



US00D660727S

(12) **United States Design Patent**  
**Parmigiani**

(10) **Patent No.:** **US D660,727 S**

(45) **Date of Patent:** **\*\* May 29, 2012**

(54) **WATCH CASE**

(75) Inventor: **Michel Parmigiani**, Fleurier (CH)

(73) Assignee: **Parmigiani Fleurier SA**, Fleurier (CH)

(\*\*) Term: **14 Years**

(21) Appl. No.: **29/408,466**

(22) Filed: **Dec. 13, 2011**

(51) **LOC (9) Cl.** ..... **10-02**

(52) **U.S. Cl.** ..... **D10/38**

(58) **Field of Classification Search** ..... D10/30-39;  
368/276, 281, 282, 294, 295, 285

See application file for complete search history.

(56) **References Cited**

**U.S. PATENT DOCUMENTS**

3,842,590	A *	10/1974	Kato	368/35
D301,693	S *	6/1989	Canta	D10/39
5,177,712	A *	1/1993	Kakizawa	368/28
5,181,190	A *	1/1993	Kanzaki	368/76
D368,664	S *	4/1996	Schick et al.	D10/39
D390,788	S *	2/1998	Parmigiani	D10/30
D397,042	S *	8/1998	Riley	D10/30
D413,071	S *	8/1999	Fichter	D10/39
5,943,299	A *	8/1999	Genta	368/28
D447,063	S *	8/2001	Scheufele	D10/30
D467,820	S *	12/2002	Berliat	D10/39

D508,653	S *	8/2005	Roden	D10/32
D525,148	S *	7/2006	Gruosi	D10/30
D552,490	S *	10/2007	Laucella	D10/31
D616,767	S *	6/2010	Laucella	D10/39

\* cited by examiner

*Primary Examiner* — Lucy Lieberman

(74) *Attorney, Agent, or Firm* — Clifford W. Browning;  
Krieg DeVault LLP

(57) **CLAIM**

The ornamental design for a watch case, as shown and described.

**DESCRIPTION**

FIG. 1 is a top and rear perspective view of the watch case of the present invention.

FIG. 2 is a top and front perspective view of the watch case of FIG. 1.

FIG. 3 is a top plan view of the watch case of FIG. 1.

FIG. 4 is a bottom plan view of the watch case of FIG. 1.

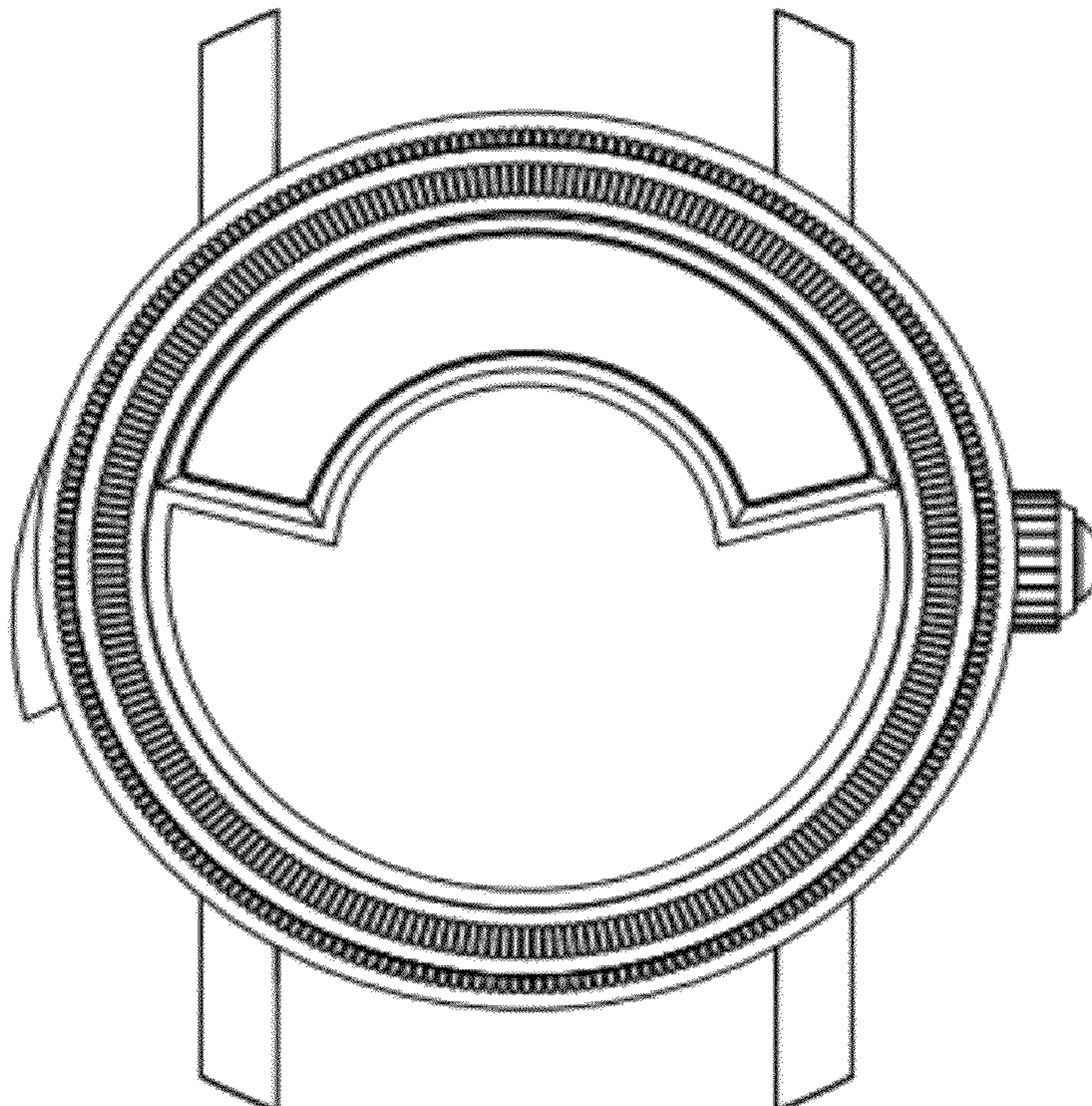
FIG. 5 is a right side elevational view of the watch case of FIG. 1.

FIG. 6 is a front elevational view of the watch case of FIG. 1.

FIG. 7 is a left side elevational view of the watch case of FIG. 1; and,

FIG. 8 is a rear elevational view of the watch case of FIG. 1.

**1 Claim, 2 Drawing Sheets**



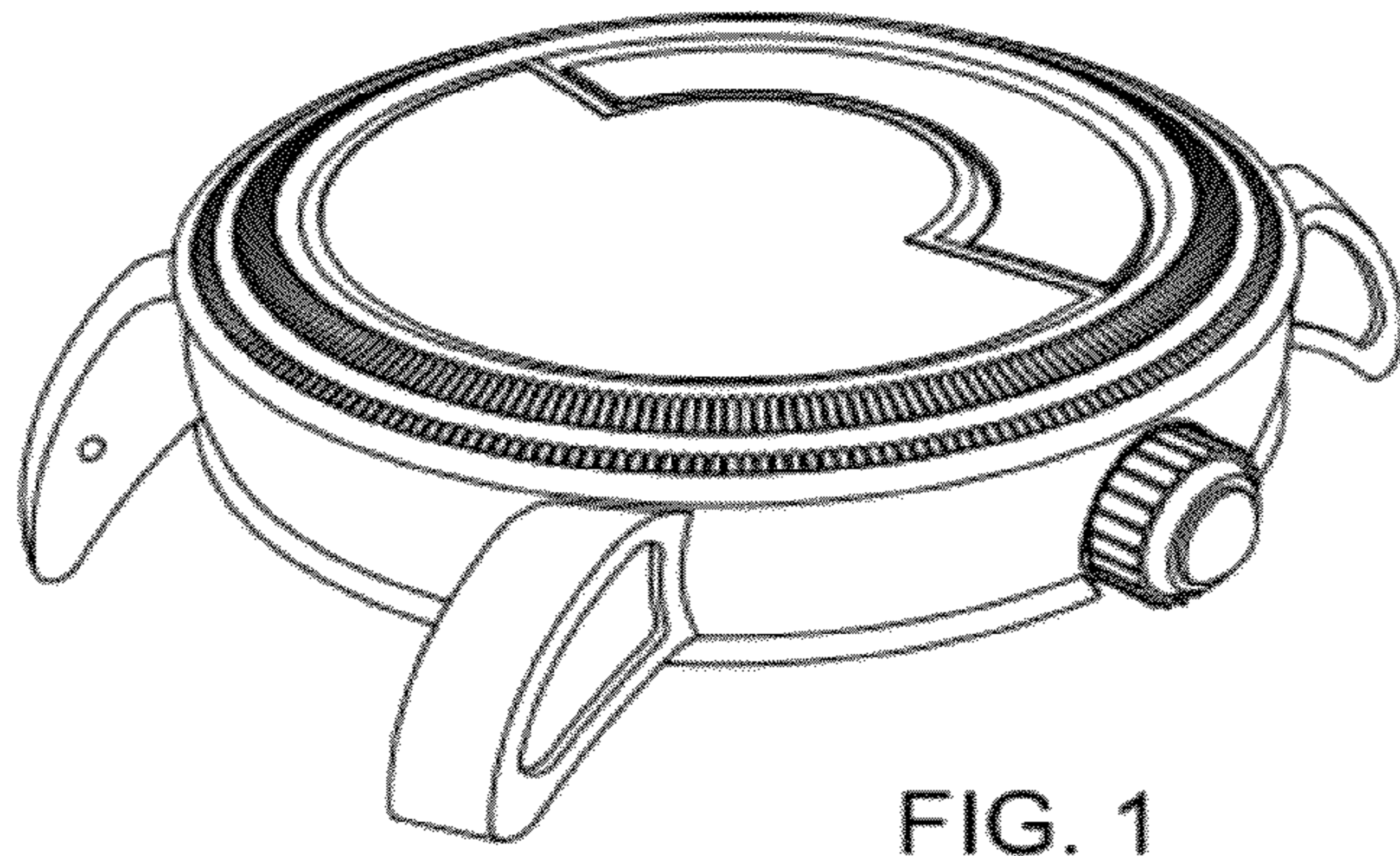


FIG. 1

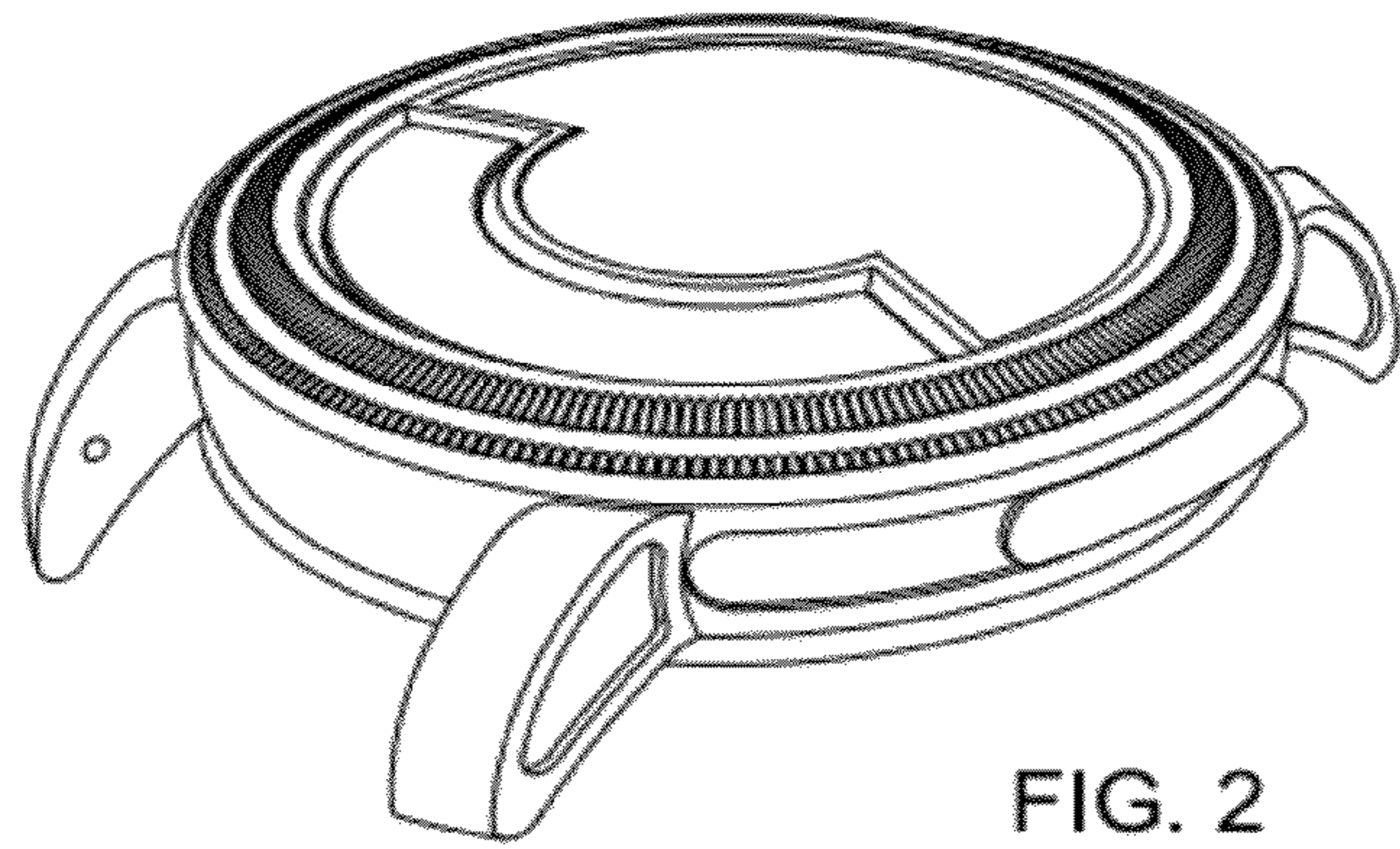


FIG. 2

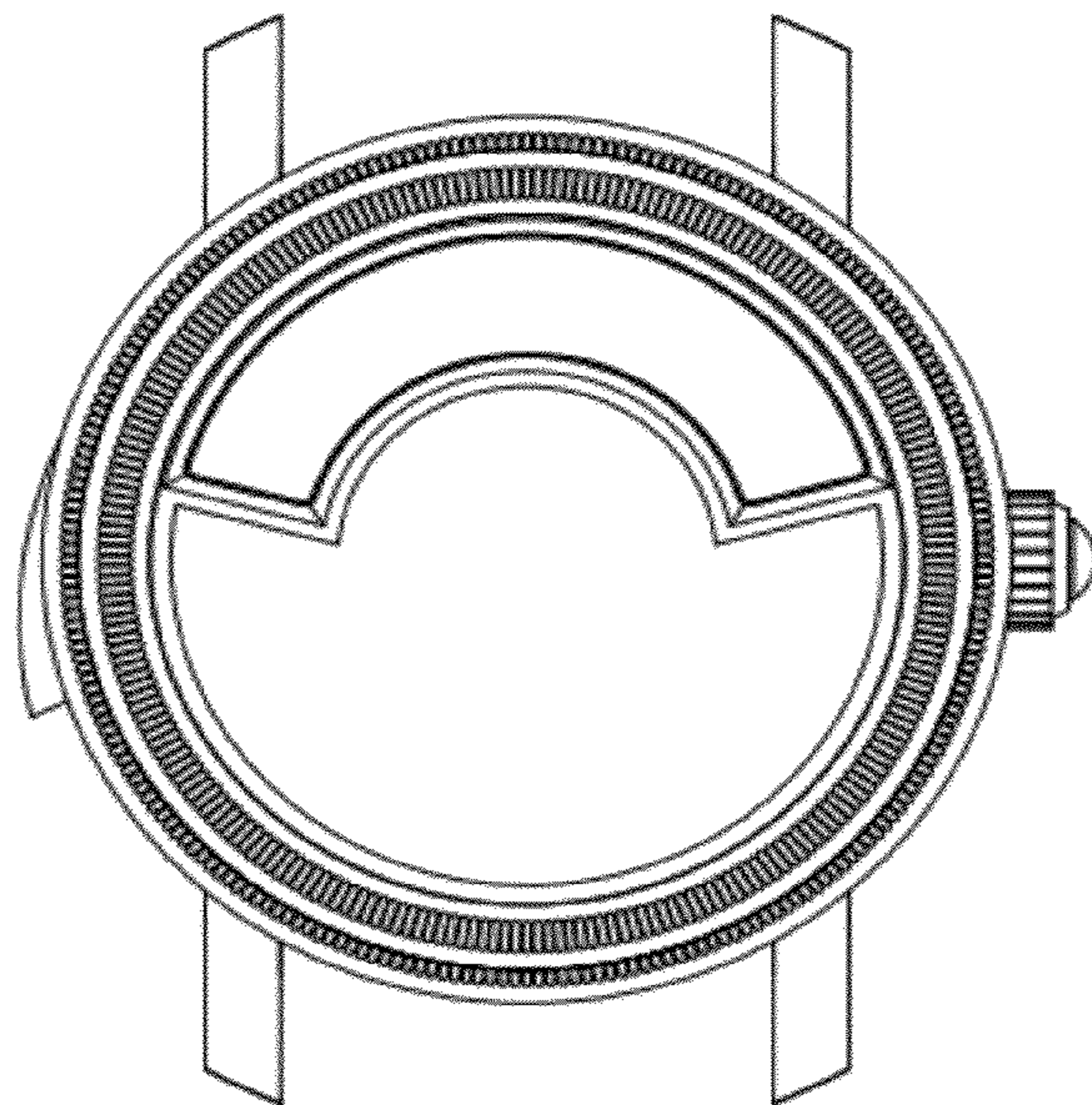


FIG. 3

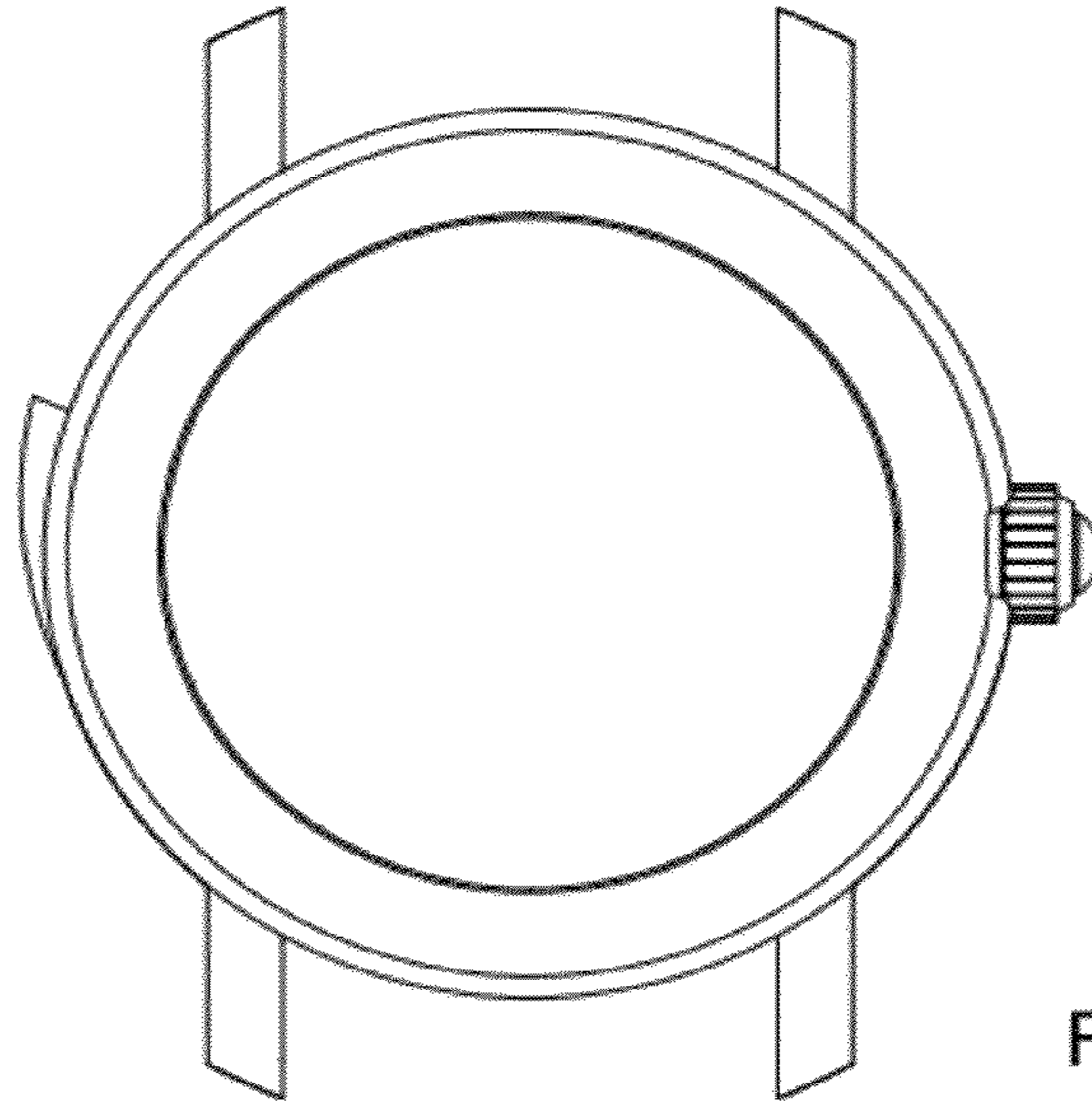


FIG. 4

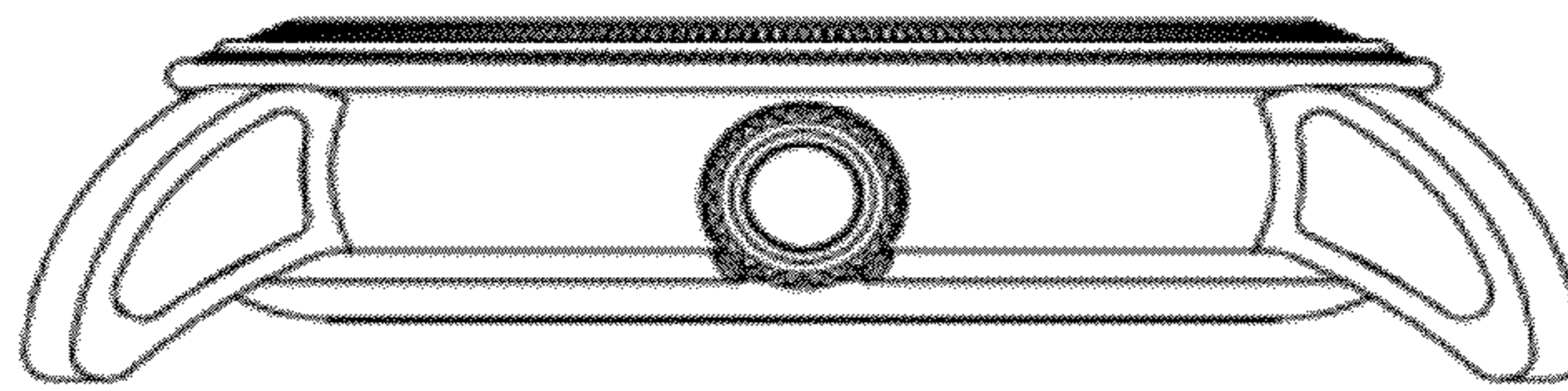


FIG. 5

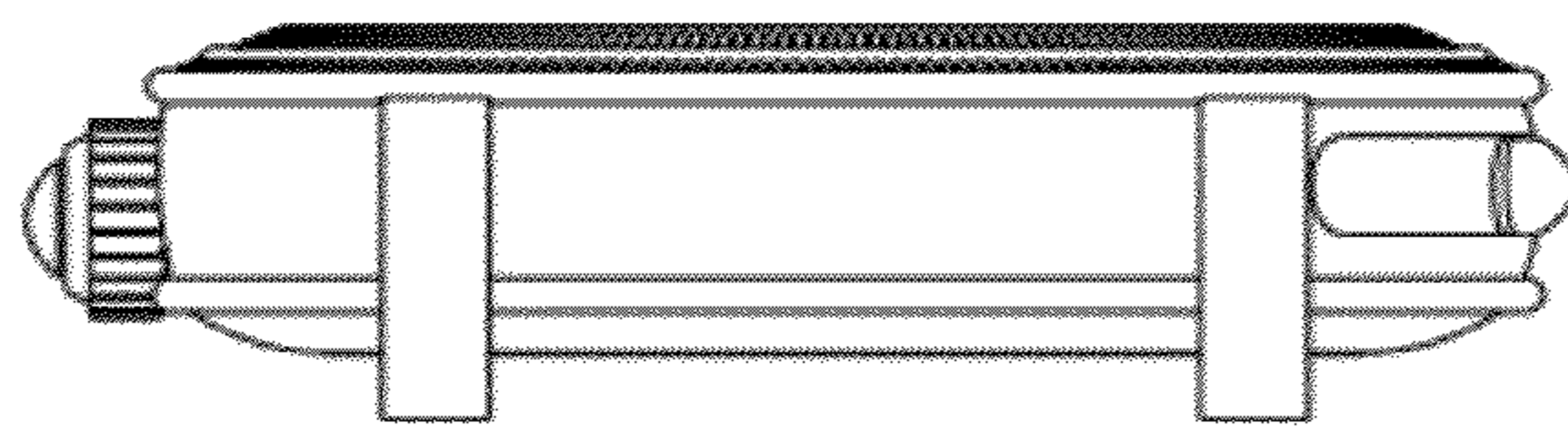


FIG. 6

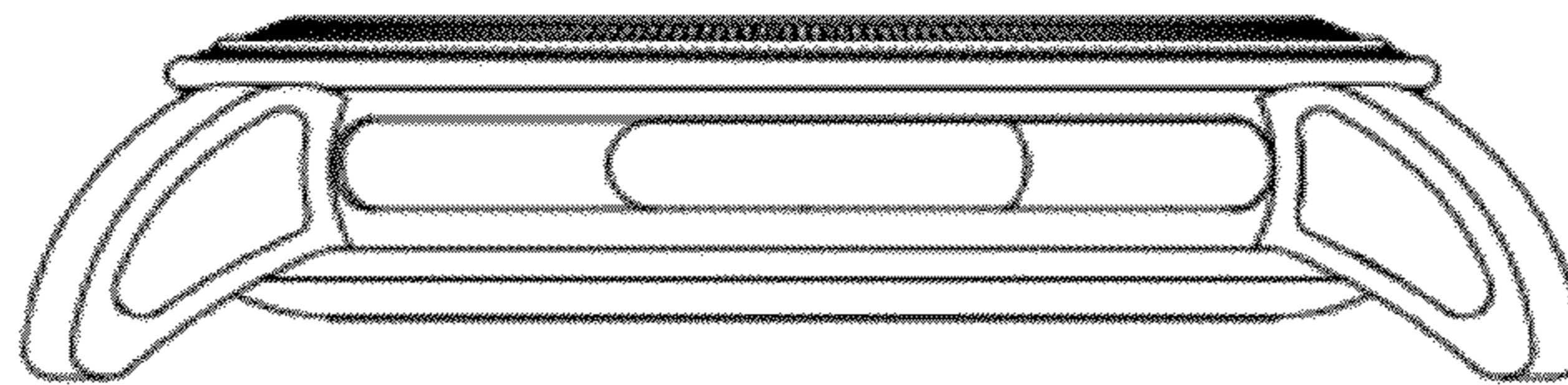


FIG. 7

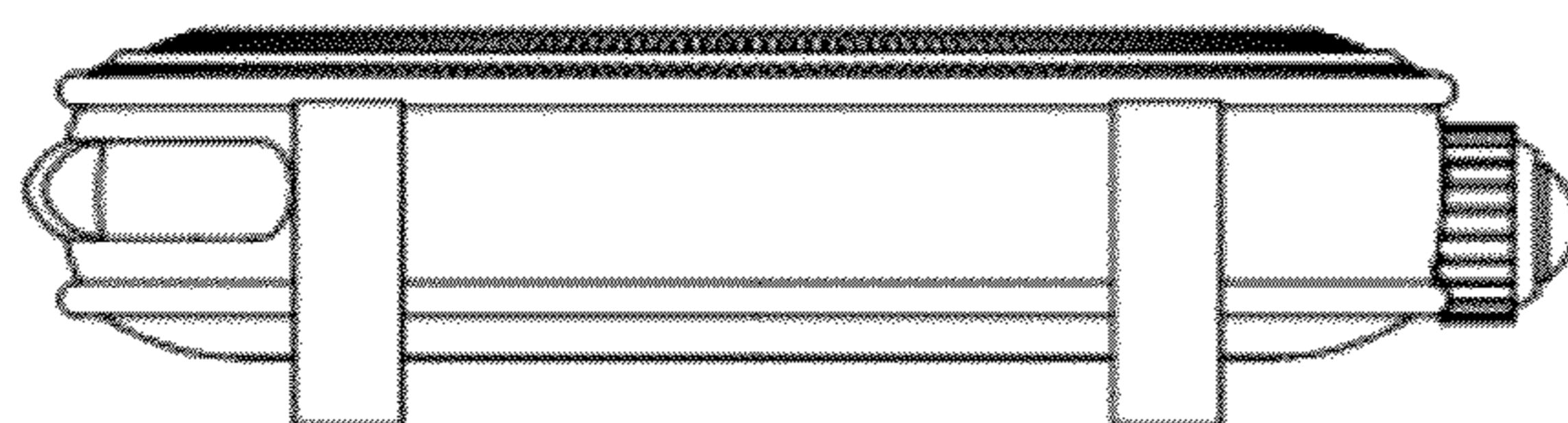


FIG. 8