



US00D660726S

(12) **United States Design Patent**  
**Register et al.**

(10) **Patent No.:** **US D660,726 S**

(45) **Date of Patent:** **\*\* May 29, 2012**

(54) **WATCH DEVICE**

(75) Inventors: **Todd P. Register**, Olathe, KS (US);  
**Jonathan R. Hosler**, Overland Park, KS  
(US); **Thomas A. Bondurant**, Fort  
Collins, CO (US); **Brian M. Sandefur**,  
Lawrence, KS (US); **Thomas J.**  
**Vehlewald**, Olathe, KS (US)

D331,021 S	11/1992	Ishii et al.	.....	D10/31
D355,610 S	2/1995	Sugita	.....	D10/31
D363,234 S	10/1995	Morishima et al.	.....	D10/38
D370,639 S	6/1996	Morishima et al.	.....	D10/38
D390,789 S	2/1998	Sugita et al.	.....	D10/30
D396,416 S *	7/1998	Sugita et al.	.....	D10/30
D401,159 S *	11/1998	Sugita et al.	.....	D10/30
D452,008 S	12/2001	Komulainen	.....	D24/167
D472,476 S *	4/2003	Ramos et al.	.....	D10/30

(Continued)

(73) Assignee: **Garmin Switzerland GmbH** (CH)

(\*\*) Term: **14 Years**

(21) Appl. No.: **29/407,706**

(22) Filed: **Dec. 1, 2011**

(51) **LOC (9) Cl.** ..... **10-02**

(52) **U.S. Cl.** ..... **D10/38**

(58) **Field of Classification Search** ..... D10/30-39;  
368/276, 281, 282, 239-242, 82-84  
See application file for complete search history.

(56) **References Cited**

**U.S. PATENT DOCUMENTS**

4,051,662 A	10/1977	O'Connor et al.	.....	368/29
4,180,969 A	1/1980	Naito	.....	368/21
D261,112 S	10/1981	Fukumura	.....	D10/38
D261,113 S	10/1981	Fukumura	.....	D10/39
D263,452 S	3/1982	Wada	.....	D10/38
D264,187 S *	5/1982	Suzuki	.....	D10/38
D265,063 S *	6/1982	Iida	.....	D10/38
D265,295 S	7/1982	Wada	.....	D10/38
D266,230 S *	9/1982	Tsukahara	.....	D10/38
D266,491 S	10/1982	Abe	.....	D10/39
4,398,834 A	8/1983	Wakai	.....	368/223
D293,892 S *	1/1988	Ichikawa	.....	D10/38
D303,769 S	10/1989	Ando	.....	D10/38
D331,020 S	11/1992	Ishii et al.	.....	D10/31

**OTHER PUBLICATIONS**

U.S. Appl. No. 29/299,704, filed Jan. 2, 2008.

(Continued)

*Primary Examiner* — Lucy Lieberman

(74) *Attorney, Agent, or Firm* — Samuel M. Korte

(57) **CLAIM**

The ornamental design for a watch device, as shown and described.

**DESCRIPTION**

FIG. 1 is a front perspective view of a watch device showing our new design;

FIG. 2 is a rear perspective view of the watch device;

FIG. 3 is a top view of the watch device;

FIG. 4 is a front view of the watch device;

FIG. 5 is a rear view of the watch device;

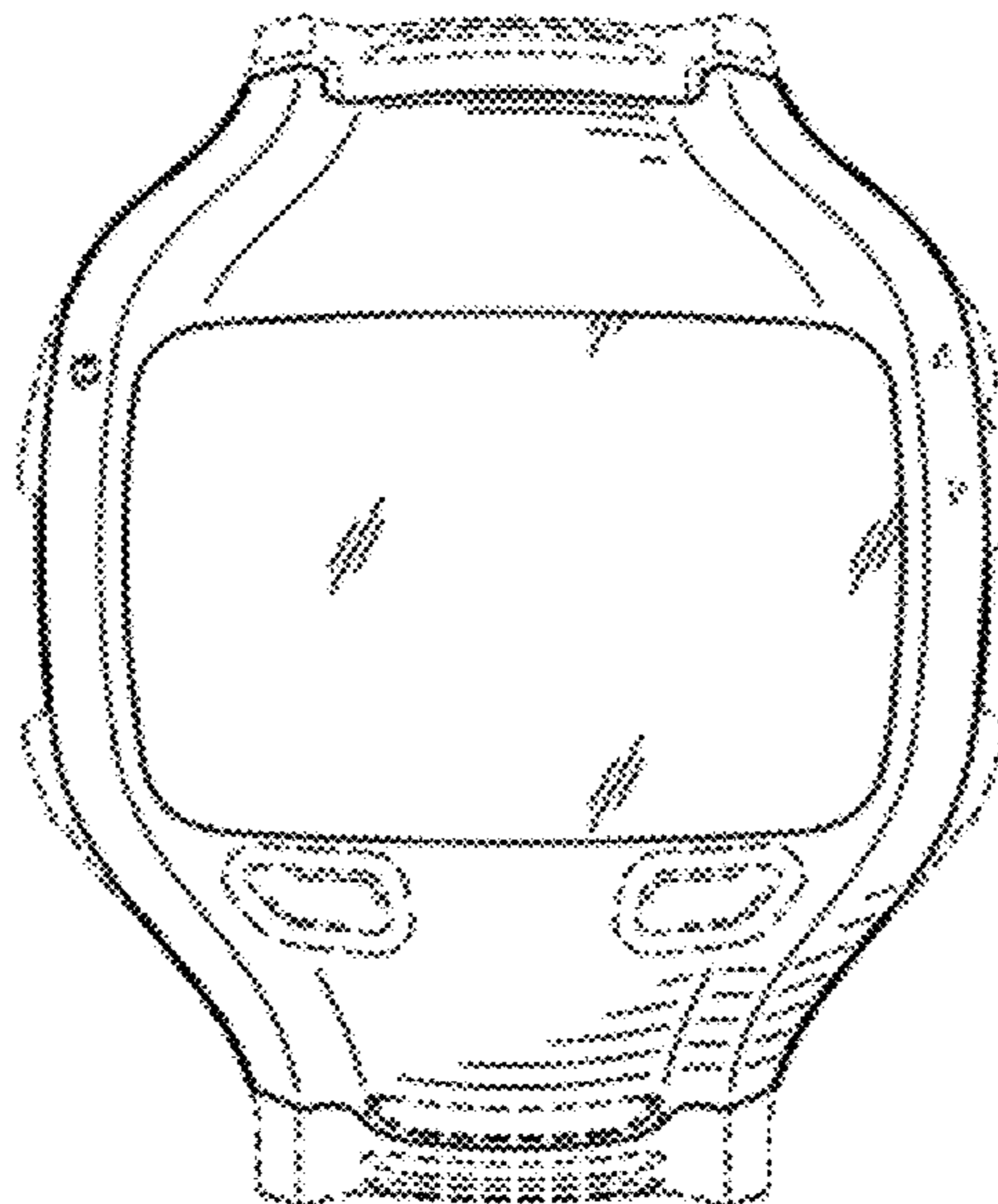
FIG. 6 is a bottom view of the watch device;

FIG. 7 is a right side view of the watch device; and,

FIG. 8 is a left side view of the watch device.

Portions of FIGS. 1 through 8 are shown in dashed lines for illustrative purposes only and form no part of the claimed design.

**1 Claim, 4 Drawing Sheets**



# US D660,726 S

Page 2

---

## U.S. PATENT DOCUMENTS

D472,820 S \* 4/2003 Ditullo et al. .... D10/30  
D516,440 S \* 3/2006 Yan ..... D10/32  
D518,742 S \* 4/2006 Yan ..... D10/32  
D527,285 S \* 8/2006 Burton ..... D10/38  
D527,657 S 9/2006 Wilcox et al. .... D10/38  
D549,602 S 8/2007 Oberrieder et al. .... D10/65  
D550,101 S \* 9/2007 Umebayashi et al. .... D10/32  
D550,105 S 9/2007 Oberrieder et al. .... D10/65  
D551,094 S 9/2007 Yan ..... D10/32  
D551,573 S \* 9/2007 Yan ..... D10/32

D560,520 S 1/2008 Oberrieder et al. .... D10/65  
7,398,151 B1 7/2008 Burrell et al. .... 701/200  
D596,510 S 7/2009 Register et al. .... D10/38  
D610,922 S 3/2010 Lammers-Meis et al. .... D10/32

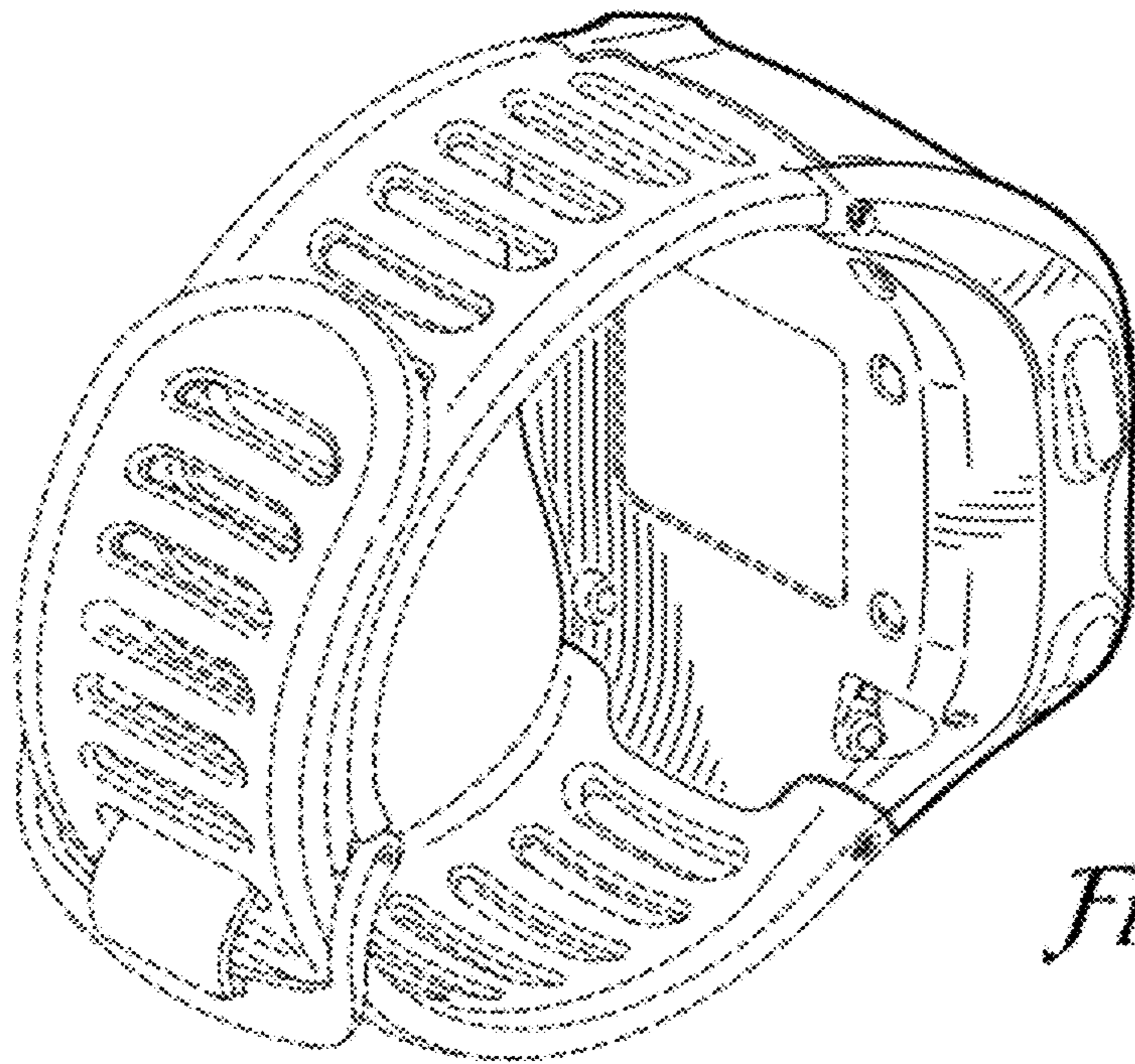
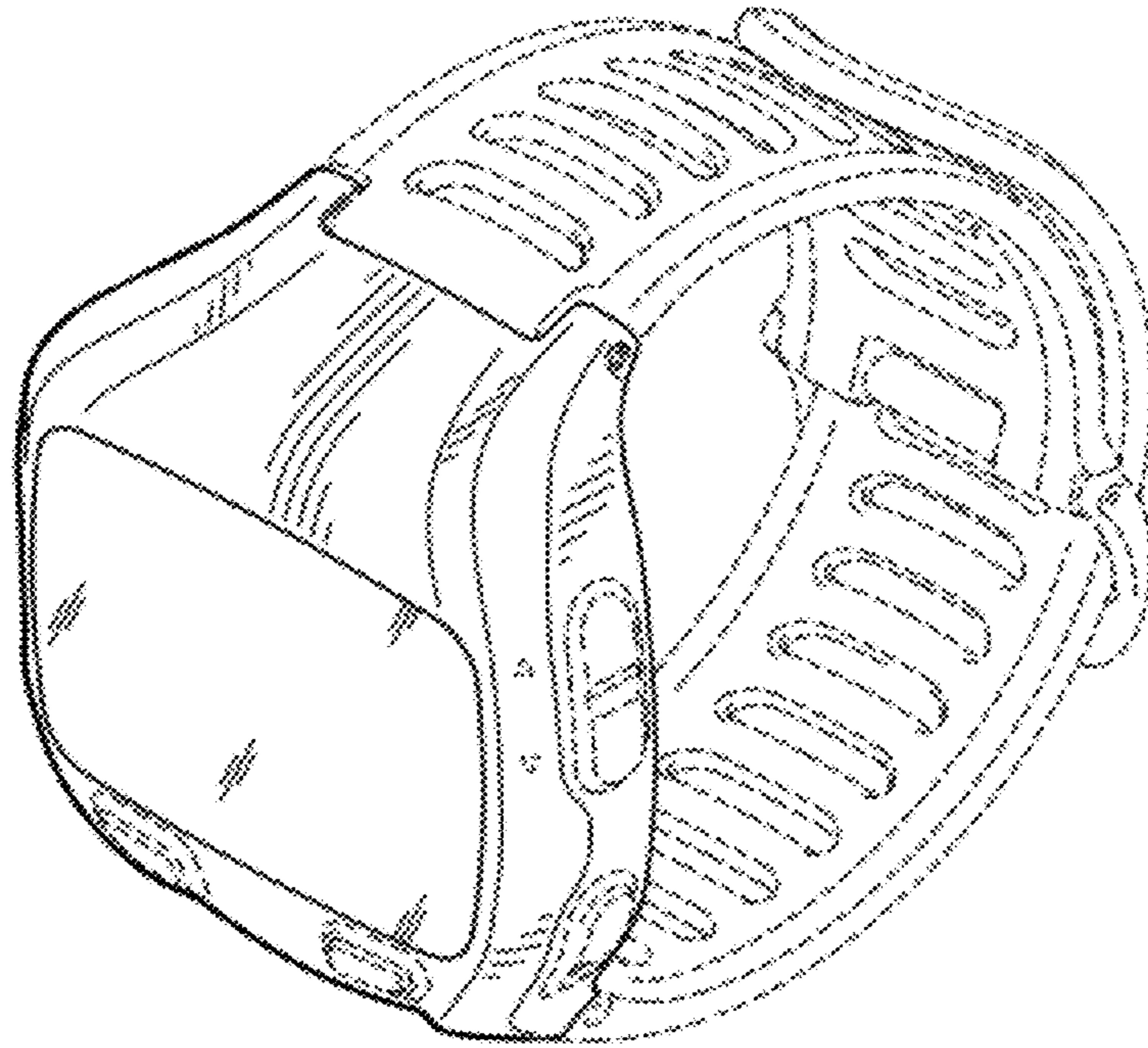
## OTHER PUBLICATIONS

U.S. Appl. No. 29/357,449, filed Mar. 12, 2010.

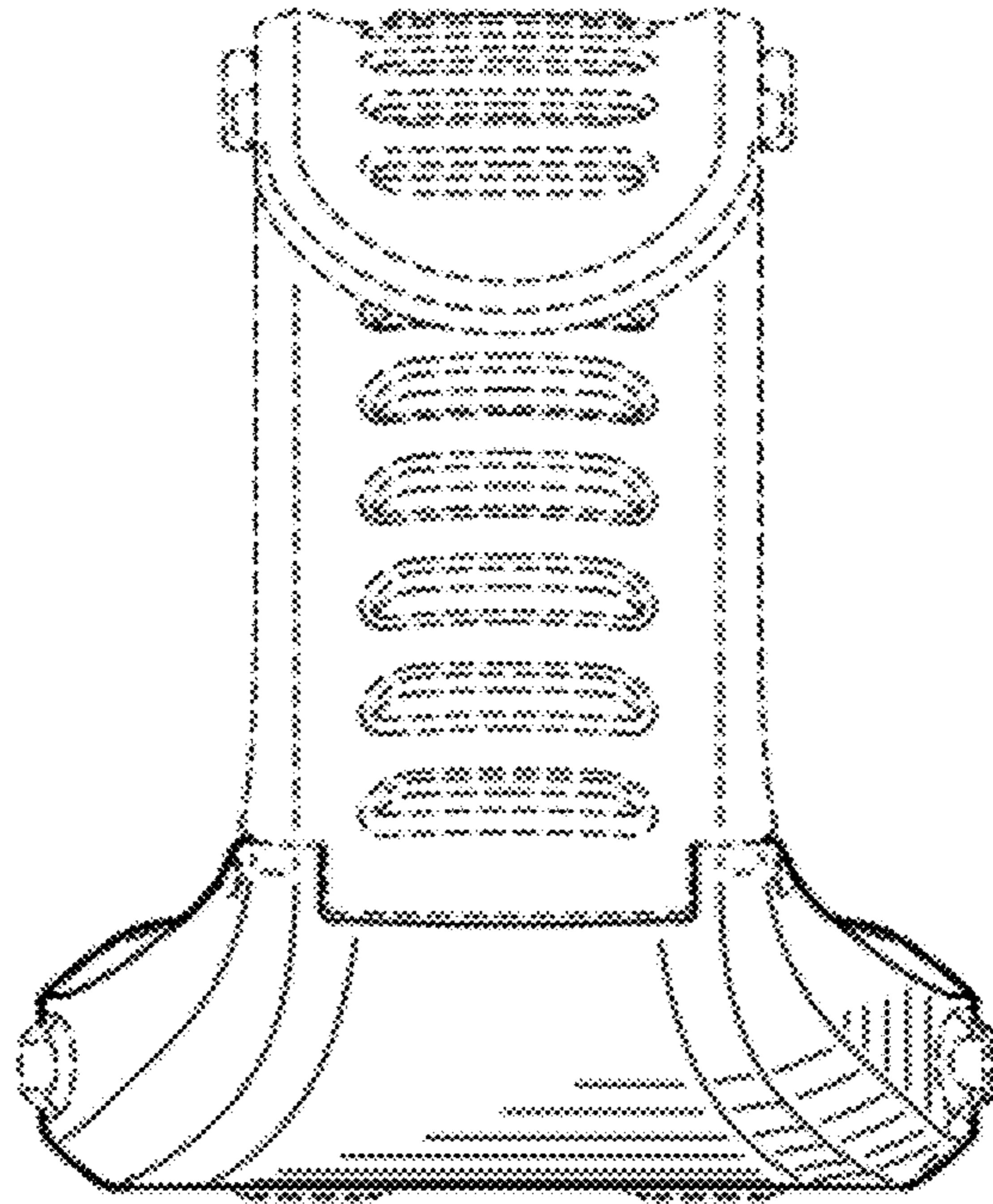
U.S. Appl. No. 29/389,061, filed Apr. 6, 2011.

\* cited by examiner

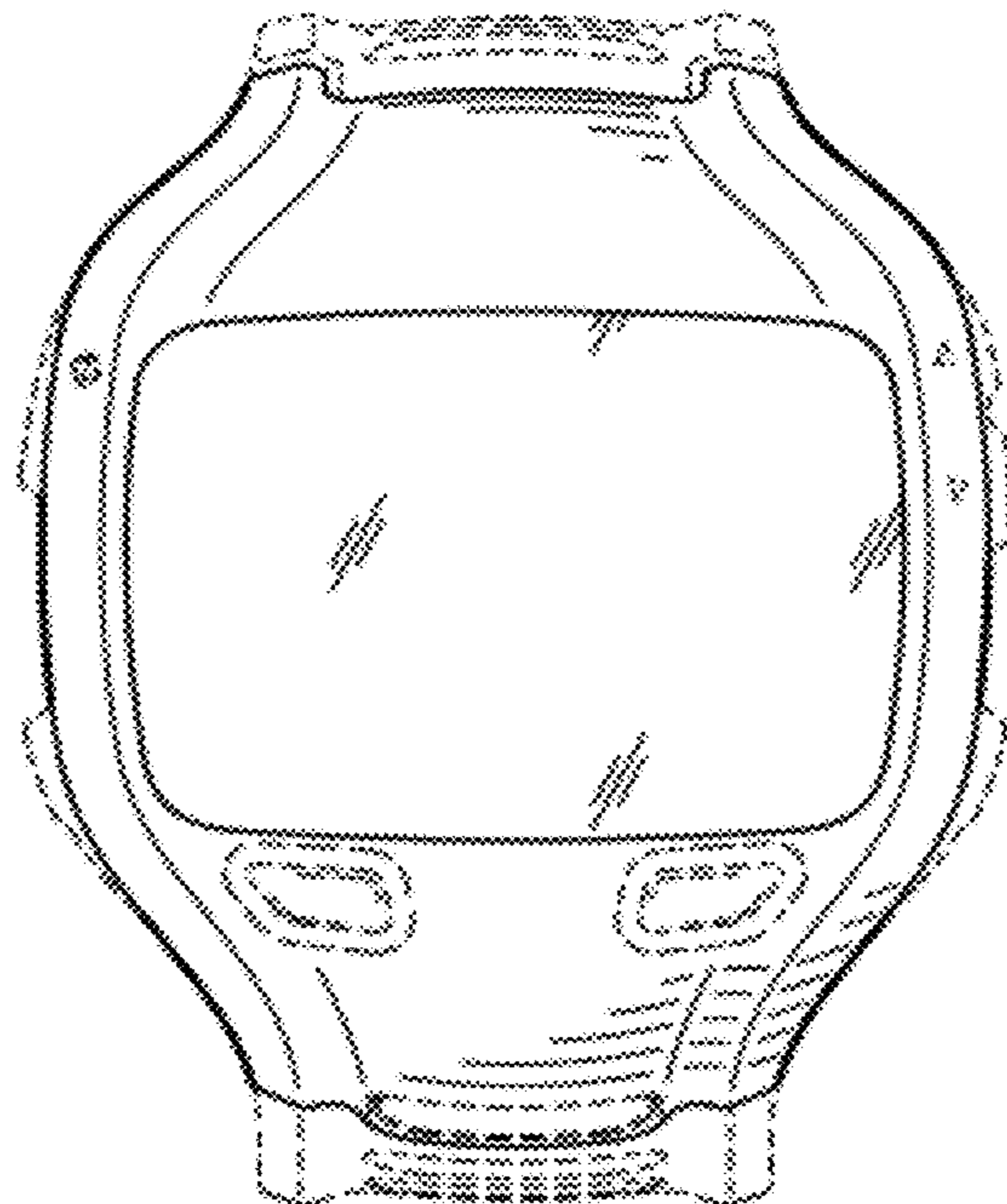
*Fig. 1*



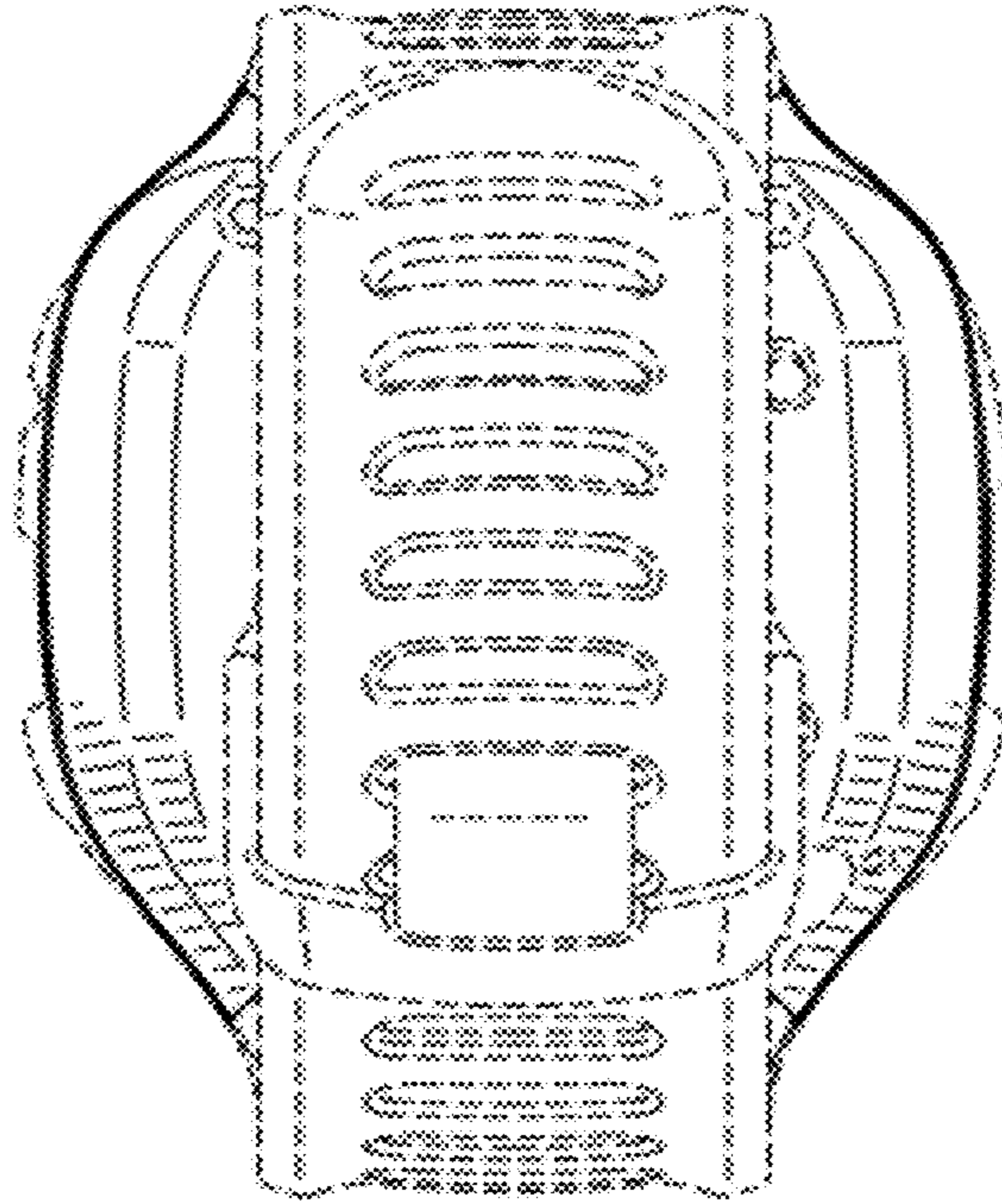
*Fig. 2*



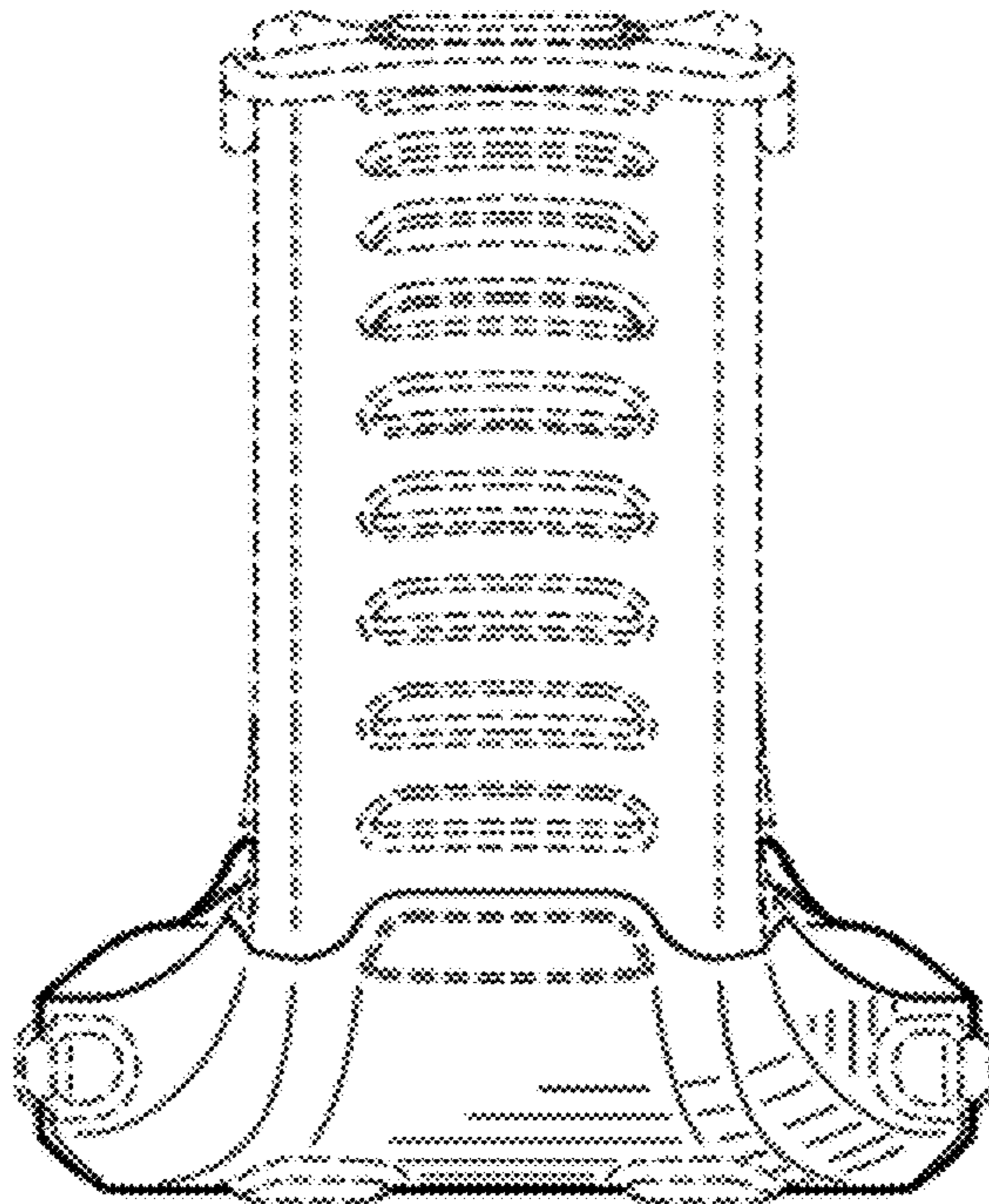
*Fig. 3*



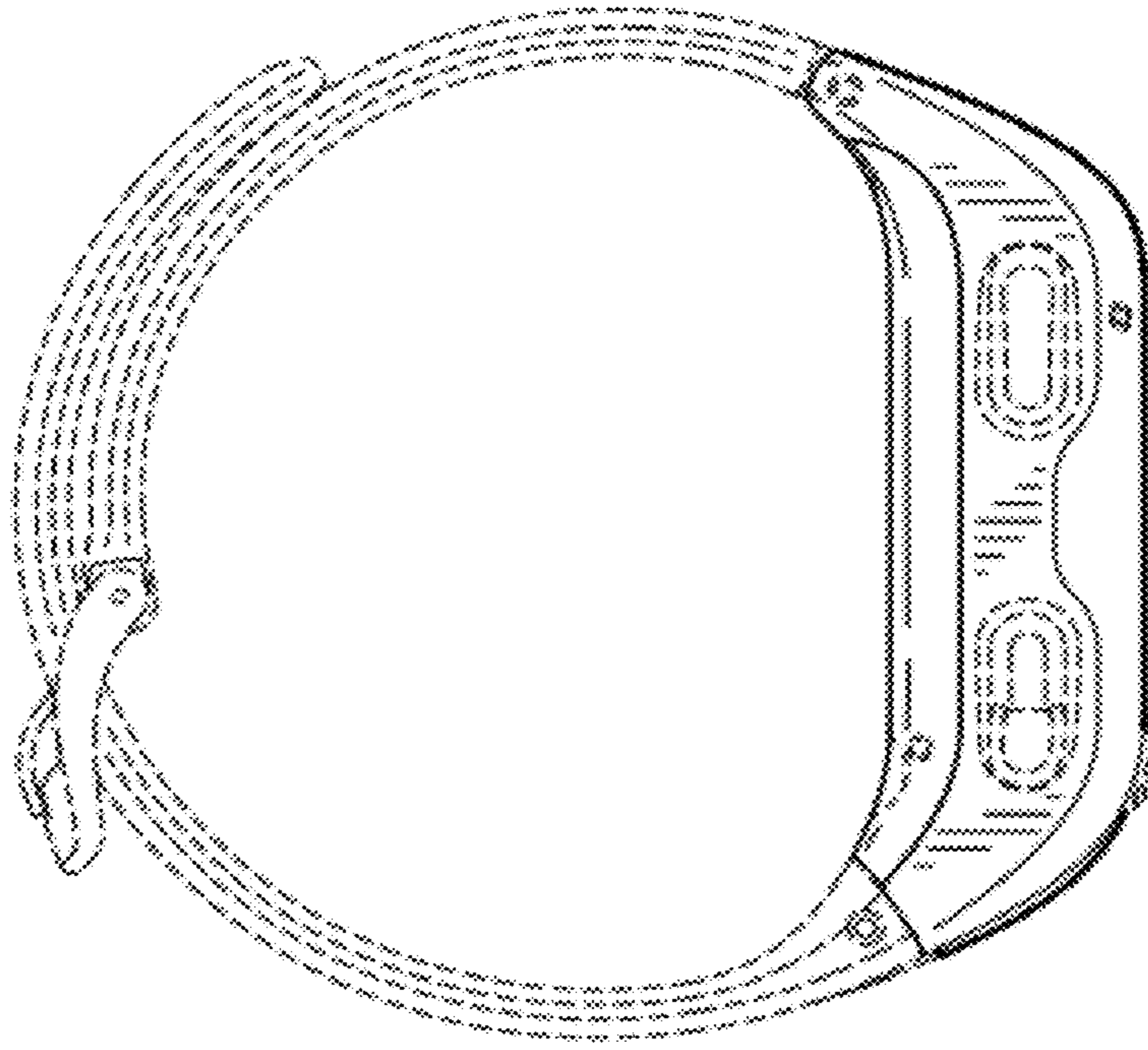
*Fig. 4*



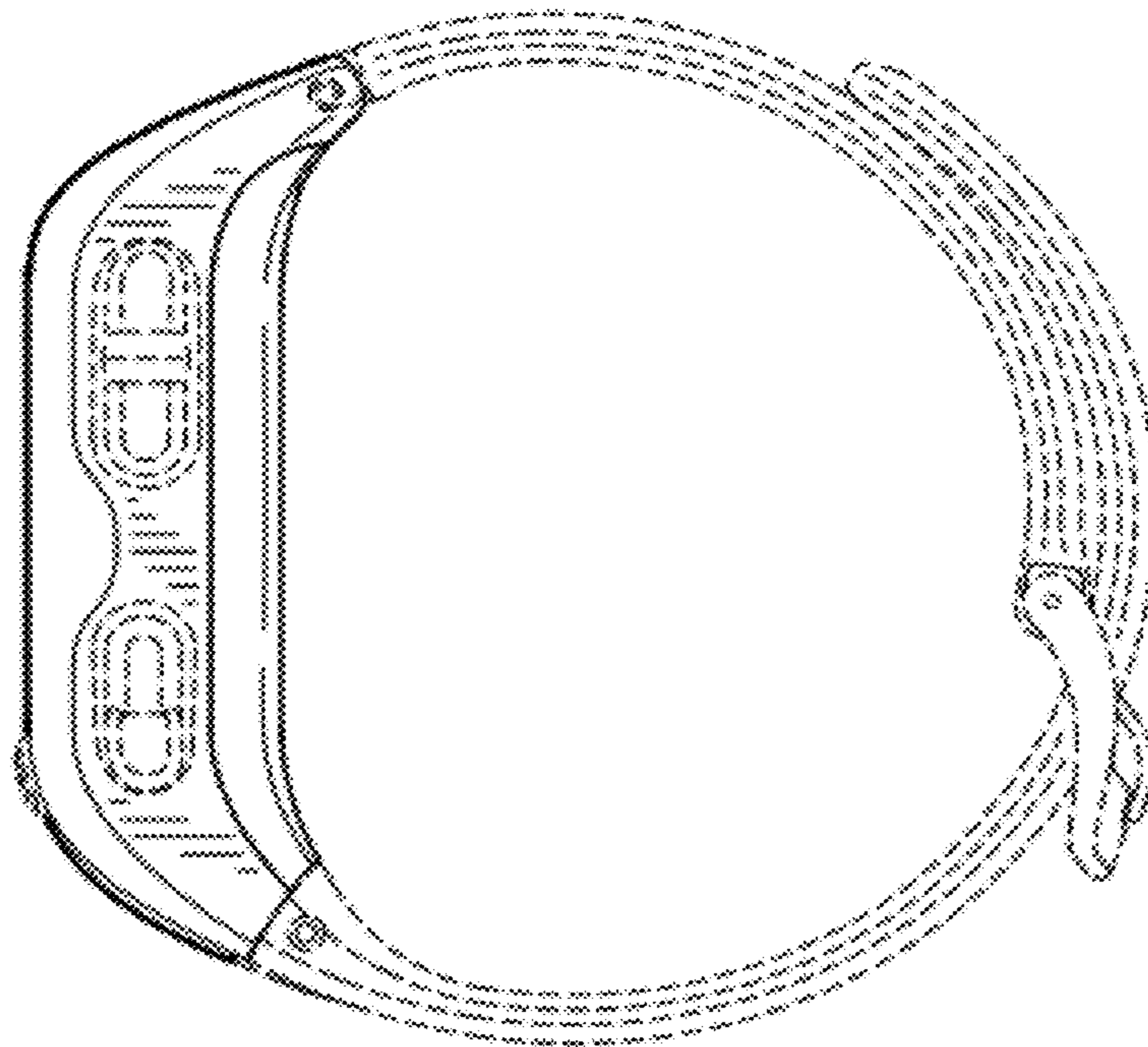
*Fig. 5*



*Fig. 6*



*Fig. 7*



*Fig. 8*