



US00D660721S

(12) **United States Design Patent**
Kim

(10) **Patent No.:** **US D660,721 S**

(45) **Date of Patent:** **** May 29, 2012**

(54) **SHIRT AND TIES ARRANGED IN A BOX**

(75) Inventor: **Cin Kim**, Alpine, NJ (US)

(73) Assignee: **Peacock Apparel Group, Inc.**, New York, NY (US)

(**) Term: **14 Years**

(21) Appl. No.: **29/326,598**

(22) Filed: **Oct. 21, 2008**

(51) **LOC (9) Cl.** **09-01**

(52) **U.S. Cl.** **D9/721; D9/715; D9/414**

(58) **Field of Classification Search** D9/414,
D9/715, 721; D2/605, 607, 840, 847, 849;
206/769-772; 229/87.15, 160, 161, 107,
229/120.02, 120.06, 12.08

See application file for complete search history.

(56) **References Cited**

U.S. PATENT DOCUMENTS

698,266	A	4/1902	Elliott	
1,189,322	A *	7/1916	Way	206/771
1,862,353	A	6/1932	Allison	
2,063,255	A	12/1936	Madsen et al.	
2,233,207	A	2/1941	Gillam	
3,043,494	A	7/1962	Moore	
3,066,792	A	12/1962	Spilman	
3,346,881	A	10/1967	Mathison	
3,363,264	A	1/1968	Mathison	
3,511,364	A	5/1970	Airido	
3,670,881	A	6/1972	Dutcher	
4,046,253	A	9/1977	Weaver	
4,173,792	A	11/1979	Intengan	
4,182,224	A	1/1980	Dutcher	
D261,479	S	10/1981	Marks	
4,762,272	A	8/1988	Herrin	
4,856,709	A	8/1989	Axelsson et al.	
4,933,991	A	6/1990	Love	
D337,269	S *	7/1993	Grieco	D9/418
D339,523	S *	9/1993	Bennett	D9/418
D343,356	S	1/1994	Wittman	
D346,960	S *	5/1994	Bennett	D9/418
5,316,139	A	5/1994	Judd et al.	
D349,181	S	8/1994	Cheng	

5,499,484	A	3/1996	Herrin
D368,588	S	4/1996	Goraleski et al.
5,549,243	A	8/1996	Dorier et al.
5,673,434	A	10/1997	Risk
D390,339	S	2/1998	Dipietro
6,041,998	A	3/2000	Goldberg et al.
6,142,365	A	11/2000	Breitbach
6,460,189	B1	10/2002	Welch
D492,595	S	7/2004	Chang
7,096,509	B2	8/2006	Kim

(Continued)

OTHER PUBLICATIONS

U.S. Appl. No. 12/171,574, filed Jul. 11, 2008, Kim.

(Continued)

Primary Examiner — Dominic Simone

(74) *Attorney, Agent, or Firm* — Leason Ellis LLP

(57) **CLAIM**

The ornamental design for a shirt and ties arranged in a box, as shown and described.

DESCRIPTION

FIG. 1 is a top, front and side perspective view of a shirt and ties arranged in a box showing my new design according to a first arrangement;

FIG. 2 is a top plan view thereof;

FIG. 3 is a front elevation view thereof;

FIG. 4 is a rear elevation view thereof;

FIG. 5 is a bottom plan view thereof;

FIG. 6 is a top, front and side perspective view of a shirt and ties arranged in a box showing my new design according to a second arrangement;

FIG. 7 is a top plan view thereof;

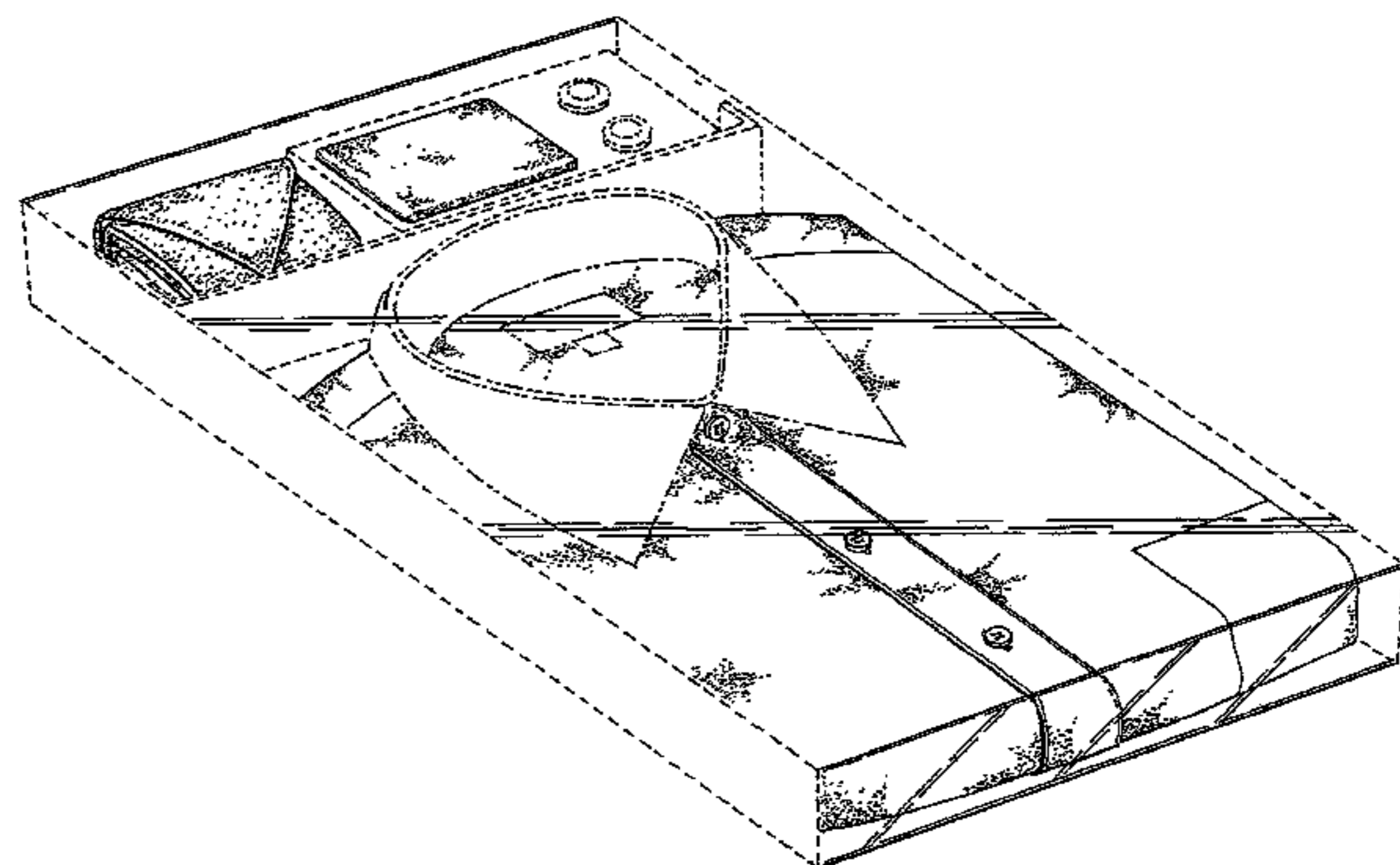
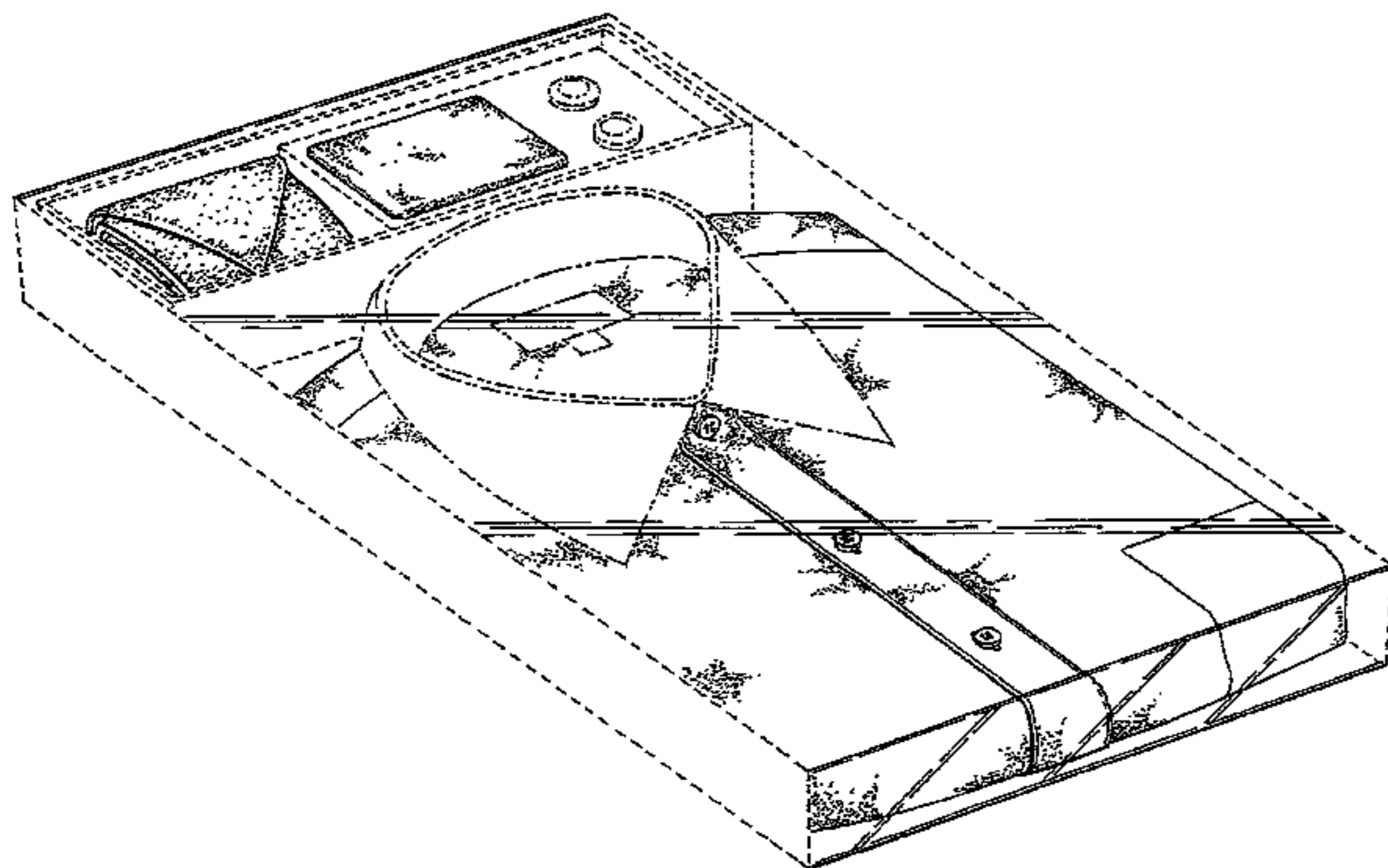
FIG. 8 is a front elevation view thereof;

FIG. 9 is a rear elevation view thereof; and,

FIG. 10 is a bottom plan view thereof.

The broken lines of FIGS. 1-10 are for illustrative purposes only and form no part of the claimed design. All sides not shown form no part of the claimed design.

1 Claim, 6 Drawing Sheets



US D660,721 S

Page 2

U.S. PATENT DOCUMENTS

7,114,220 B2 10/2006 Kim
D546,674 S 7/2007 Limber
D553,495 S 10/2007 Vandecasteele et al.
7,310,857 B2 12/2007 Kim
D565,965 S * 4/2008 Kim D9/721
D565,966 S * 4/2008 Kim D9/721
D574,722 S * 8/2008 Kim D9/721
D574,723 S * 8/2008 Kim D9/721
D574,724 S * 8/2008 Kim D9/721
D574,725 S * 8/2008 Kim D9/721
D574,726 S * 8/2008 Kim D9/721
D574,727 S * 8/2008 Kim D9/721
D574,728 S * 8/2008 Kim D9/721
D574,729 S * 8/2008 Kim D9/721
D574,730 S * 8/2008 Kim D9/721
D589,364 S * 3/2009 Kim D9/721
D589,365 S * 3/2009 Kim D9/721
D589,366 S * 3/2009 Kim D9/721
D589,367 S * 3/2009 Kim D9/721
D590,724 S * 4/2009 Kim D9/721
D593,872 S * 6/2009 Kim D9/721
D593,873 S * 6/2009 Kim D9/721

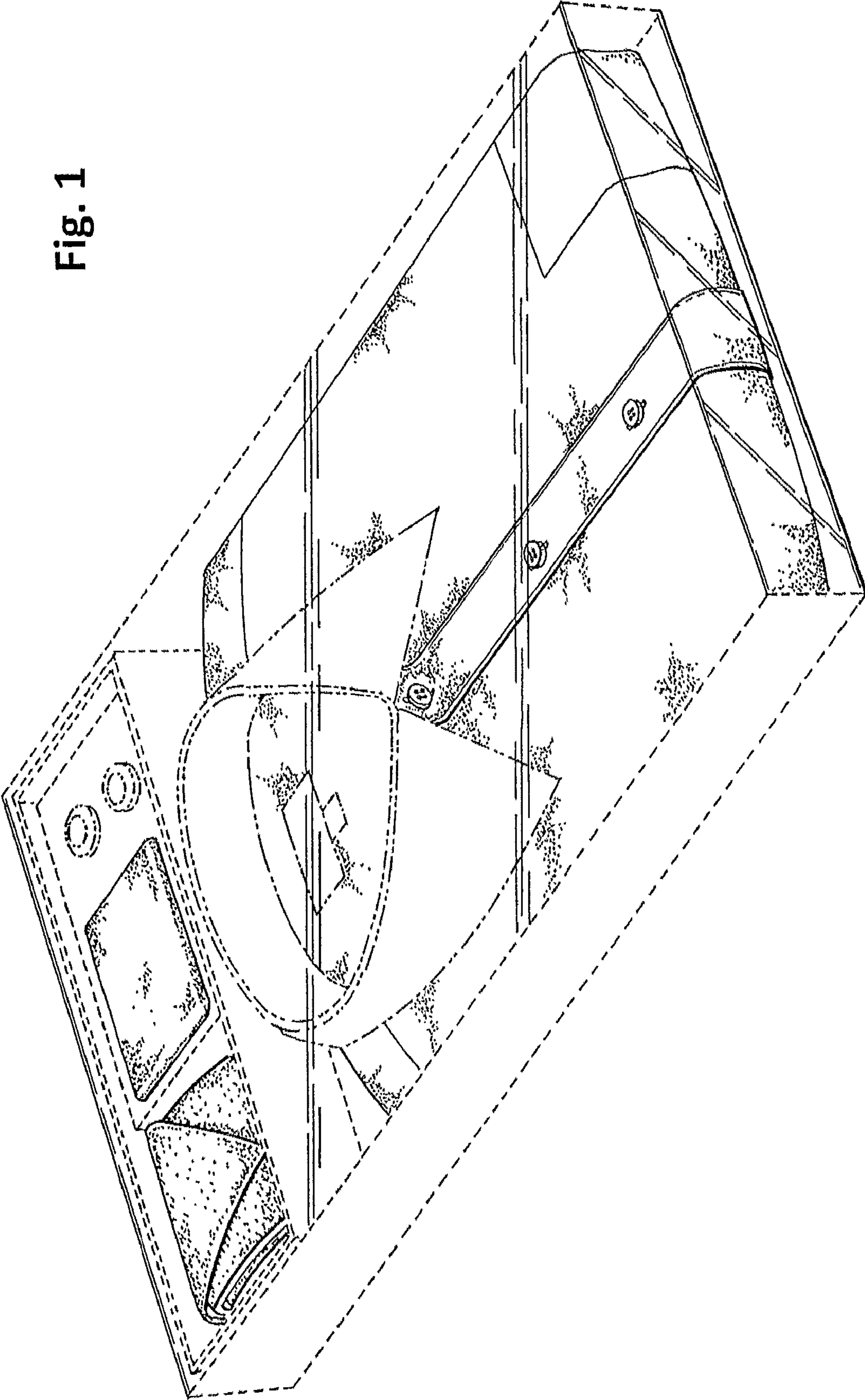
D595,151 S * 6/2009 Kim D9/721
D606,883 S * 12/2009 Kim D9/721
D608,657 S * 1/2010 Kim D9/721
D626,430 S * 11/2010 Kim D9/721
2007/0062846 A1 3/2007 Kim

OTHER PUBLICATIONS

U.S. Appl. No. 29/318,152, filed May 14, 2008, Kim.
U.S. Appl. No. 29/318,279, filed May 16, 2008, Kim.
U.S. Appl. No. 29/318,283, filed May 16, 2008, Kim.
U.S. Appl. No. 29/320,041, filed Jun. 19, 2008, Kim.
U.S. Appl. No. 29/322,262, filed Jul. 31, 2008, Kim.
U.S. Appl. No. 29/322,265, filed Jul. 31, 2008, Kim.
U.S. Appl. No. 29/322,584, filed Aug. 7, 2008, Kim.
U.S. Appl. No. 29/322,588, filed Aug. 7, 2008, Kim.
U.S. Appl. No. 29/322,589, filed Aug. 7, 2008, Kim.
U.S. Appl. No. 29/326,116, filed Oct. 13, 2008, Kim.
U.S. Appl. No. 29/326,117, filed Oct. 13, 2008, Kim.
U.S. Appl. No. 29/325,195, filed Sep. 26, 2008, Kim.
U.S. Appl. No. 29/325,199, filed Sep. 26, 2006, Kim.

* cited by examiner

Fig. 1



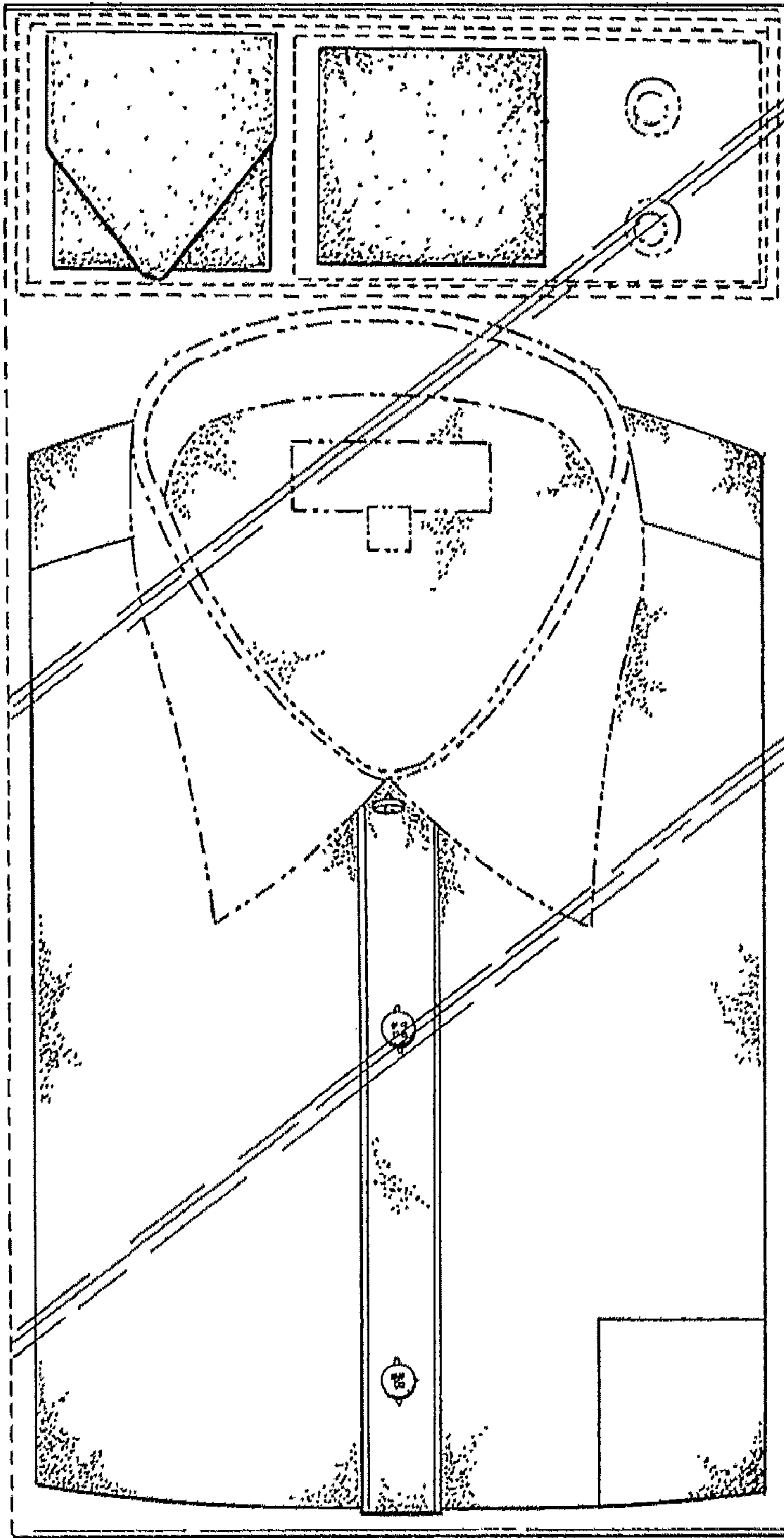


Fig. 2

Fig. 3

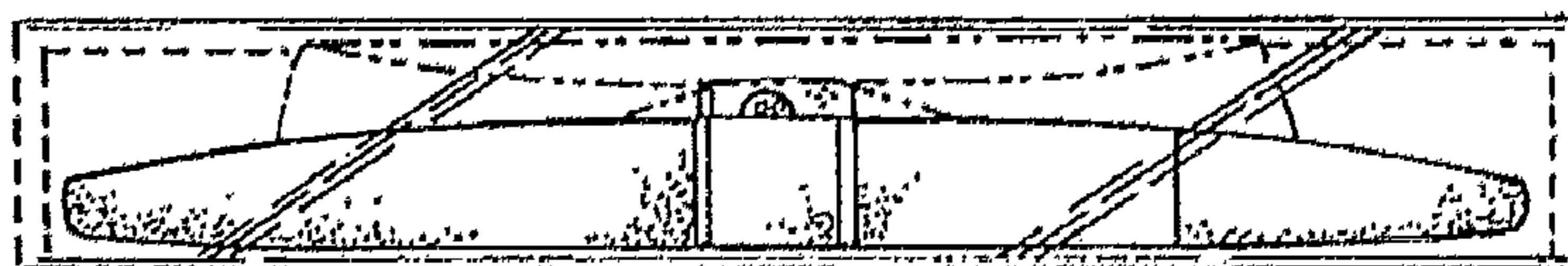


Fig. 4

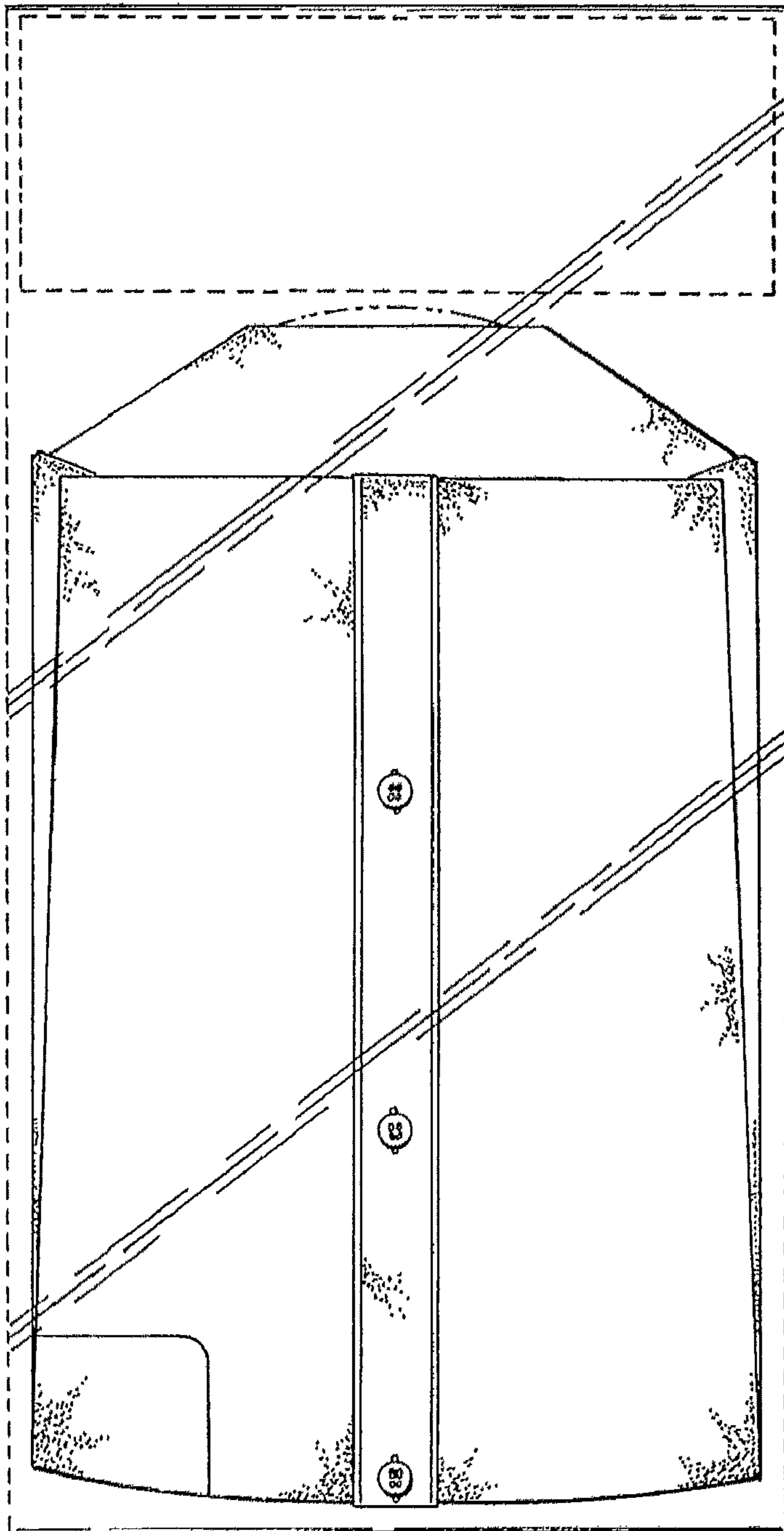
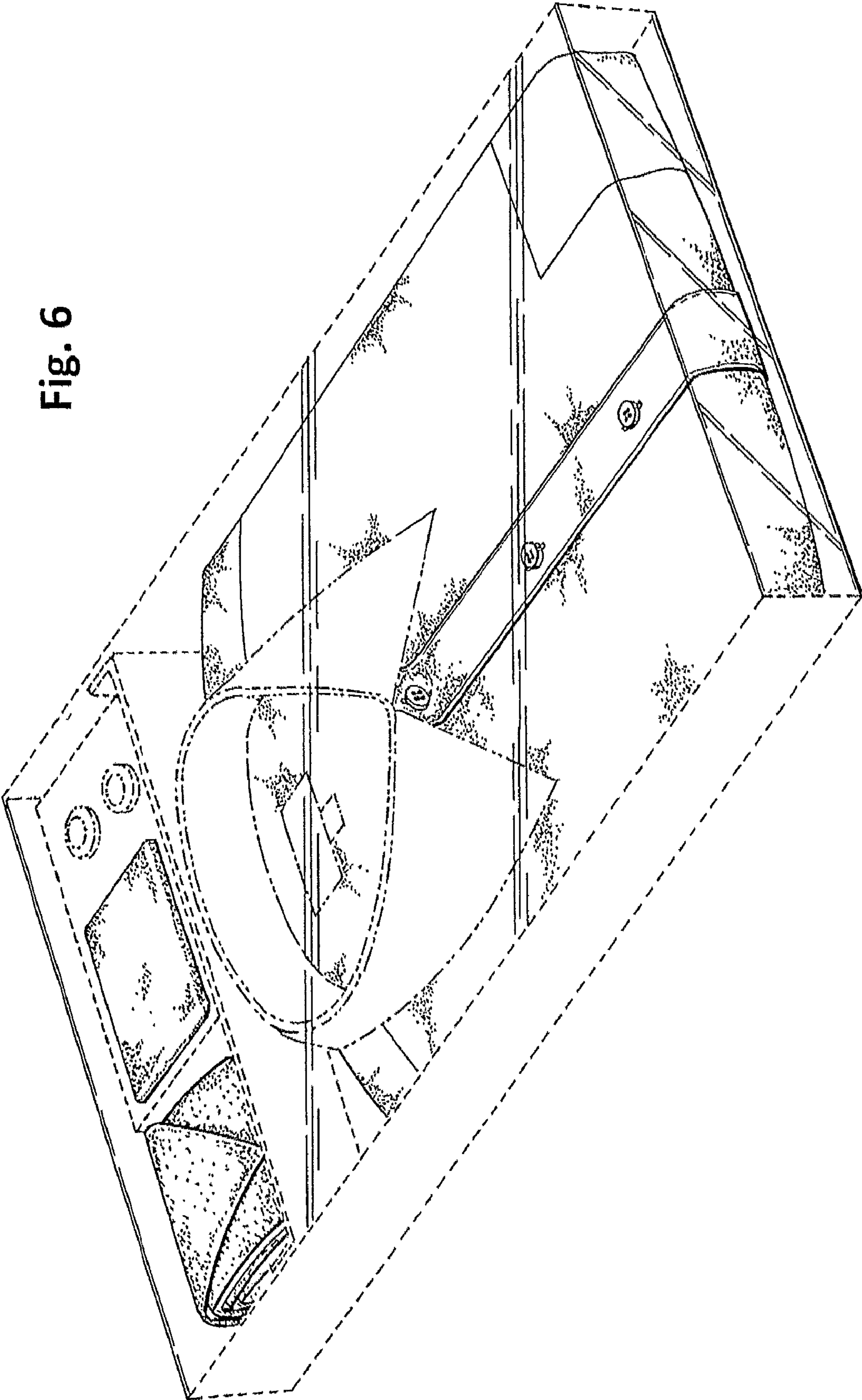


Fig. 5

Fig. 6



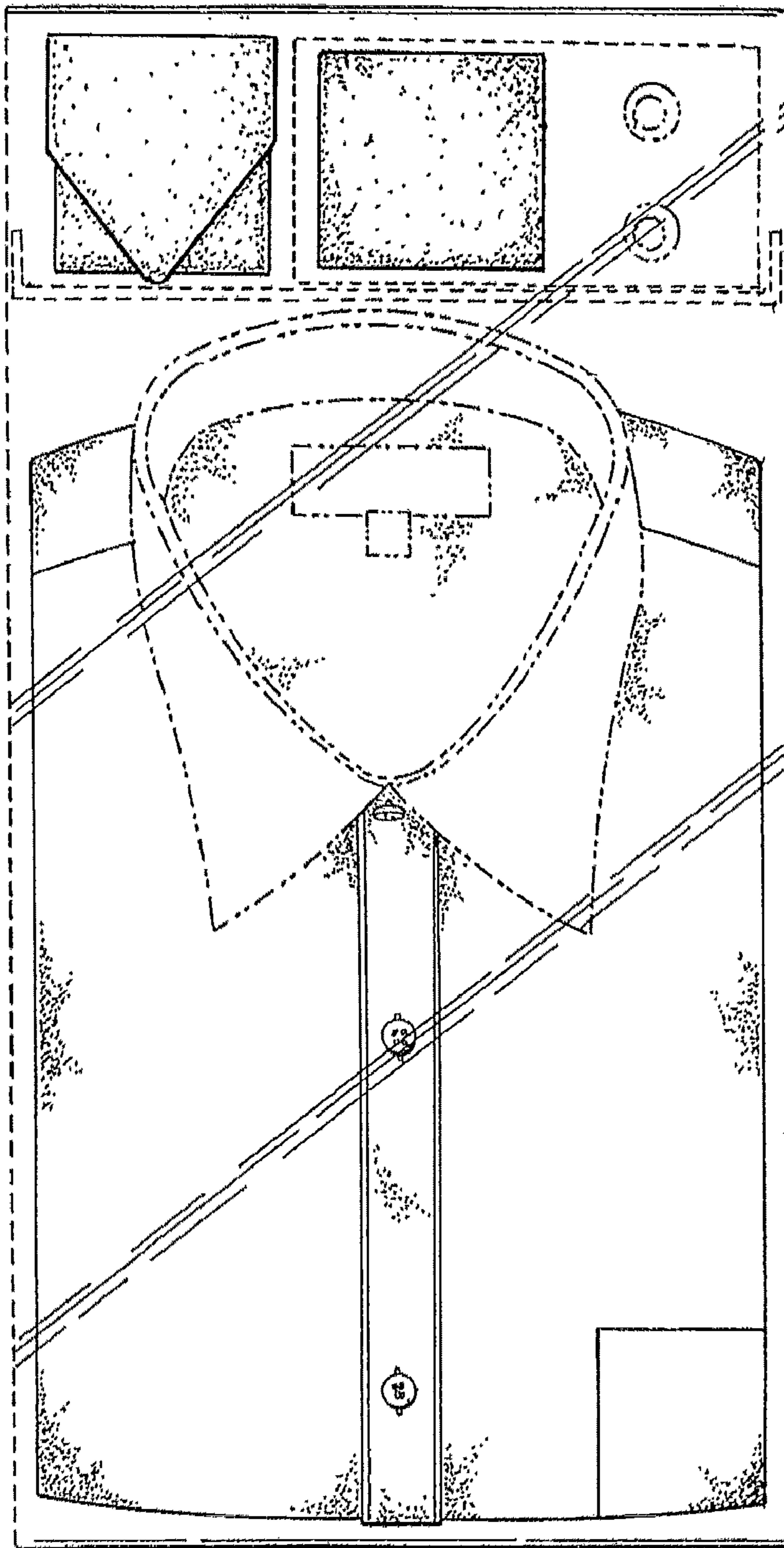


Fig. 7

Fig. 8

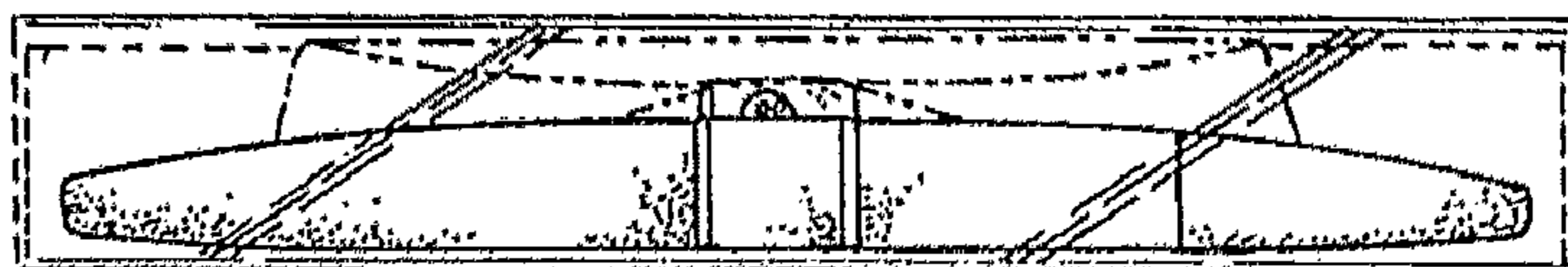


Fig. 9

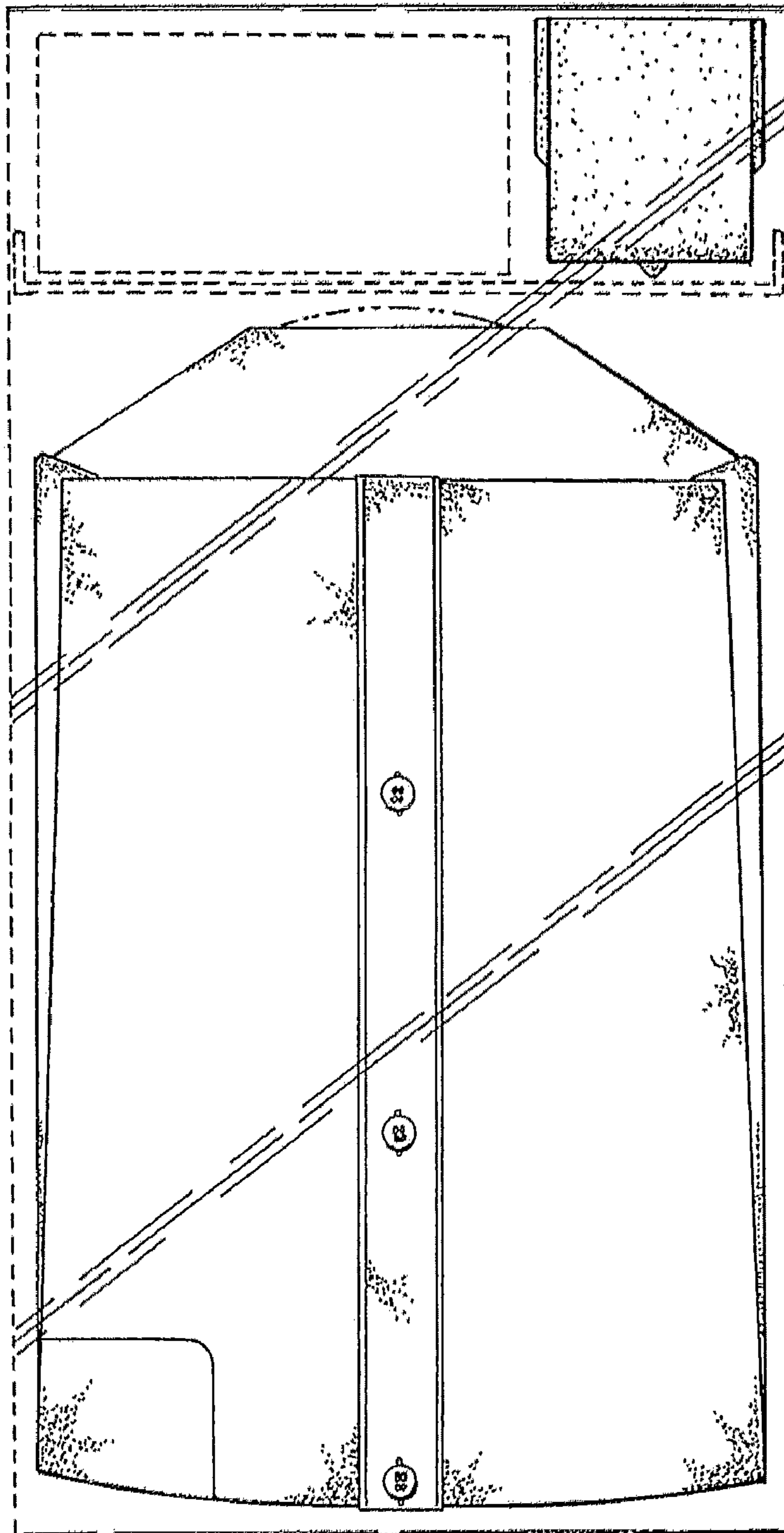
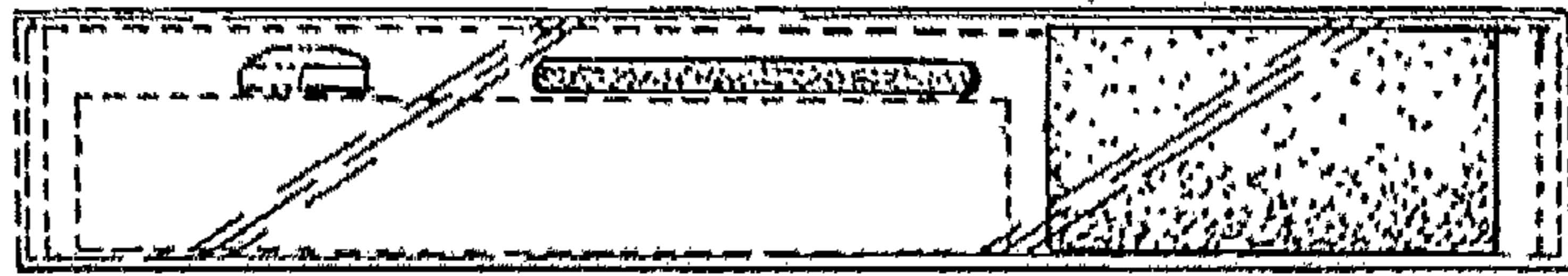


Fig. 10