

US00D660711S

(12) **United States Design Patent**
Watabe

(10) **Patent No.:** **US D660,711 S**

(45) **Date of Patent:** **** May 29, 2012**

(54) **JAR**

(75) Inventor: **Kousuke Watabe**, Tokyo (JP)

(73) Assignee: **Shiseido Co., Ltd.**, Tokyo (JP)

(**) Term: **14 Years**

(21) Appl. No.: **29/371,414**

(22) Filed: **Feb. 17, 2011**

(51) **LOC (9) Cl.** **09-01**

(52) **U.S. Cl.** **D9/529; D9/533; D9/539; D9/558**

(58) **Field of Classification Search** D9/500,
D9/502-505, 516, 530-531, 533, 536-537,
D9/539-540, 549, 529, 558; D7/543, 545-546,
D7/601-602, 629, 360; 215/379, 381-382,
215/384; 220/660, 669-673, 675, 573.1-573.2,
220/574, 912

See application file for complete search history.

(56) **References Cited**

U.S. PATENT DOCUMENTS

D246,819 S * 1/1978 Breger D7/542
D480,000 S * 9/2003 Hirato D9/504

D519,845 S * 5/2006 Ortiz D9/651
D535,856 S * 1/2007 Kell D7/538
D543,458 S * 5/2007 Dittmer et al. D9/504
D567,090 S * 4/2008 Swint et al. D9/504
D619,896 S * 7/2010 Iwazu et al. D9/504
D645,352 S * 9/2011 Bore D9/504
D651,900 S * 1/2012 Ashiwa et al. D9/504

* cited by examiner

Primary Examiner — Dana L Meyrow

(74) *Attorney, Agent, or Firm* — Manabu Kanesaka

(57) **CLAIM**

The ornamental design for a jar, as shown and described.

DESCRIPTION

FIG. 1 is a perspective view of a jar showing my new design; FIG. 2 is a front view thereof; a rear view being identical to the front view;

FIG. 3 is a top plan view thereof;

FIG. 4 is a bottom plan view thereof; and,

FIG. 5 is a right side view thereof; a left side view being identical to the right side view.

The broken lines in the FIG. 4 bottom plan view illustrate the portions of the design that form no part of the claim.

1 Claim, 5 Drawing Sheets

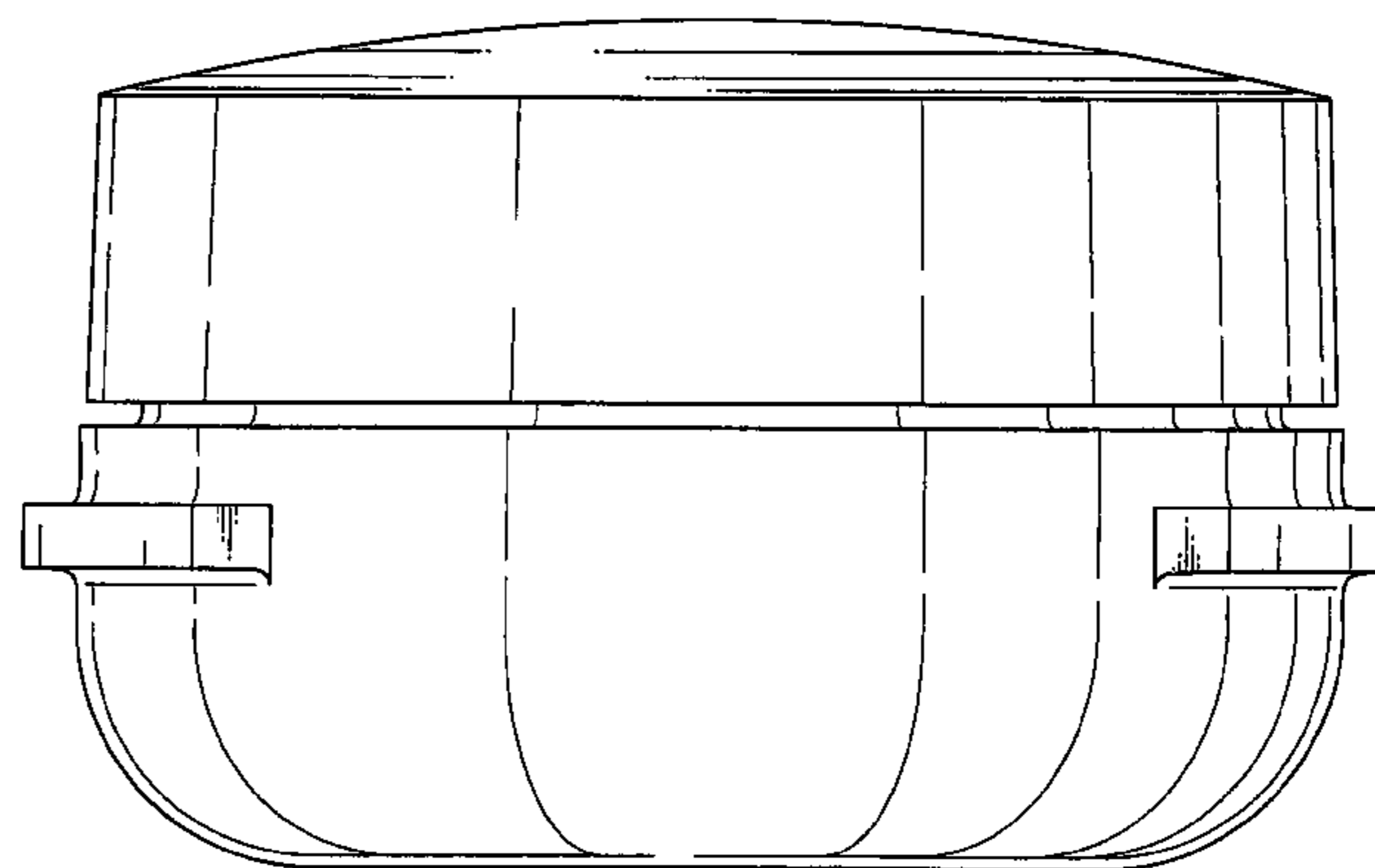
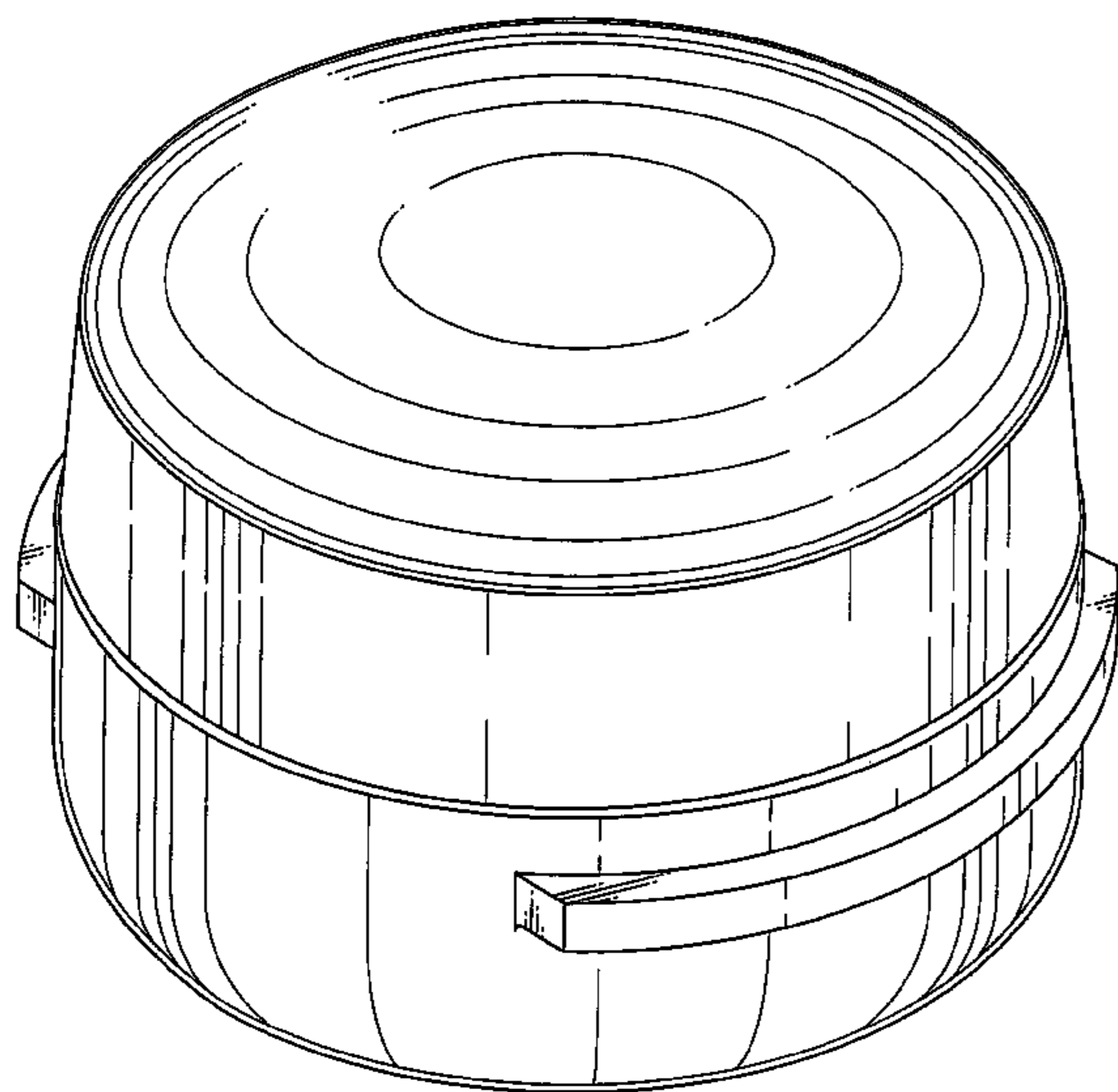


Fig. 1

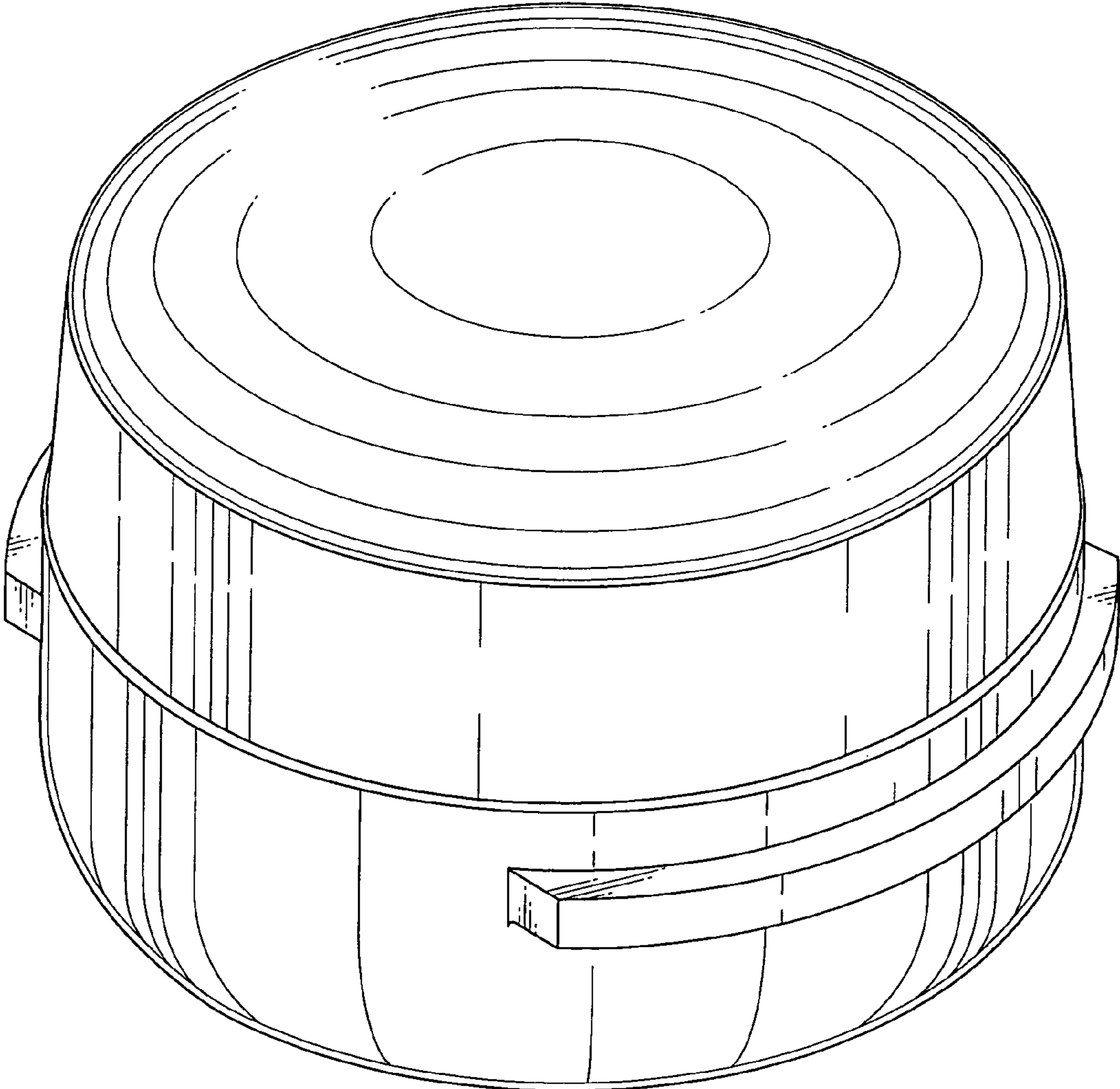


Fig. 2

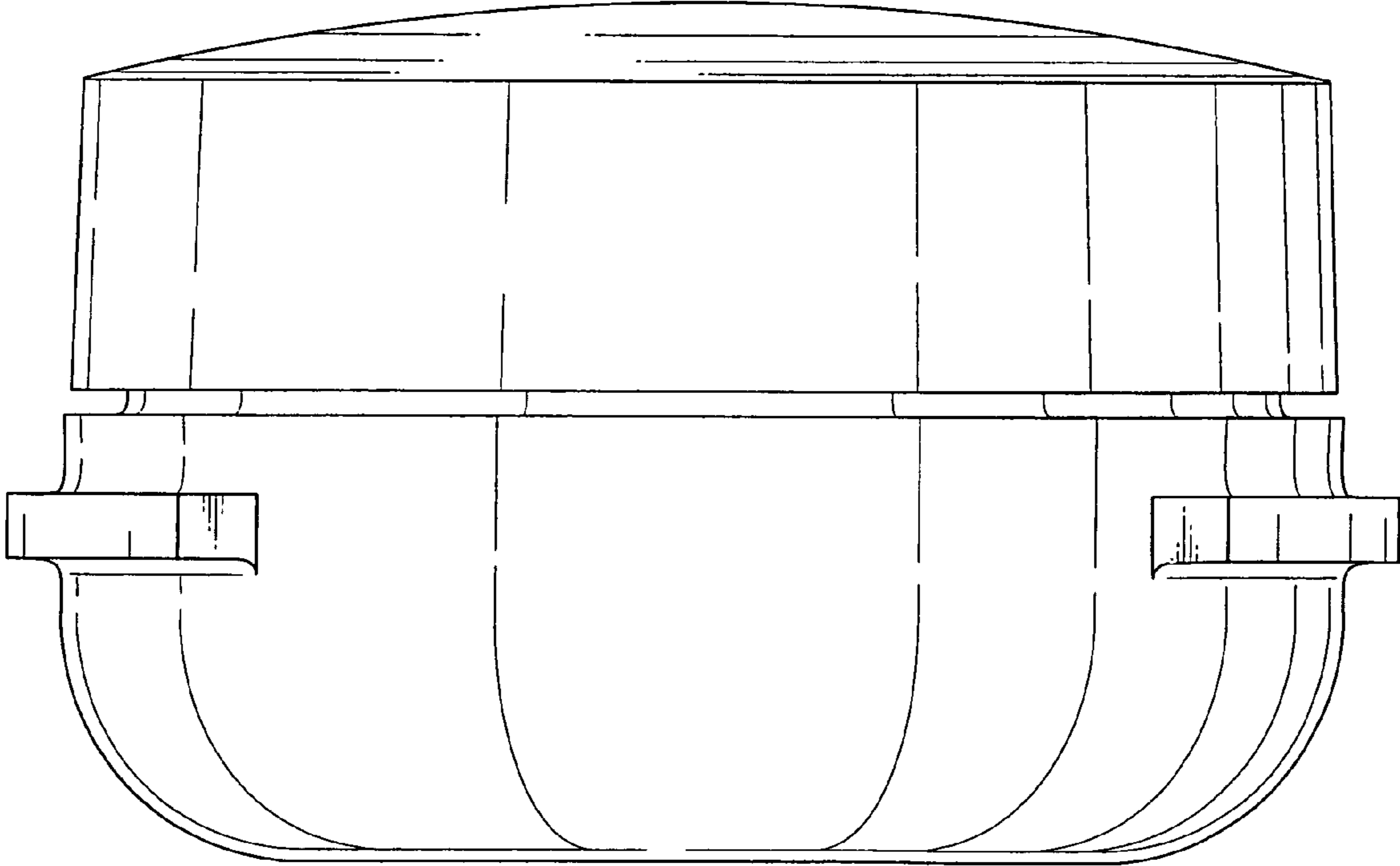


Fig. 3

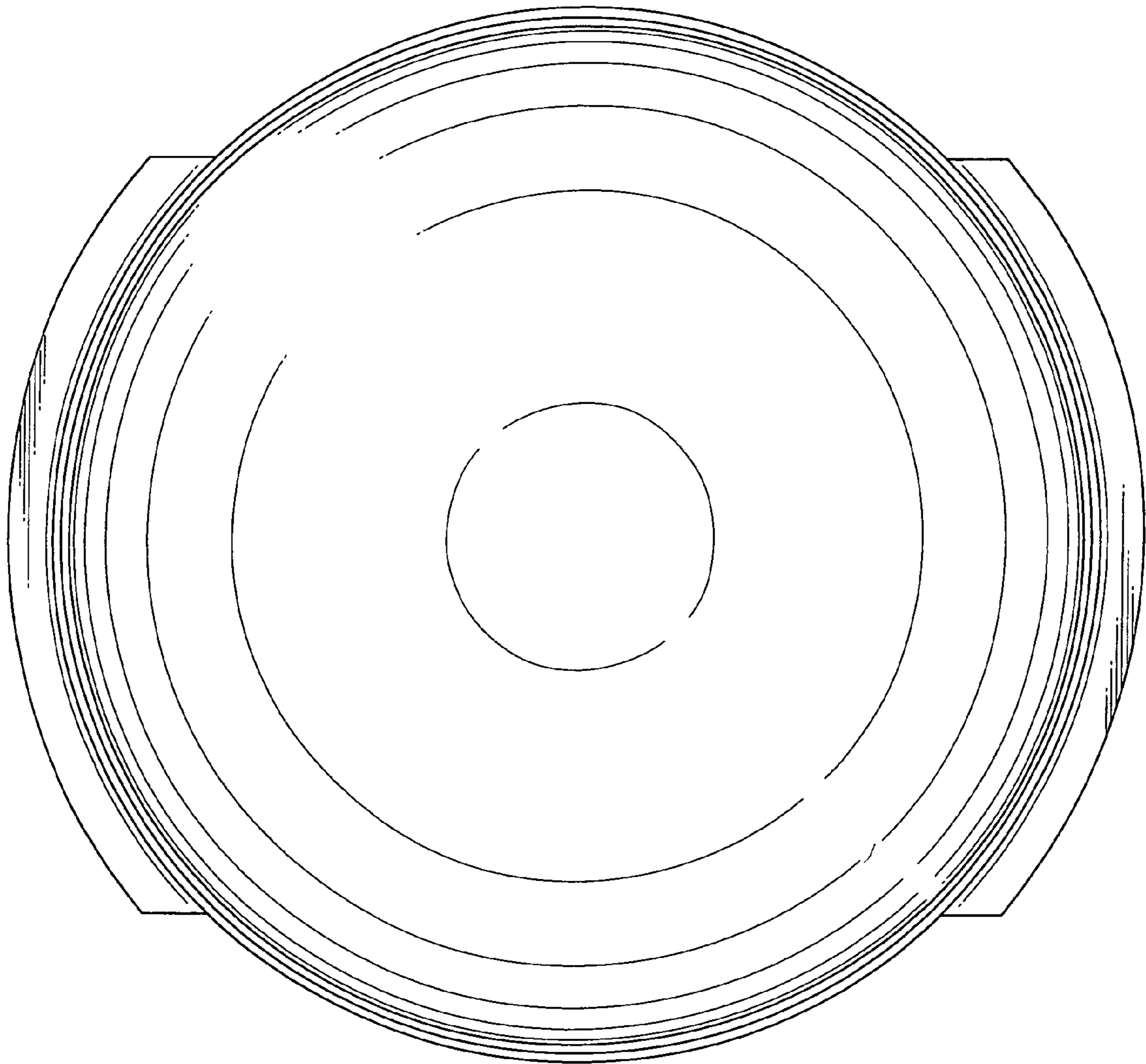


Fig. 4

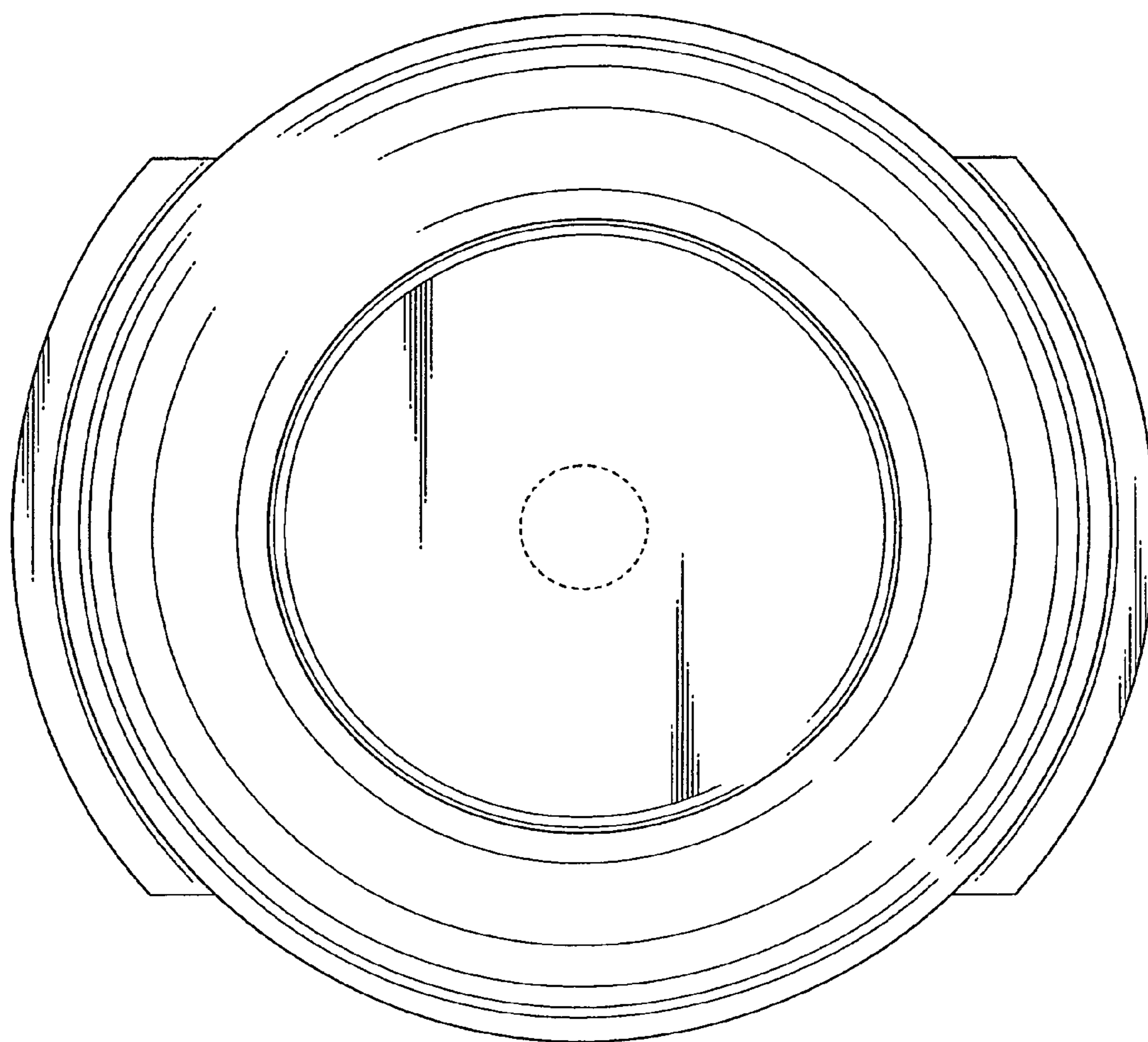


Fig. 5

