

US00D660700S

(12) **United States Design Patent**  
**MacNeill et al.**

(10) **Patent No.:** **US D660,700 S**

(45) **Date of Patent:** **\*\* May 29, 2012**

(54) **CAP**

D632,959 S \* 2/2011 Peters ..... D9/454  
D643,288 S \* 8/2011 Taylor ..... D9/453  
D645,748 S \* 9/2011 Sharma et al. .... D9/503

(75) Inventors: **Ronald MacNeill**, Kingston, NH (US);  
**Tuna Sava**, Newburyport, MA (US);  
**Karen Drucker**, Danville, NH (US)

FOREIGN PATENT DOCUMENTS

EP 0 633 126 9/1998

(73) Assignee: **UFP Technologies, Inc.**, Georgetown,  
MA (US)

OTHER PUBLICATIONS

(\*\*) Term: **14 Years**

Plastic Caps, retrieved from MOCAP Manufacturer of Quality Plastic and Rubber Products on May 11, 2011 using Internet <URL:http://www.mocap.com/mocap-plastic-caps.html>.

(21) Appl. No.: **29/388,640**

Threaded or Tri-Clamp Closures from L.C. Penner Co. on May 11, 2011 using Internet <URL:http://www.lcpenner.com/LCP/closures.html>.

(22) Filed: **Mar. 31, 2011**

\* cited by examiner

(51) **LOC (9) Cl.** ..... **09-07**

(52) **U.S. Cl.** ..... **D9/454; D9/445**

(58) **Field of Classification Search** ..... D9/695,  
D9/659, 563, 560, 529, 504, 503, 454, 452,  
D9/451, 447, 445, 444, 443, 441, 439, 435;  
D8/310, 307, 7; D24/224, 222; D21/388,  
D21/389; 220/915, 376, 288, 212, 22; 215/329,  
215/316, 228, 218, 200

*Primary Examiner* — Susan Bennett Hattan

(74) *Attorney, Agent, or Firm* — Howard & Howard Attorneys PLLC

See application file for complete search history.

(57) **CLAIM**

We claim the ornamental design for a cap, as shown and described.

**DESCRIPTION**

(56) **References Cited**

U.S. PATENT DOCUMENTS

3,078,879	A	2/1963	Mallard	
3,319,328	A	5/1967	Finger et al.	
3,574,312	A	4/1971	Miller	
4,269,232	A	5/1981	Witschi	
4,615,460	A	10/1986	Bucellato et al.	
5,439,031	A	8/1995	Steele et al.	
5,803,126	A	9/1998	Zaro	
5,866,218	A	2/1999	Meuth	
D417,847	S *	12/1999	Rush et al.	D9/454
D526,564	S *	8/2006	Slavin et al.	D9/454
D563,785	S *	3/2008	Maki et al.	D9/454
D623,061	S *	9/2010	Wong	D9/454
D632,174	S *	2/2011	Charbonnet et al.	D9/447

FIG. 1 is a top perspective view of the cap.

FIG. 2 is a top view of the cap.

FIG. 3 is a bottom view of the cap.

FIG. 4 is a side view of the cap and is identical to an opposite side view, a front view, and a front rear view of the cap, not shown in the FIGS. 1-5; and,

FIG. 5 is a cross sectional view of the cap taken along line 5-5 of FIG. 2 to illustrate the configuration of the exterior surface of the cap not apparent from the other views of the cap.

The broken lines describing a sanitary end, as shown in FIG. 1, are for illustrative purposes only and form no part of the claimed design.

**1 Claim, 2 Drawing Sheets**

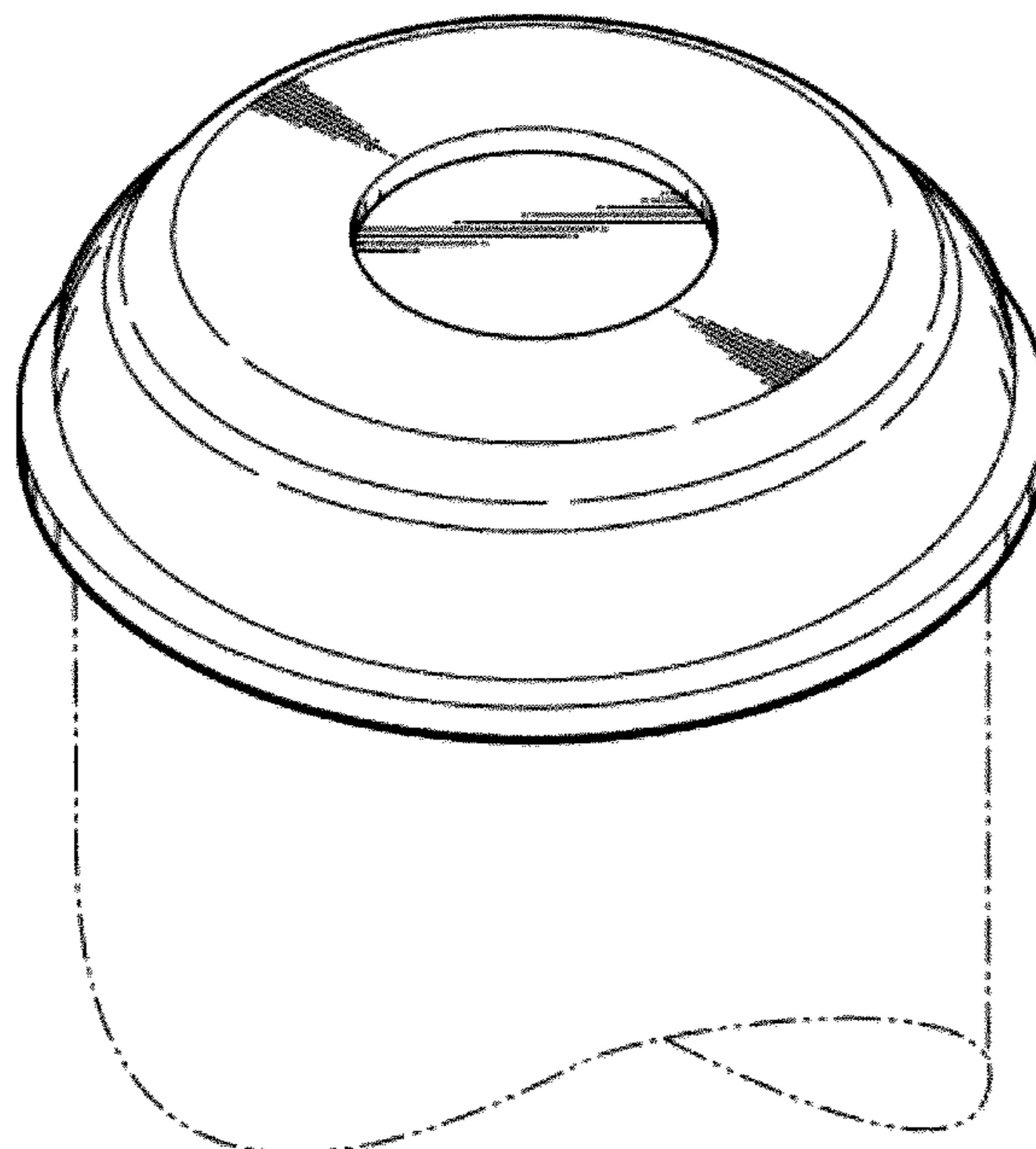


FIG. 1

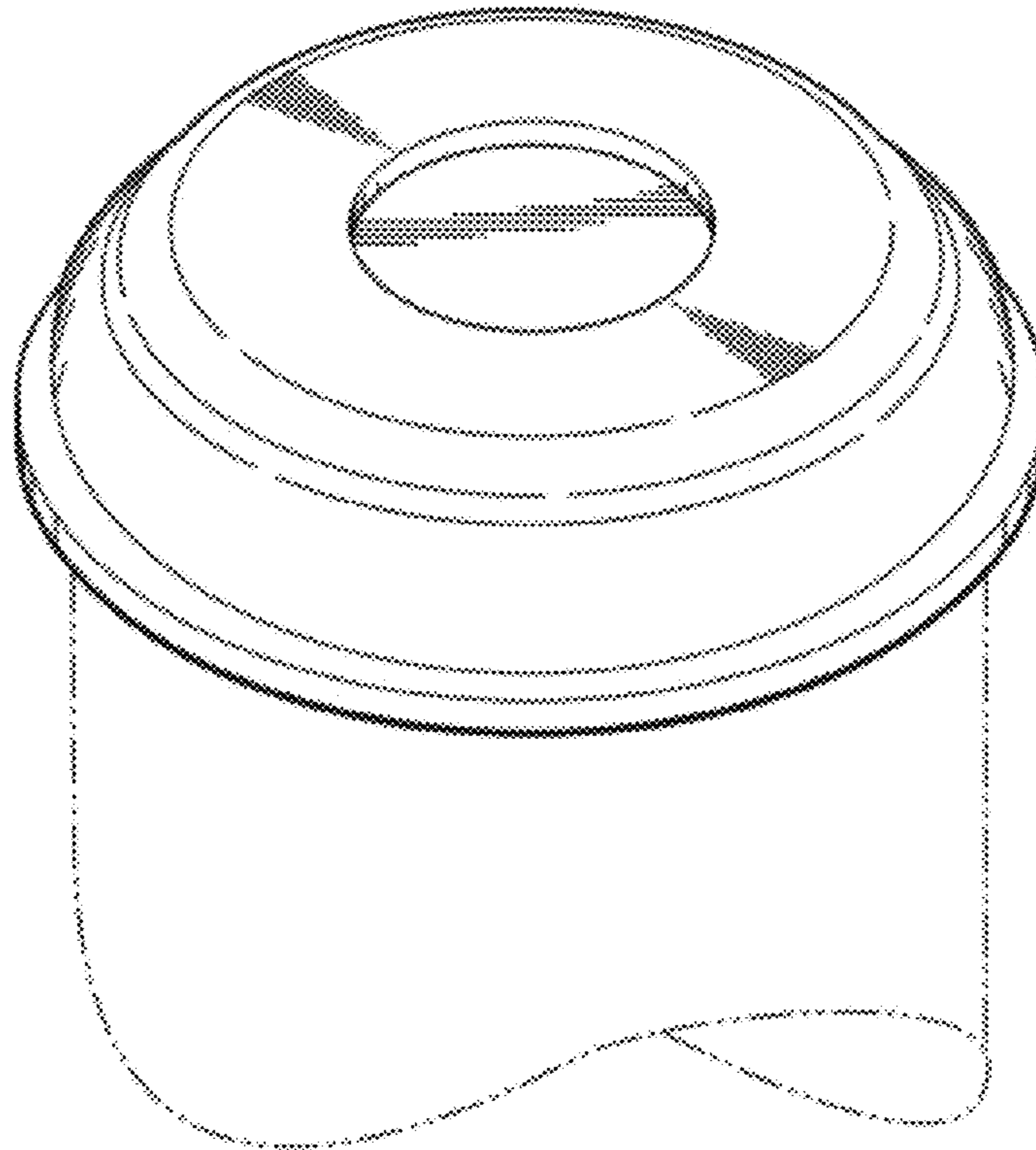
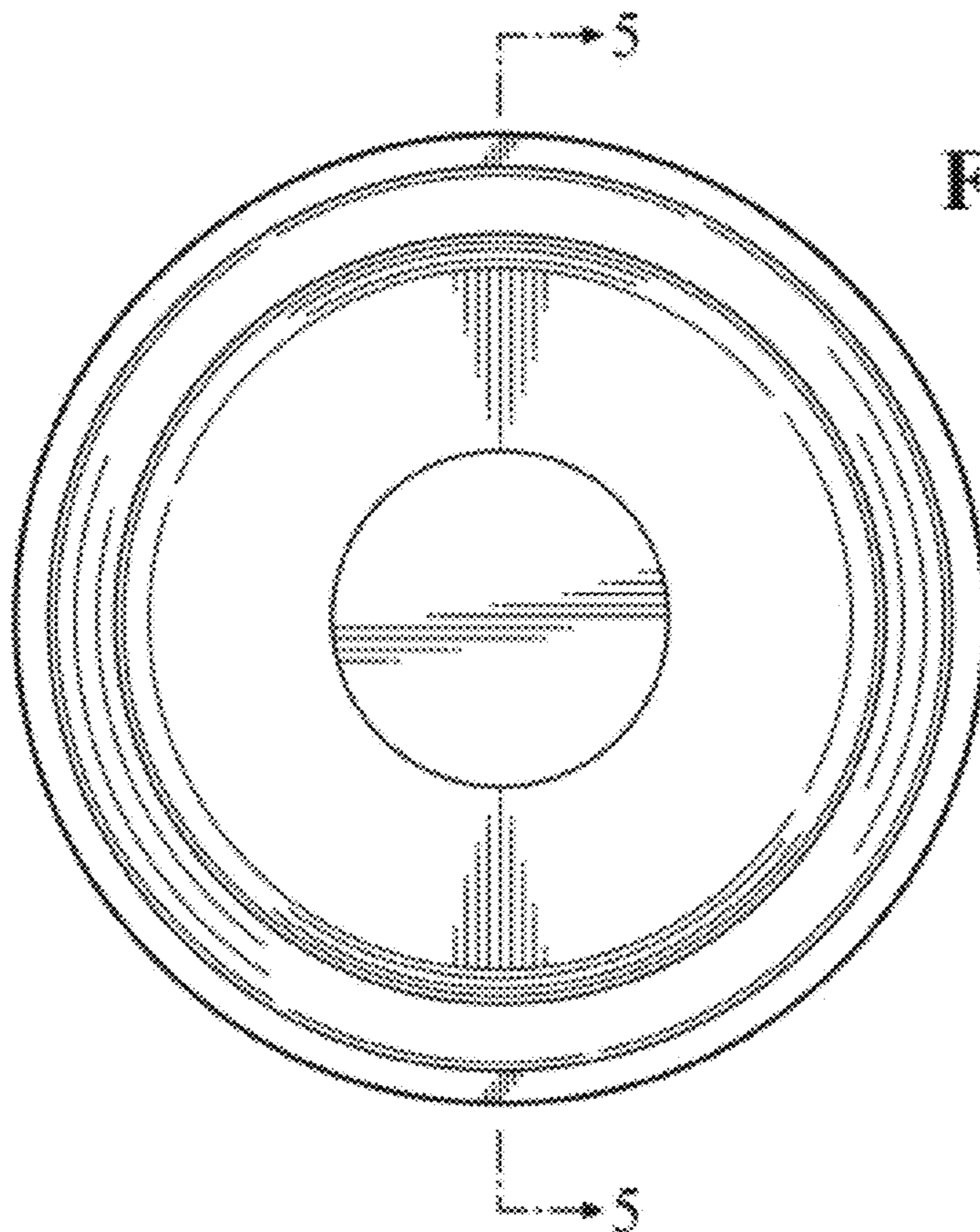
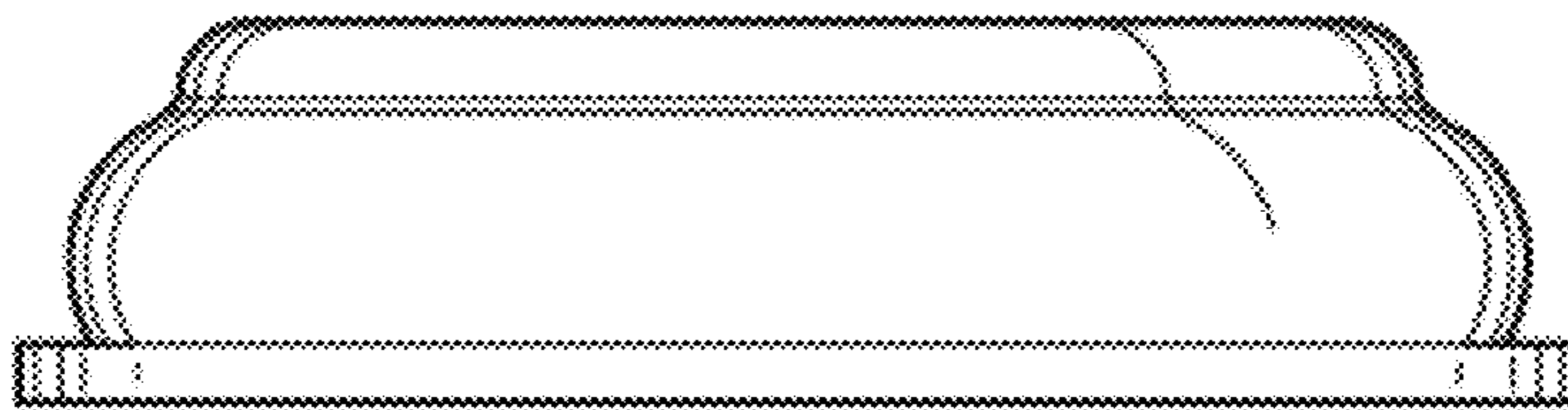
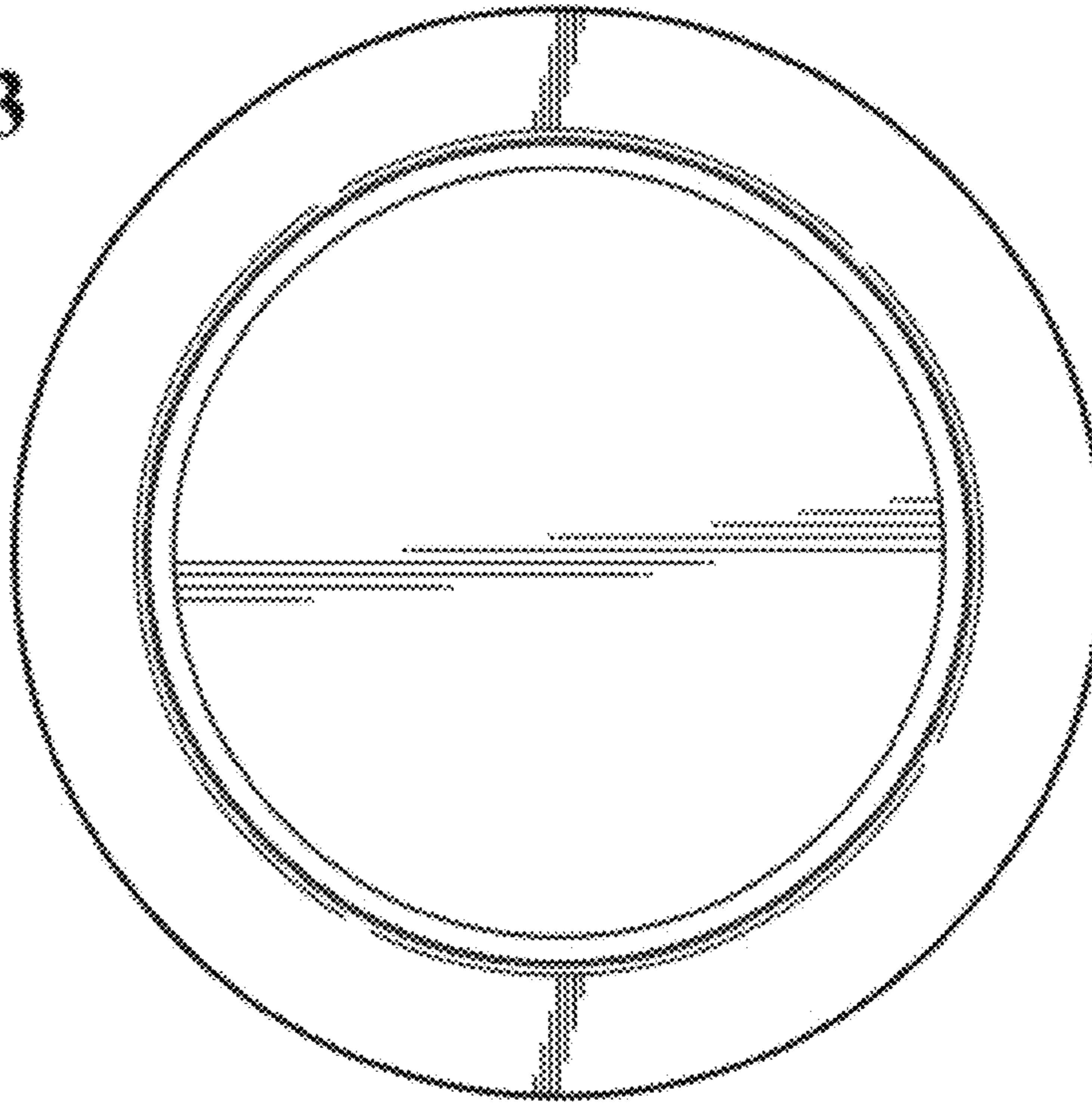


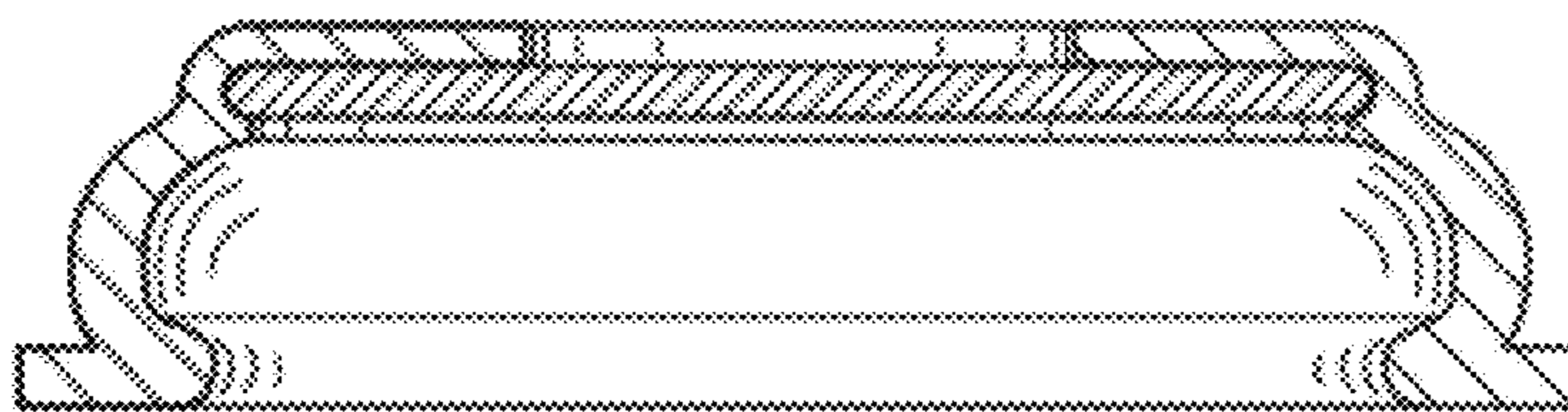
FIG. 2



**FIG. 3**



**FIG. 4**



**FIG. 5**