



US00D660698S

(12) **United States Design Patent**
Dombrowski et al.

(10) **Patent No.:** **US D660,698 S**

(45) **Date of Patent:** **** May 29, 2012**

(54) **PACKAGING FOR PERSONAL CARE COMPOSITION**

(75) Inventors: **David Dombrowski**, Liberty Township, OH (US); **George Scott Kerr**, Mason, OH (US)

(73) Assignee: **The Procter & Gamble Company**, Cincinnati, OH (US)

(**) Term: **14 Years**

(21) Appl. No.: **29/408,806**

(22) Filed: **Dec. 16, 2011**

Related U.S. Application Data

(62) Division of application No. 29/354,847, filed on Jan. 29, 2010, now Pat. No. Des. 653,122.

(51) **LOC (9) Cl.** **09-07**

(52) **U.S. Cl.** **D9/448**

(58) **Field of Classification Search** D9/682-694, D9/516-575, 434-454; D6/542; 222/129, 222/135, 153.01, 153.03, 153.04, 153.09, 222/153.11-153.14, 182, 631, 635, 209, 222/211-213, 215, 321.7-321.9, 372, 373, 222/378, 379, 383.1, 384-386, 398, 400.7, 222/400.8, 401, 402.1-402.25, 491, 494, 222/505, 507, 544, 566-575; 215/379-384; 220/669-675

See application file for complete search history.

(56) **References Cited**

U.S. PATENT DOCUMENTS

D16,712 S	5/1886	Underwood	
D74,436 S	2/1928	Hally-Smith	
D182,444 S	4/1958	Sinclair et al.	
D186,860 S	12/1959	Speaker	
2,921,722 A	1/1960	Focht	
3,146,920 A *	9/1964	Benjamin	222/321.7
D210,516 S	3/1968	Mascia et al.	
D210,701 S *	4/1968	Coons	D9/448
D244,008 S	4/1977	Aeschlimann	

D246,892 S	1/1978	East	
4,307,823 A *	12/1981	Heiss et al.	222/633
D328,712 S *	8/1992	Butler et al.	D9/526
D337,527 S	7/1993	Klapwald	
D369,980 S	5/1996	Dinand	
D371,295 S *	7/1996	Wadsworth et al.	D9/448
D372,860 S	8/1996	Lathrop et al.	
D375,051 S	10/1996	Lathrop et al.	
D381,580 S	7/1997	Kokenge et al.	
D383,982 S	9/1997	Tippitt et al.	
5,842,604 A *	12/1998	Stahley et al.	222/95
D406,062 S	2/1999	Brewer	
D421,215 S	2/2000	Crawford	
D445,686 S	7/2001	Danielo et al.	
D457,424 S	5/2002	Lillelund et al.	
D498,646 S	11/2004	Drennow	
D559,682 S *	1/2008	Meeker et al.	D9/448
D569,248 S *	5/2008	Seum et al.	D9/448
D571,204 S *	6/2008	Sweeton	D9/448

(Continued)

FOREIGN PATENT DOCUMENTS

CN 3358196 3/2004

(Continued)

Primary Examiner — Catherine Tuttle

(74) *Attorney, Agent, or Firm* — Carl J. Roof

(57) **CLAIM**

The ornamental design for a package for personal care composition, as shown and described.

DESCRIPTION

FIG. 1 is a perspective view of a package for personal care composition;

FIG. 2 is a side view thereof;

FIG. 3 is a front side view thereof;

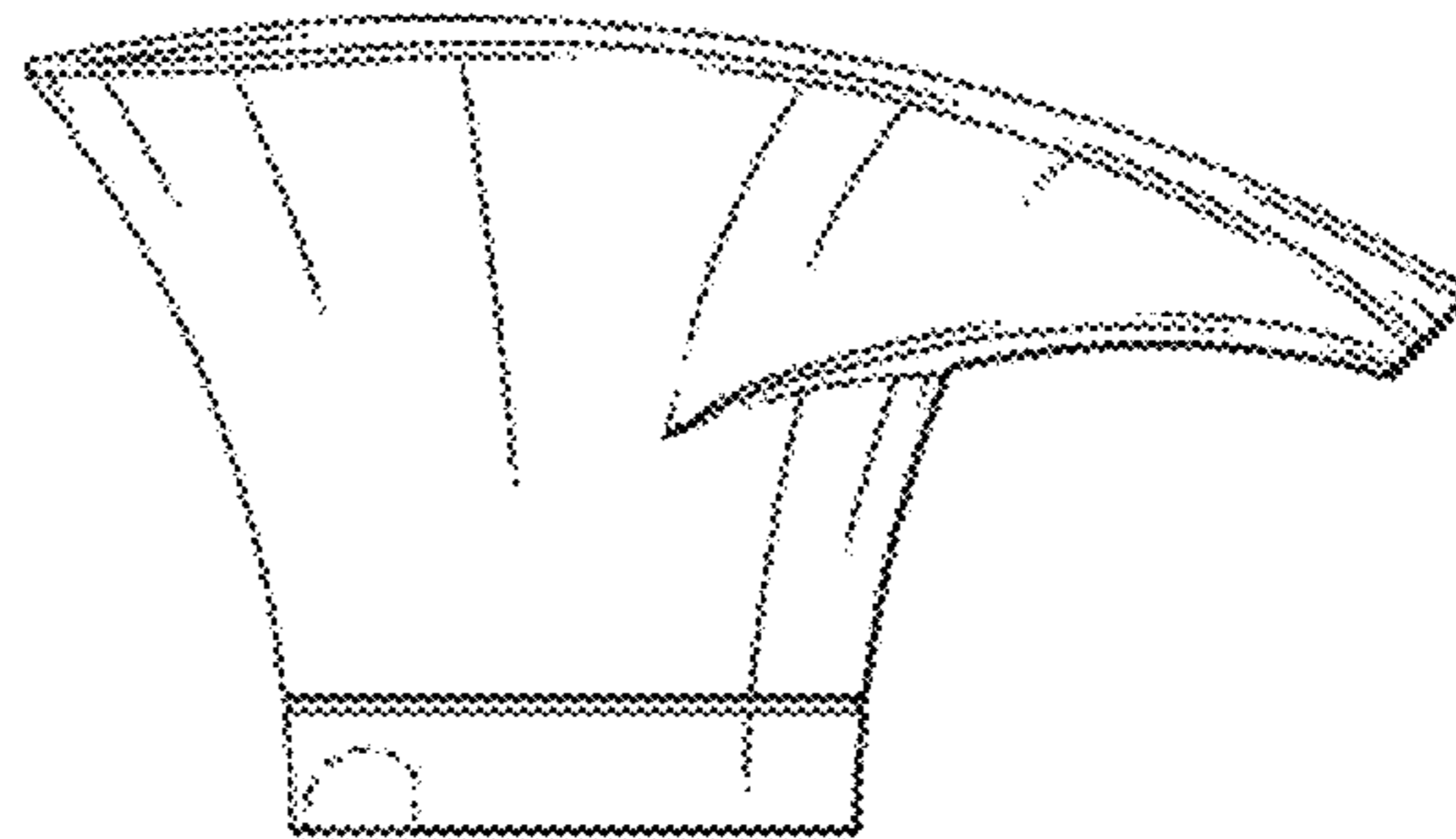
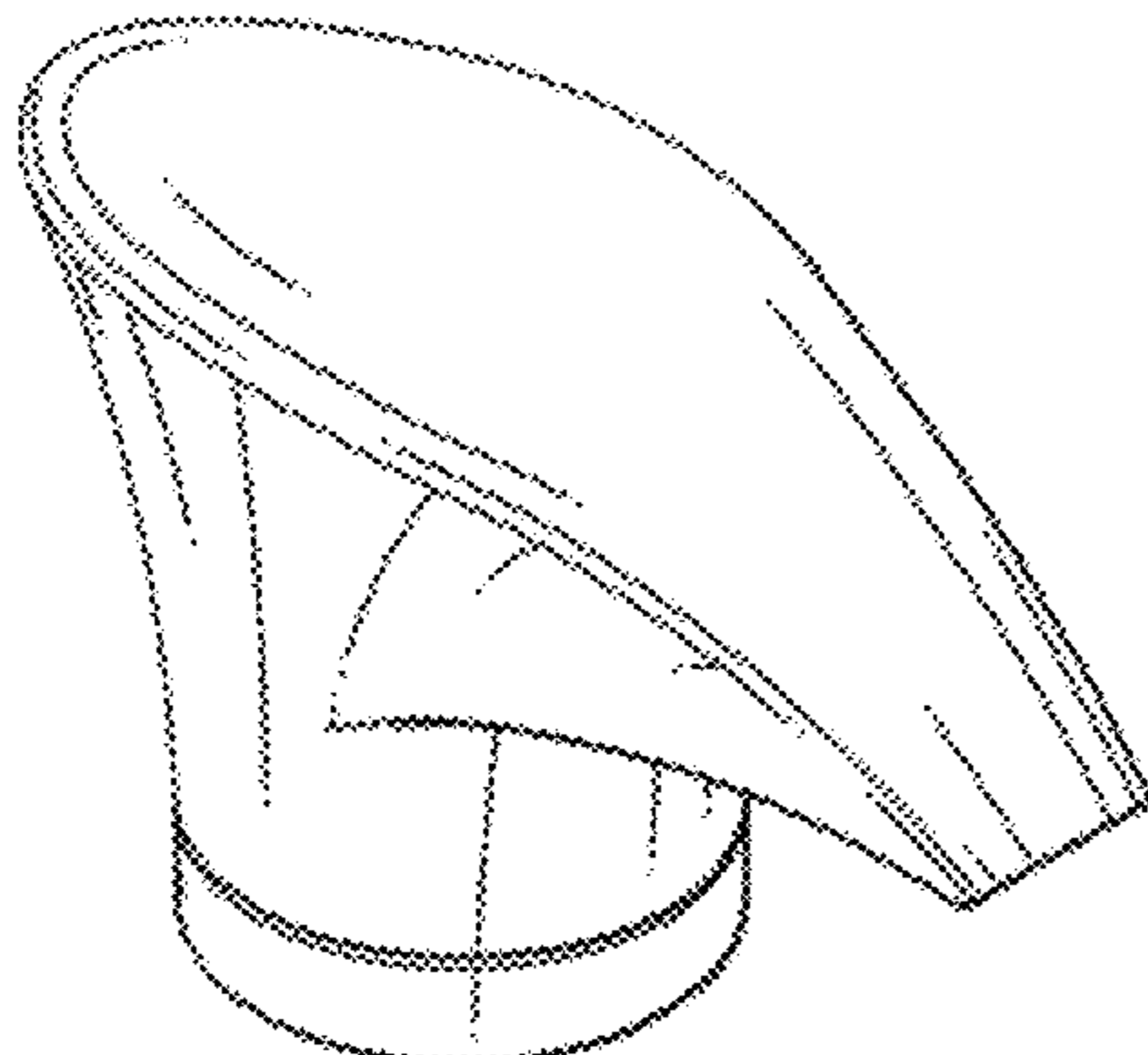
FIG. 4 is a back view thereof;

FIG. 5 is a top view thereof; and,

FIG. 6 is a bottom view thereof.

The broken lines are included for the purpose of illustrating portions of the package for personal care composition that form no part of the claimed design.

1 Claim, 2 Drawing Sheets



US D660,698 S

Page 2

U.S. PATENT DOCUMENTS

D591,612 S * 5/2009 Ames et al. D9/685
D623,071 S 9/2010 Driskell et al.
7,798,373 B1 * 9/2010 Wroblewski et al. 222/209
2006/0186139 A1 8/2006 Laidler et al.
2010/0051650 A1 * 3/2010 Chou 222/383.1
2010/0089946 A1 4/2010 Py

FOREIGN PATENT DOCUMENTS

EM 000452354-0001 * 2/2006
GB DES. 2023428 11/1992
GB DES. 2035513 4/1994
GB DES. 2088443 6/2000

* cited by examiner

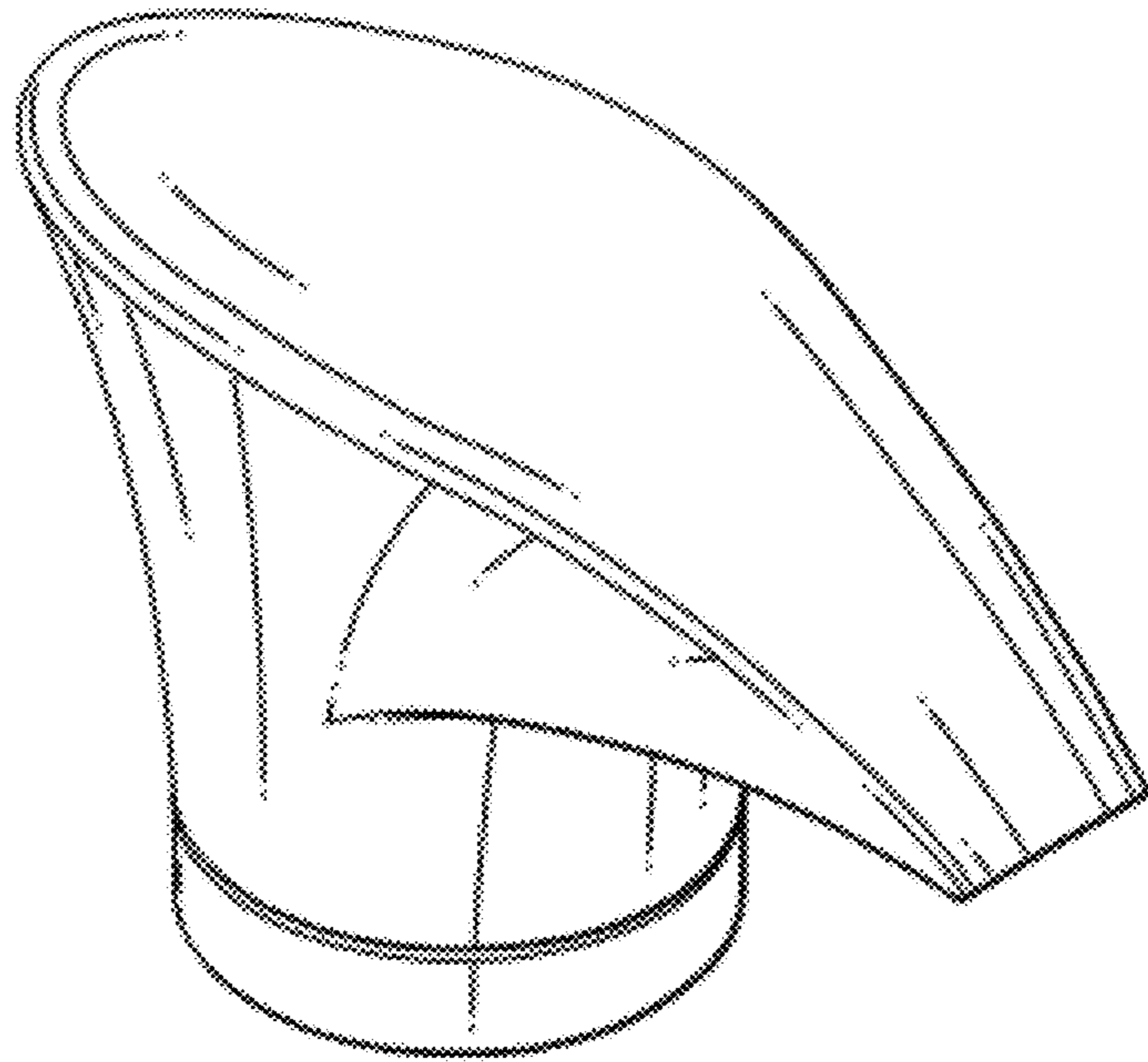


FIG. 1

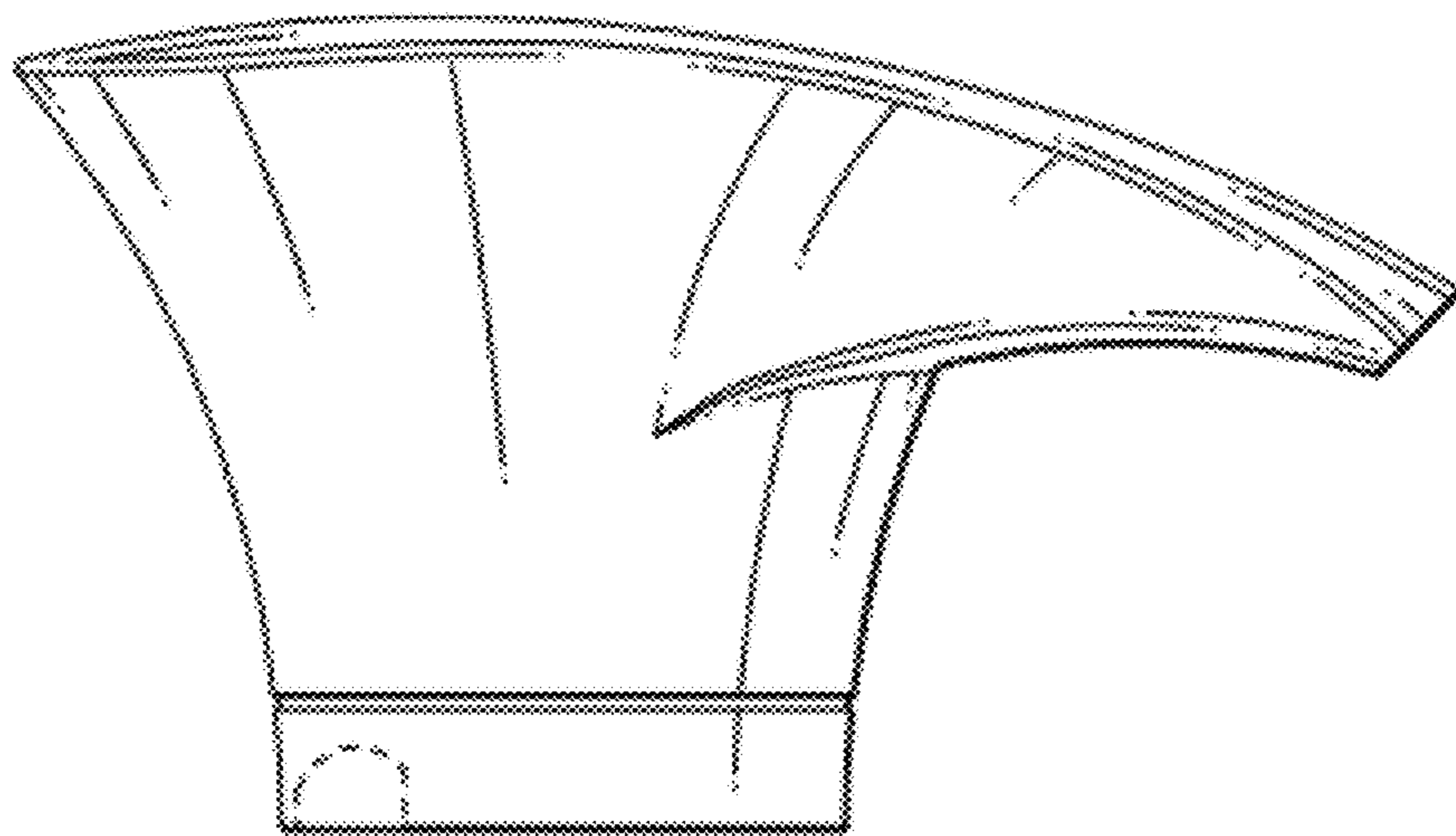


FIG. 2

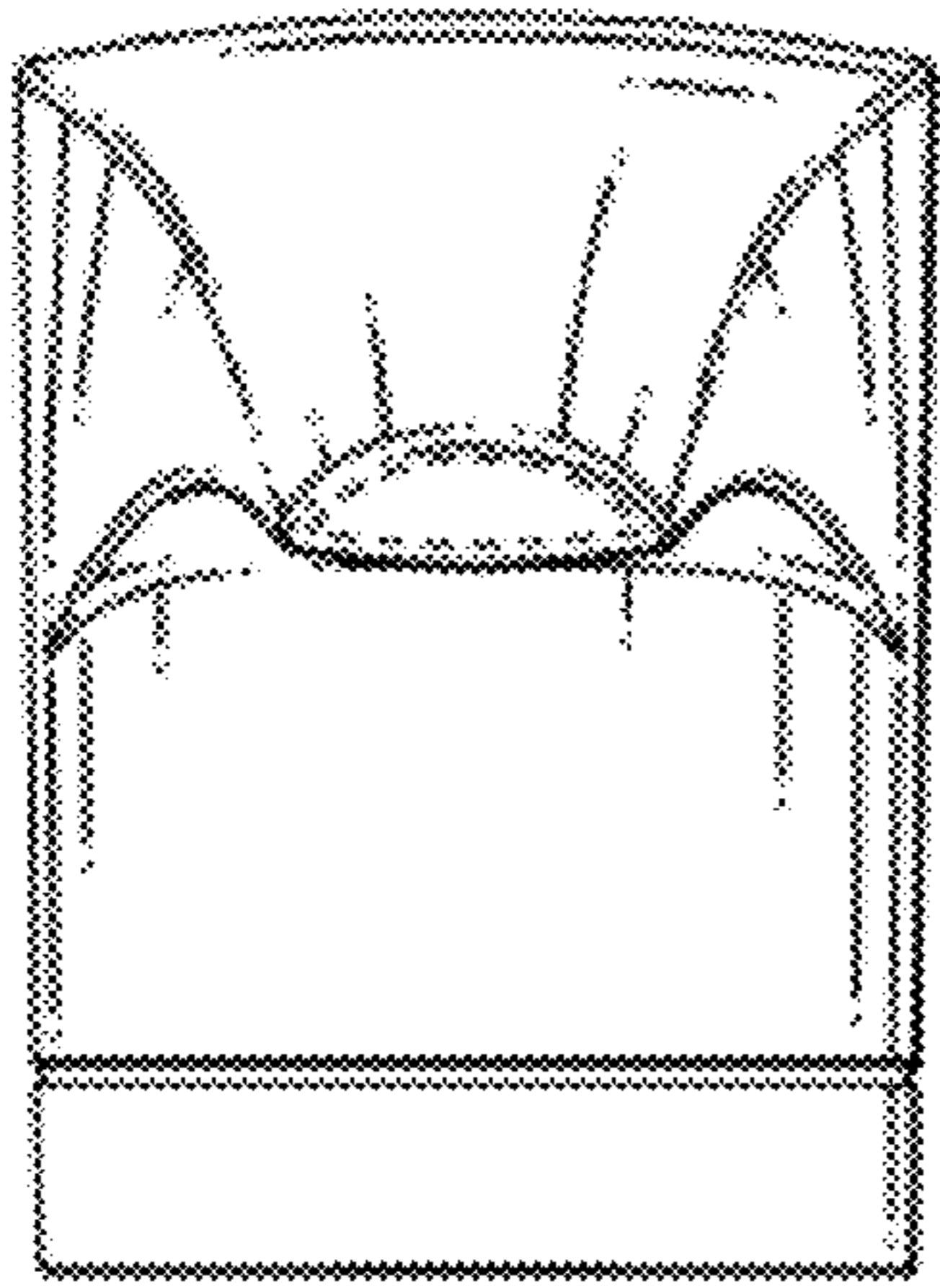


FIG. 3

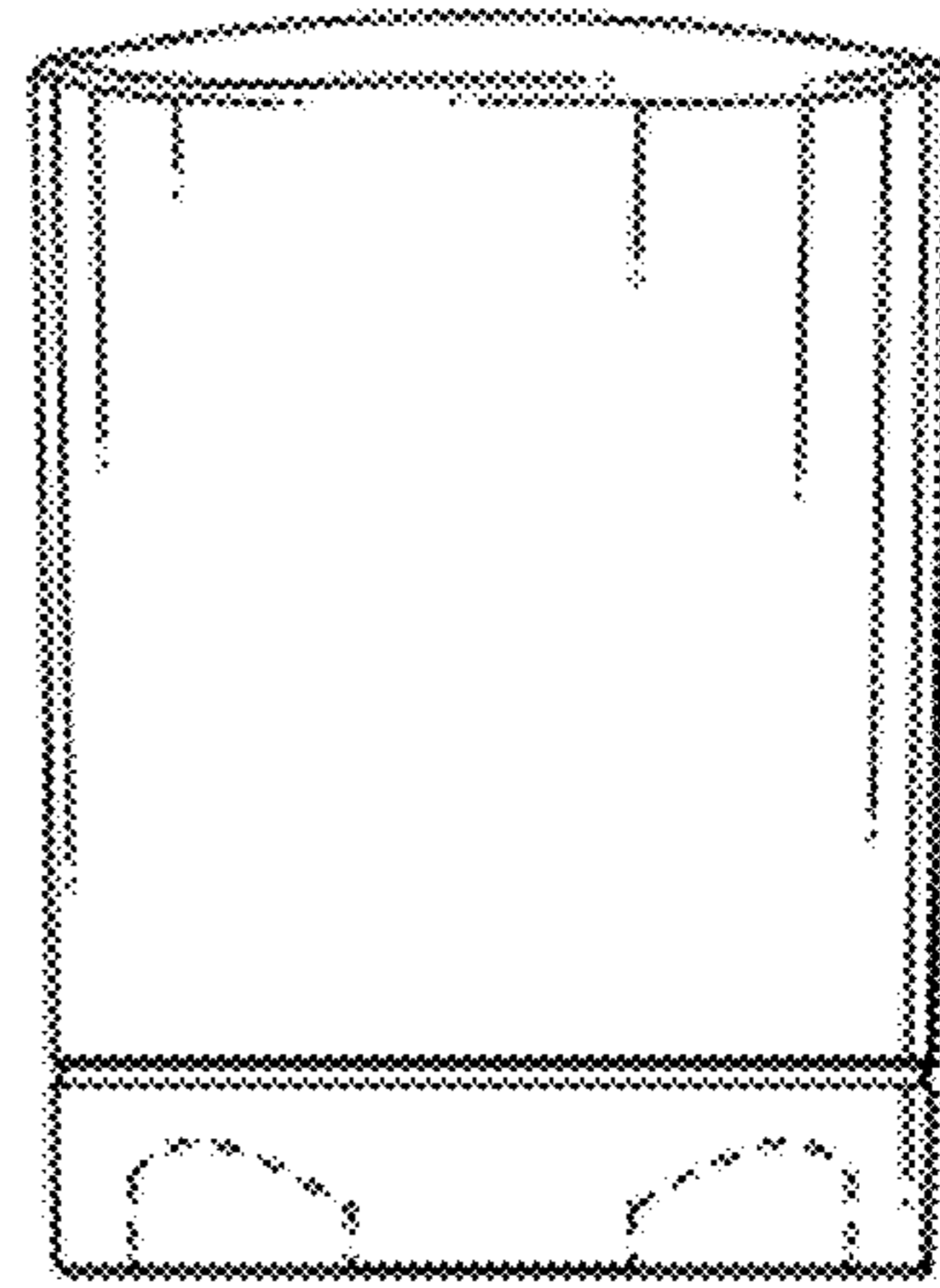


FIG. 4

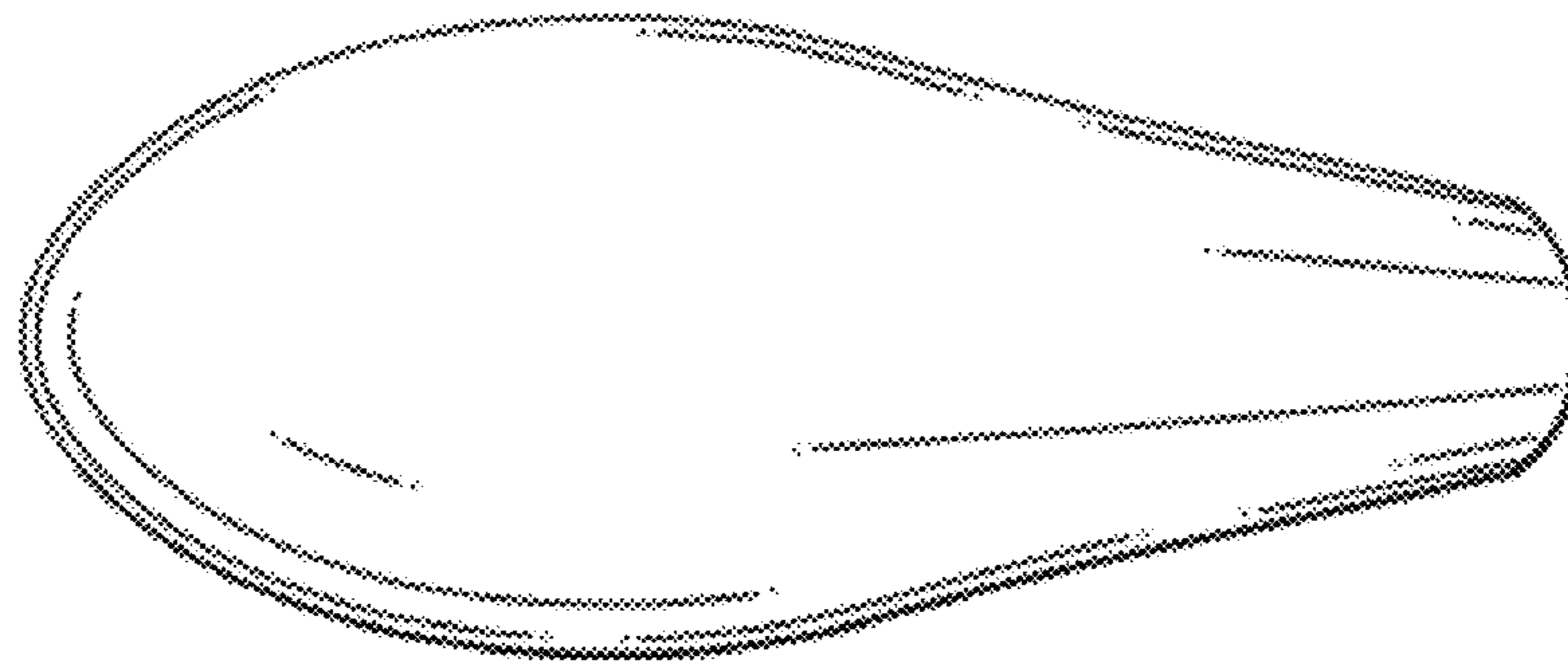


FIG. 5

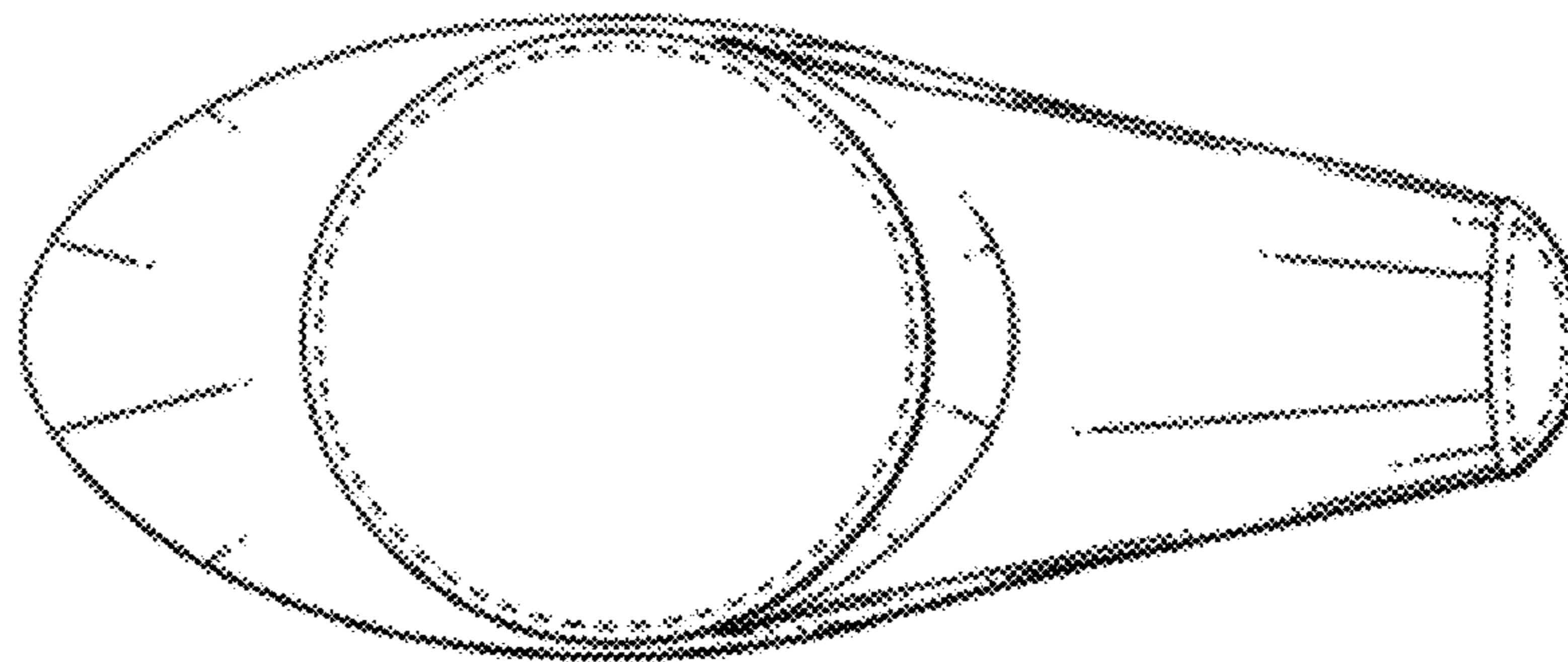


FIG. 6