

US00D660697S

(12) **United States Design Patent**
Dombrowski et al.

(10) **Patent No.:** **US D660,697 S**
(45) **Date of Patent:** **** May 29, 2012**

- (54) **PACKAGING FOR PERSONAL CARE COMPOSITION**
- (75) Inventors: **David Dombrowski**, Liberty Township, OH (US); **George Scott Kerr**, Mason, OH (US)
- (73) Assignee: **The Procter & Gamble Company**, Cincinnati, OH (US)
- (**) Term: **14 Years**
- (21) Appl. No.: **29/408,792**
- (22) Filed: **Dec. 16, 2011**

1,620,024 A *	3/1927	Hothersall	222/536
D74,436 S	2/1928	Hally-Smith	
2,782,967 A *	2/1957	Walker	222/485
D182,444 S	4/1958	Sinclair et al.	
D186,860 S	12/1959	Speaker	
2,921,722 A	1/1960	Focht	
3,081,912 A *	3/1963	Goceliak	222/189.07
D210,516 S	3/1968	Mascia et al.	
3,437,193 A *	4/1969	Freeman	206/780
3,899,107 A *	8/1975	Gaal	222/570
D244,008 S	4/1977	Aeschlimann	
D246,892 S	1/1978	East	
D258,492 S *	3/1981	Plummer	D7/319
D285,515 S *	9/1986	Papciak	D7/509
D337,527 S	7/1993	Klapwald	
5,273,194 A *	12/1993	McNamara	222/470

(Continued)

Related U.S. Application Data

- (62) Division of application No. 29/354,847, filed on Jan. 29, 2010, now Pat. No. Des. 653,122.
- (51) **LOC (9) Cl.** **09-07**
- (52) **U.S. Cl.** **D9/448**
- (58) **Field of Classification Search** D9/682-694, D9/516-575, 434-454; D6/542; 222/129, 222/135, 153.01, 153.03, 153.04, 153.09, 222/153.11-153.14, 182, 631, 635, 209, 222/211-213, 215, 321.7-321.9, 372, 373, 222/378, 379, 383.1, 384-386, 398, 400.7, 222/400.8, 401, 402.1-402.25, 491, 494, 222/505, 507, 544, 566-575; 215/379-384, 215/40-45, 228, 386; 220/669-675, 694, 220/695, 698, 700, 86.1; D7/300, 303, 312-322, D7/589, 590, 598, 387, 396.1, 396.2, 397, D7/398, 401.1, 415
See application file for complete search history.

(56) **References Cited**

U.S. PATENT DOCUMENTS

D732 S *	10/1855	Newton	D9/450
D16,712 S	5/1886	Underwood	
1,430,552 A *	10/1922	Hothersall	222/498

FOREIGN PATENT DOCUMENTS

CN	3358196	3/2004
----	---------	--------

(Continued)

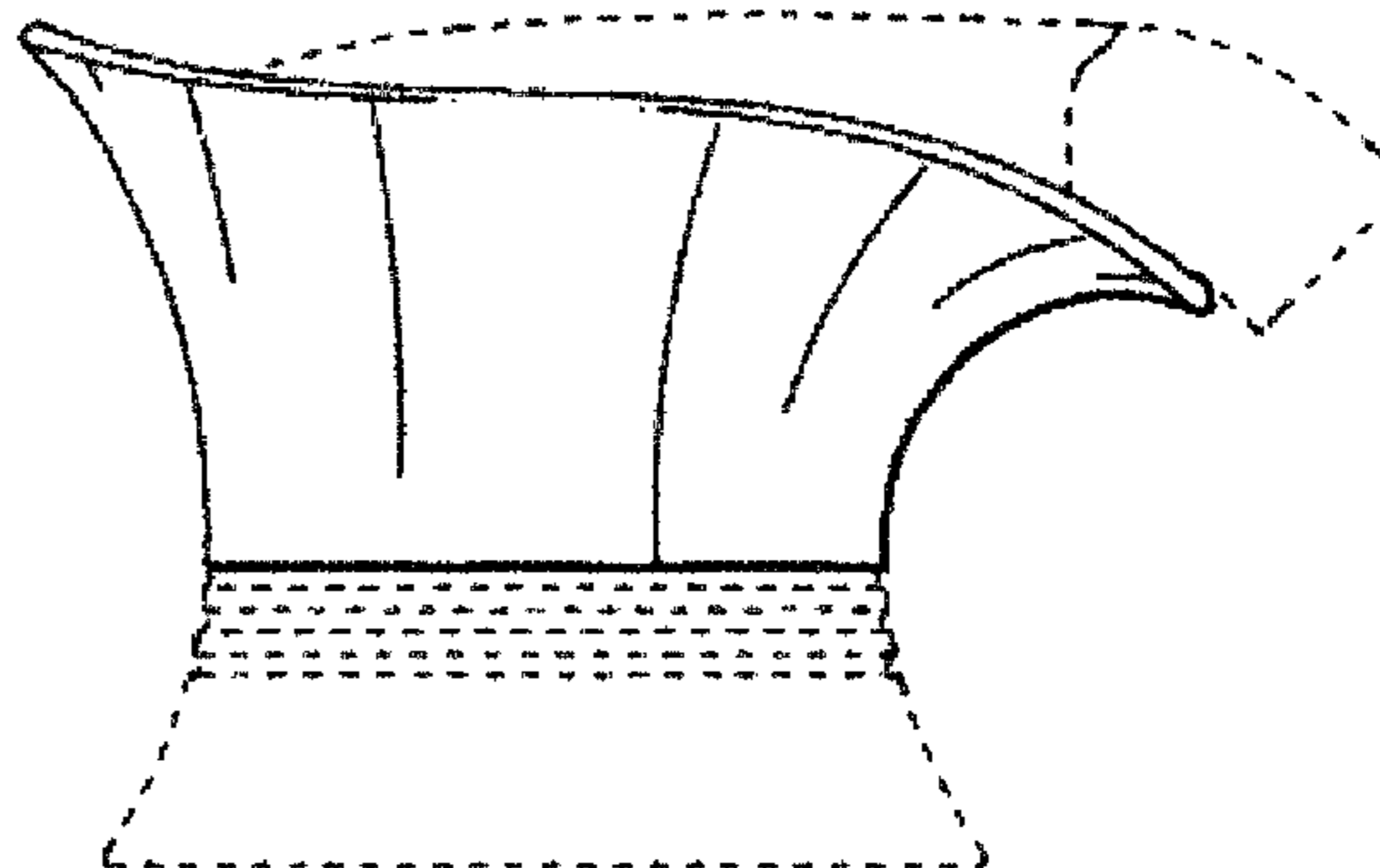
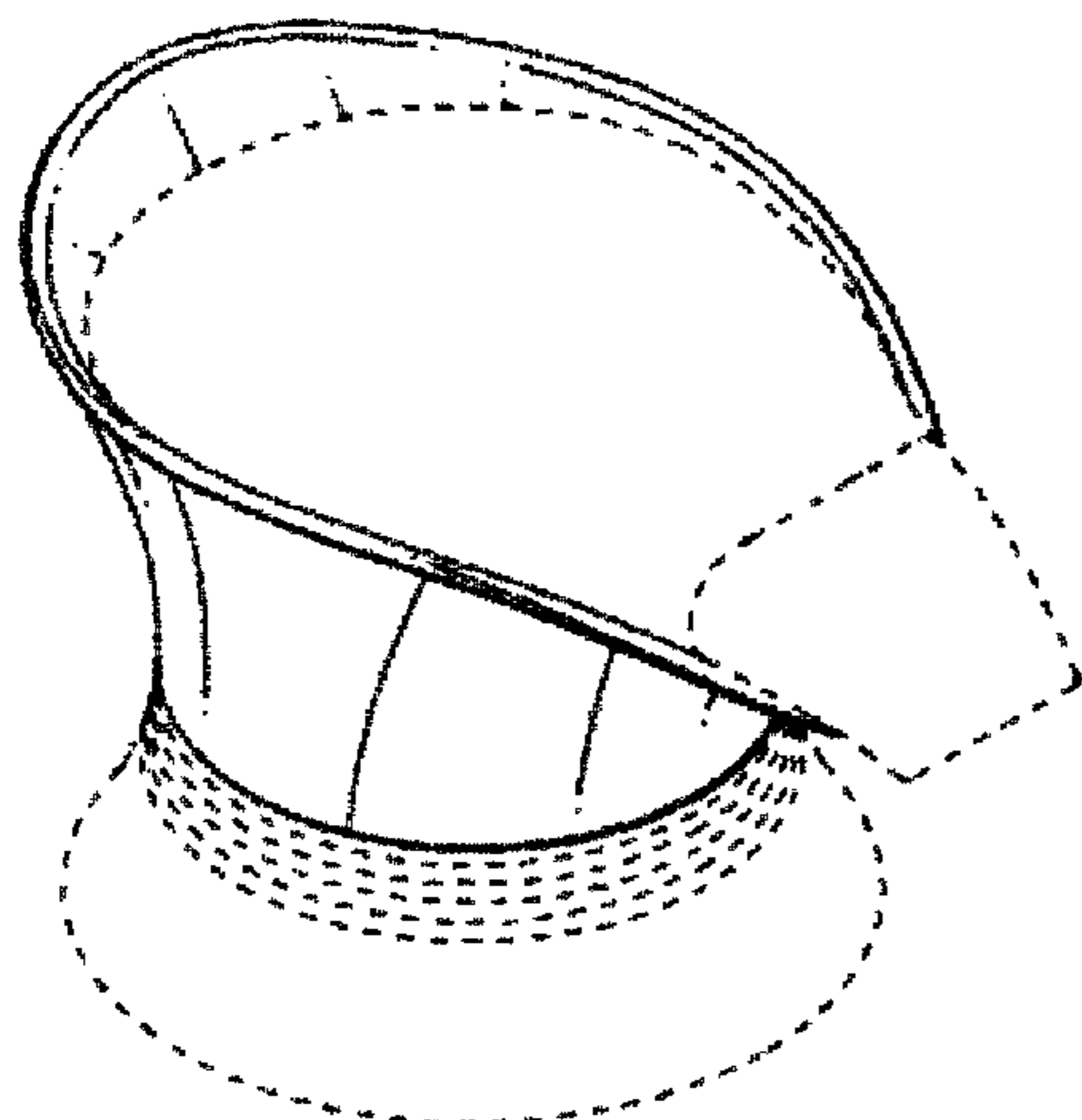
Primary Examiner — Catherine Tuttle
(74) *Attorney, Agent, or Firm* — Carl J. Roof

(57) **CLAIM**
The ornamental design for a package for personal care composition, as shown and described.

DESCRIPTION

FIG. 1 is a perspective view of a package for personal care composition;
FIG. 2 is a side view thereof;
FIG. 3 is a front side view thereof;
FIG. 4 is a back view thereof;
FIG. 5 is a top view thereof; and,
FIG. 6 is a bottom view thereof.
The broken lines are included for the purpose of illustrating portions of the package for personal care composition that form no part of the claimed design.

1 Claim, 2 Drawing Sheets



US D660,697 S

Page 2

U.S. PATENT DOCUMENTS

D369,980 S 5/1996 Dinand
D372,860 S 8/1996 Lathrop et al.
D375,051 S 10/1996 Lathrop et al.
D381,580 S 7/1997 Kokenge et al.
D383,982 S 9/1997 Tippitt et al.
D406,062 S 2/1999 Brewer
D421,215 S 2/2000 Crawford
D445,686 S 7/2001 Daniello et al.
D449,956 S * 11/2001 Drennow D7/317
D457,424 S 5/2002 Lillelund et al.

D498,646 S 11/2004 Drennow
D623,071 S 9/2010 Driskell et al.
2006/0186139 A1 8/2006 Laidler et al.
2010/0089946 A1 4/2010 Py

FOREIGN PATENT DOCUMENTS

GB DES.2023428 11/1992
GB DES.2035513 4/1994
GB DES.2088443 6/2000

* cited by examiner

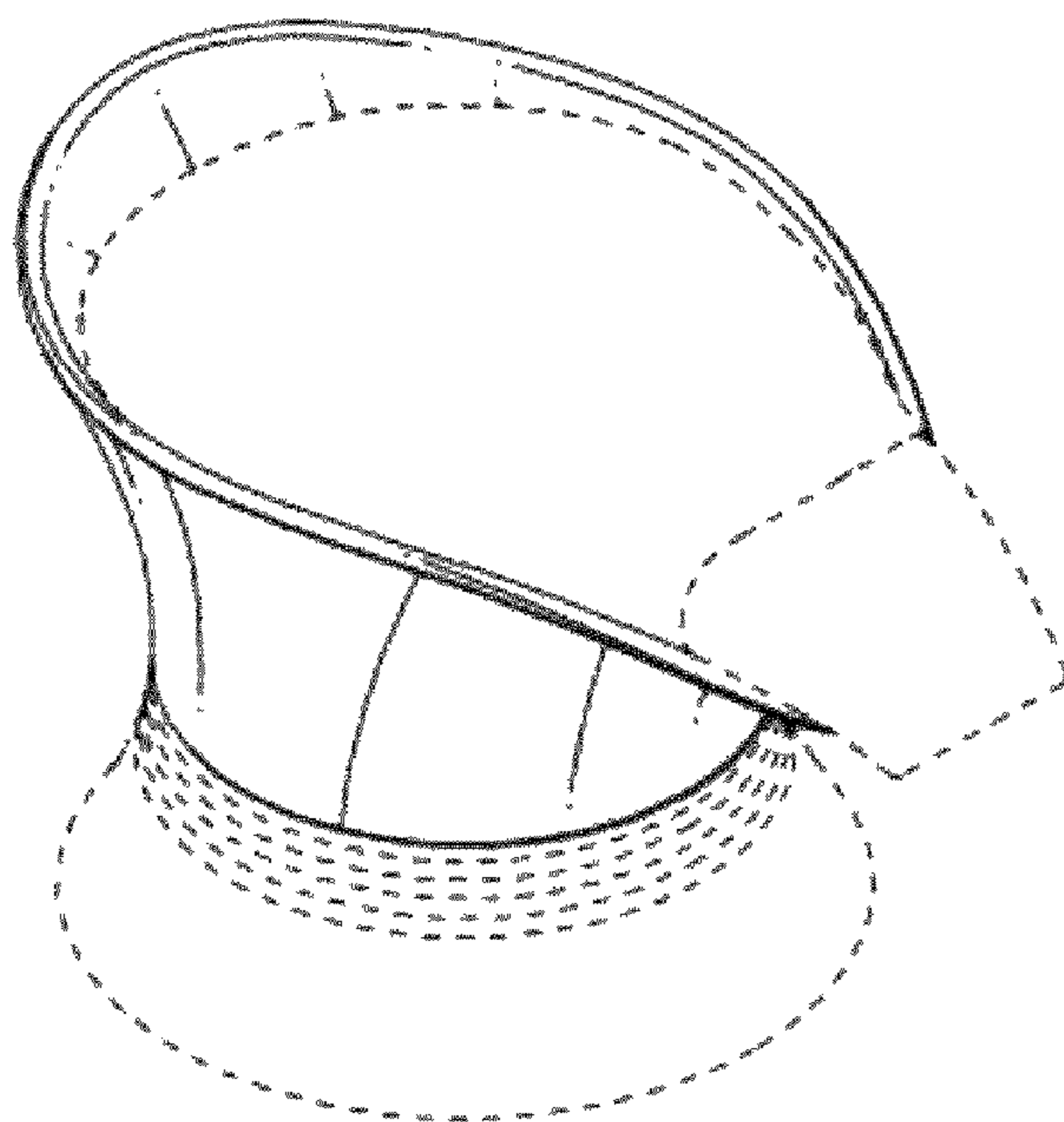


FIG. 1

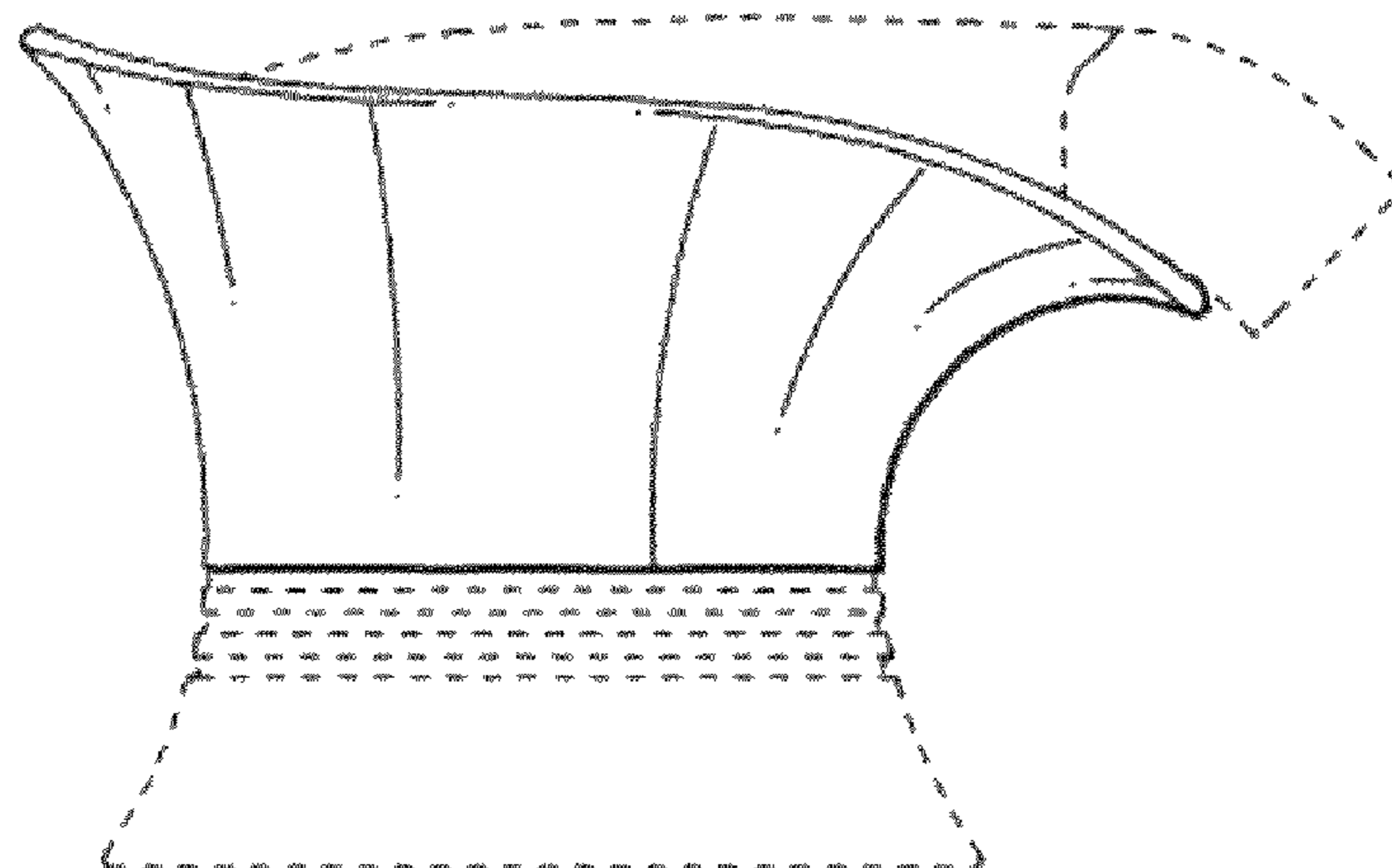


FIG. 2

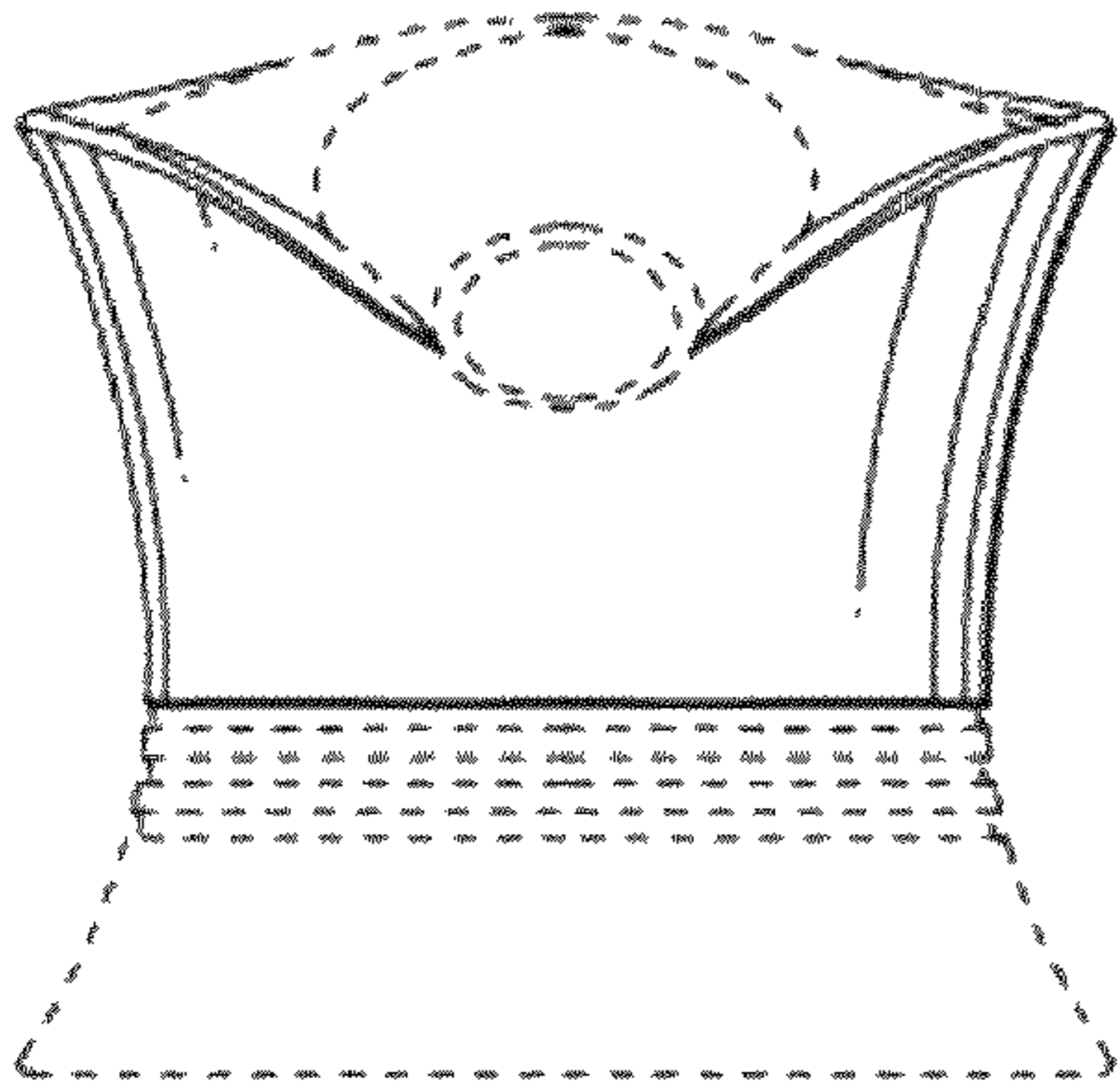


FIG. 3

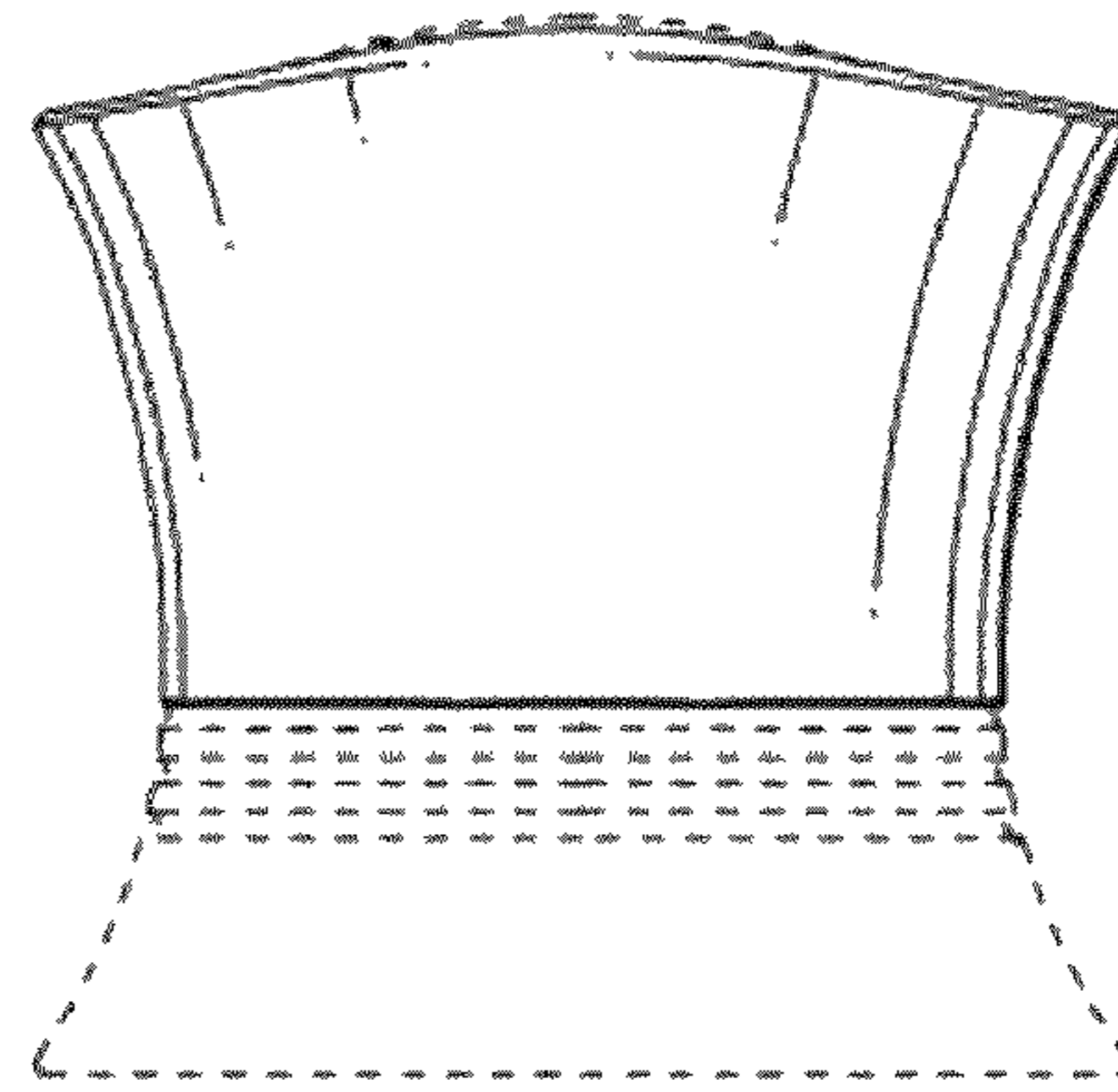


FIG. 4

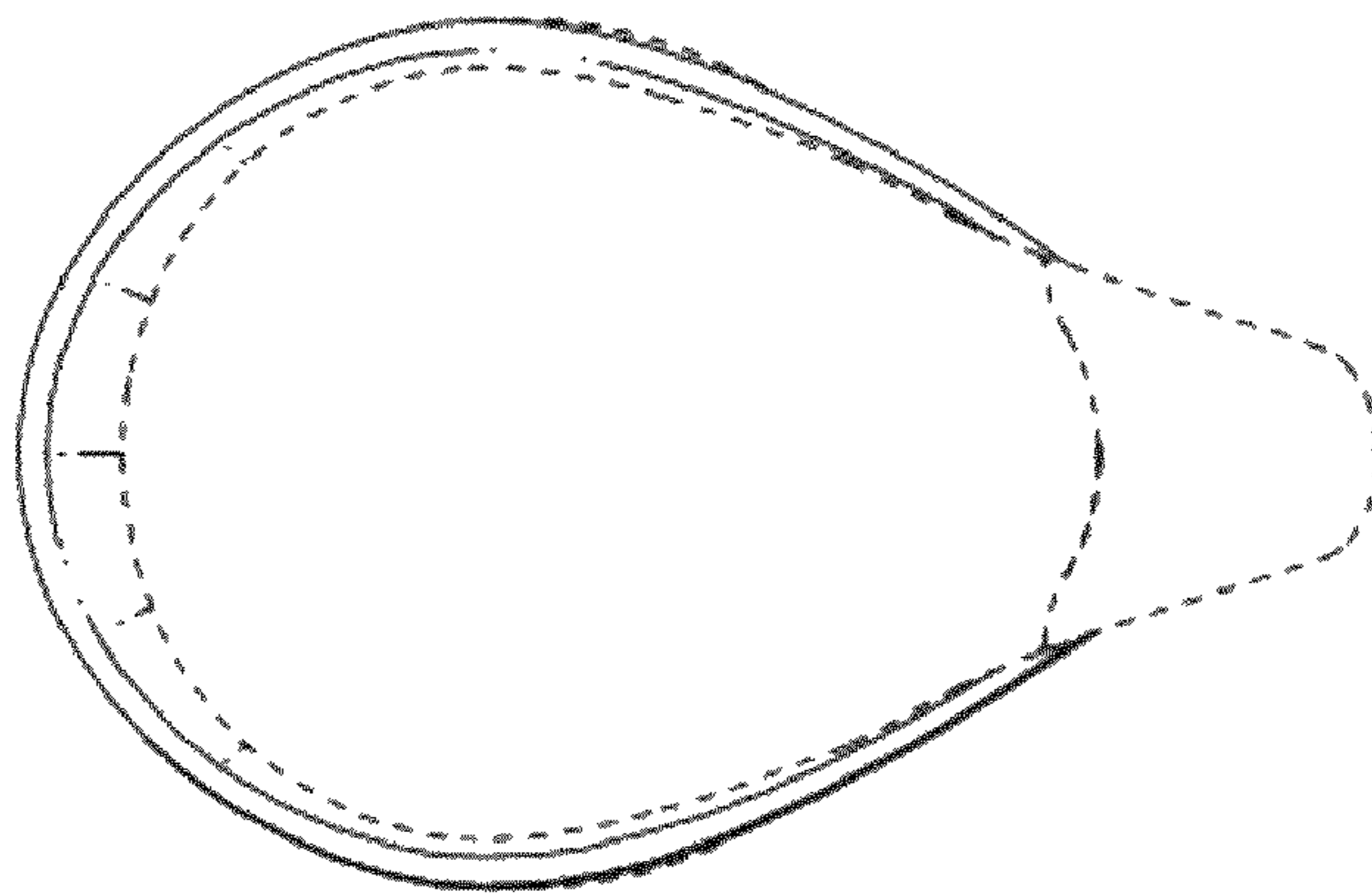


FIG. 5

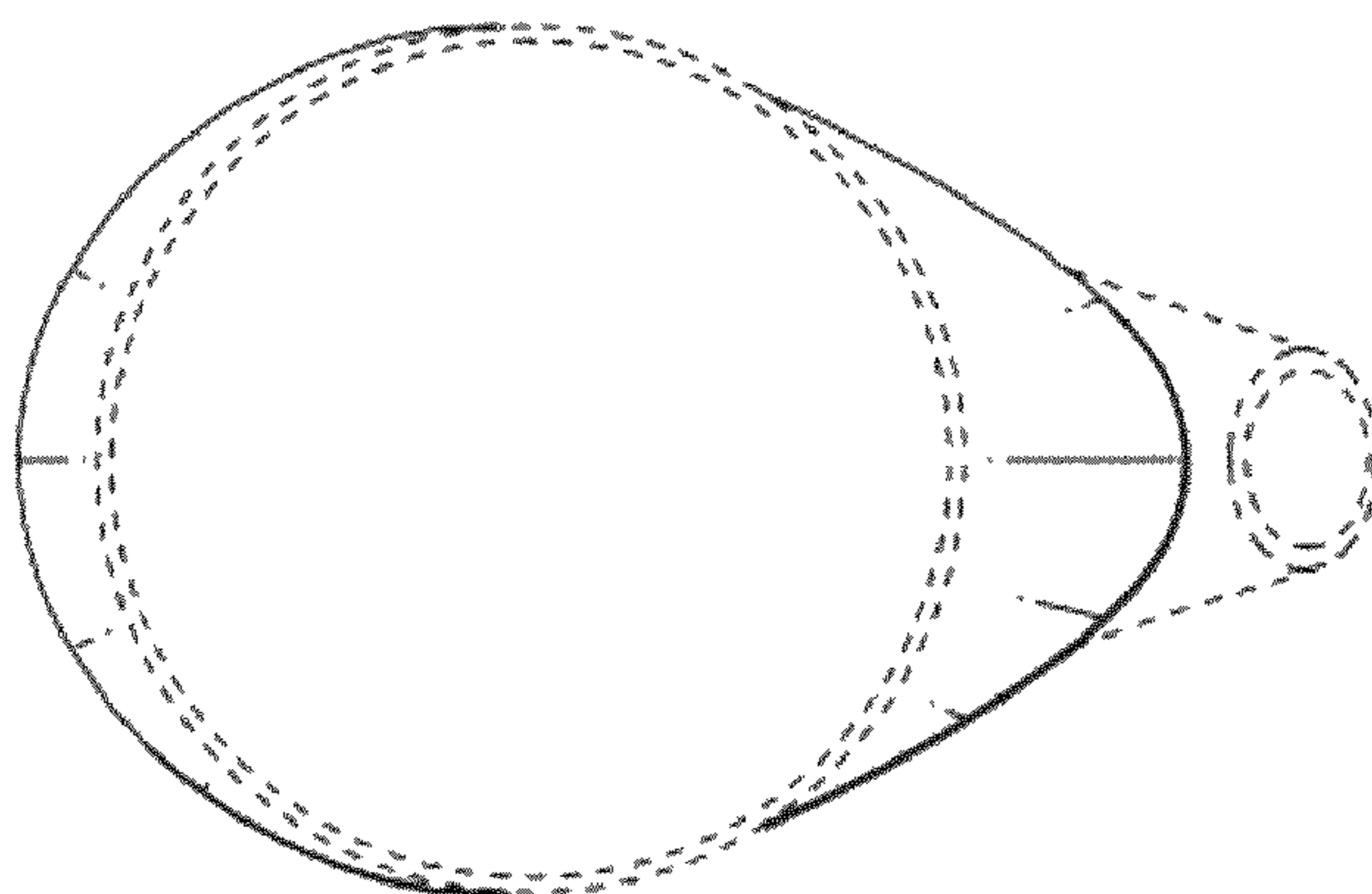


FIG. 6