

US00D660696S

(12) **United States Design Patent**  
**Weiss**

(10) **Patent No.:** **US D660,696 S**

(45) **Date of Patent:** **\*\* May 29, 2012**

(54) **LID FOR A CONTAINER**

(76) Inventor: **David Weiss**, Plantation, FL (US)

(\*\*) Term: **14 Years**

(21) Appl. No.: **29/408,780**

(22) Filed: **Dec. 16, 2011**

(51) **LOC (9) Cl.** ..... **09-07**

(52) **U.S. Cl.** ..... **D9/447; D9/454**

(58) **Field of Classification Search** ..... D9/454,  
D9/452, 449, 447, 440, 436, 435; D7/392.1;  
222/566, 521, 494; 220/837, 835, 811, 810,  
220/713, 711, 379, 375, 270, 266, 260, 254.7,  
220/254.3, 254.1; 215/322, 321, 306, 305,  
215/237, 235; 206/828, 734, 540, 539, 538,  
206/219, 216; 229/906.1

See application file for complete search history.

D516,424	S	*	3/2006	Schweigert et al.	.....	D9/447
7,063,224	B2		6/2006	Clarke et al.		
D591,151	S	*	4/2009	Freeman	.....	D9/447
D591,595	S		5/2009	Tedford, Jr.		
7,591,393	B2		9/2009	Crudgington, Jr.		
D609,046	S		2/2010	Valderrama et al.		
D629,298	S		12/2010	Wong		
D631,348	S	*	1/2011	Weiss et al.	.....	D9/447
D649,878	S		12/2011	Weiss		
2006/0071008	A1	*	4/2006	Sadlier	.....	220/713
2010/0012657	A1		1/2010	Levey		
2010/0096395	A1		4/2010	Miller		
2011/0290817	A1	*	12/2011	Weiss et al.	.....	229/906.1

\* cited by examiner

*Primary Examiner* — Susan Bennett Hattan

(74) *Attorney, Agent, or Firm* — Jacqueline Tadros, Esq.;  
Jacqueline Todras, P.A.

(57) **CLAIM**

The ornamental design for a lid for a container, as shown and described.

**DESCRIPTION**

FIG. 1 is a front side perspective view of the lid for a container of the present invention;

FIG. 2 is a rear side perspective view of the lid of the present invention;

FIG. 3 is a side view of the lid of the present invention;

FIG. 4 is a top view of the lid of the present invention;

FIG. 5 is a bottom view of the lid of the present invention; and,

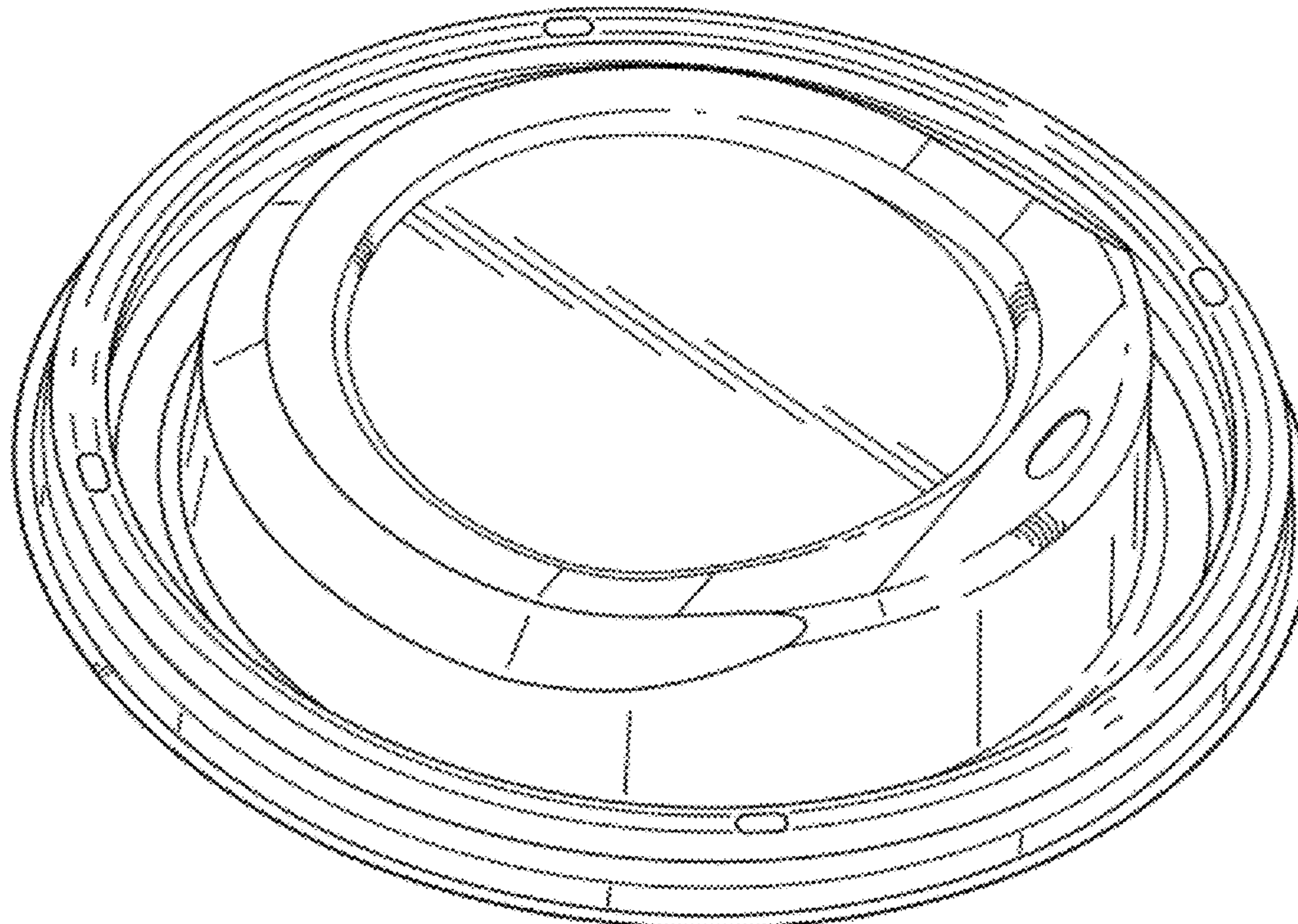
FIG. 6 is a cross sectional view of the lid of the present invention along line 6-6 of FIG. 4.

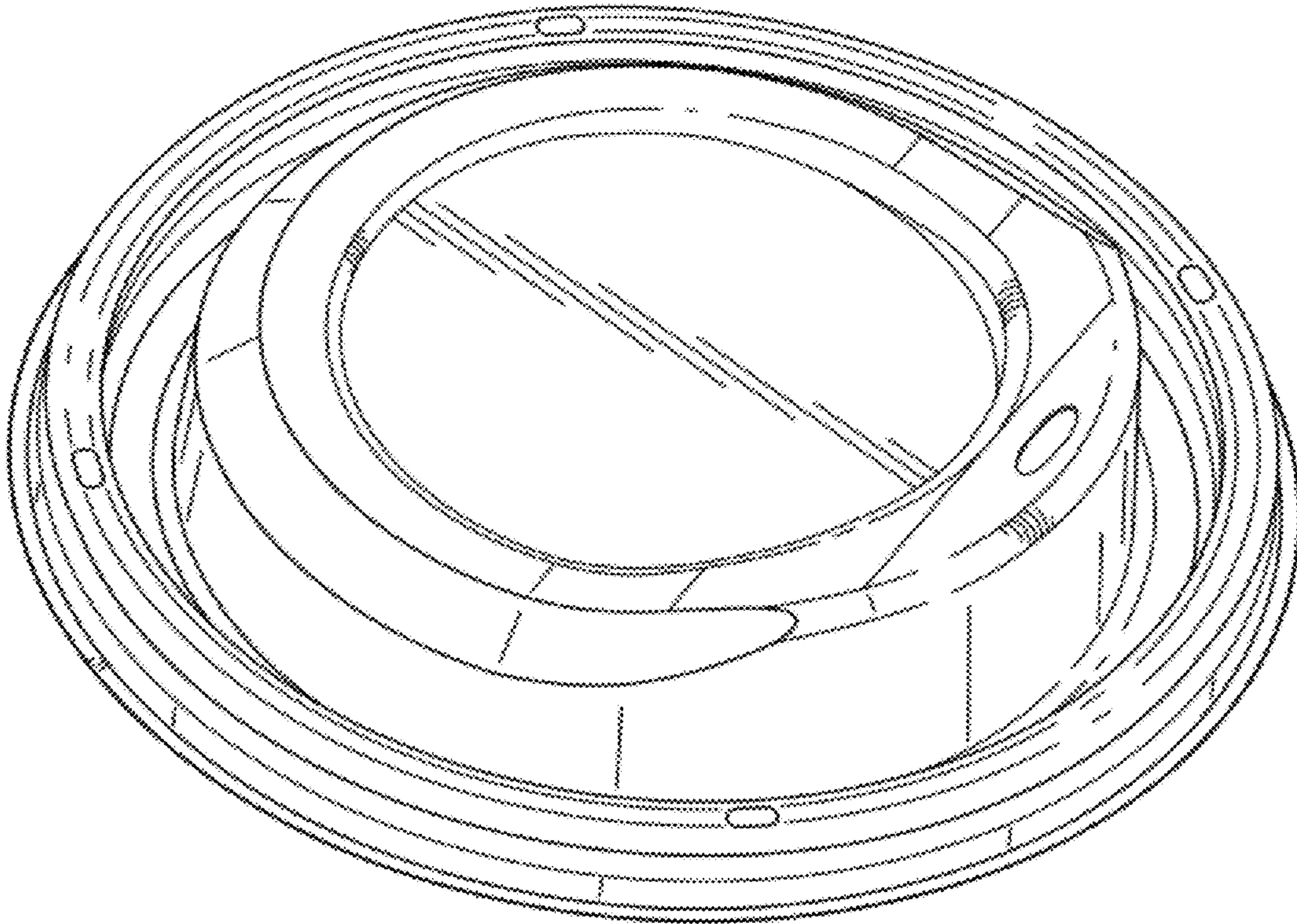
**1 Claim, 4 Drawing Sheets**

(56) **References Cited**

U.S. PATENT DOCUMENTS

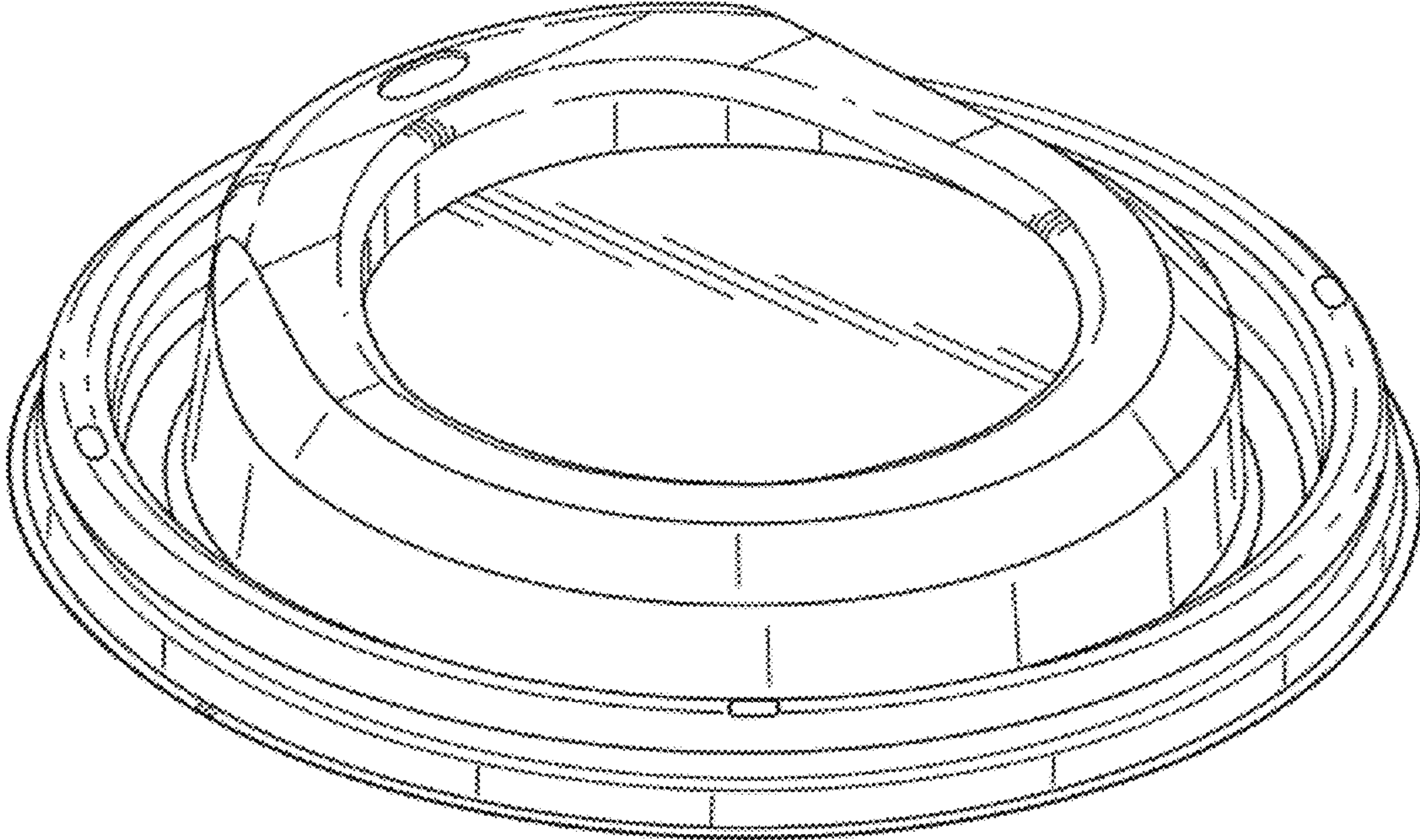
4,245,752	A	1/1981	Prueher
4,438,865	A	3/1984	Scattaregia
4,756,440	A	7/1988	Gartner
D417,845	S	12/1999	Sadlier et al.
6,230,924	B1	5/2001	Weiss et al.
6,488,170	B1	12/2002	Johnson
D468,206	S	1/2003	Weiss et al.
D469,693	S	2/2003	Weiss et al.
D476,567	S	7/2003	Weiss et al.
D476,891	S	7/2003	Clarke et al.
6,679,397	B2	1/2004	Smith et al.



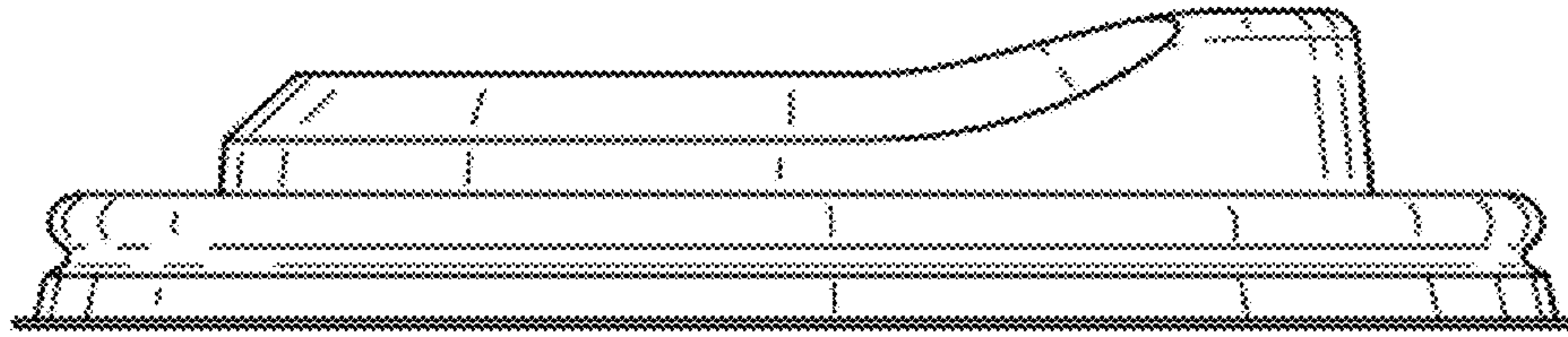


**FIG. 1**

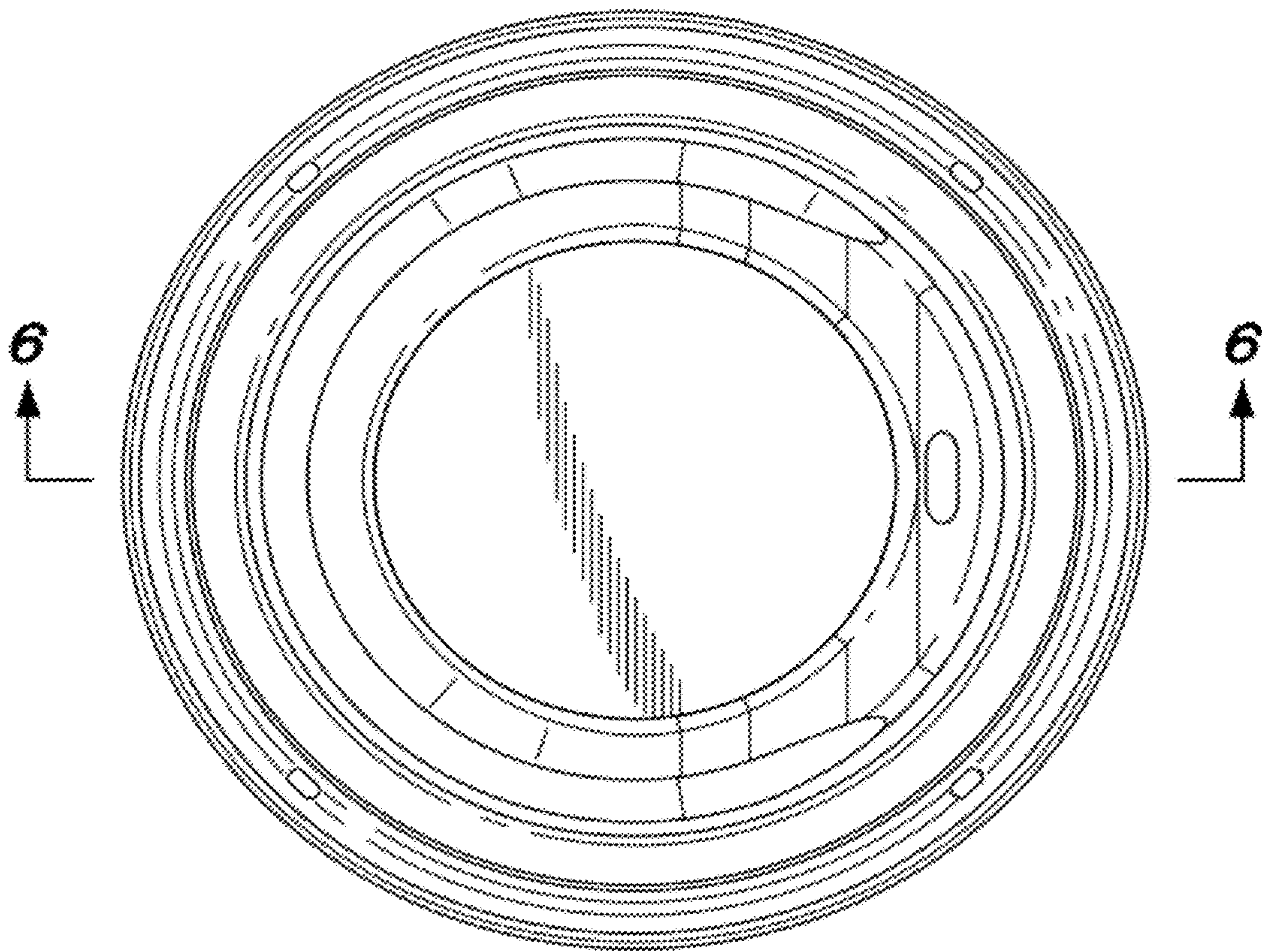




**FIG. 2**

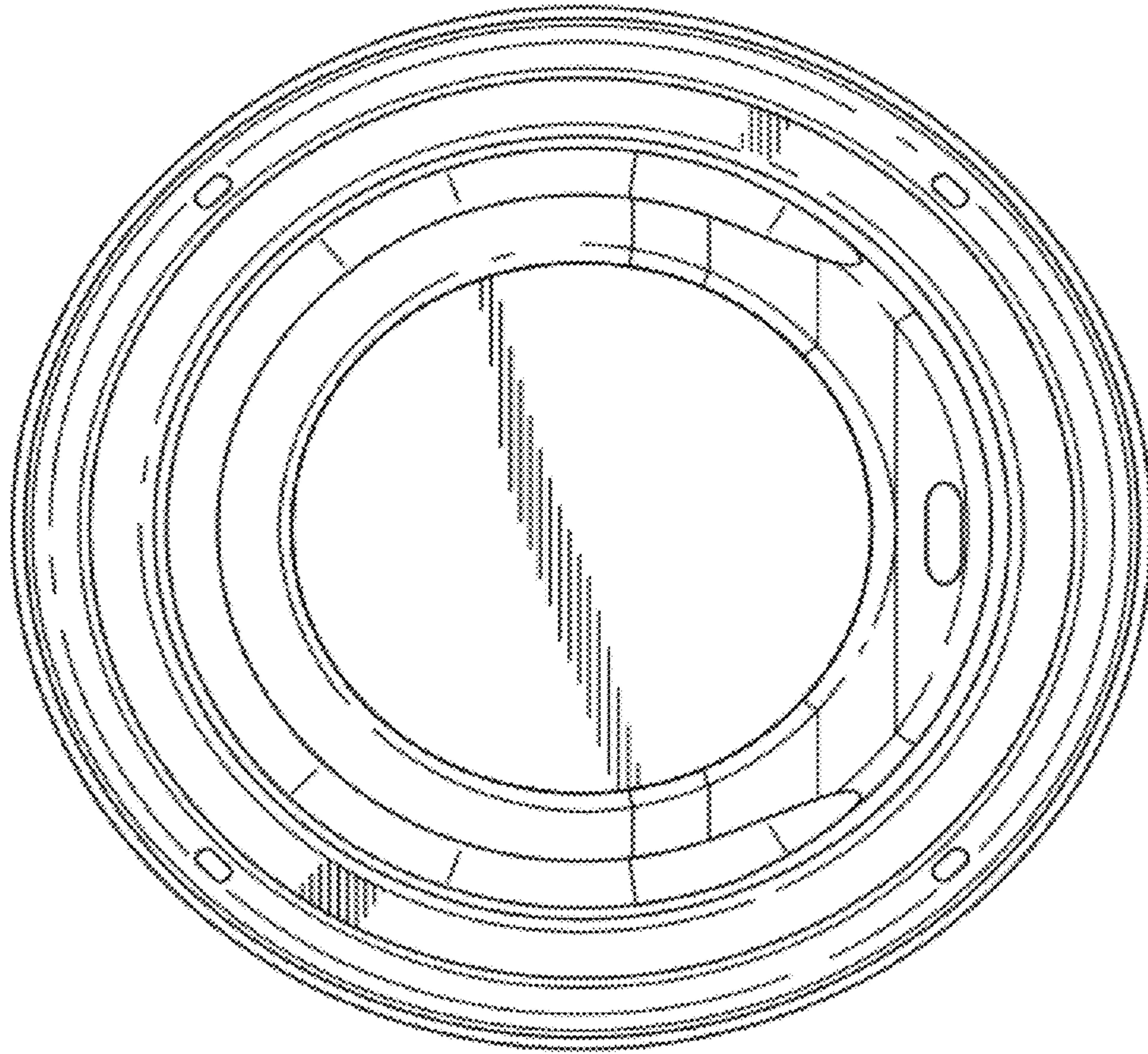


**FIG. 3**

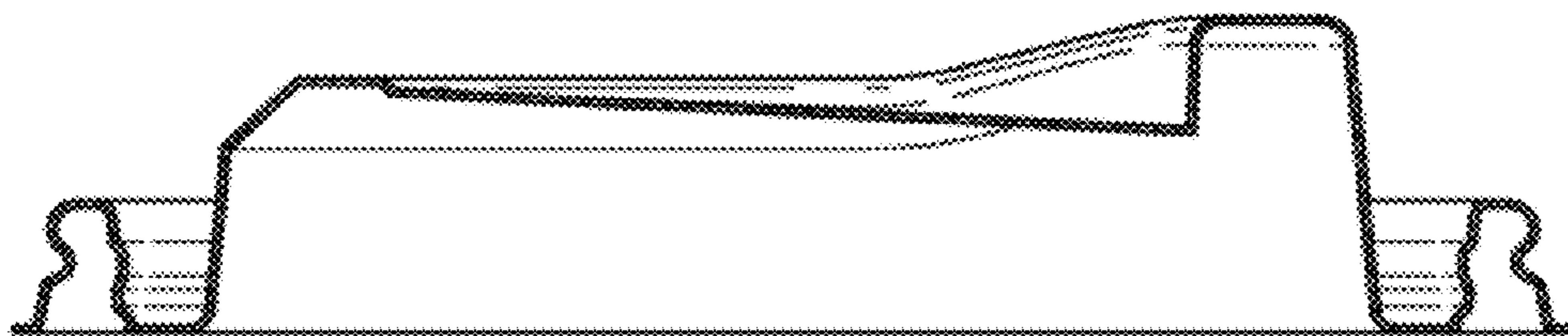


**FIG. 4**





**FIG. 5**



**FIG. 6**