

US00D660695S

(12) **United States Design Patent**  
**Ishizawa et al.**

(10) **Patent No.:** **US D660,695 S**

(45) **Date of Patent:** **\*\* May 29, 2012**

(54) **CONTAINER CAP WITH STOPPER**

(56) **References Cited**

(75) Inventors: **Taku Ishizawa**, Shiojiri (JP); **Hitoshi Matsumoto**, Matsumoto (JP); **Mitsuto Yanagisawa**, Matsumoto (JP); **Yaeko Onishi**, Shinshiro (JP)

U.S. PATENT DOCUMENTS

D137,719	S	*	4/1944	Smith	.....	D9/440
D175,095	S	*	7/1955	St. Clair	.....	D9/453
5,908,124	A	*	6/1999	Klauke et al.	.....	215/48
6,068,148	A	*	5/2000	Weiler	.....	215/48
6,543,655	B1	*	4/2003	de Laforcade	.....	222/541.9
D524,649	S	*	7/2006	Samartgis	.....	D9/447
D532,295	S	*	11/2006	Stull	.....	D9/435
D551,075	S	*	9/2007	Puller	.....	D9/447

(73) Assignee: **Seiko Epson Corporation**, Tokyo (JP)

\* cited by examiner

(\*\*) Term: **14 Years**

*Primary Examiner* — Susan Bennett Hattan

(21) Appl. No.: **29/387,180**

(57) **CLAIM**

(22) Filed: **Mar. 10, 2011**

The ornamental design for a container cap with stopper, as shown and described.

(30) **Foreign Application Priority Data**

**DESCRIPTION**

Sep. 17, 2010 (JP) ..... 2010-022553  
Nov. 30, 2010 (EM) ..... 001787524

FIG. 1 is a front, top, and right side perspective view of a container cap with stopper according to the present design; FIG. 2 is a front view thereof; FIG. 3 is a rear view thereof; FIG. 4 is a top plan view thereof; FIG. 5 is a bottom plan view thereof; FIG. 6 is a right side view thereof, the left side view being a mirror image of FIG. 6; FIG. 7 is a vertical section view taken along a central line of FIG. 2; and, FIG. 8 is a referential view showing the article in use. The features shown in broken lines in the drawings depict environmental subject matter only and form no part of the claimed design. The dashed-dotted lines denote the boundary of the claim and form no part of the claimed design.

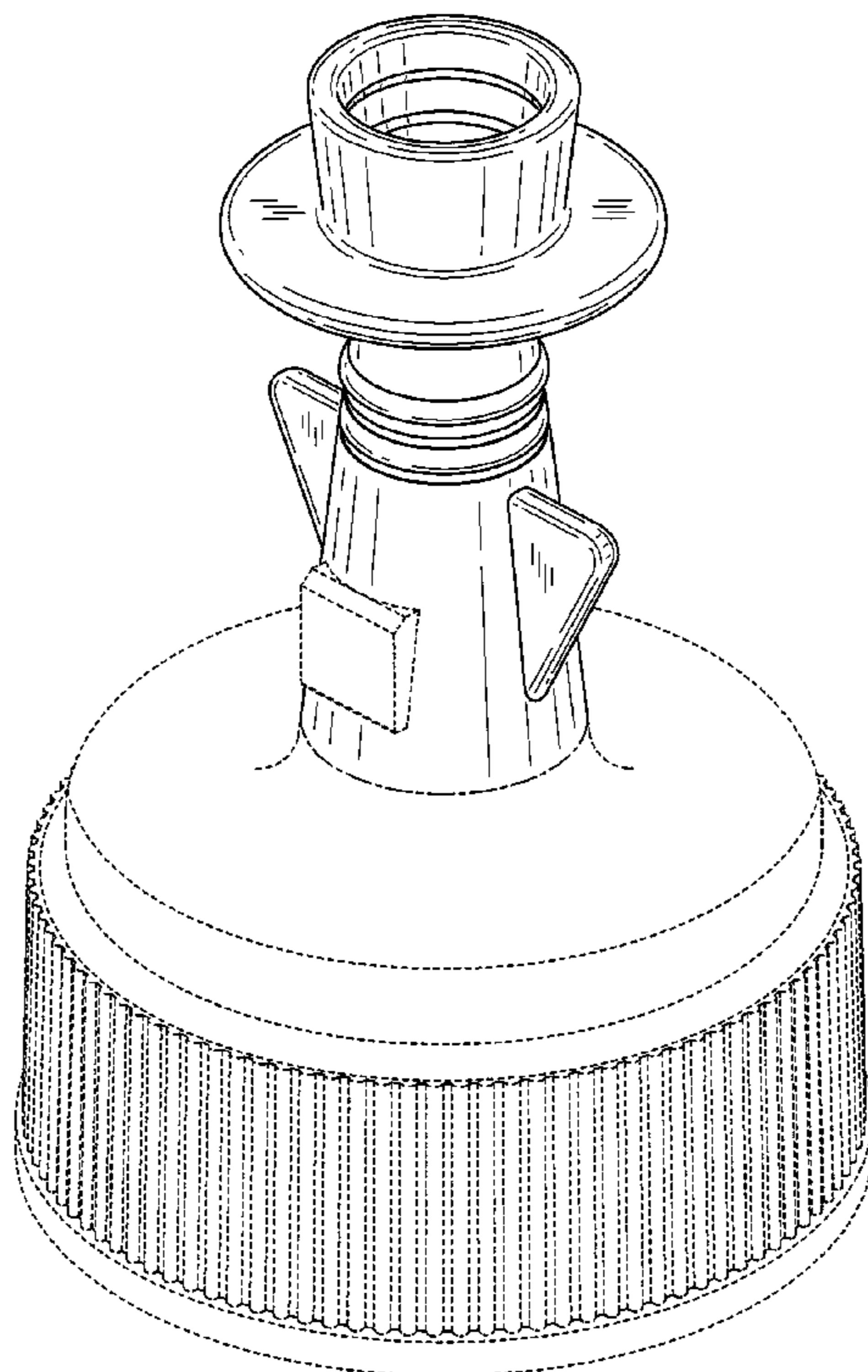
(51) **LOC (9) Cl.** ..... **09-07**

(52) **U.S. Cl.** ..... **D9/447**; D9/443; D9/439; D9/449; D9/453; D9/436

(58) **Field of Classification Search** ..... D9/453, D9/452, 448, 447, 443, 440, 436, 435, 434; D7/511, 510, 398, 397, 396.2; 220/915.1, 220/751, 733, 719, 715, 713, 711, 708, 703, 220/255; 215/388, 387, 229, 48; 222/570, 222/569, 571, 108

See application file for complete search history.

**1 Claim, 8 Drawing Sheets**



**Fig. 1**

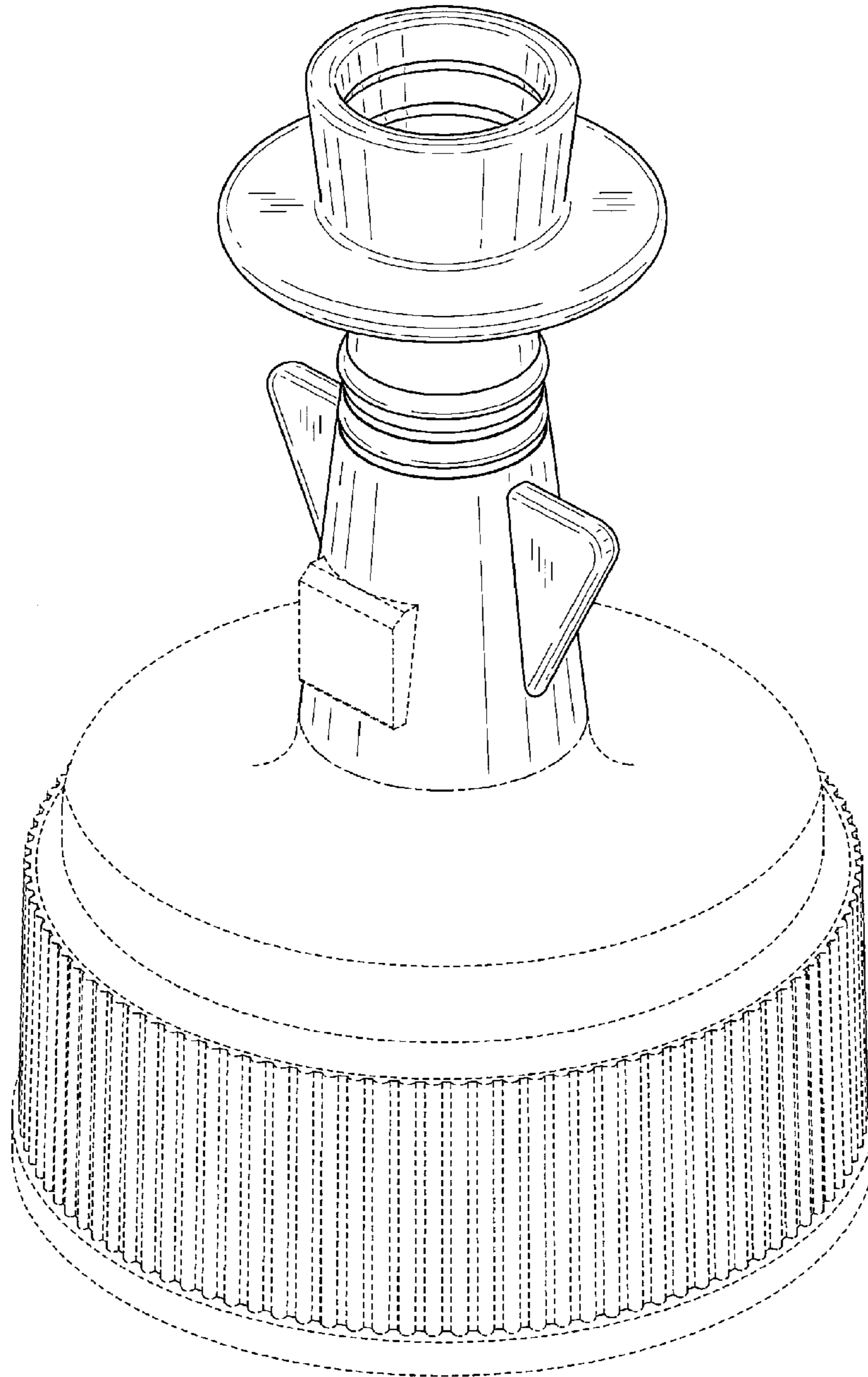
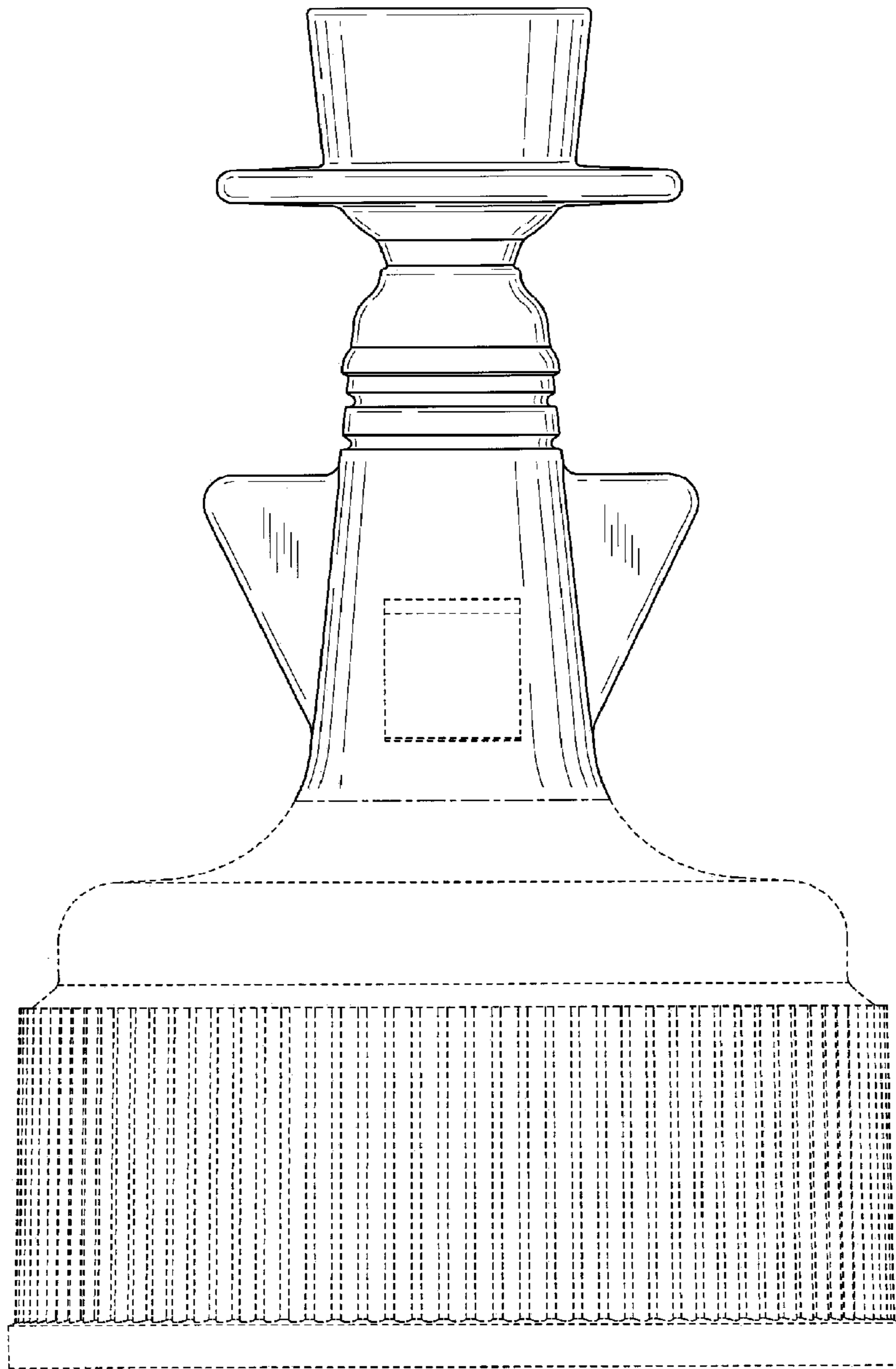
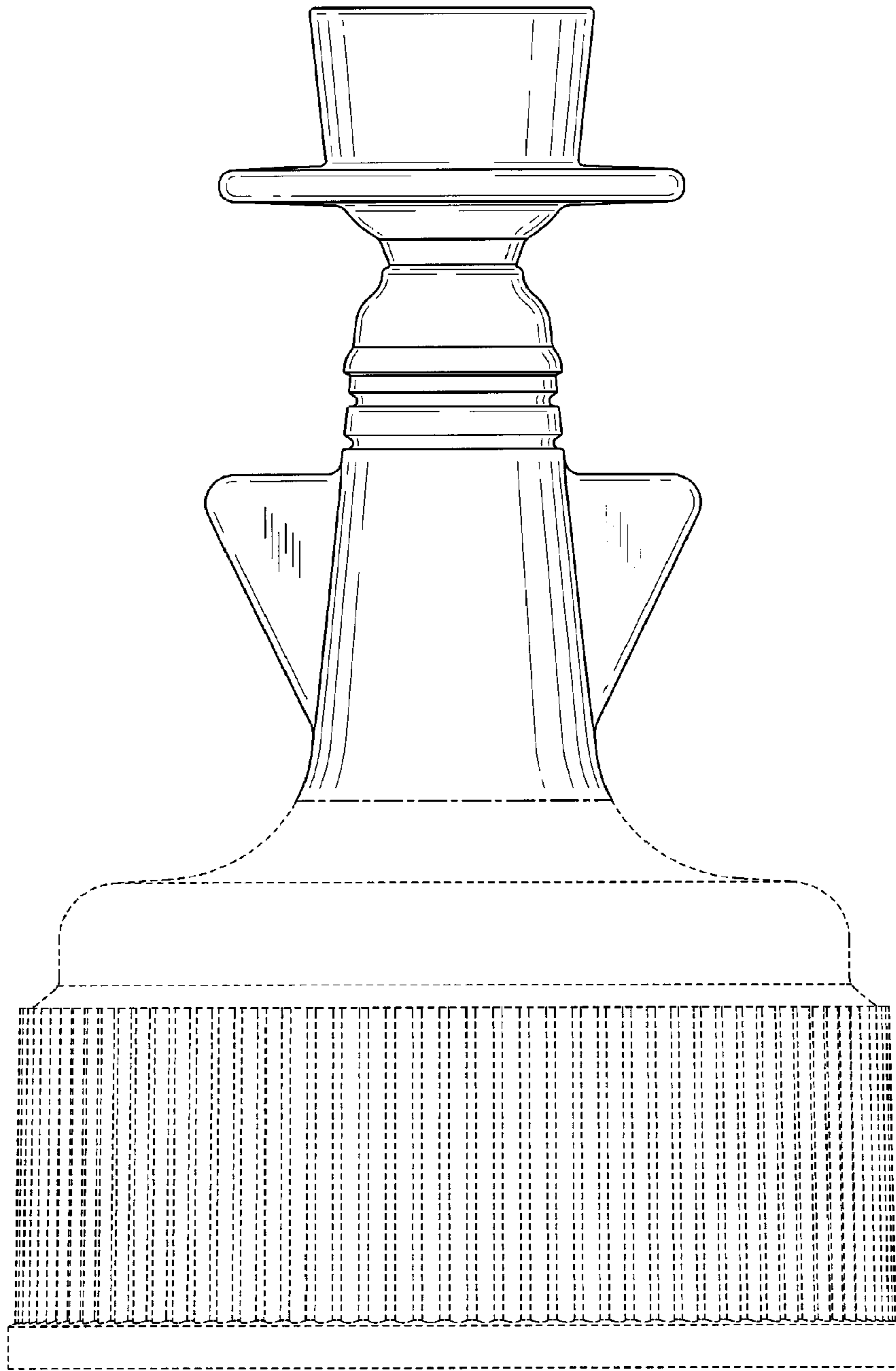


Fig. 2



**Fig. 3**



**Fig. 4**

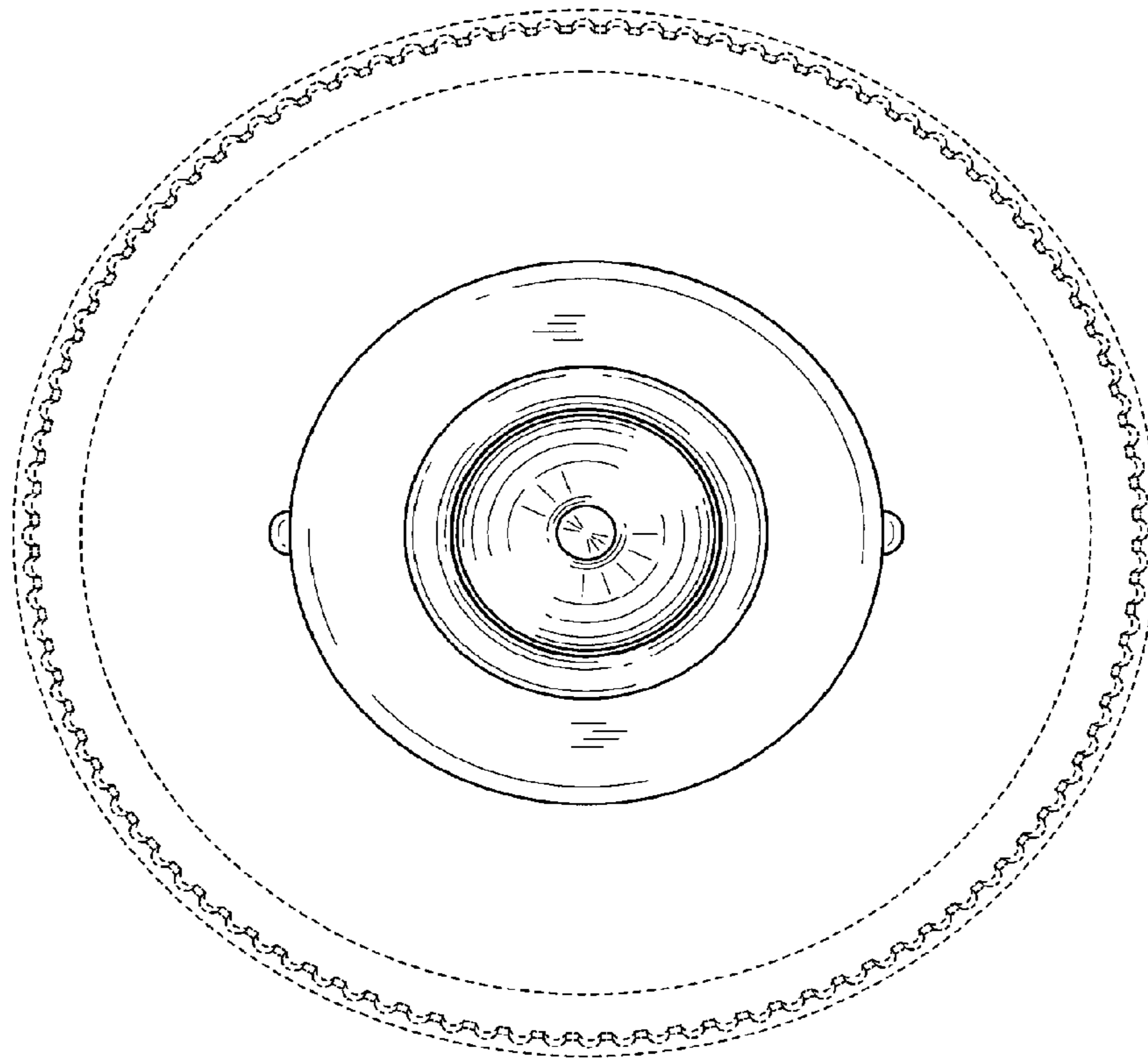




Fig. 5

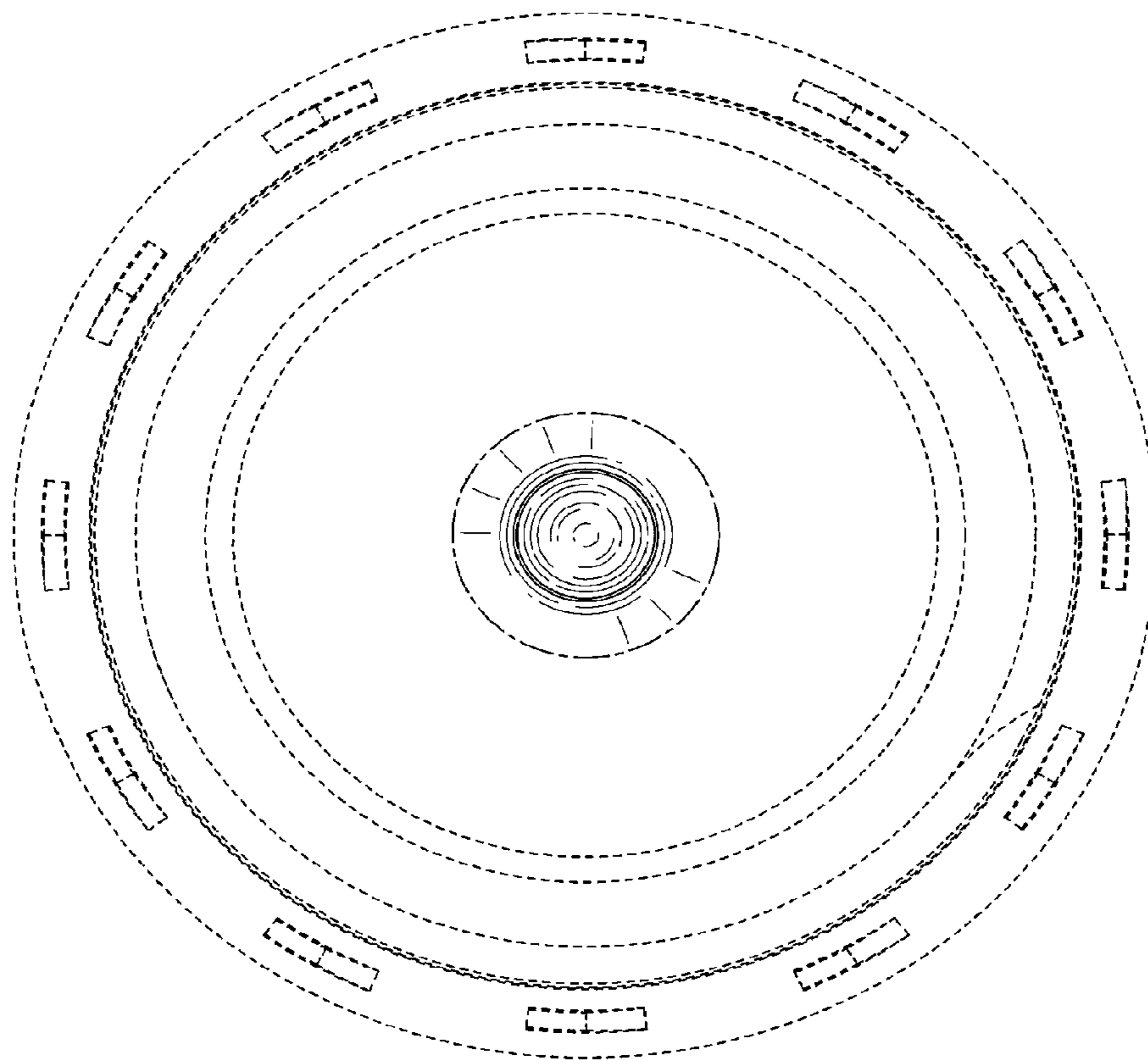


Fig. 6

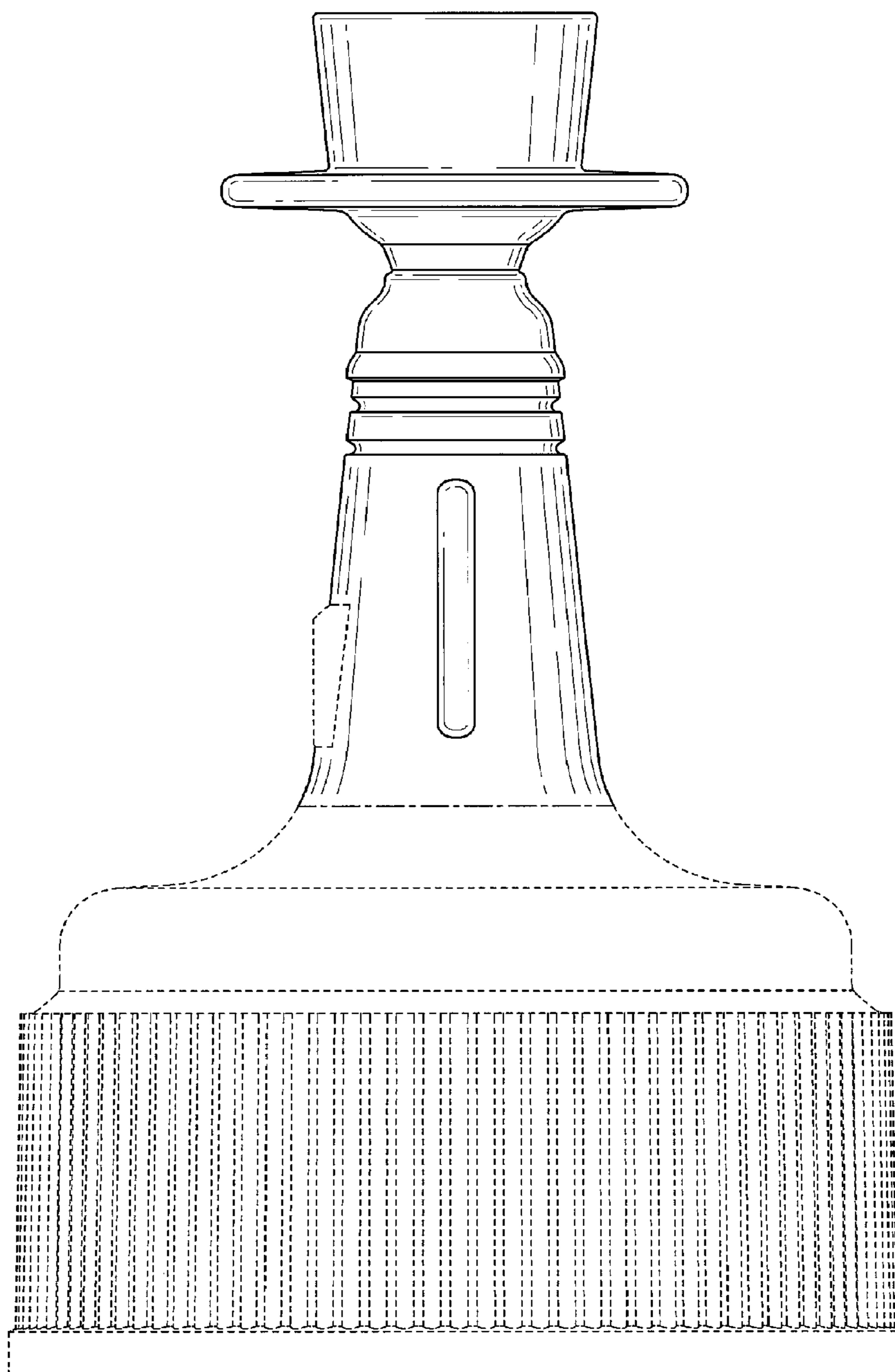


Fig. 7

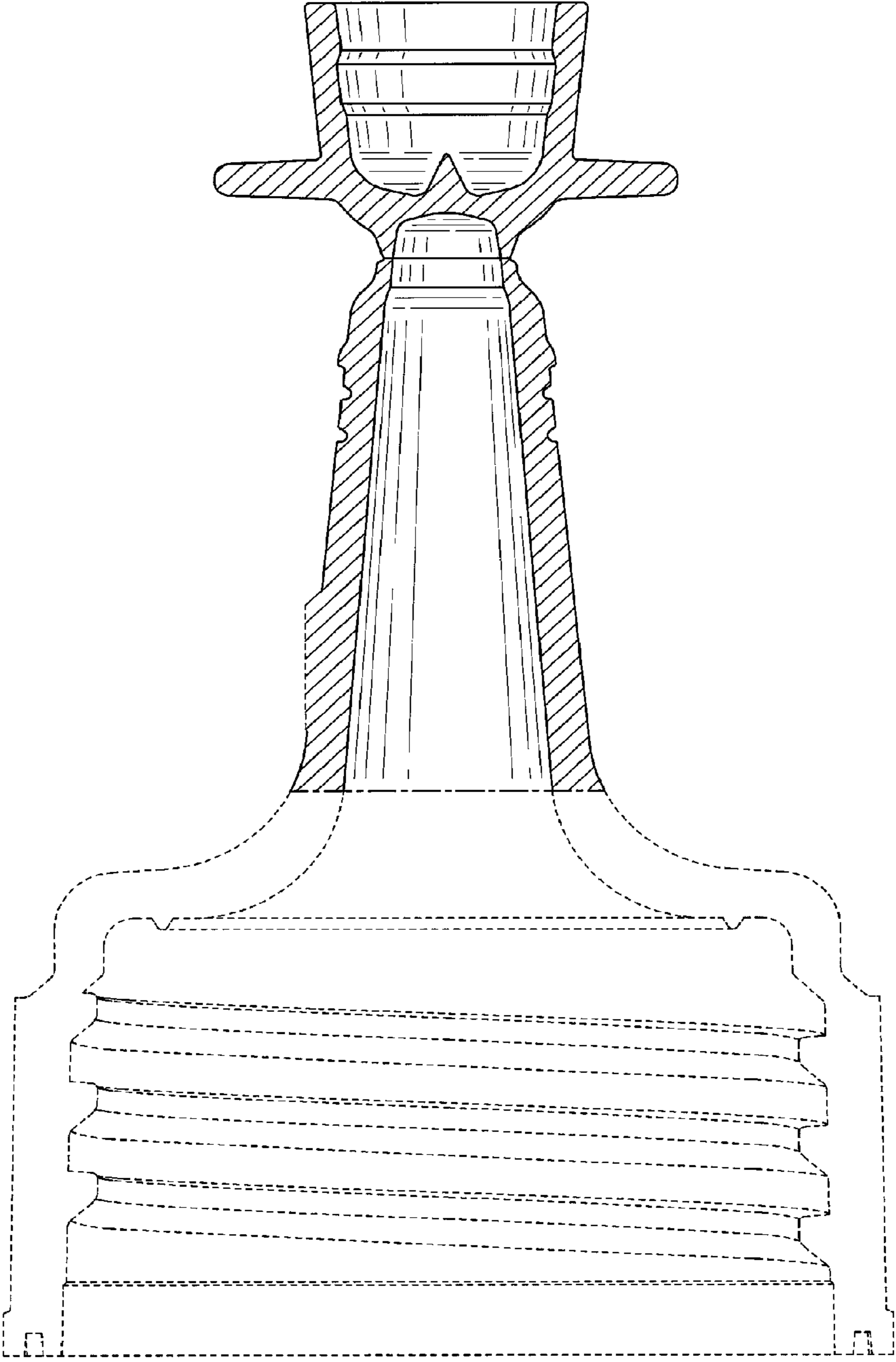




Fig. 8

