



US00D660693S

(12) **United States Design Patent**  
**Berggren**

(10) **Patent No.:** **US D660,693 S**

(45) **Date of Patent:** **\*\* May 29, 2012**

(54) **TOBACCO BOX**

(75) Inventor: **Adam Berggren**, Malmo (SE)

(73) Assignee: **Fiedler & Lundgren AB**, Malmo (ES)

(\*\*) Term: **14 Years**

(21) Appl. No.: **29/354,892**

(22) Filed: **Jan. 29, 2010**

(30) **Foreign Application Priority Data**

Aug. 5, 2009 (EM) ..... 001157606

(51) **LOC (9) Cl.** ..... **09-03**

(52) **U.S. Cl.** ..... **D9/428; D9/421**

(58) **Field of Classification Search** ..... 222/92;  
206/6.1, 5.1, 303, 530-538, 566, 581, 823,  
206/459.5; 220/8, 4.26, 4.27, 253, 288, 376,  
220/380, 907; 229/4.5; 132/293-294, 315;  
D28/7-8, 76-82; D3/203.1-203.8, 201,  
D3/205; D9/428, 414, 420-424, 503, 504,  
D9/521, 337, 780

See application file for complete search history.

(56) **References Cited**

**U.S. PATENT DOCUMENTS**

4,098,421	A	7/1978	Foster	
4,165,815	A	8/1979	Vetter	
D403,470	S	12/1998	Litton et al.	
H1855	H	8/2000	Litton et al.	
D431,458	S	10/2000	Bried et al.	
D441,144	S	4/2001	Vanoncini	
D464,886	S *	10/2002	Bried et al.	D9/504
D470,273	S	2/2003	Revivo	
D494,474	S	8/2004	Houk et al.	
D503,889	S	4/2005	Yeung	
D510,524	S	10/2005	Houk et al.	
D515,426	S	2/2006	Pace et al.	
D531,036	S	10/2006	Bried et al.	
D603,698	S	11/2009	VerWeyst	

D621,603	S *	8/2010	Traylor	D3/203.2
D625,047	S *	10/2010	Gibson et al.	D27/183
D626,687	S *	11/2010	Gibson et al.	D27/183
D635,015	S *	3/2011	McKenzie	D9/416
D637,903	S	5/2011	Ghiotti et al.	
D640,545	S *	6/2011	Gibson et al.	D9/428
D640,546	S *	6/2011	Berggren	D9/428

(Continued)

*Primary Examiner* — Thomas Johannes

(74) *Attorney, Agent, or Firm* — Chadbourne & Parke LLP

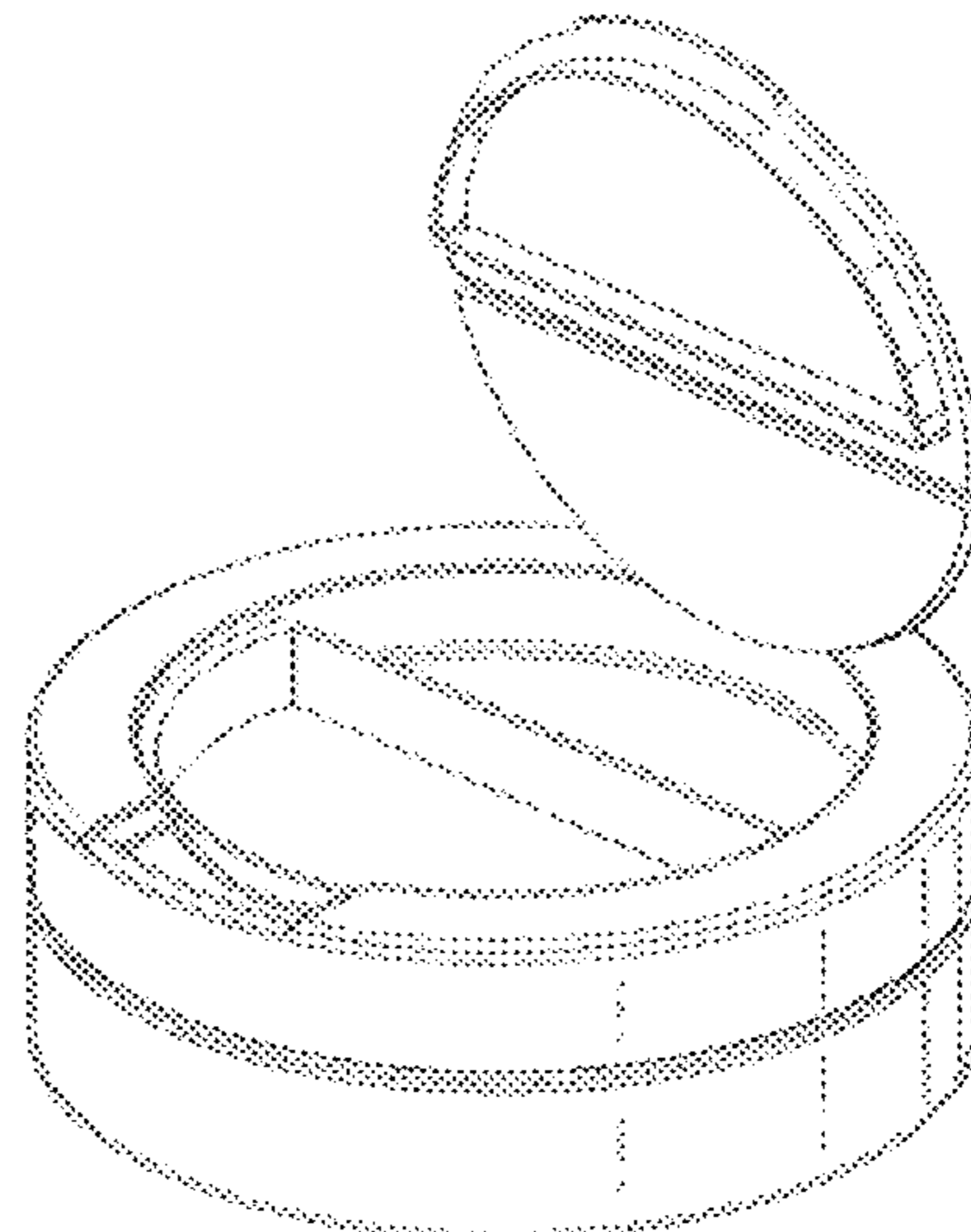
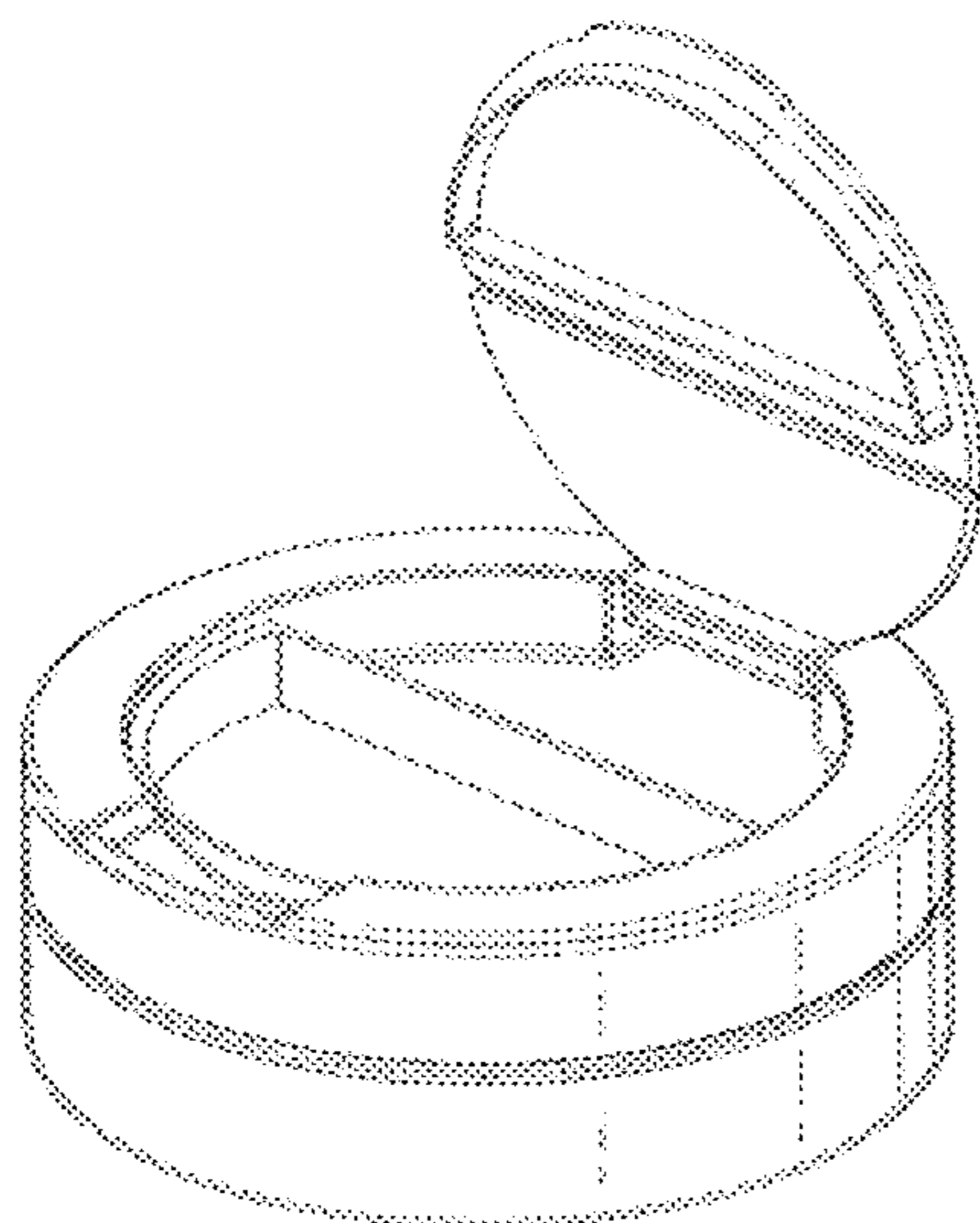
(57) **CLAIM**

The ornamental design for a tobacco box, as shown and described.

**DESCRIPTION**

FIG. 1 is a front top perspective view of a tobacco box showing the design of a first embodiment of the disclosed invention with the lid in a first open position;  
 FIG. 2 is a front top perspective view thereof with the lid in a second open position;  
 FIG. 3 is a top view thereof with the lid in a closed position;  
 FIG. 4 is a bottom view thereof;  
 FIG. 5 is a front side view thereof with the lid in a closed position;  
 FIG. 6 is a rear side view thereof with the lid in a closed position;  
 FIG. 7 is a front top perspective view of a tobacco box showing the design of a second embodiment of the disclosed invention with the lid in a first open position;  
 FIG. 8 is a front top perspective view thereof with the lid in a second open position;  
 FIG. 9 is a top view thereof with the lid in a closed position;  
 FIG. 10 is a bottom view thereof;  
 FIG. 11 is a front side view thereof with the lid in a closed position; and,  
 FIG. 12 is a rear side view thereof with the lid in a closed position.

**1 Claim, 6 Drawing Sheets**



# US D660,693 S

Page 2

---

## U.S. PATENT DOCUMENTS

D649,869 S	*	12/2011	Gibson et al. ....	D9/421	2005/0173272 A1	8/2005	Lemmons, IV
D650,269 S	*	12/2011	Berggren .....	D9/428	2006/0060480 A1	3/2006	Budd
D651,519 S	*	1/2012	Gibson et al. ....	D9/529	2010/0012534 A1	1/2010	Hoffman

\* cited by examiner

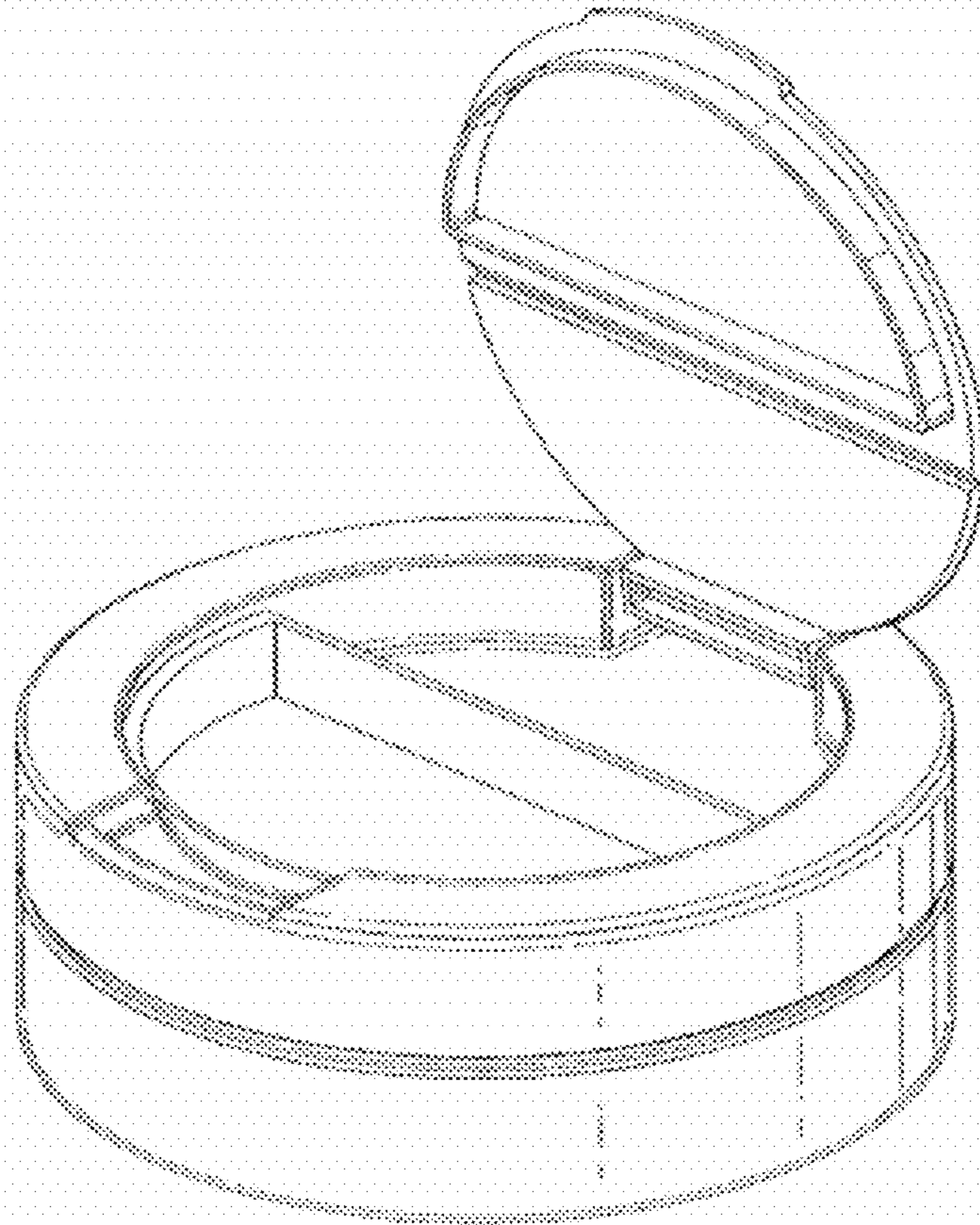


Figure 1

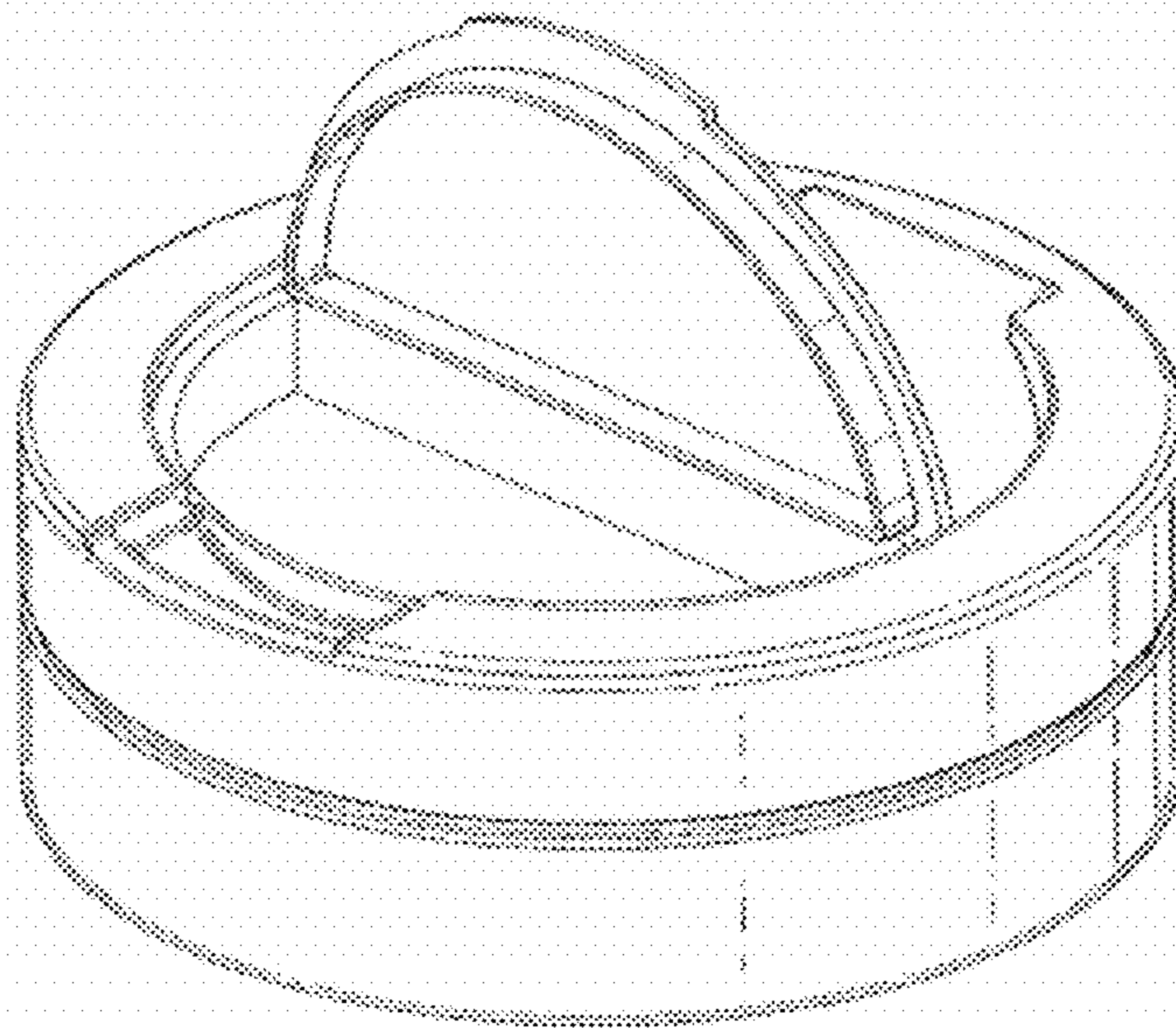


Figure 2



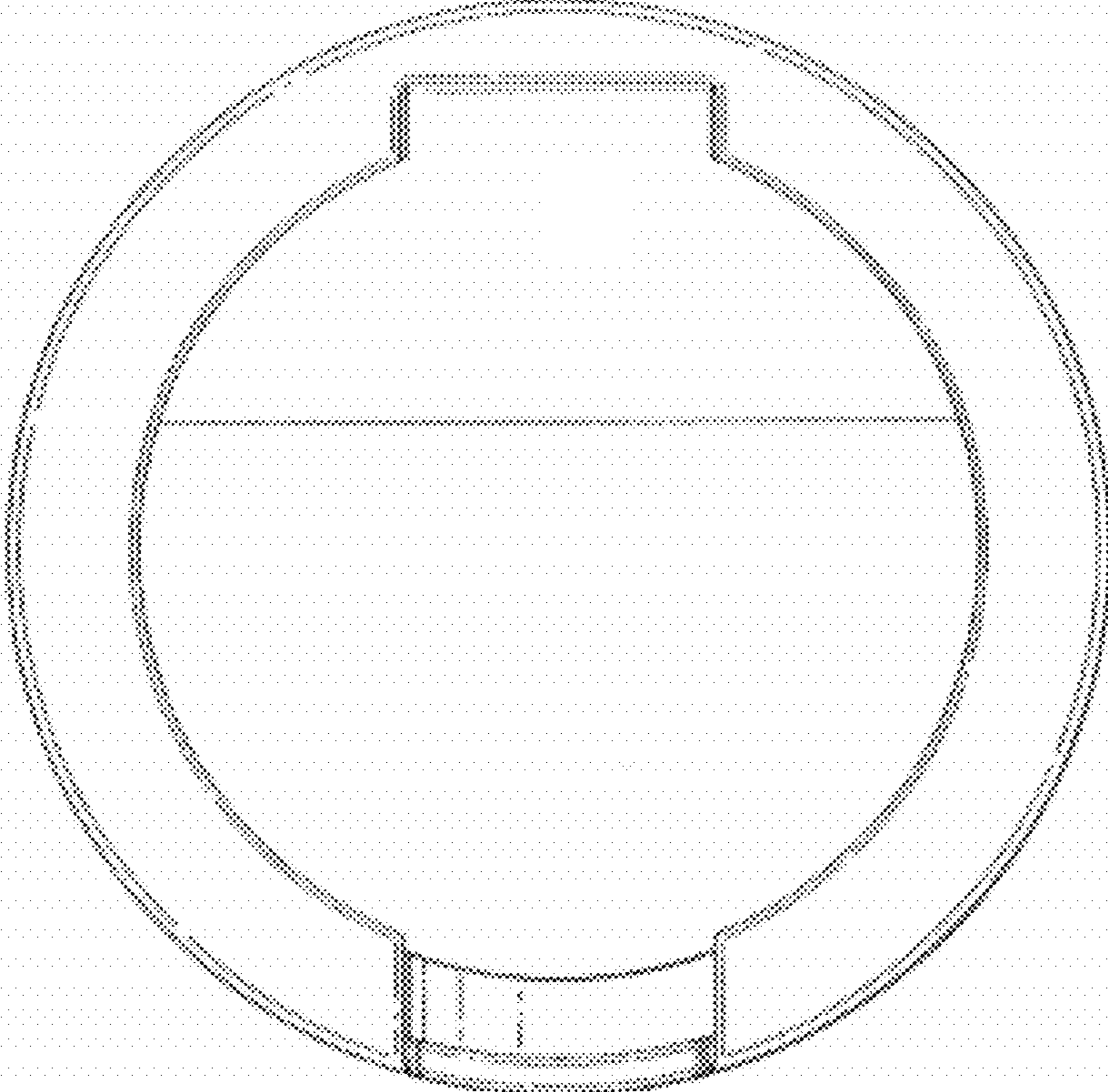


Figure 3

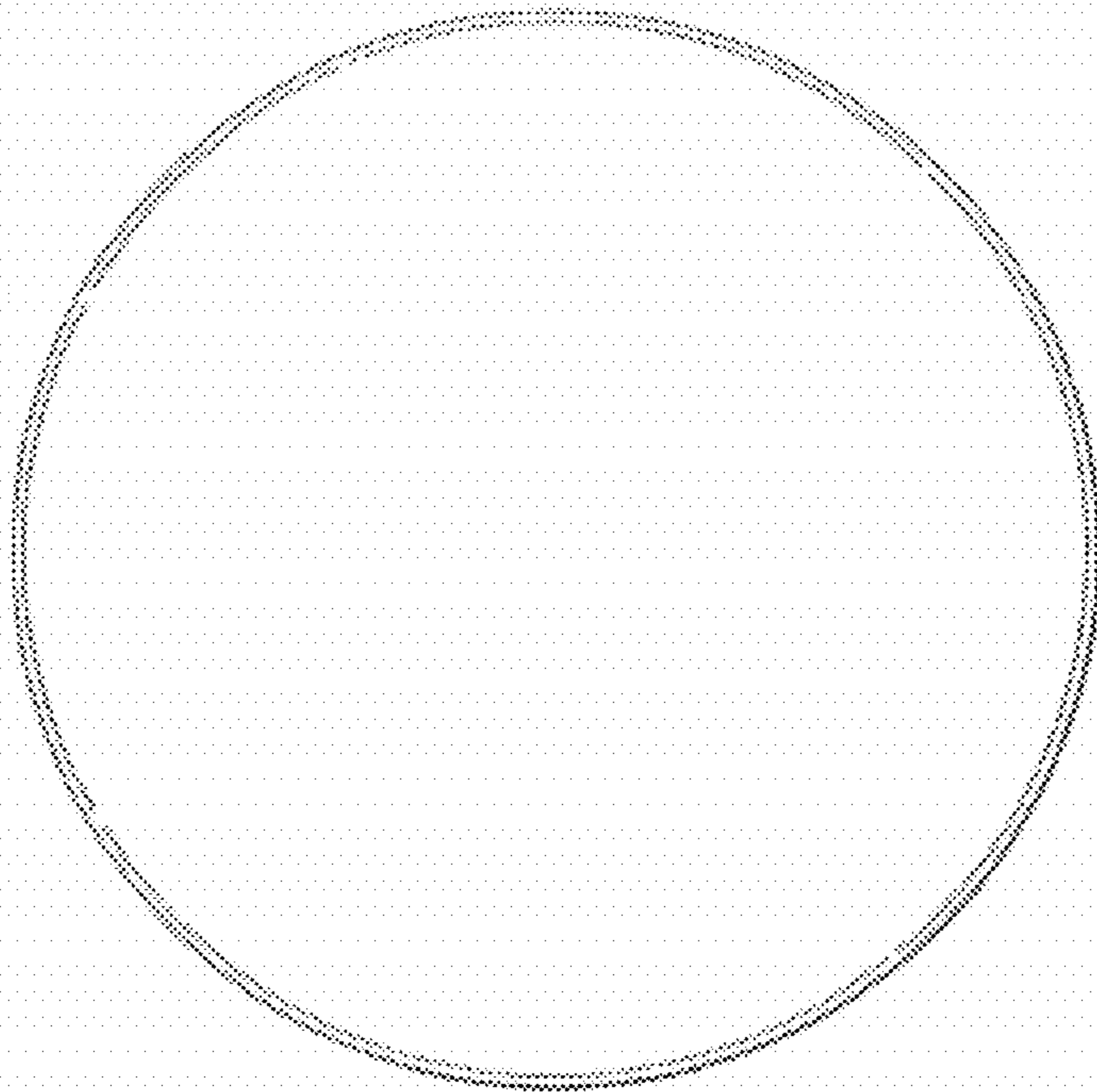


Figure 4

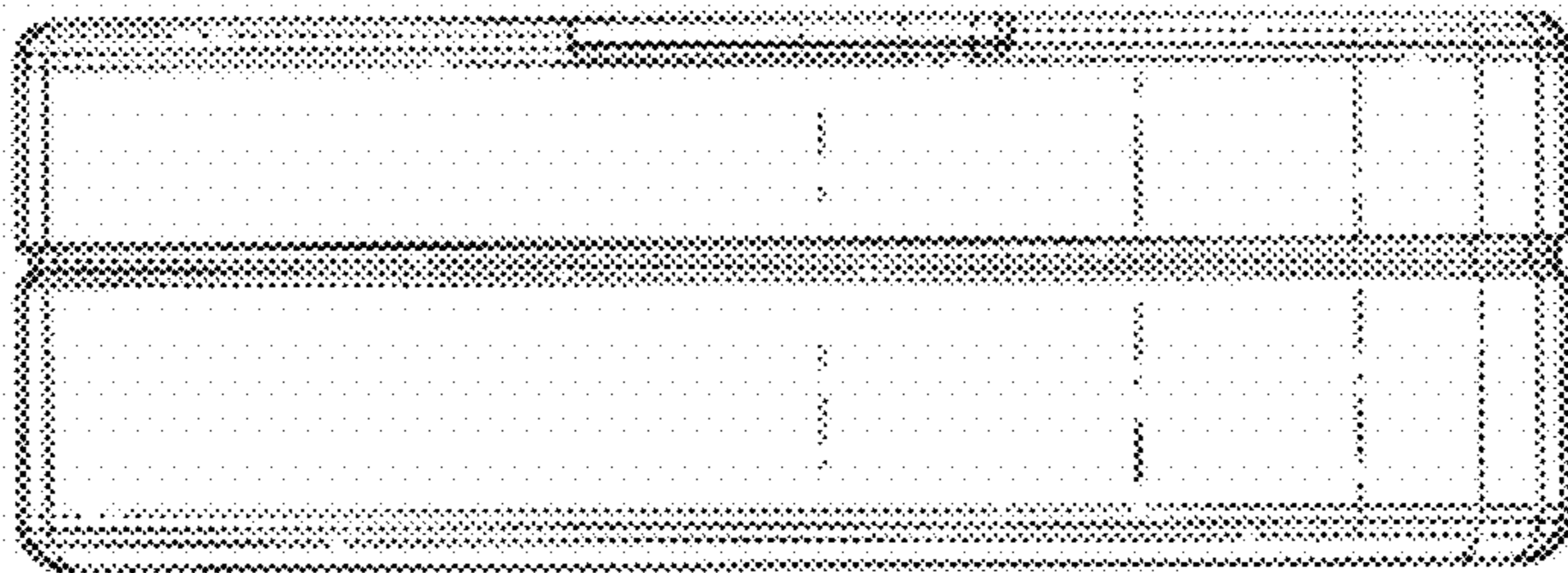


Figure 5

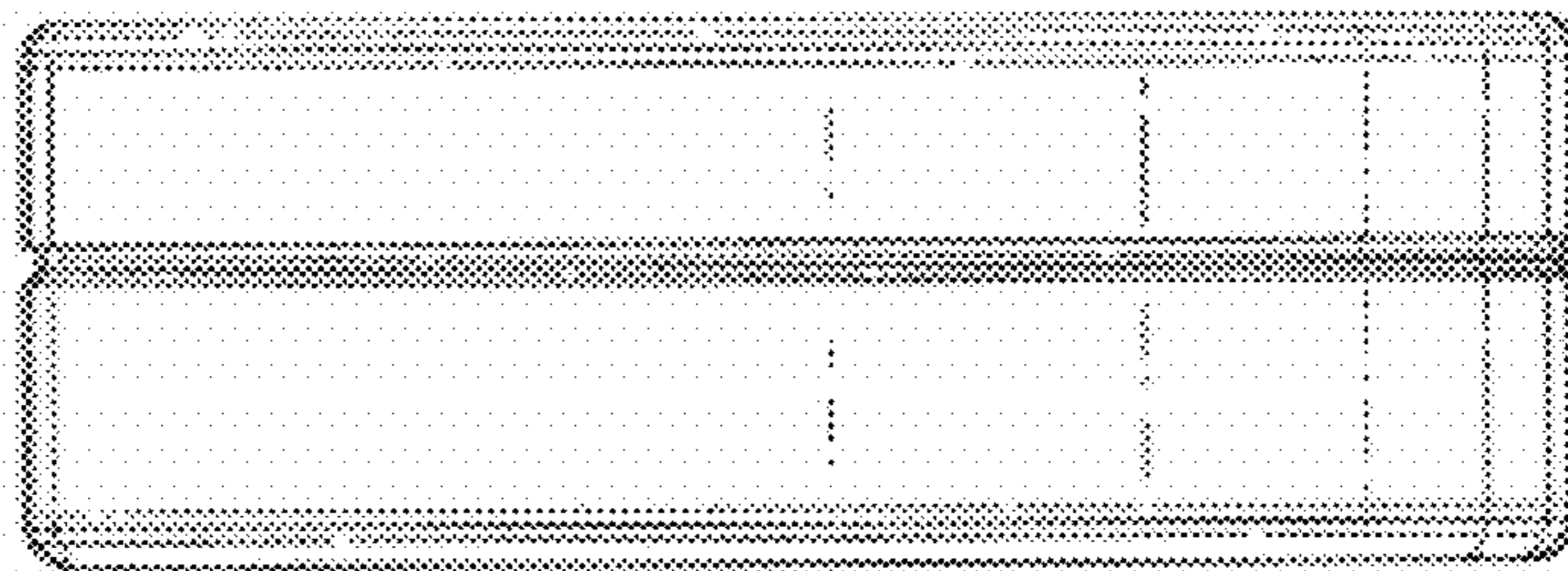


Figure 6

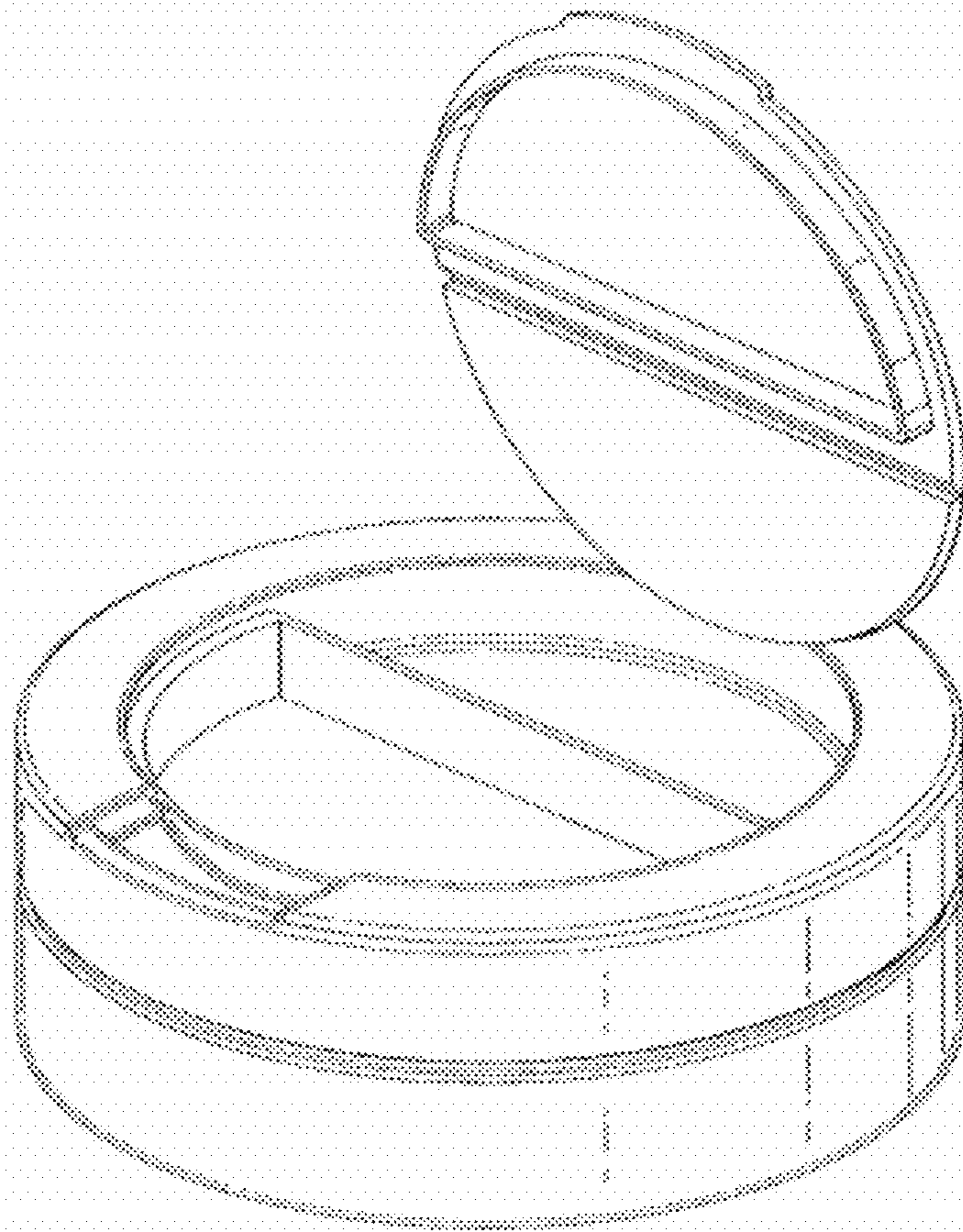


Figure 7

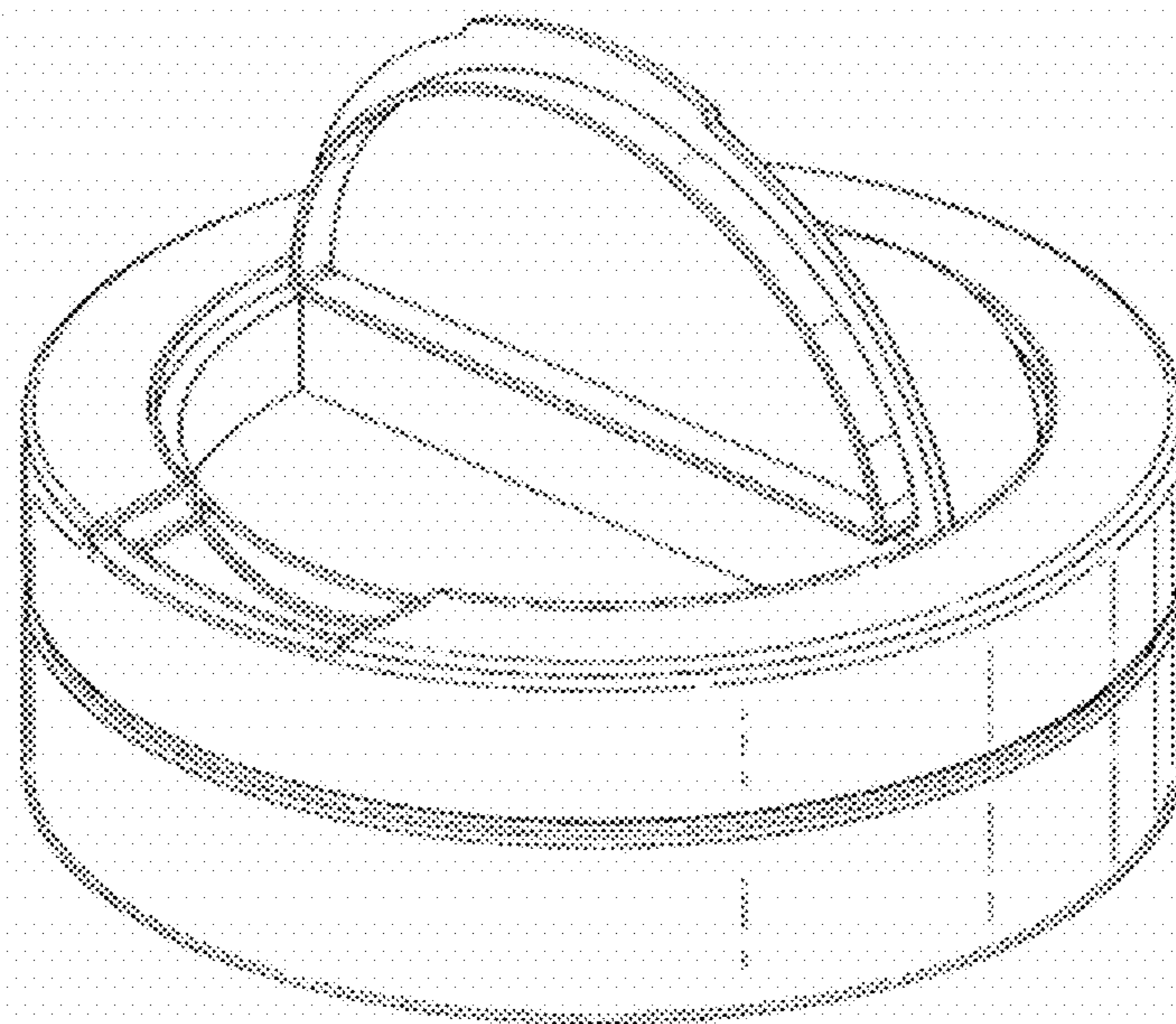


Figure 8



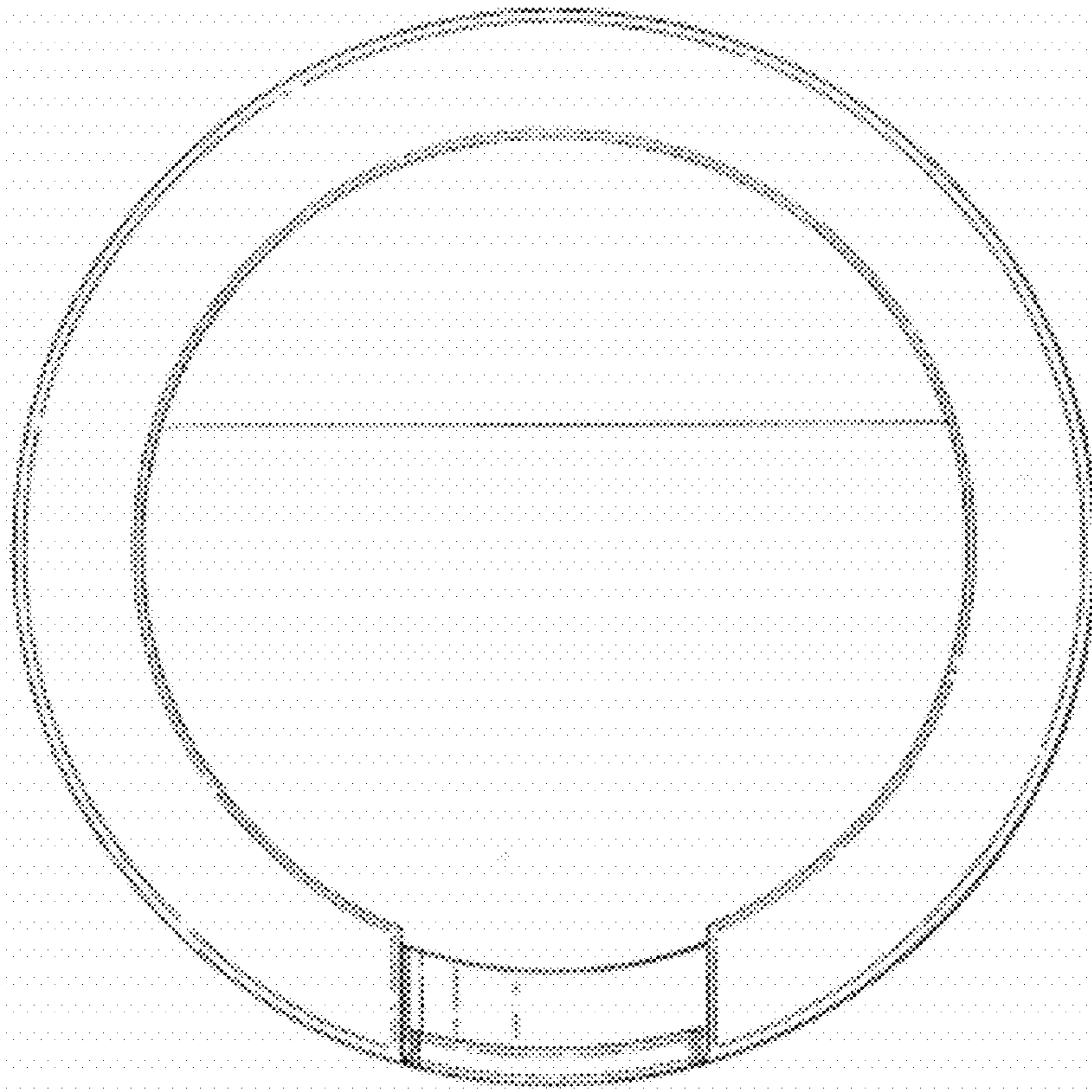


Figure 9

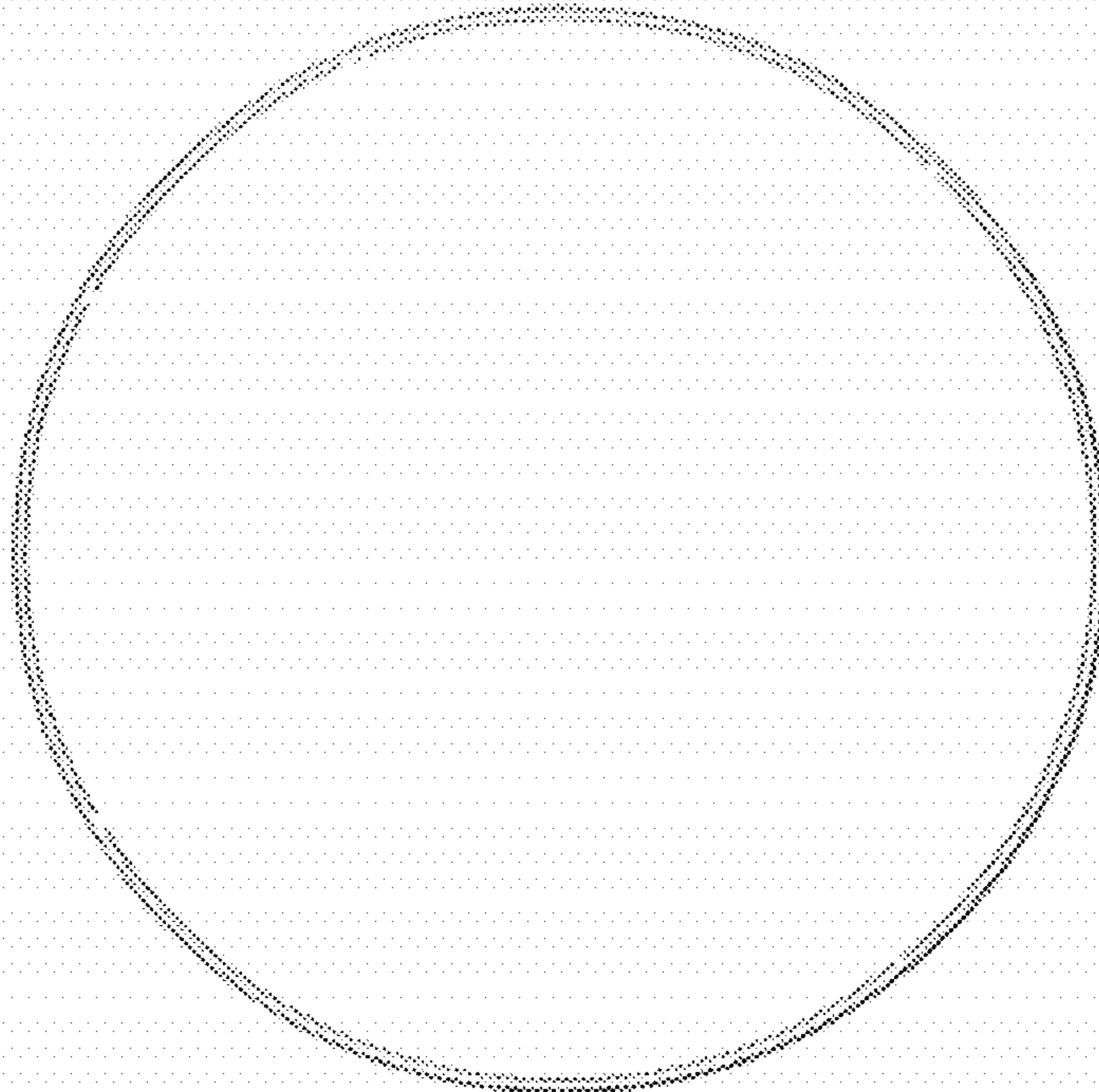


Figure 10

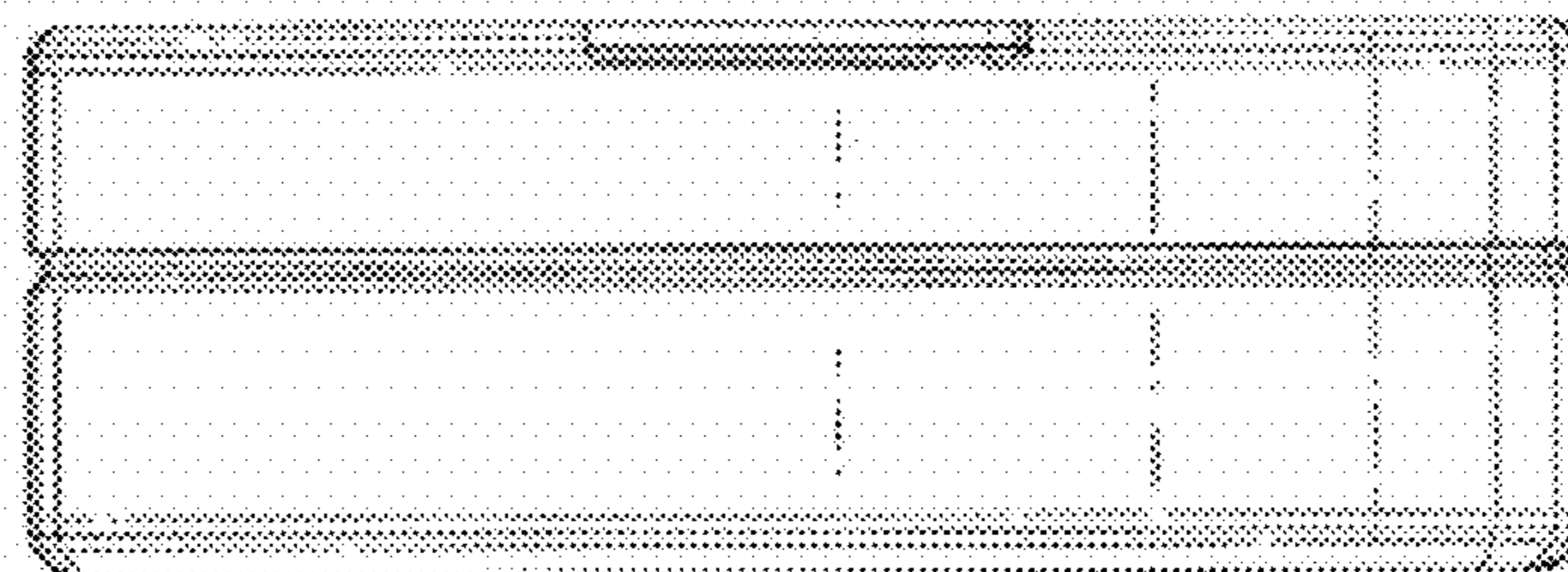


Figure 11



Figure 12