

US00D660692S

(12) **United States Design Patent**  
**Hauptert**

(10) **Patent No.:** **US D660,692 S**

(45) **Date of Patent:** **\*\* May 29, 2012**

(54) **COMBINED CONTAINER AND LID**

(75) Inventor: **Joseph Hauptert**, Mississauga (CA)

(73) Assignee: **National Bait, Inc.**, Mississauga,  
Ontario (CA)

(\*\*) Term: **14 Years**

(21) Appl. No.: **29/366,660**

(22) Filed: **Jul. 28, 2010**

(51) **LOC (9) Cl.** ..... **09-03**

(52) **U.S. Cl.** ..... **D9/424**

(58) **Field of Classification Search** ..... D9/424,  
D9/414, 419, 420, 421, 423, 425, 426, 427,  
D9/429, 430, 431, 433, 435; D3/273, 302;  
D7/354, 550.1, 554.1, 560, 601, 602, 605,  
D7/629; 206/1.5, 119, 470, 505, 508, 521,  
206/822; 220/4.21, 380, 574, 643, 645, 671,  
220/675; 229/406, 407

See application file for complete search history.

(56) **References Cited**

**U.S. PATENT DOCUMENTS**

3,759,416 A \* 9/1973 Constantine ..... 206/505  
D242,601 S \* 12/1976 Sato ..... D9/424

4,661,326 A \* 4/1987 Schainholz ..... 422/310  
D361,715 S \* 8/1995 Hauptert ..... D9/424  
D363,879 S \* 11/1995 Krupa et al. .... D9/423  
D383,606 S \* 9/1997 Bourbonnais ..... D3/302  
D385,784 S \* 11/1997 Krupa et al. .... D9/425  
5,730,311 A \* 3/1998 Curtis ..... 220/371  
6,085,930 A \* 7/2000 Curtis ..... 220/371  
D531,027 S \* 10/2006 Ramirez et al. .... D9/435  
D539,644 S \* 4/2007 Fuerst ..... D9/431

\* cited by examiner

*Primary Examiner* — Derrick Holland

(74) *Attorney, Agent, or Firm* — Steven M. Greenberg, Esq.;  
Carey Rodriguez Greenberg & O’Keefe, LLP

(57) **CLAIM**

The ornamental design for a combined container and lid, as shown and described.

**DESCRIPTION**

FIG. 1 is an exploded top perspective view of a combined container and lid according to my new design.

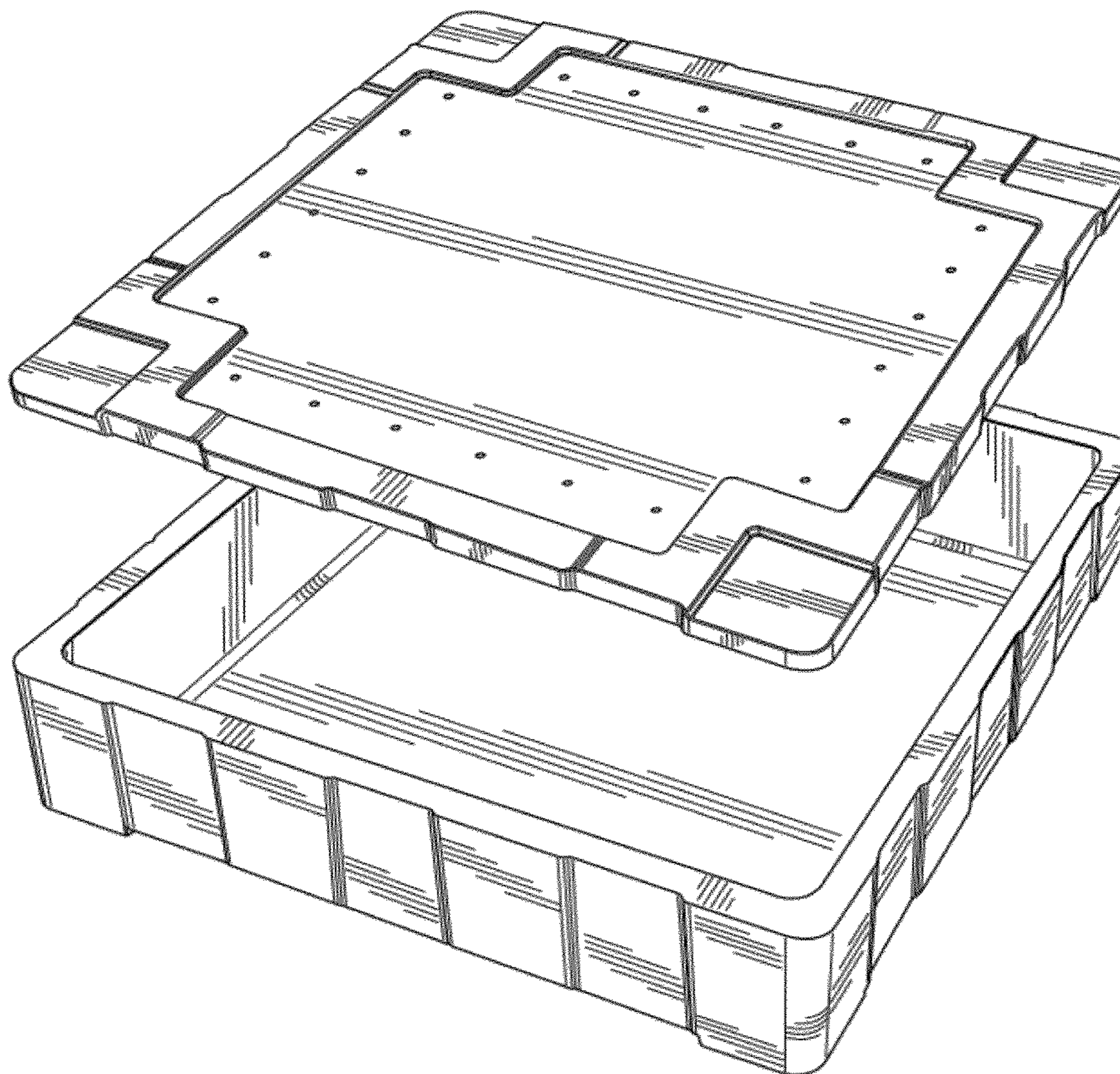
FIG. 2 is a top perspective view of the combined container and lid.

FIG. 3 is a side view of the combined container and lid.

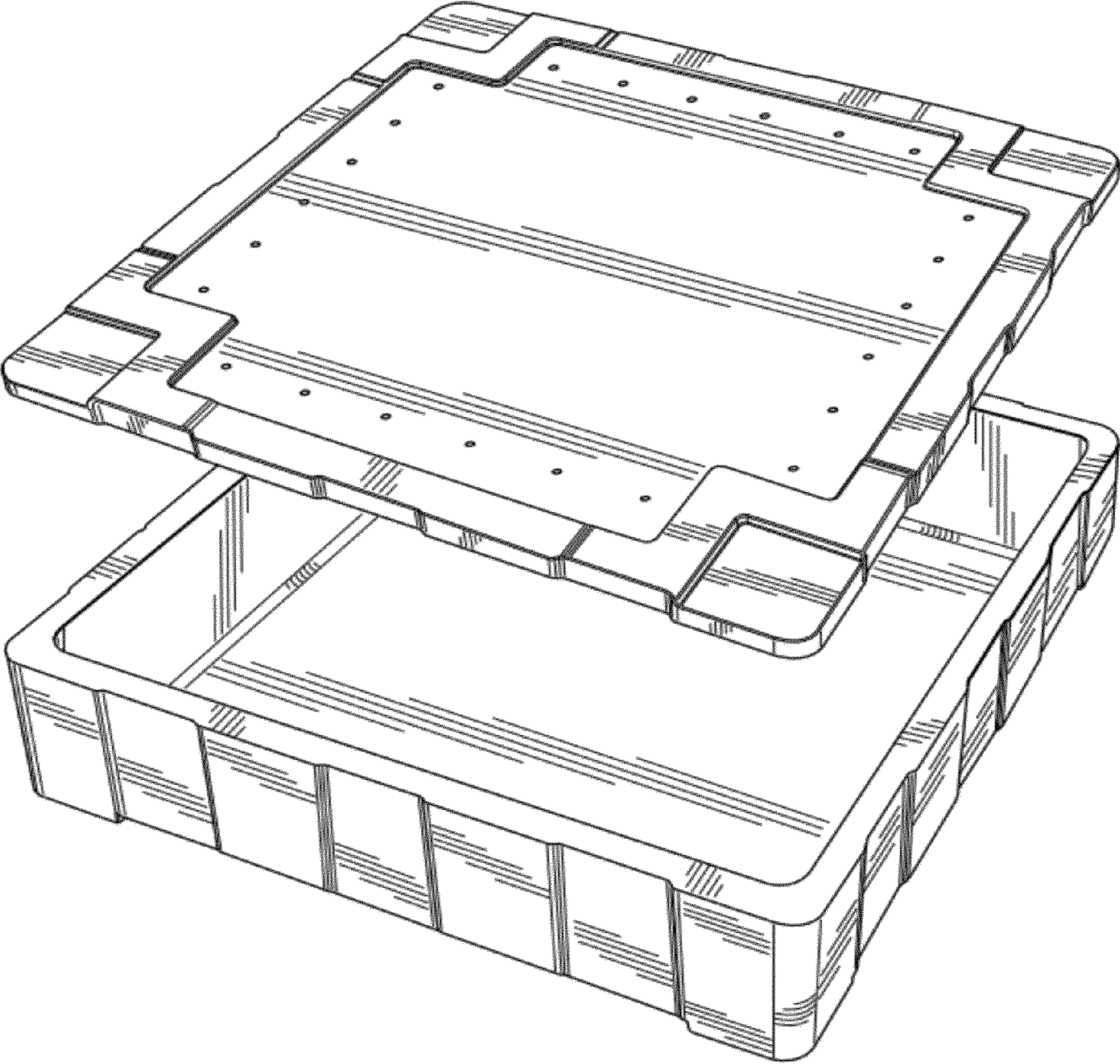
FIG. 4 is a top view of the combined container and lid; and,

FIG. 5 is a bottom view of the combined container and lid.

**1 Claim, 5 Drawing Sheets**

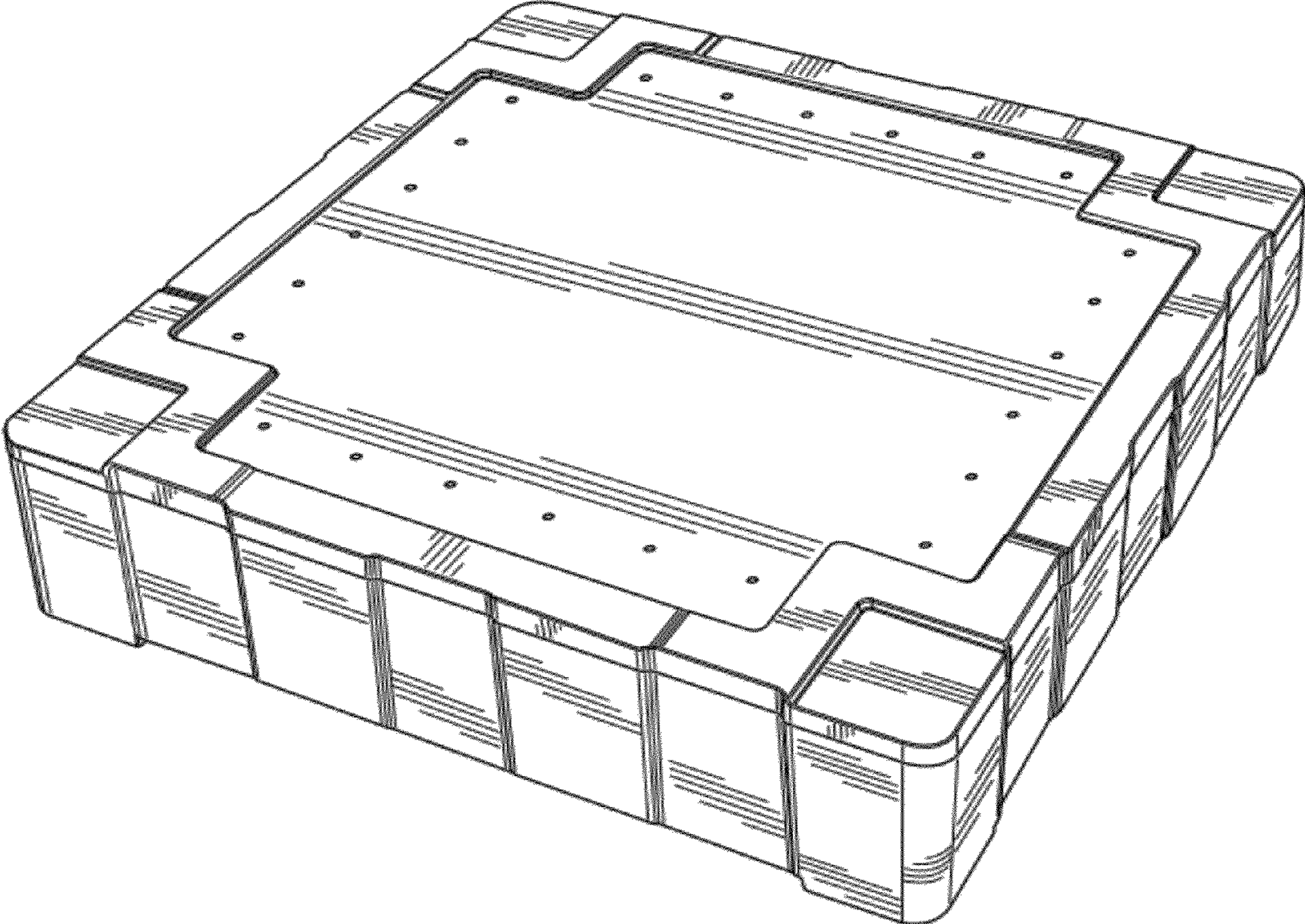




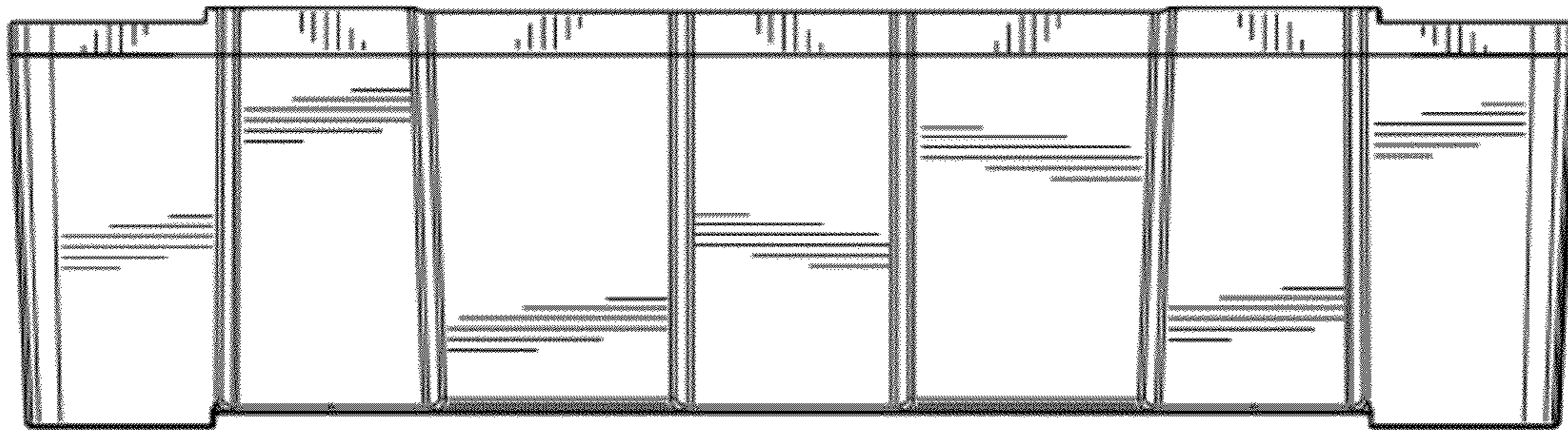


**FIG. 1**



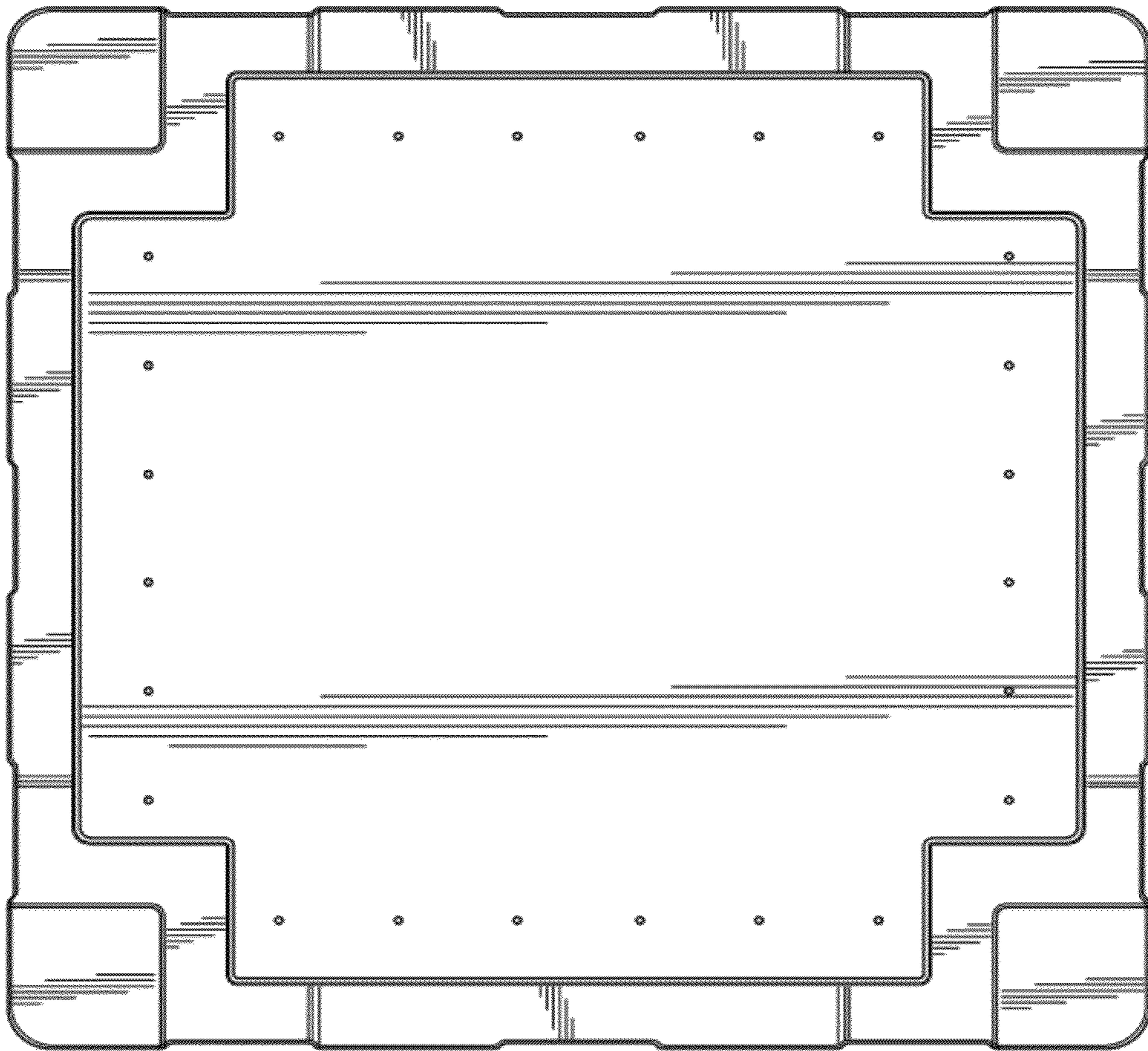


**FIG. 2**

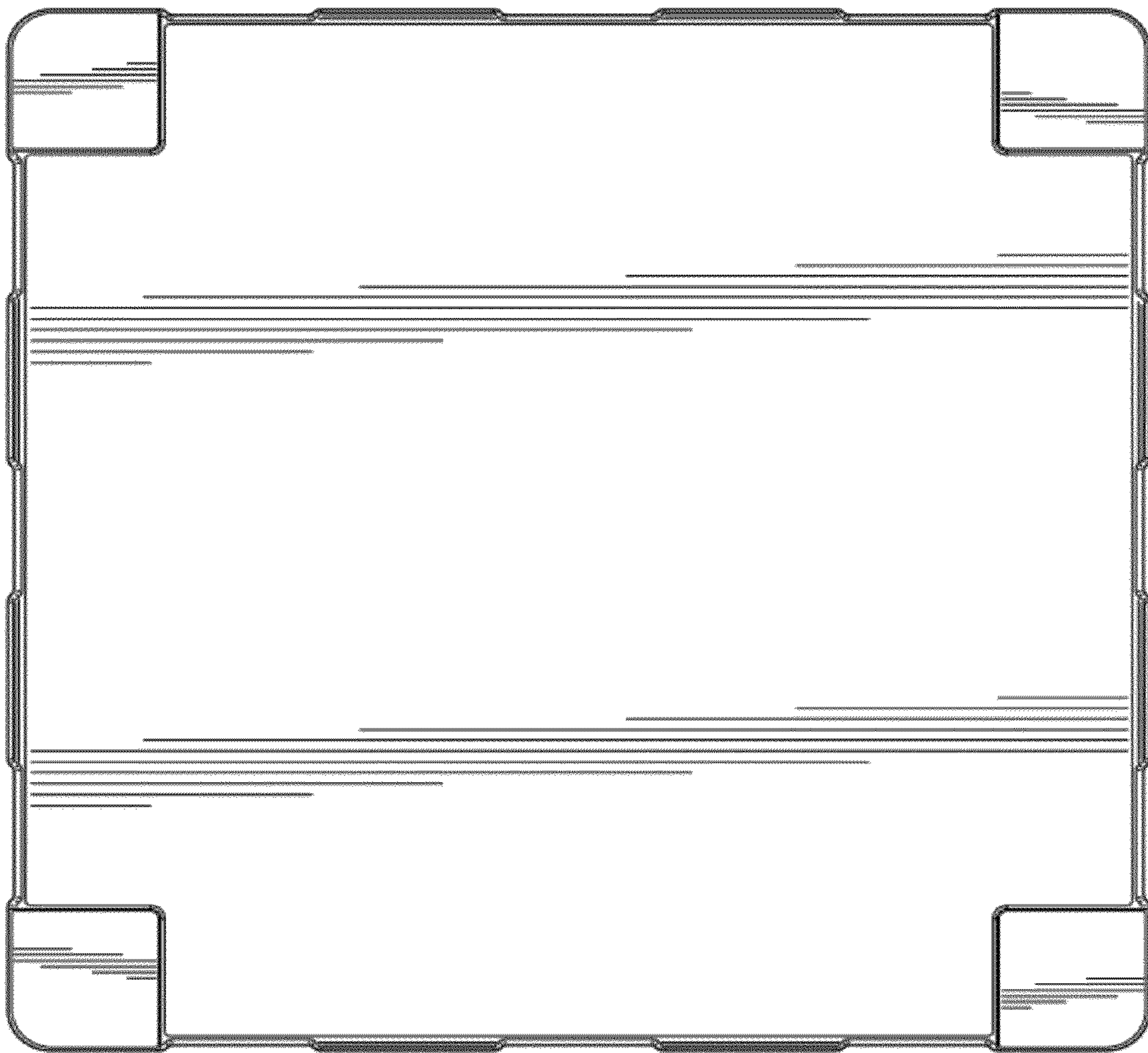


**FIG. 3**





**FIG. 4**



**FIG. 5**

UNITED STATES PATENT AND TRADEMARK OFFICE  
**CERTIFICATE OF CORRECTION**

PATENT NO. : D660,692 S  
APPLICATION NO. : 29/366660  
DATED : May 29, 2012  
INVENTOR(S) : Joseph Hauptert

Page 1 of 1

It is certified that error appears in the above-identified patent and that said Letters Patent is hereby corrected as shown below:

In the Description of FIG. 4, the terms “; and,” should be deleted and replaced by “.”

Signed and Sealed this  
Fourth Day of December, 2012

A handwritten signature in black ink that reads "David J. Kappos". The signature is written in a cursive, slightly slanted style.

David J. Kappos  
*Director of the United States Patent and Trademark Office*