

US00D660688S

(12) **United States Design Patent**
Kosir

(10) **Patent No.:** **US D660,688 S**

(45) **Date of Patent:** **** May 29, 2012**

(54) **MERCHANDISING STRIP HANGER**

(75) Inventor: **Joseph P. Kosir**, Euclid, OH (US)

(73) Assignee: **Fasteners For Retail, Inc.**, Twinsburg, OH (US)

(**) Term: **14 Years**

(21) Appl. No.: **29/404,191**

(22) Filed: **Oct. 17, 2011**

(51) **LOC (9) Cl.** **08-05**

(52) **U.S. Cl.** **D8/373**

(58) **Field of Classification Search** D8/373,
D8/367; 248/301, 304, 317, 300, 496-498
See application file for complete search history.

(56) **References Cited**

U.S. PATENT DOCUMENTS

D240,015 S *	5/1976	Buckley	D8/371
D571,640 S *	6/2008	Misch	D8/354
D624,805 S *	10/2010	Clarke	D8/354

OTHER PUBLICATIONS

FFR-DSI Yellow Pages 2010 Product Catalog, cover page and pp. 266 and 267.

* cited by examiner

Primary Examiner — Holly Baynham

(74) *Attorney, Agent, or Firm* — Fay Sharpe LLP

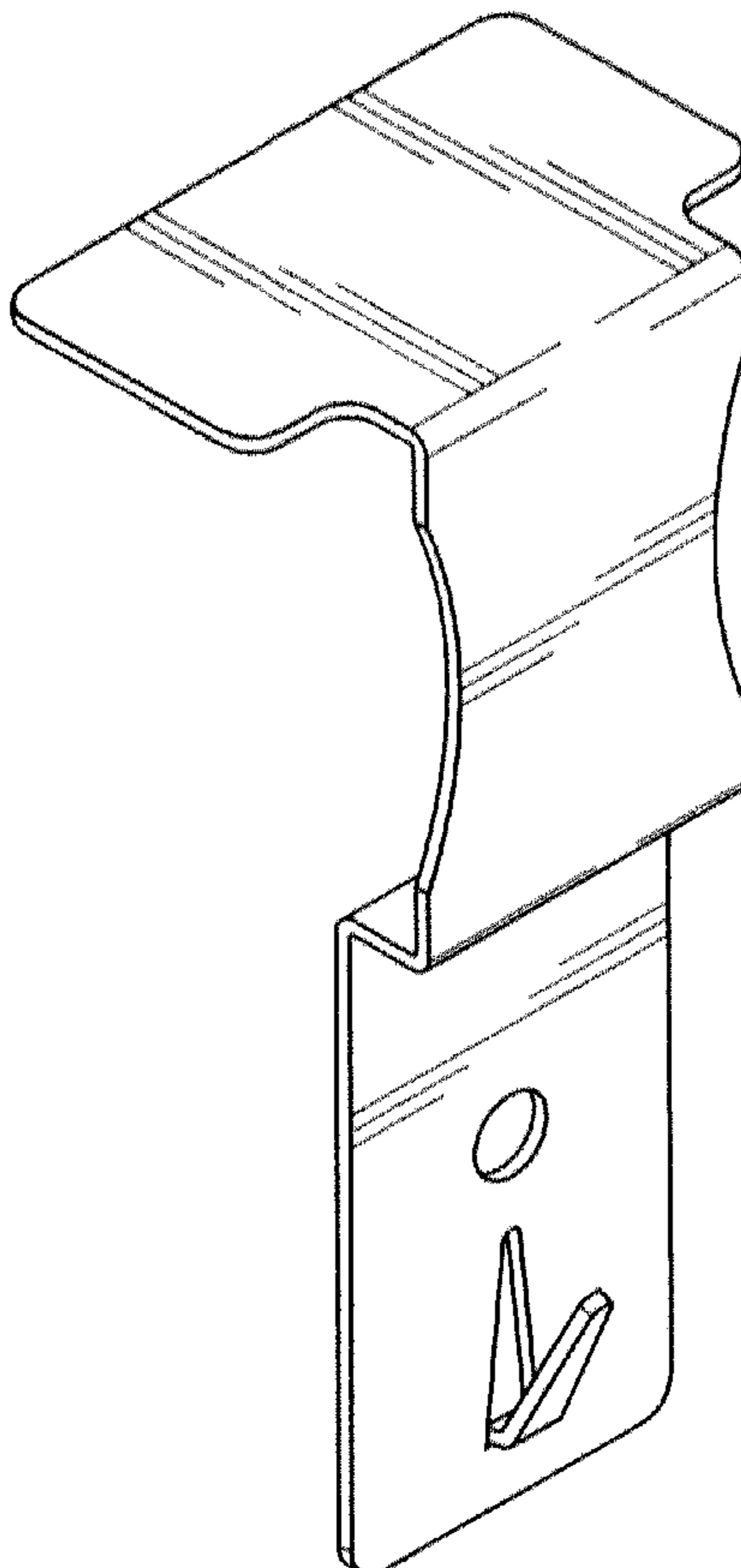
(57) **CLAIM**

The ornamental design for a merchandising strip hanger, as is shown and described.

DESCRIPTION

FIG. 1 is a perspective view from the front side upper left of a merchandising strip hanger showing my new design; FIG. 2 is a perspective view from the front side lower left showing my new design; FIG. 3 is a left side elevational view thereof, with the right side elevational view being a mirror image thereof; FIG. 4 is a front elevational view thereof; FIG. 5 is a rear elevational view thereof; FIG. 6 is a top plan view thereof; and, FIG. 7 is a bottom plan view thereof.

1 Claim, 2 Drawing Sheets



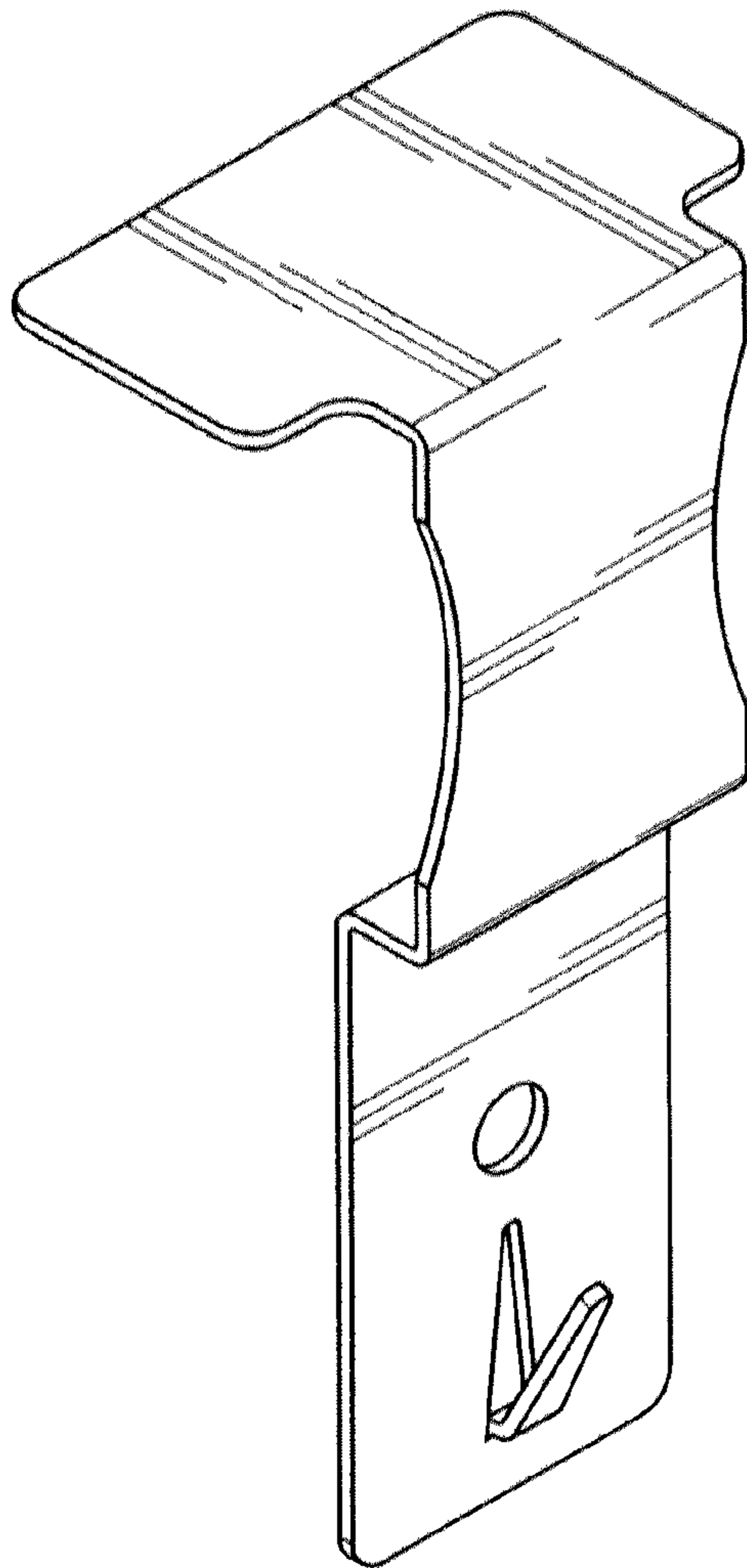


FIG. 1

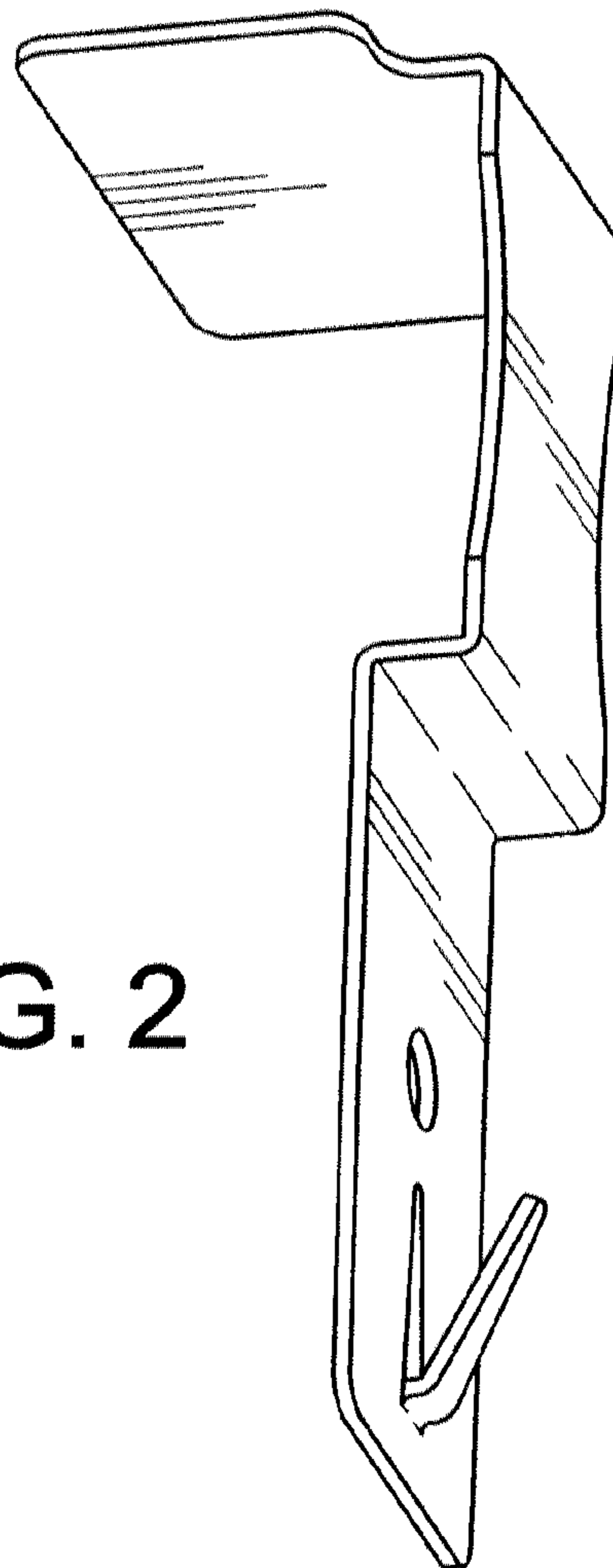


FIG. 2

FIG. 6

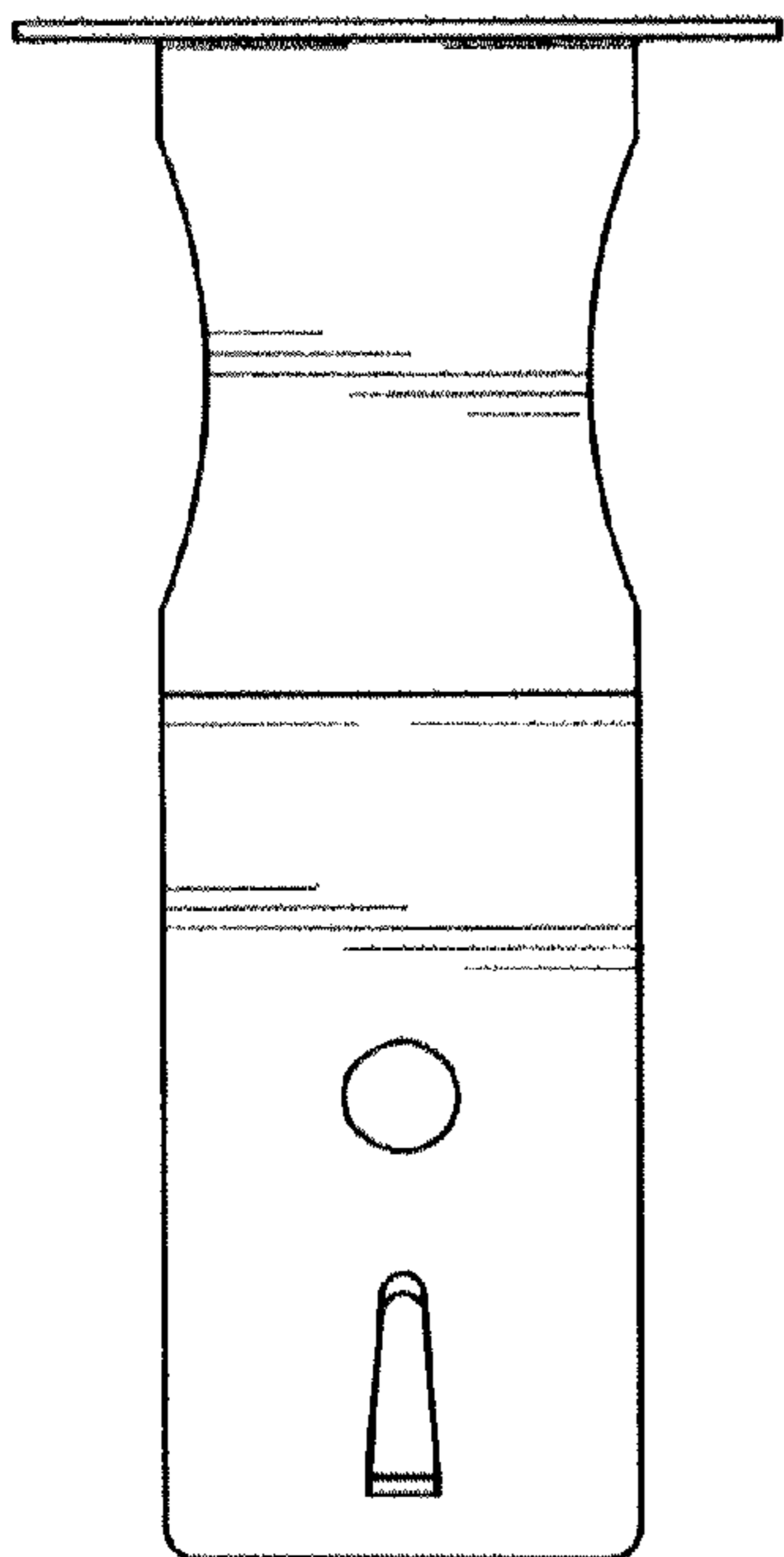
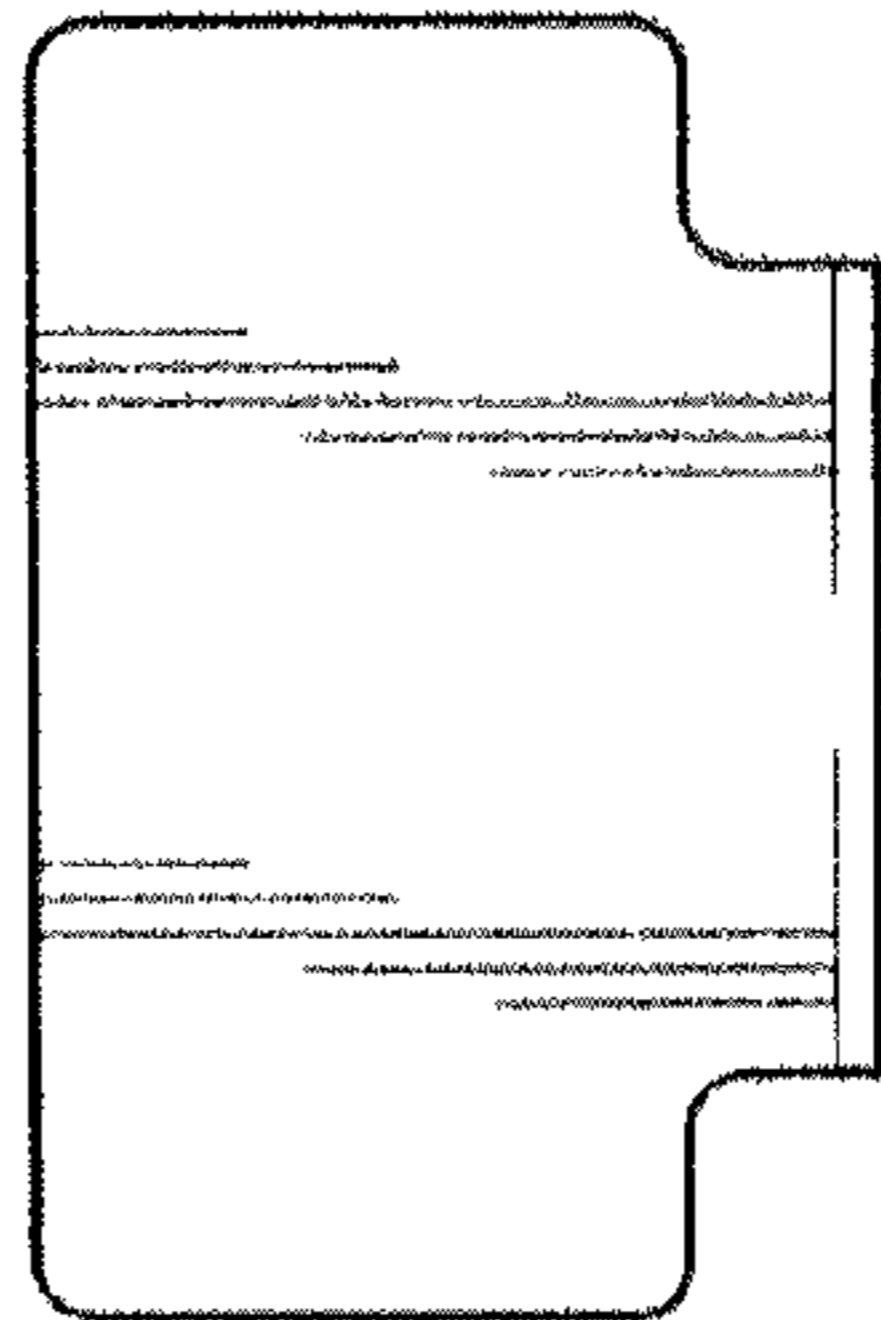


FIG. 5

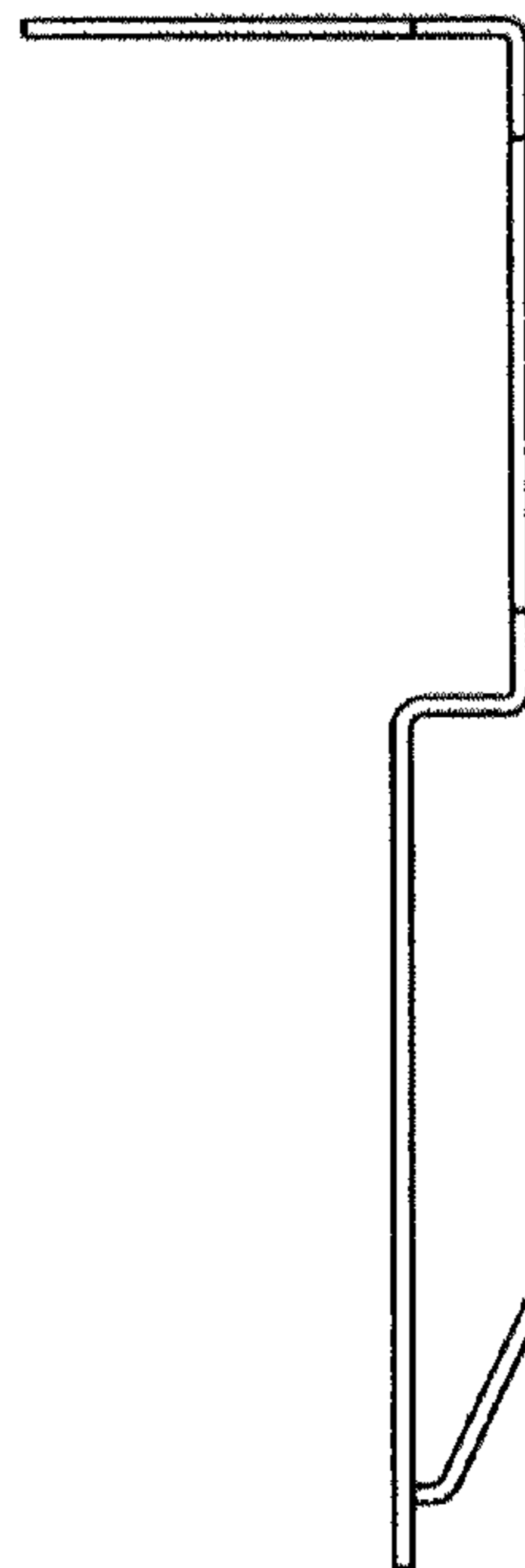


FIG. 3

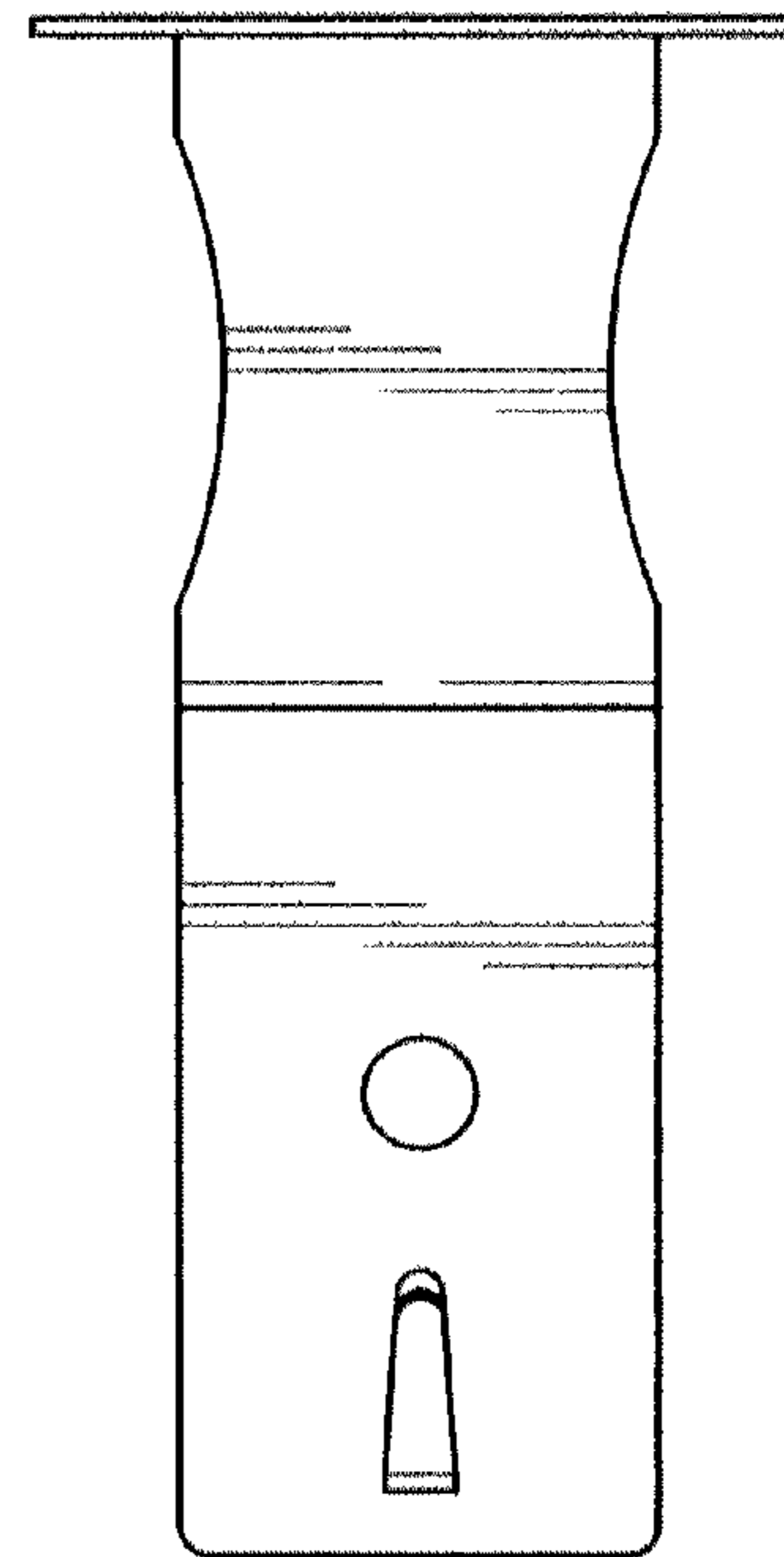


FIG. 4

FIG. 7

