



US00D660687S

(12) **United States Design Patent**
Fritz et al.

(10) **Patent No.:** **US D660,687 S**

(45) **Date of Patent:** **** May 29, 2012**

(54) **ACCESSORY POST**

(75) Inventors: **Seth Fritz**, Carmel, IN (US); **Celine Kwok**, Carmel, IN (US)

(73) Assignee: **Masco Corporation of Indiana**, Indianapolis, IN (US)

(**) Term: **14 Years**

(21) Appl. No.: **29/400,522**

(22) Filed: **Aug. 30, 2011**

(51) **LOC (9) Cl.** **08-05**

(52) **U.S. Cl.** **D8/363**

(58) **Field of Classification Search** D8/363,
D8/367, 373; 248/301, 304
See application file for complete search history.

(56) **References Cited**

U.S. PATENT DOCUMENTS

D410,193 S *	5/1999	Bredemeier	D8/363
D429,998 S *	8/2000	Snell	D8/363
D572,574 S *	7/2008	Lee	D8/363

* cited by examiner

Primary Examiner — Holly Baynham

(74) *Attorney, Agent, or Firm* — Edgar A. Zarins; Nirav D. Parikh; Lora J. Graentzdoerffer

(57) **CLAIM**

The ornamental design for an accessory post, as shown and described.

DESCRIPTION

FIG. 1 is a perspective view of an accessory post showing our new design;

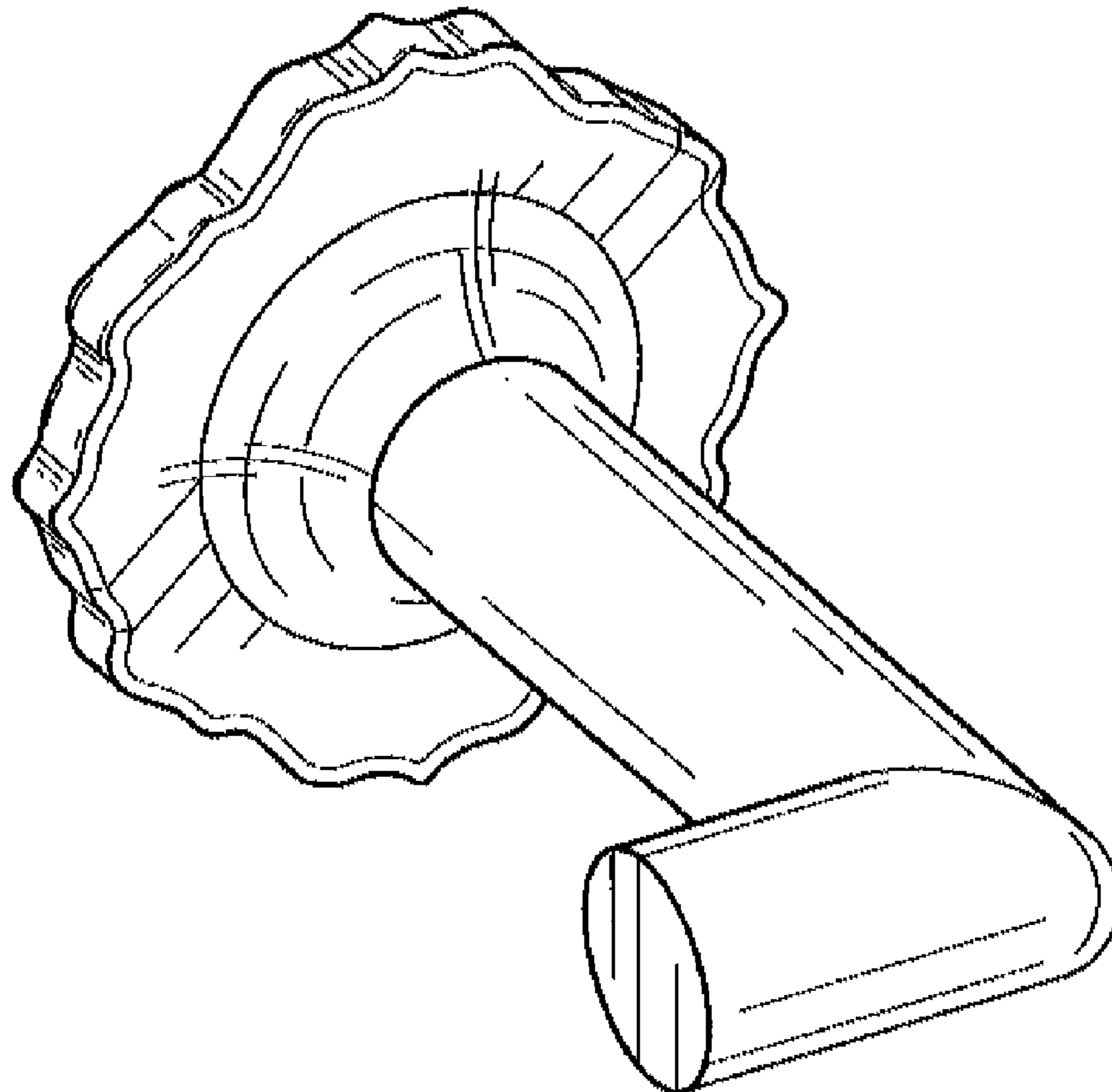
FIG. 2 is a top plan view thereof, the opposite side being a mirror image of the side shown;

FIG. 3 is a front elevational view thereof;

FIG. 4 is a right side view thereof; and,

FIG. 5 is a left side view thereof.

1 Claim, 1 Drawing Sheet



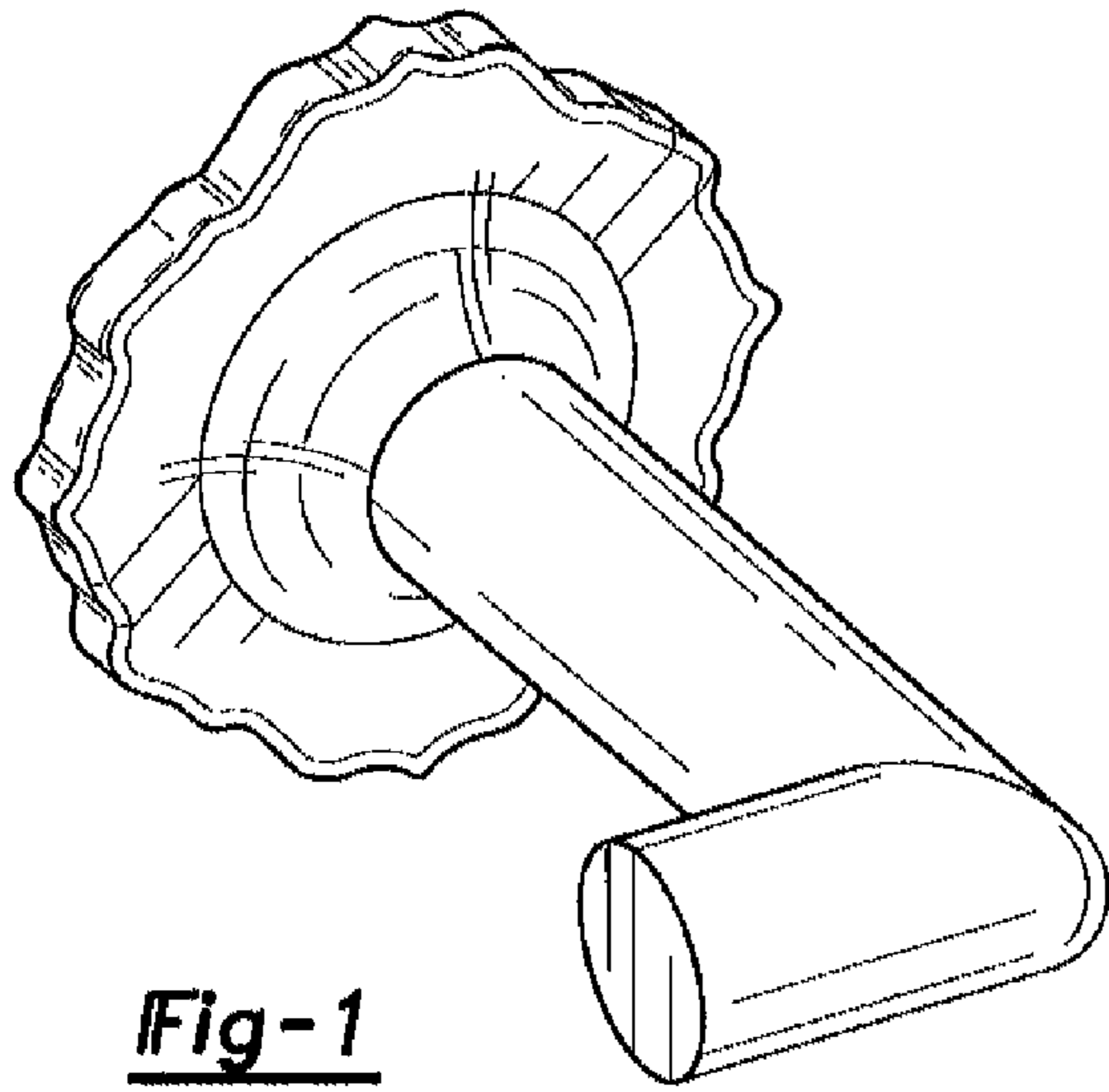


Fig-1

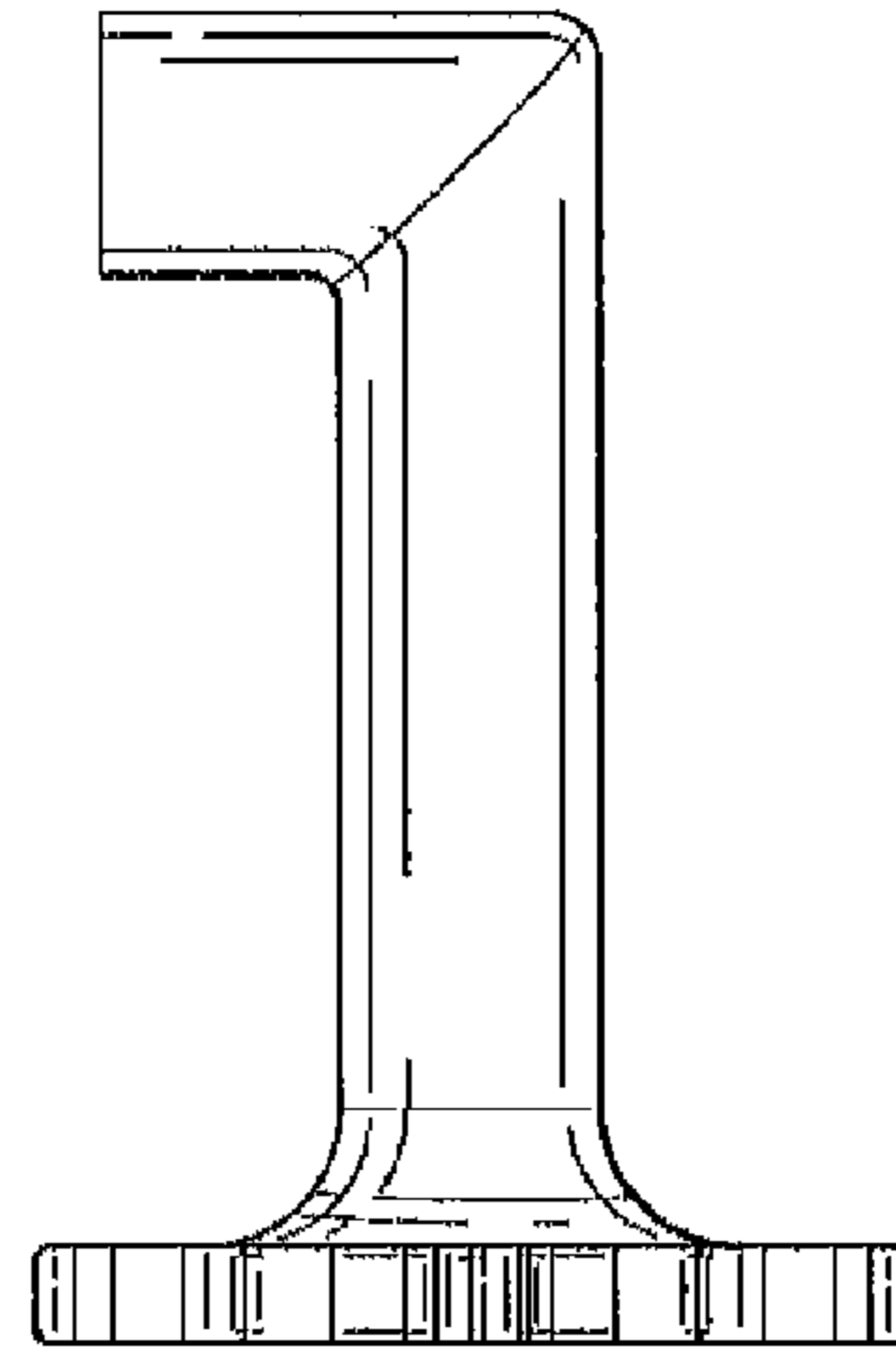


Fig-2

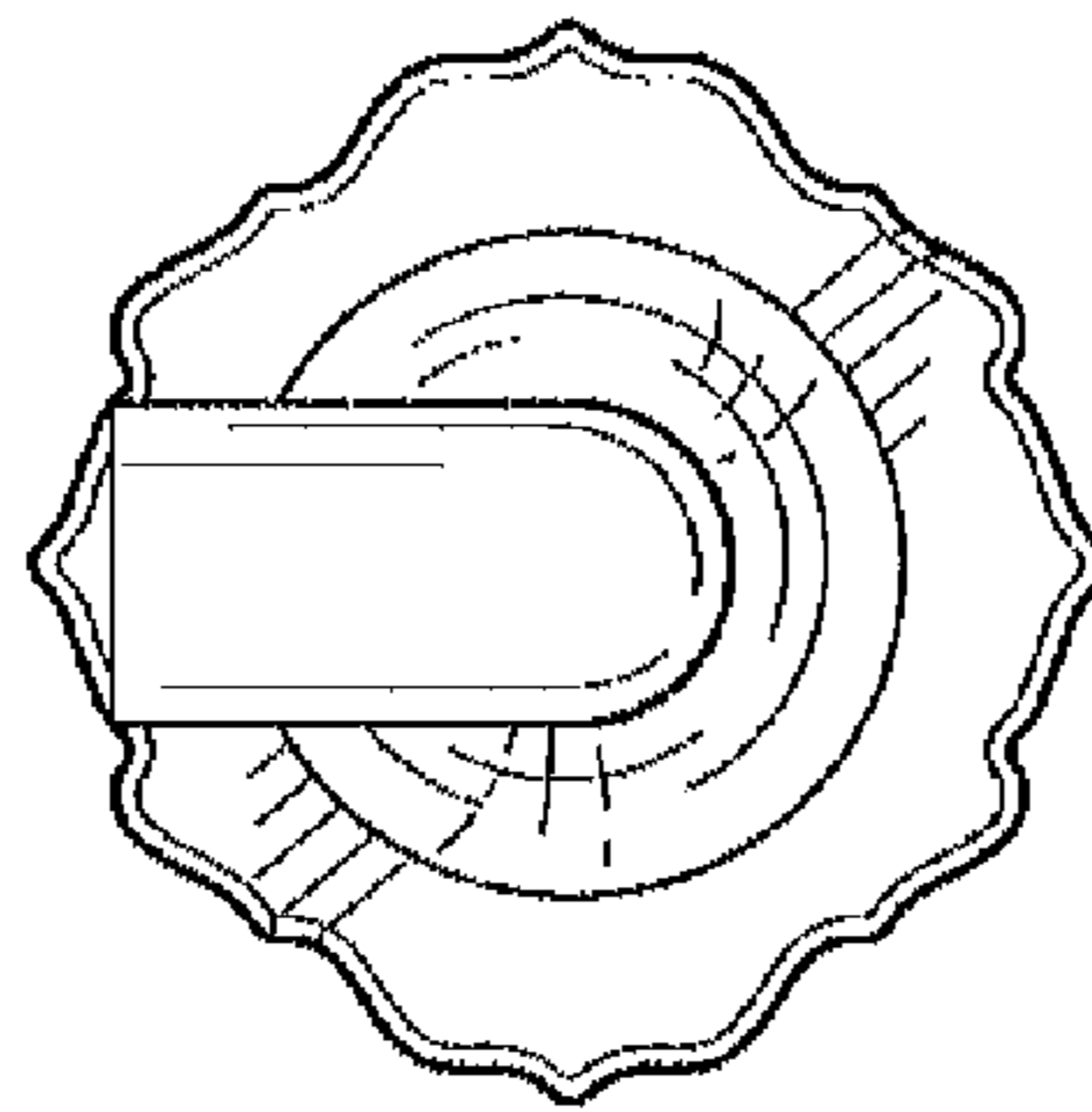


Fig-3

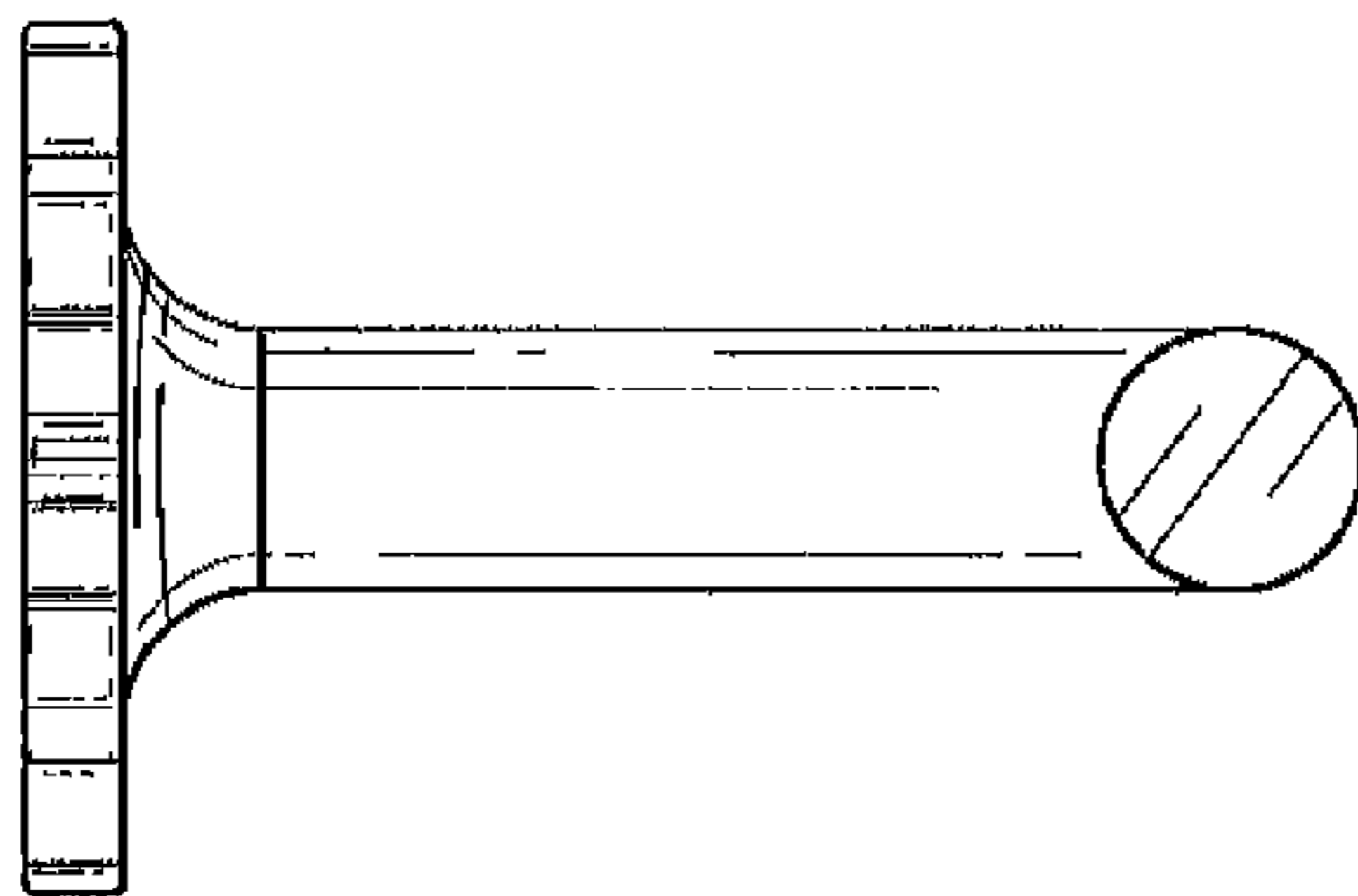


Fig-4

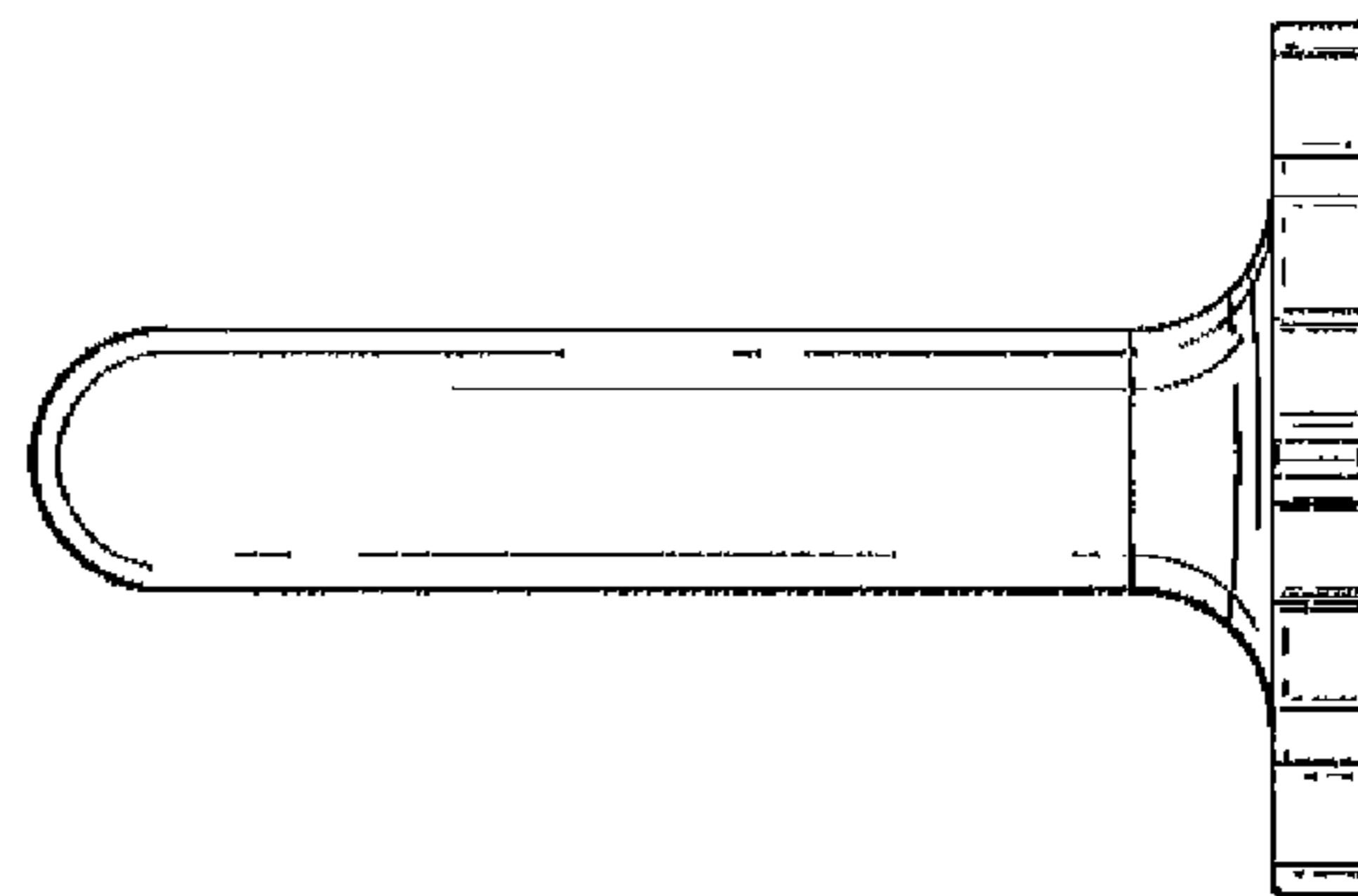


Fig-5