



US00D660686S

(12) **United States Design Patent**  
**Lafleur**

(10) **Patent No.:** **US D660,686 S**

(45) **Date of Patent:** **\*\* May 29, 2012**

(54) **FILM REEL**

(75) Inventor: **André Lafleur**, Boucherville (CA)

(73) Assignee: **Duchesne et Fils Ltée**, Yamachiche (CA)

(\*\*) Term: **14 Years**

(21) Appl. No.: **29/387,146**

(22) Filed: **Mar. 9, 2011**

(51) **LOC (9) Cl.** ..... **08-05**

(52) **U.S. Cl.** ..... **D8/358**

(58) **Field of Classification Search** ..... D8/349,  
D8/354, 356, 357, 358, 359; 191/12.2 R;  
206/195, 389; 250/216, 248; 355/64, 65,  
355/68

See application file for complete search history.

(56) **References Cited**

**U.S. PATENT DOCUMENTS**

|              |        |                     |       |        |
|--------------|--------|---------------------|-------|--------|
| D460,910 S * | 7/2002 | Stafford            | ..... | D8/358 |
| D505,313 S * | 5/2005 | Hart                | ..... | D8/359 |
| D518,361 S * | 4/2006 | Jassenoff           | ..... | D8/358 |
| D535,867 S * | 1/2007 | Lichtscheidl et al. | ..... | D8/358 |

\* cited by examiner

*Primary Examiner* — Susan Bennett Hattan

*Assistant Examiner* — Barbara B Lohr

(74) *Attorney, Agent, or Firm* — Goudreau Gage Dubuc;  
Gwendoline Bruneau

(57) **CLAIM**

The ornamental design for a film reel, as shown and described.

**DESCRIPTION**

FIG. 1 is a front view showing the left and right parts of the film reel, the broken lines representing environment and forming no part of the film reel;

FIG. 2 is a front view of the left part of the film reel;

FIG. 3 is a first side view of the part of FIG. 2;

FIG. 4 is a second side view of the part of FIG. 2;

FIG. 5 is a back view of the part of FIG. 2;

FIG. 6 is a front view of the part of FIG. 2;

FIG. 7 is a top view of the part of FIG. 2;

FIG. 8 is a bottom view of the part of FIG. 2;

FIG. 9 is a front view of the right part of the film reel;

FIG. 10 is a first side view of the part of FIG. 9;

FIG. 11 is a second side view of the part of FIG. 9;

FIG. 12 is a back view of the part of FIG. 9;

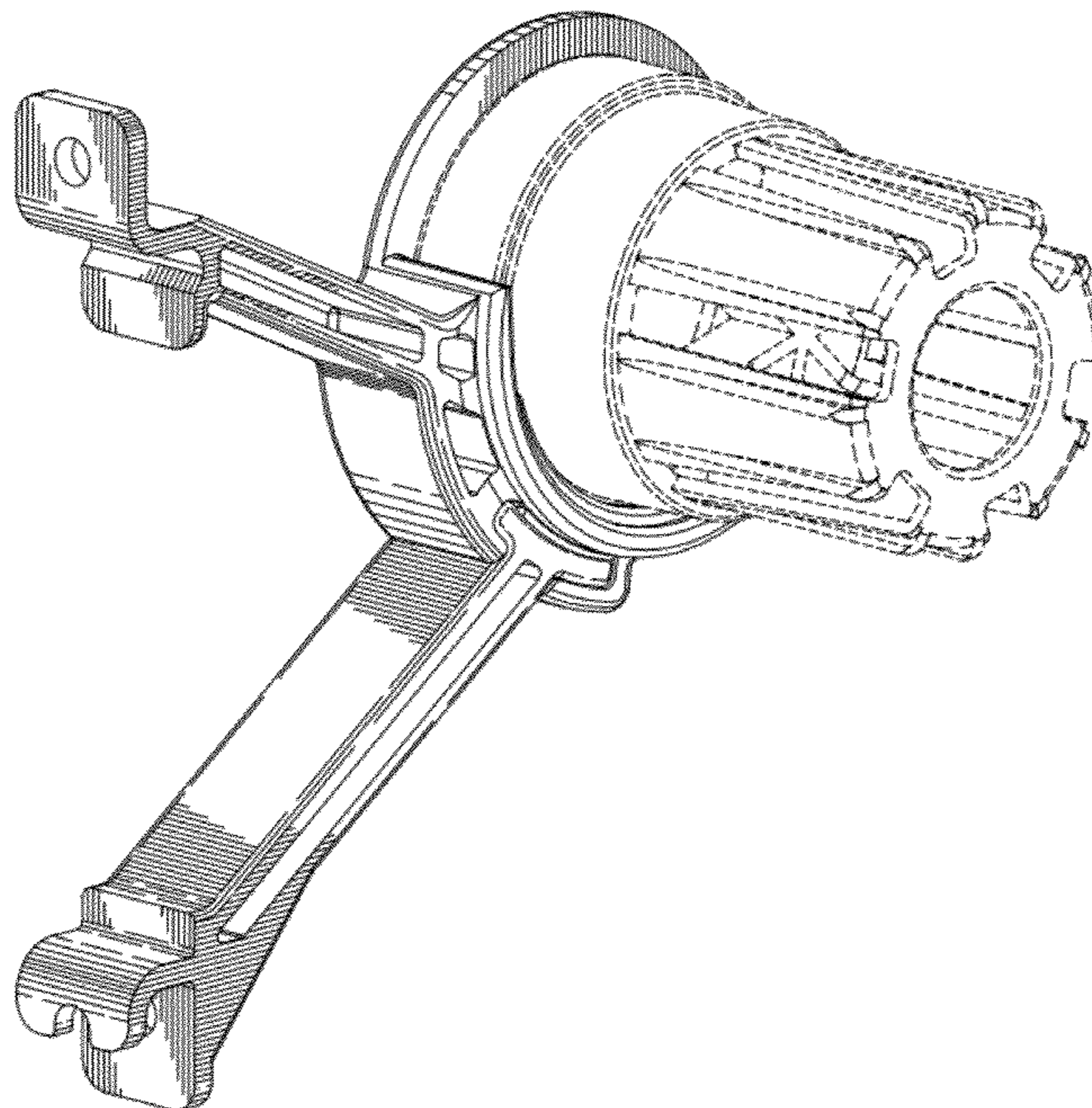
FIG. 13 is a front view of the part of FIG. 9;

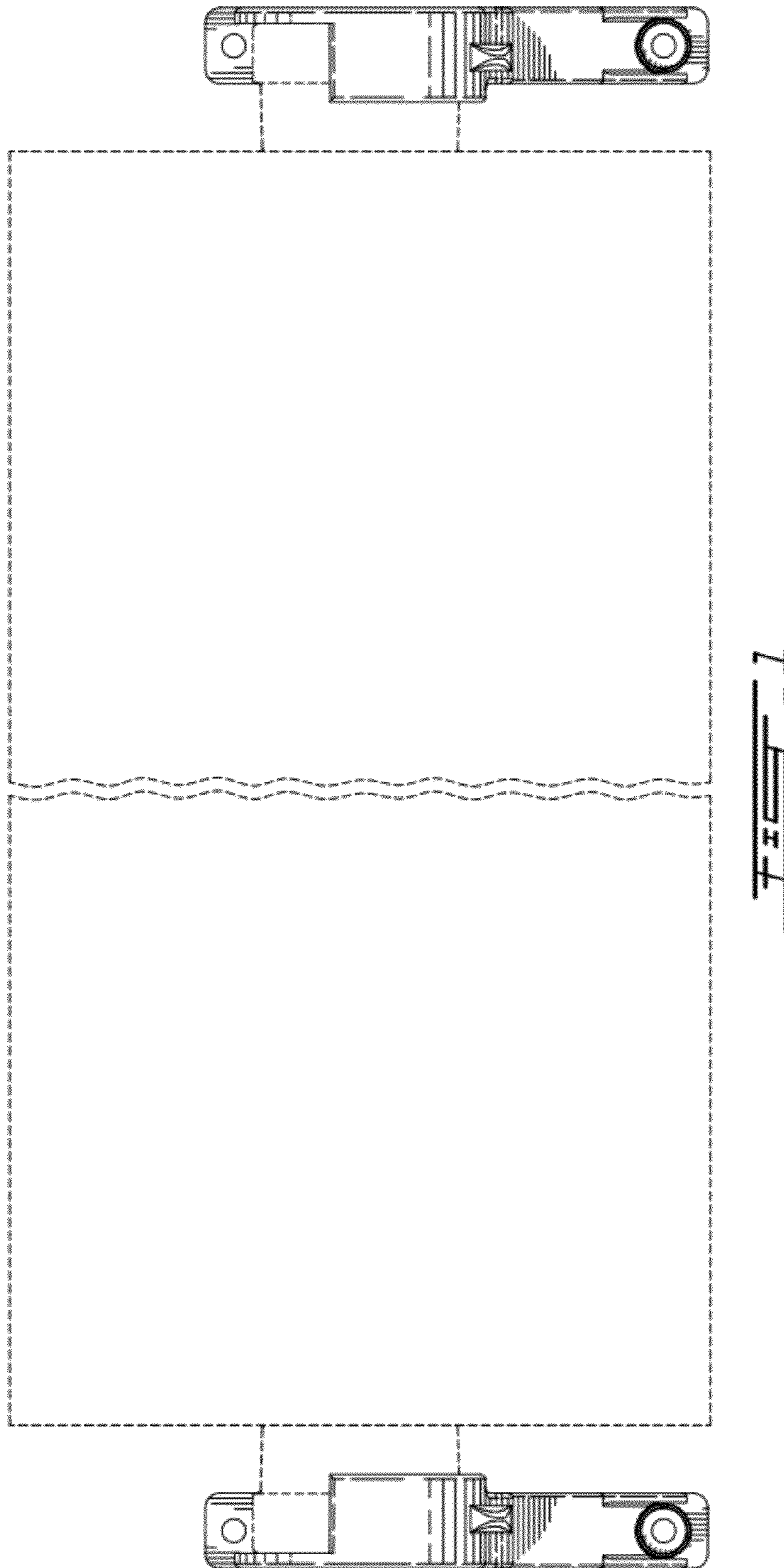
FIG. 14 is a top view of the part of FIG. 9; and,

FIG. 15 is a bottom view of the part of FIG. 9.

The broken lines in the drawing depict environmental subject matter and form no part of the claimed design.

**1 Claim, 13 Drawing Sheets**





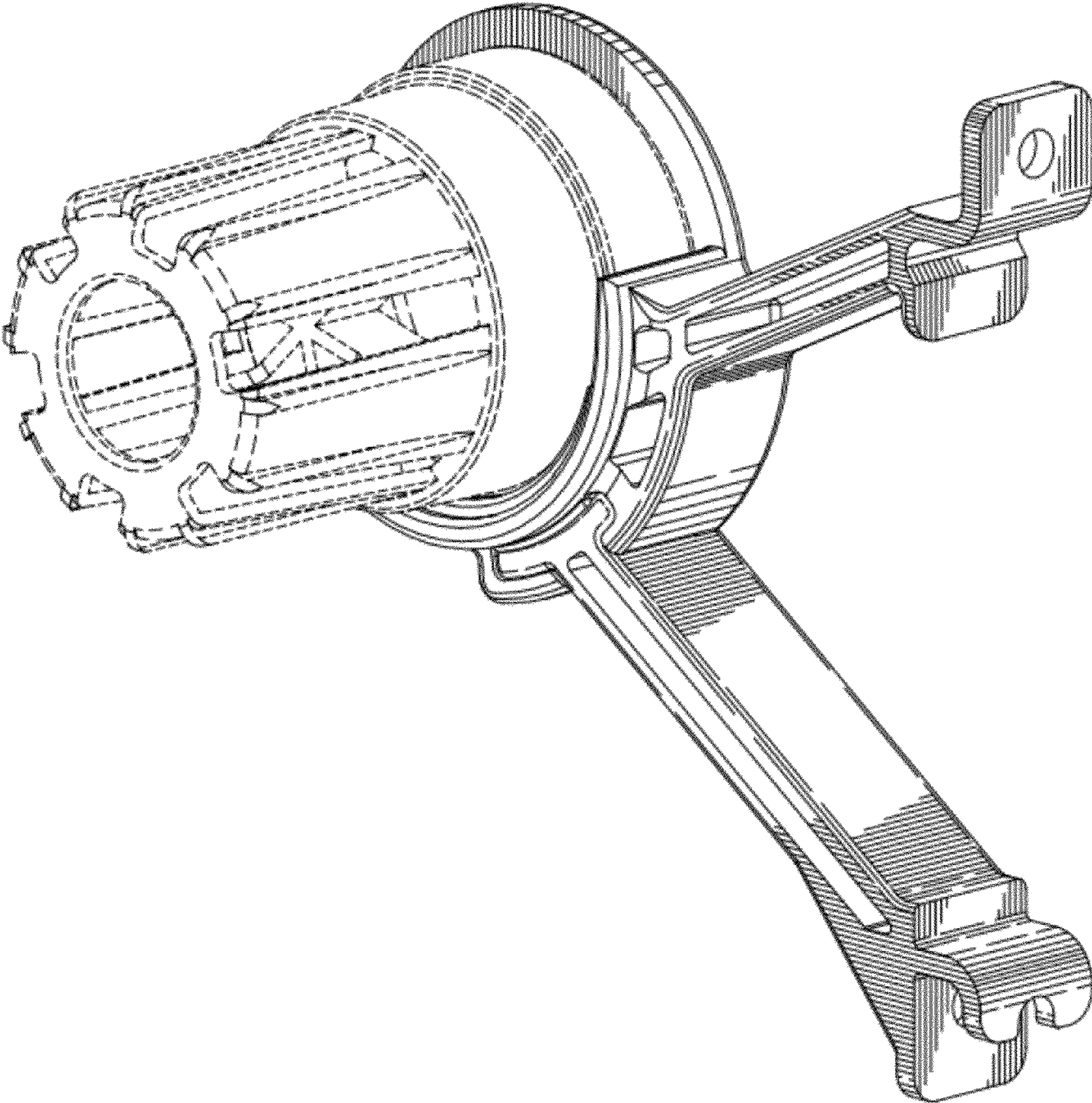


FIG. 2

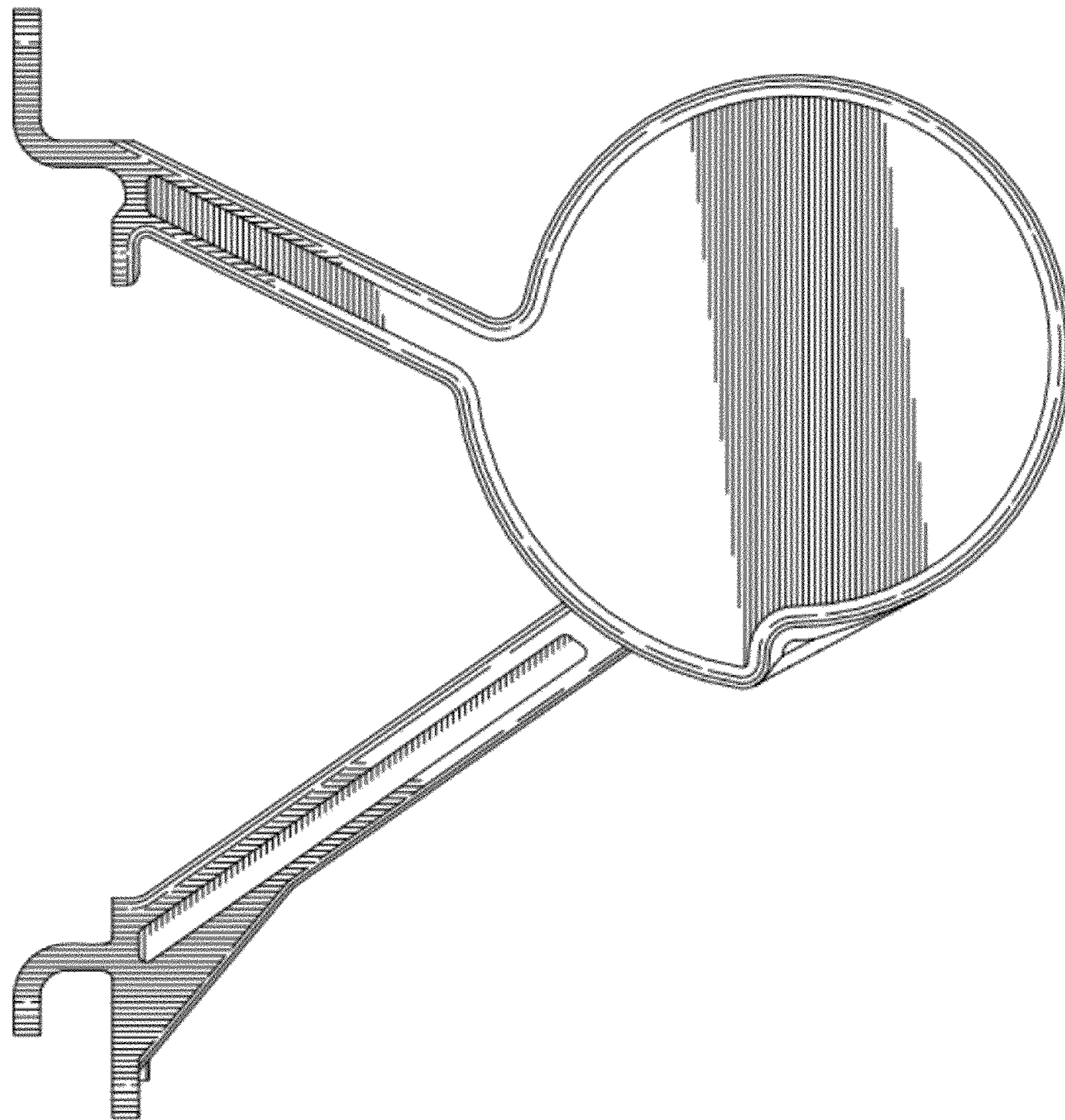


FIG. 3

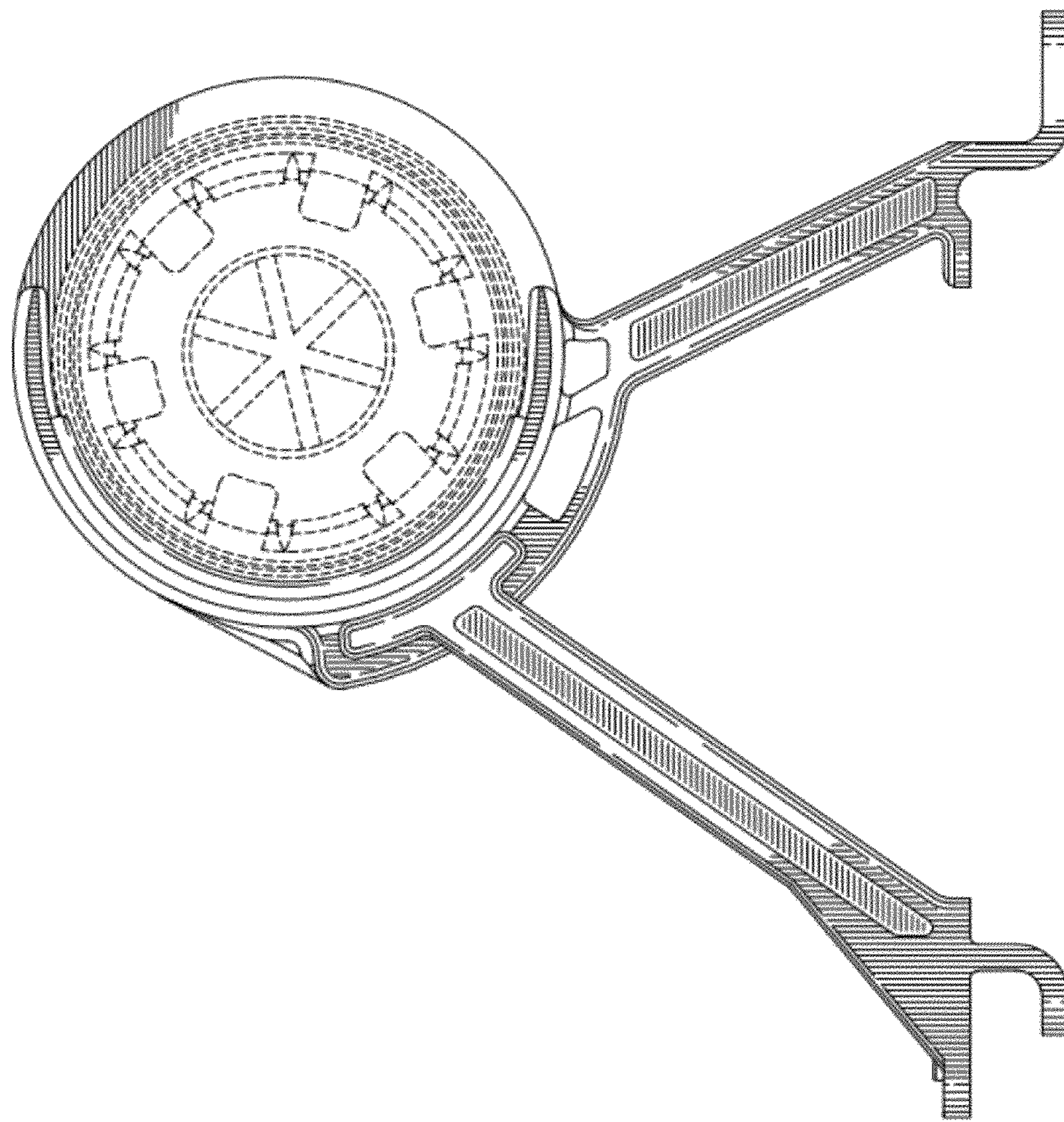


FIG. 4

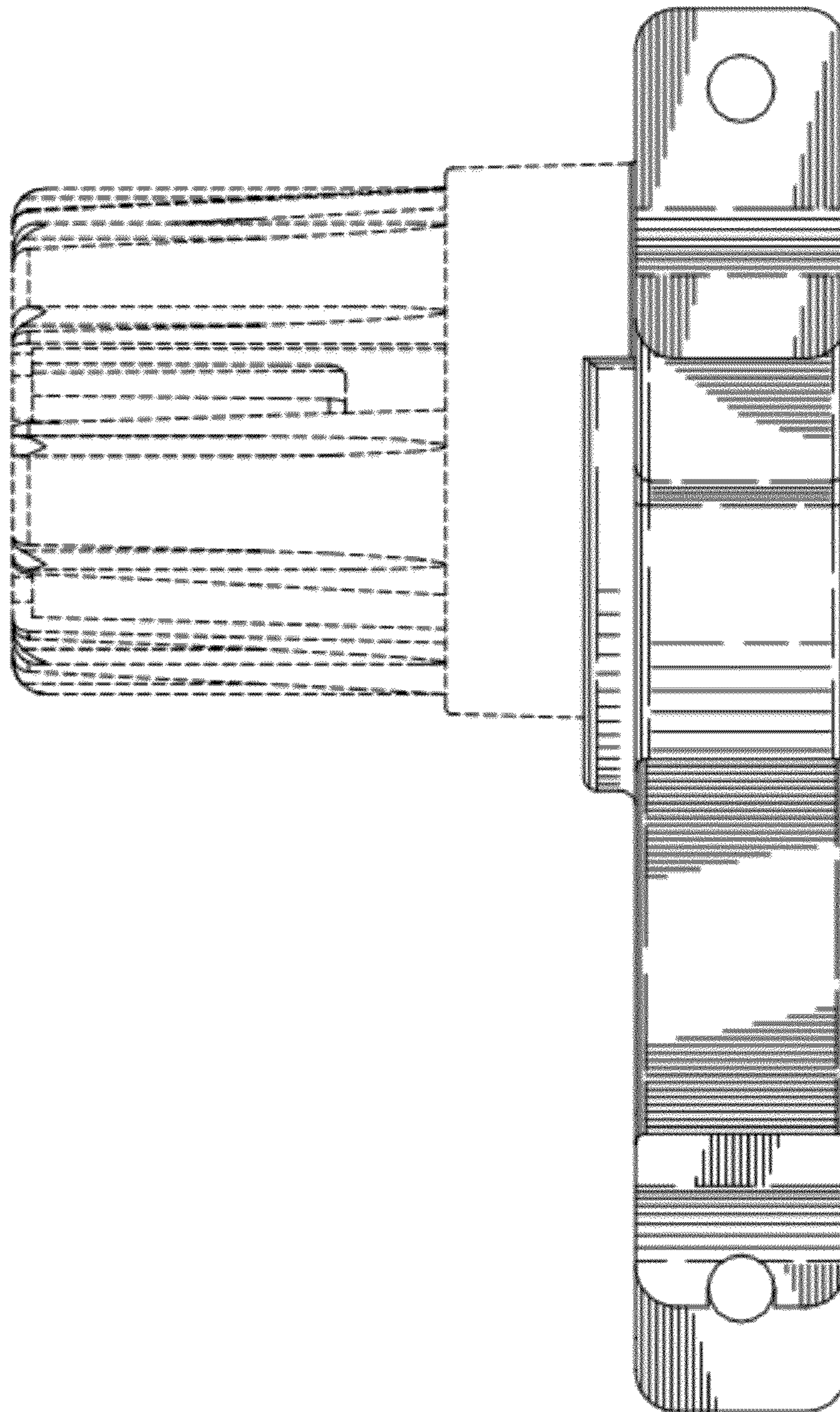


FIG. 5

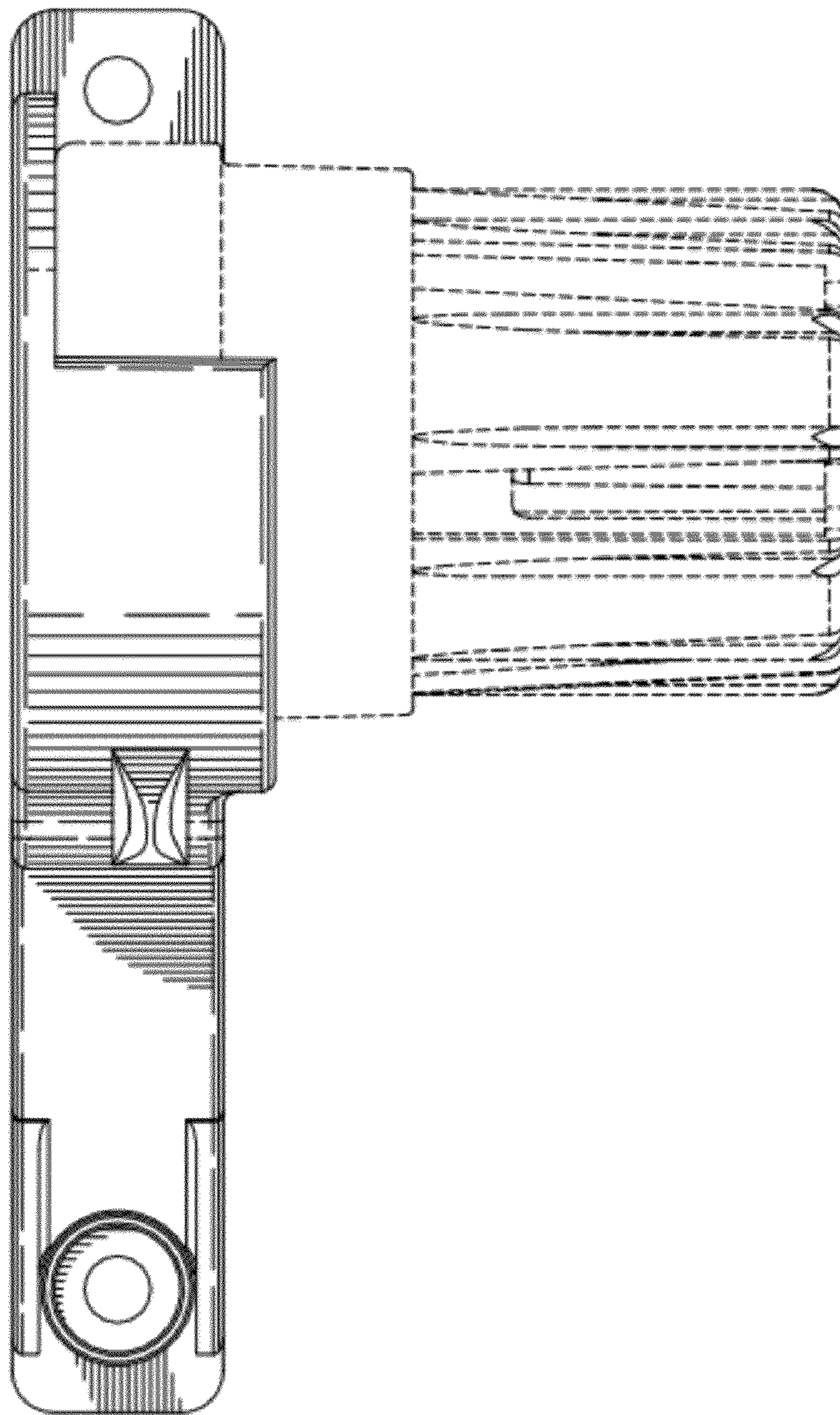


FIG. 6

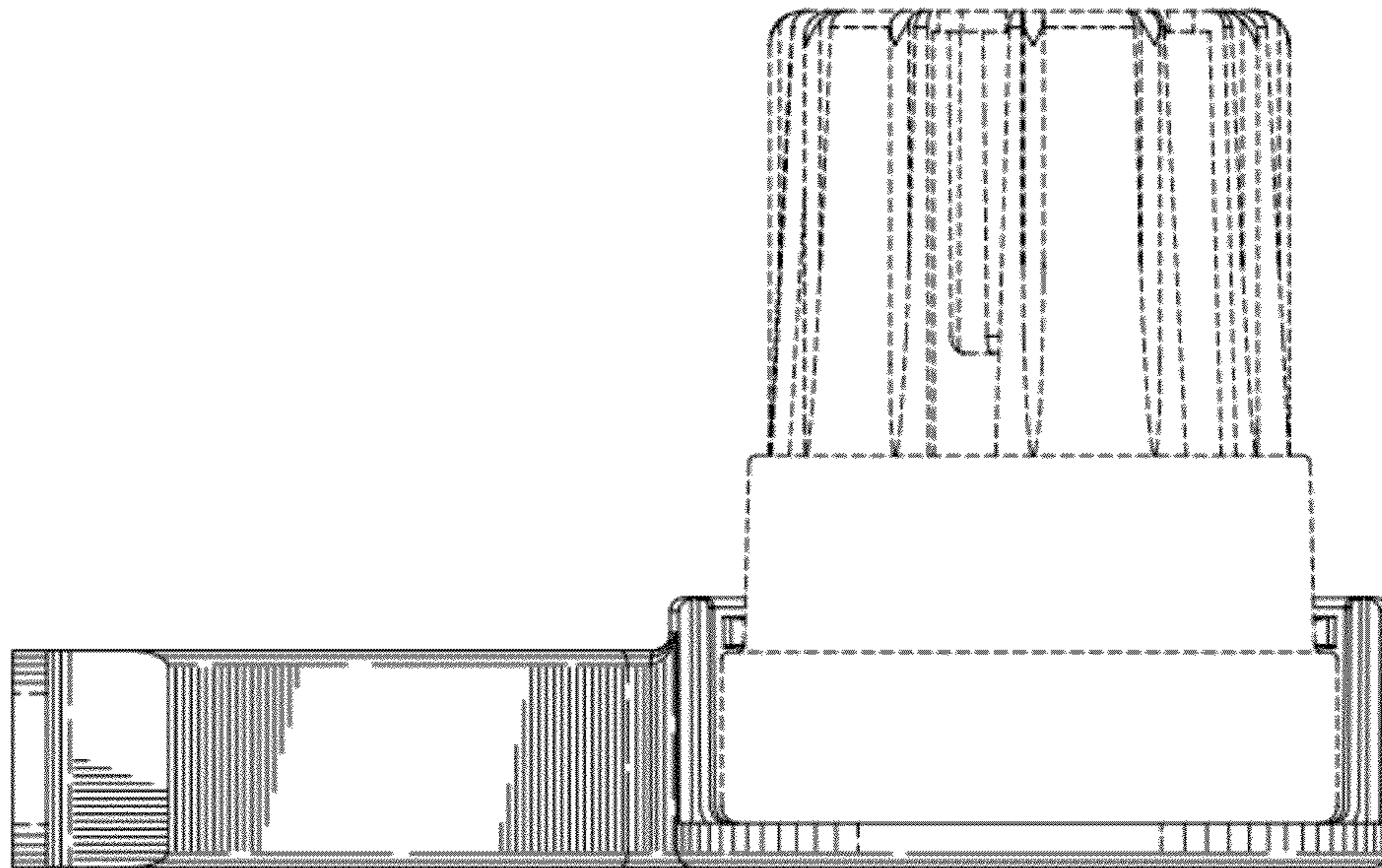


FIG. 7

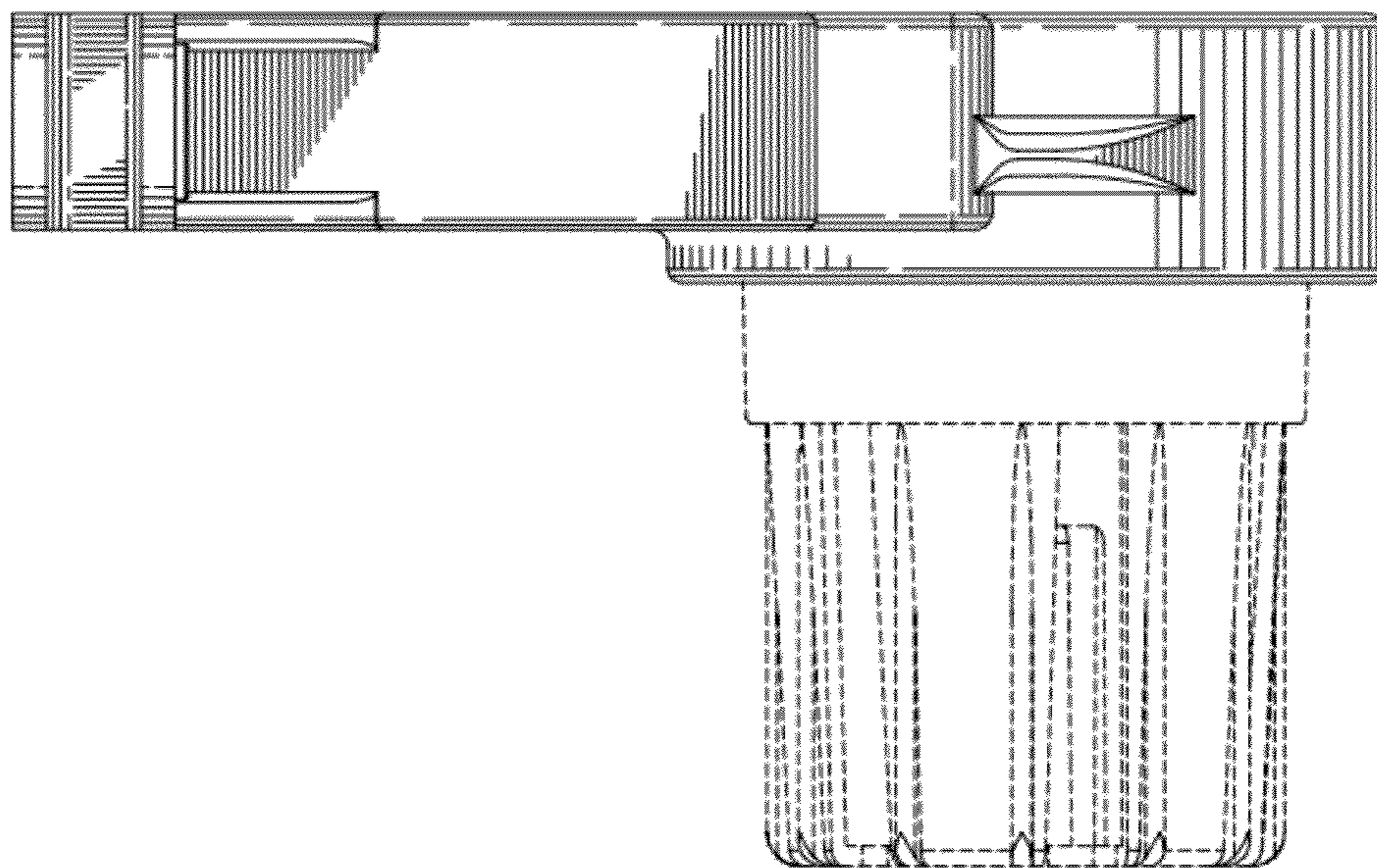


FIG. 8



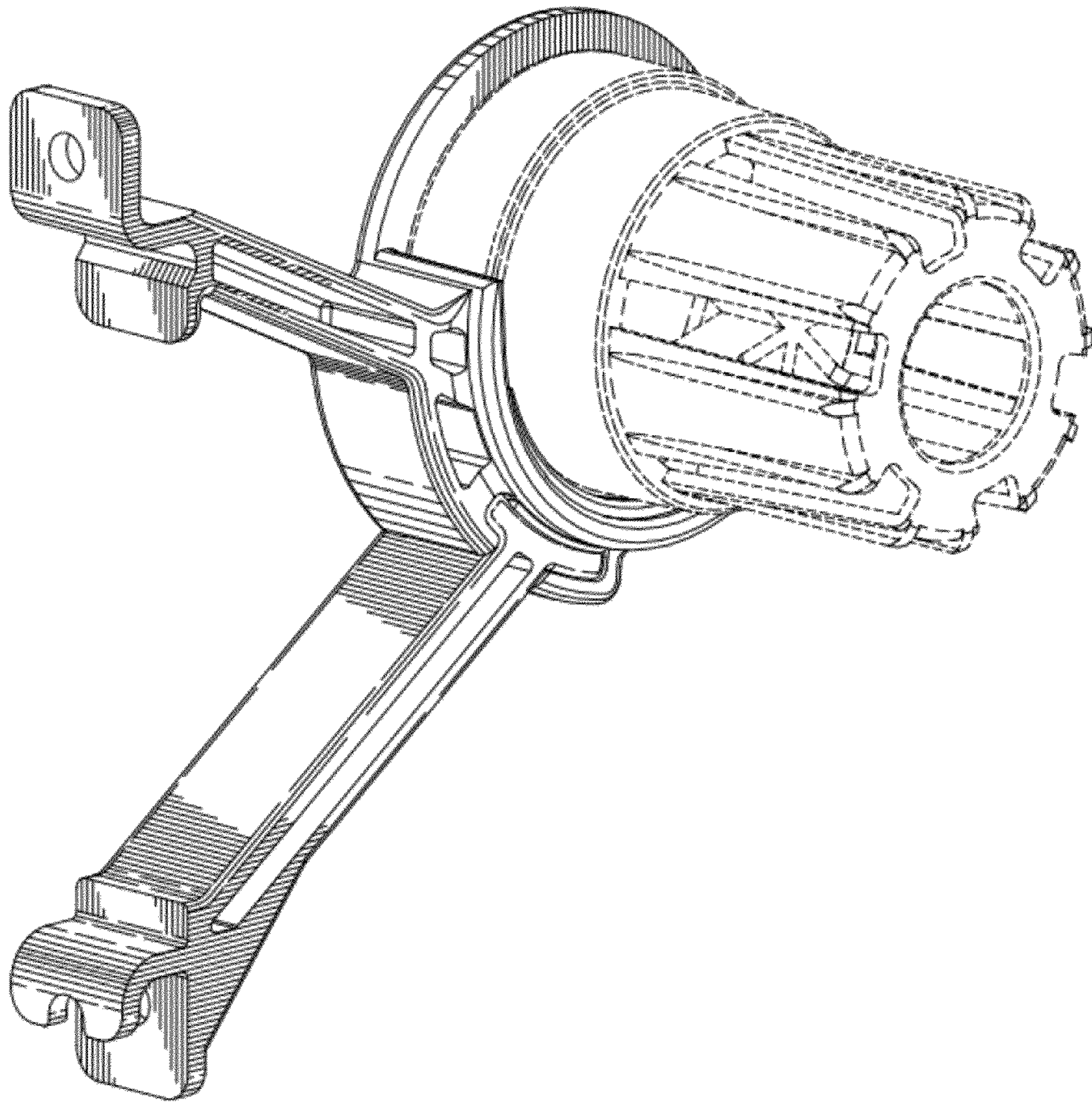


FIG. 9

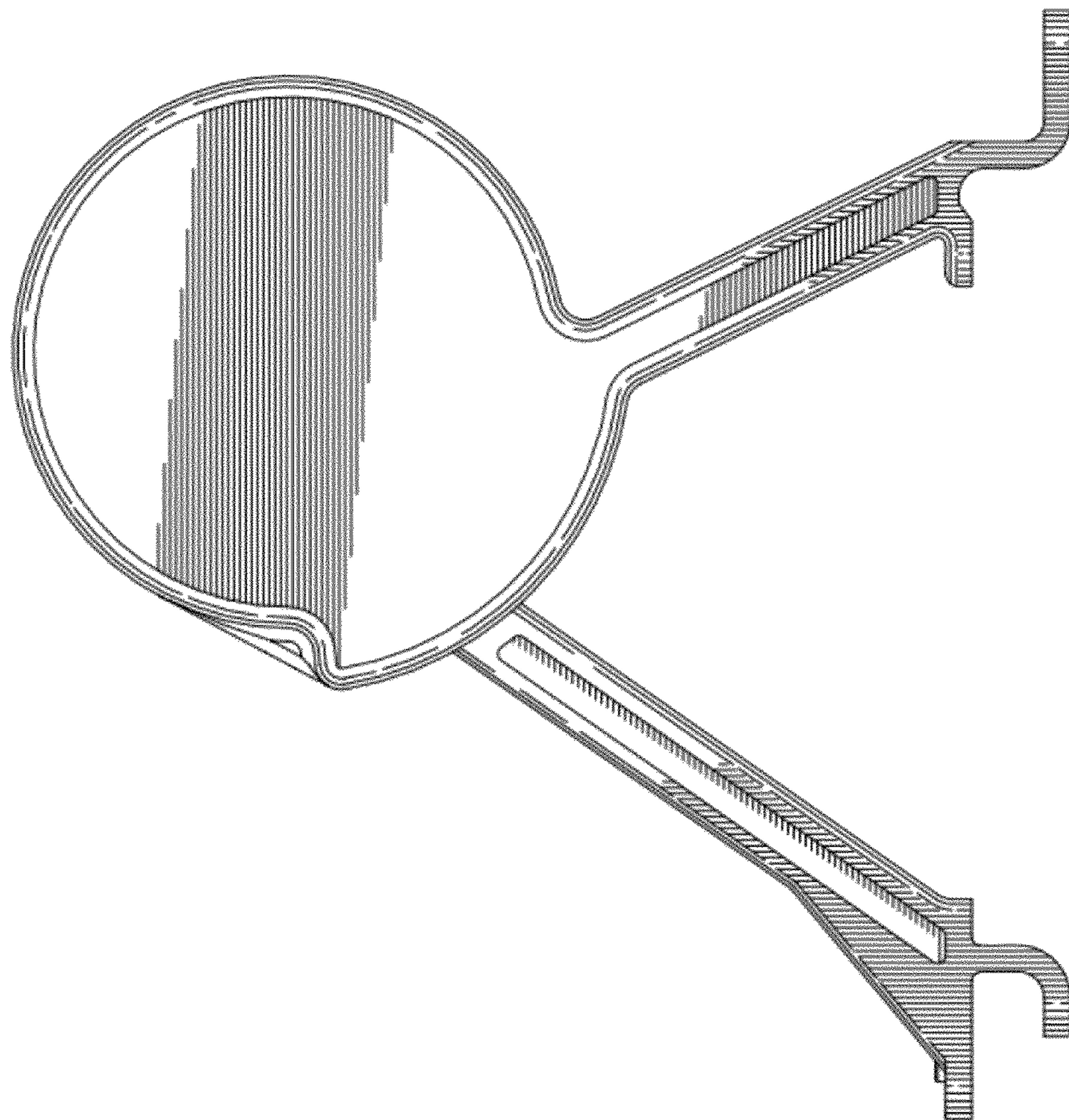


FIG. 10

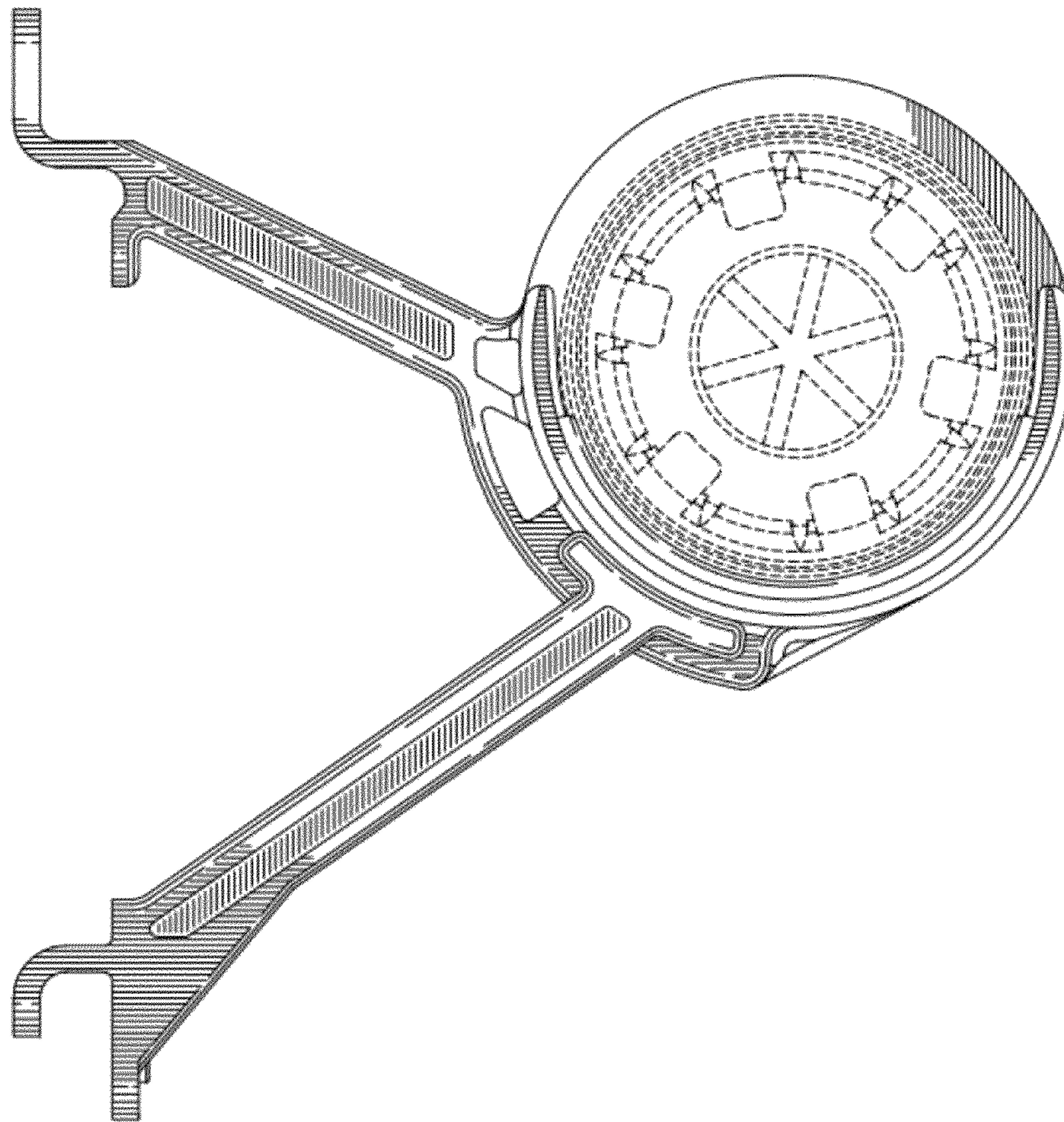


FIG. 11

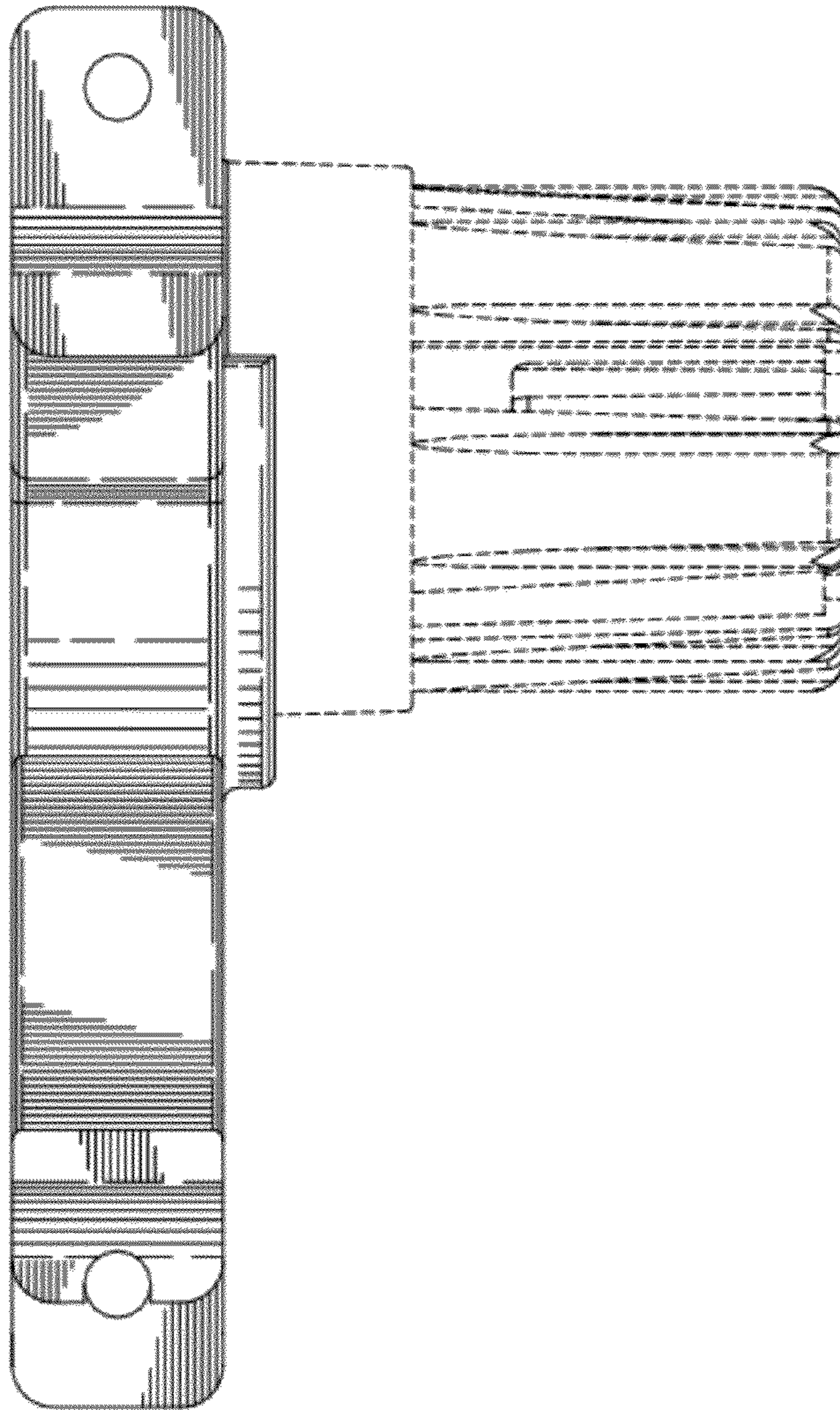


FIG. 12

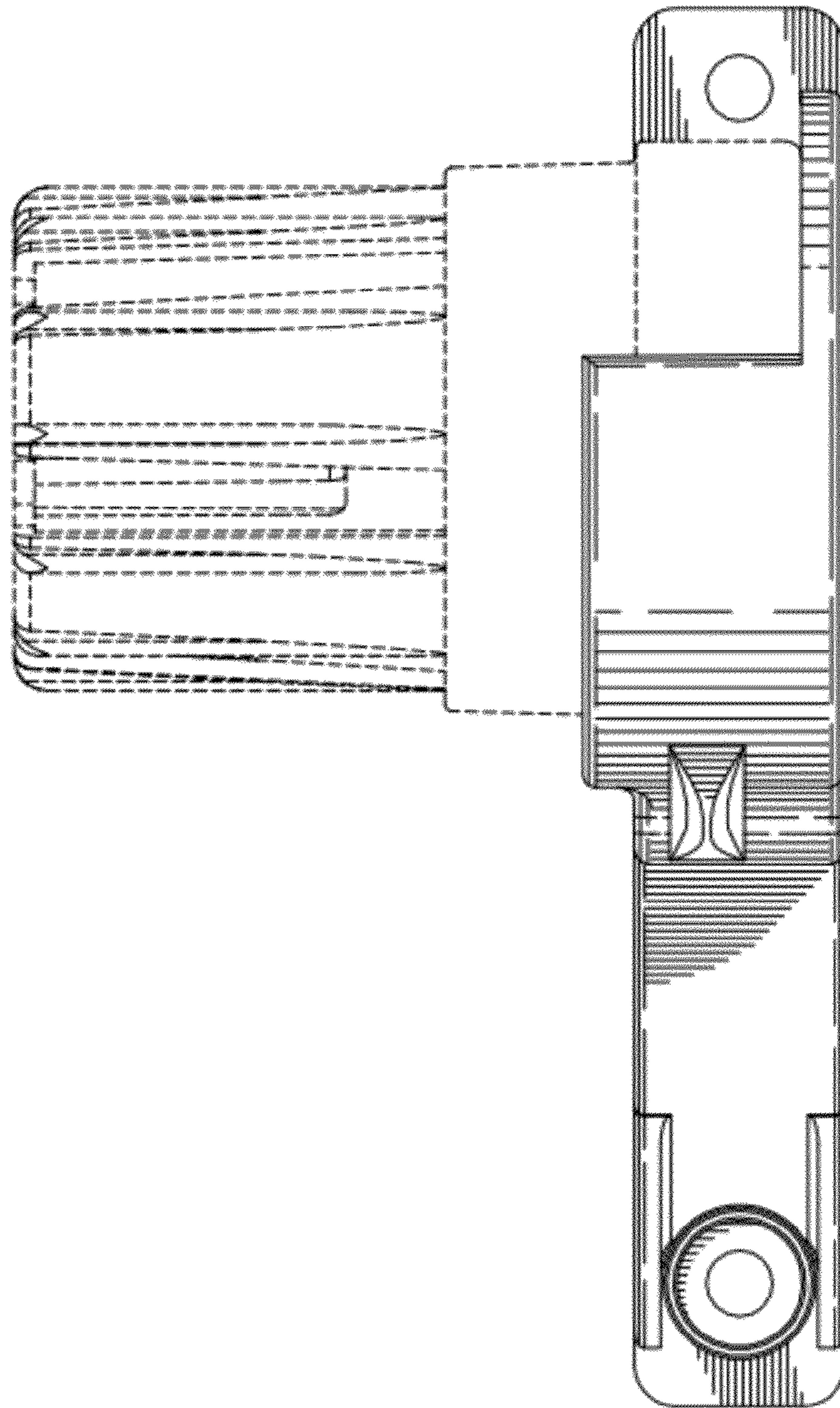


FIG. 13

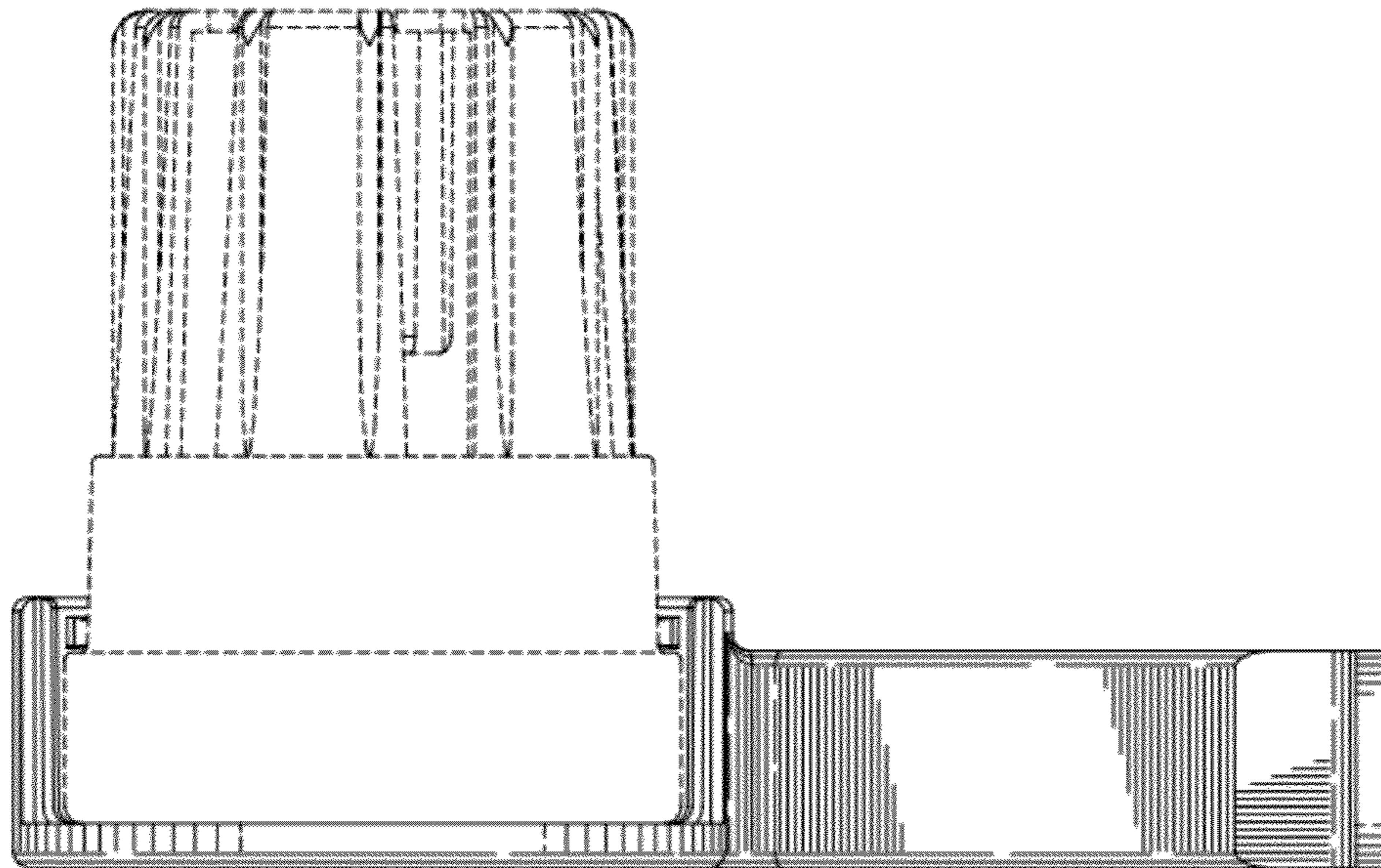


FIG. 14

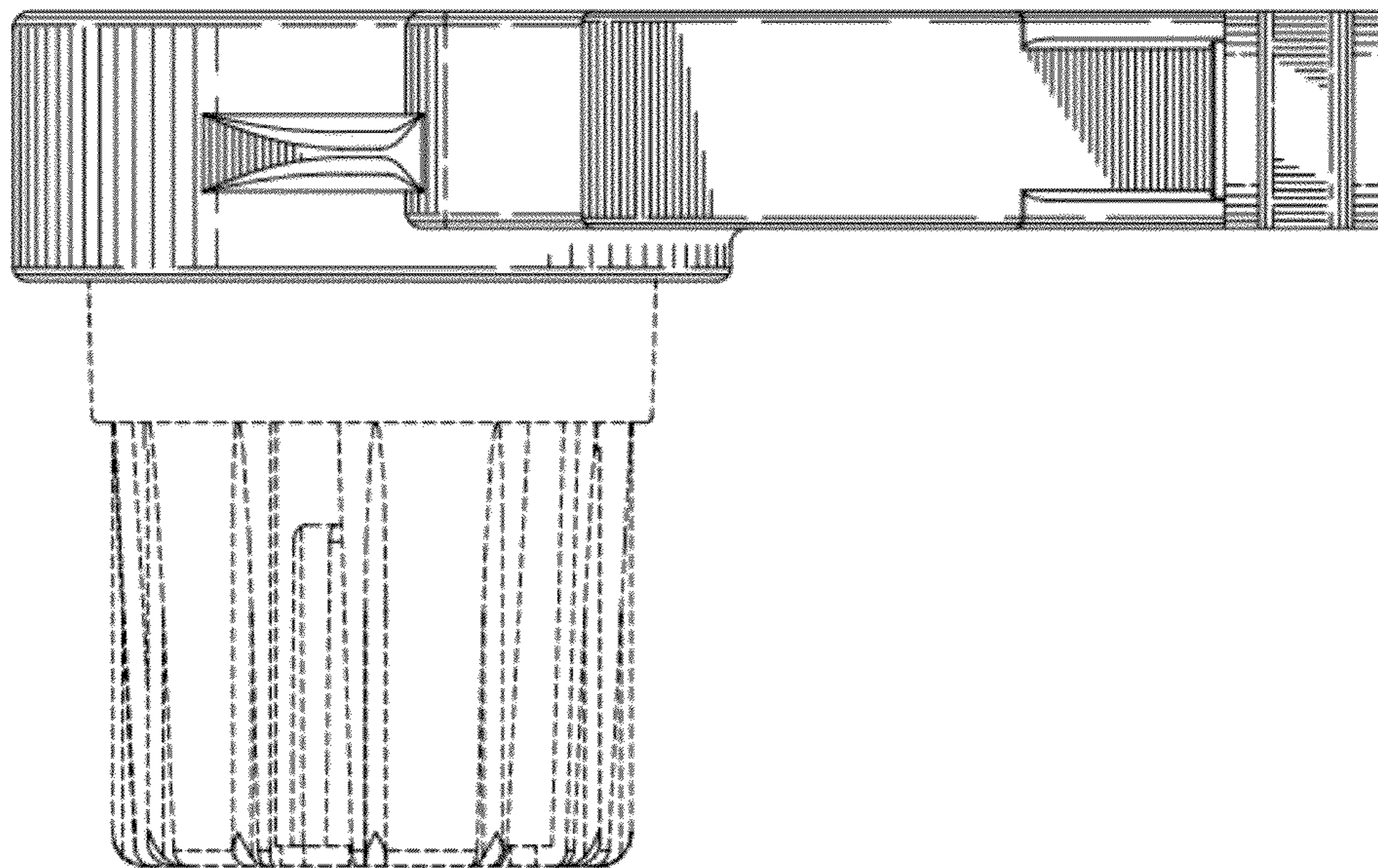


FIG. 15