



US00D660680S

(12) **United States Design Patent**  
**Han**

(10) **Patent No.:** **US D660,680 S**

(45) **Date of Patent:** **\*\* May 29, 2012**

(54) **CABINET KNOB**

(75) Inventor: **Kukjin Han**, High Point, NC (US)

(73) Assignee: **Hardware Resources, Inc.**, Bossier City, LA (US)

(\*\*) Term: **14 Years**

(21) Appl. No.: **29/374,069**

(22) Filed: **Jun. 30, 2011**

(51) **LOC (9) Cl.** ..... **08-06**

(52) **U.S. Cl.** ..... **D8/310**

(58) **Field of Classification Search** ..... D8/300,  
D8/305, 307, 310, 312, DIG. 2; D7/393;  
16/110.1, 415, 417; D11/222; D23/250,  
D23/252, 254; 63/3.1, 20; 292/347  
See application file for complete search history.

(56) **References Cited**

**U.S. PATENT DOCUMENTS**

D198,522 S	*	6/1964	Clayton	.....	D8/305
D219,422 S	*	12/1970	Tenger	.....	D8/310
D232,621 S	*	9/1974	Zagaroll	.....	D8/310

D251,475 S	*	4/1979	Clayton	.....	D8/310
D474,393 S	*	5/2003	Fields	.....	D8/310
D493,686 S	*	8/2004	Fields	.....	D8/310
D545,664 S	*	7/2007	Fields	.....	D8/310
D569,220 S	*	5/2008	McConnell	.....	D8/310
D580,736 S	*	11/2008	Matijevic	.....	D8/310
D604,586 S	*	11/2009	Rauk et al.	.....	D8/312
D621,238 S	*	8/2010	Rauk et al.	.....	D8/312

\* cited by examiner

*Primary Examiner* — Paula Greene

(74) *Attorney, Agent, or Firm* — Schultz & Associates, P.C.

(57) **CLAIM**

The ornamental design for a cabinet knob, as shown and described.

**DESCRIPTION**

FIG. 1 is a perspective view of a cabinet knob showing my new design;

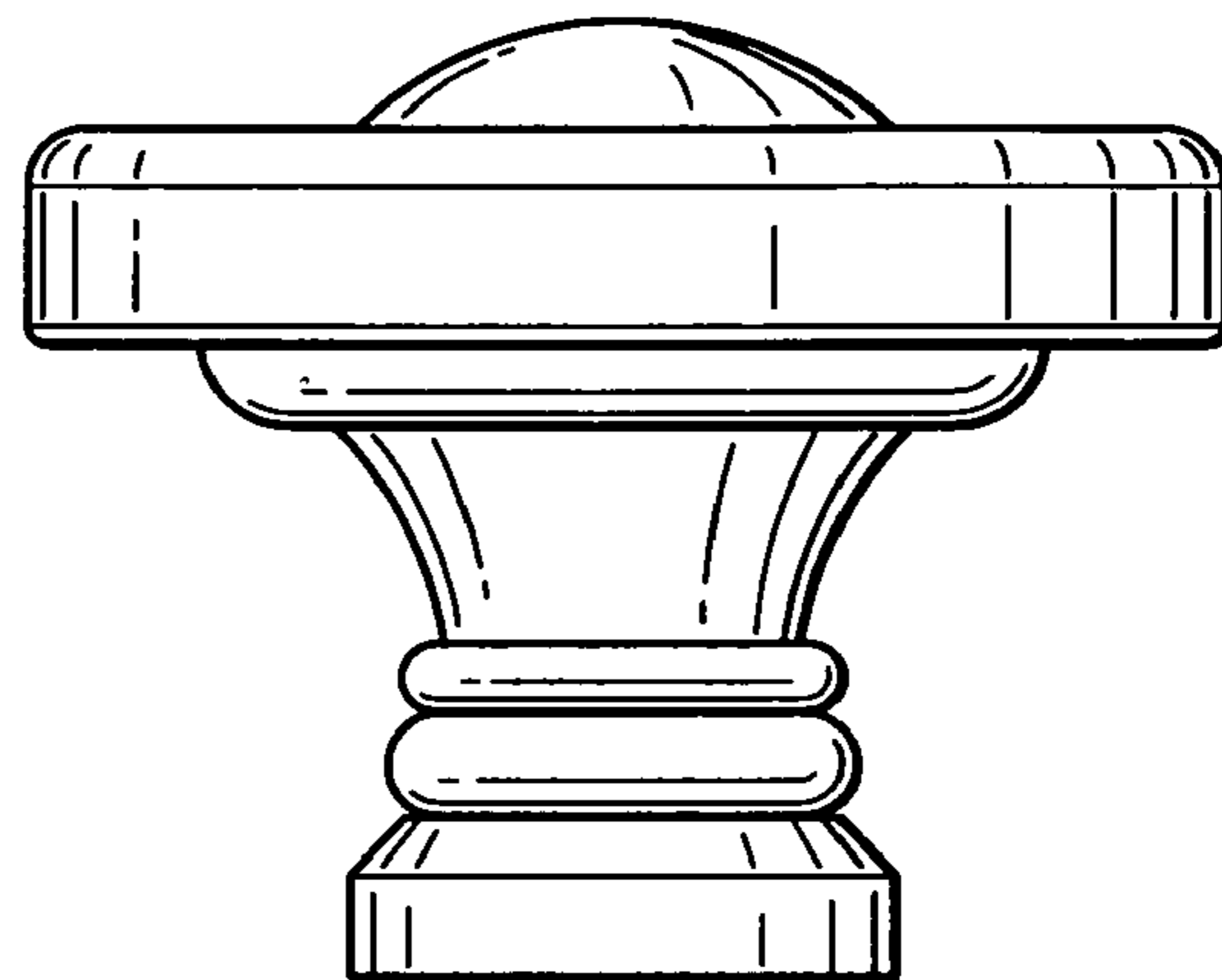
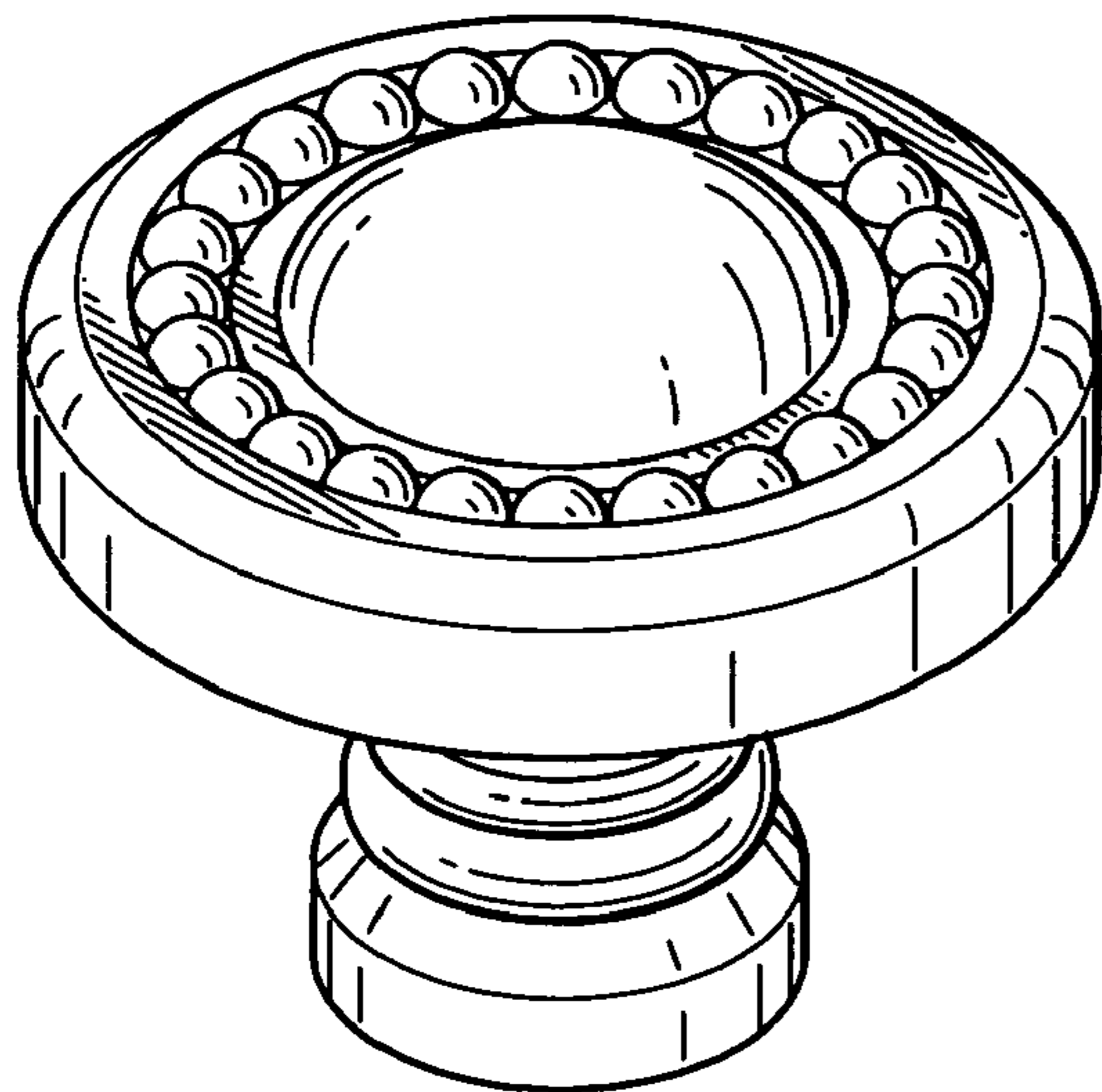
FIG. 2 is a side elevation view thereof;

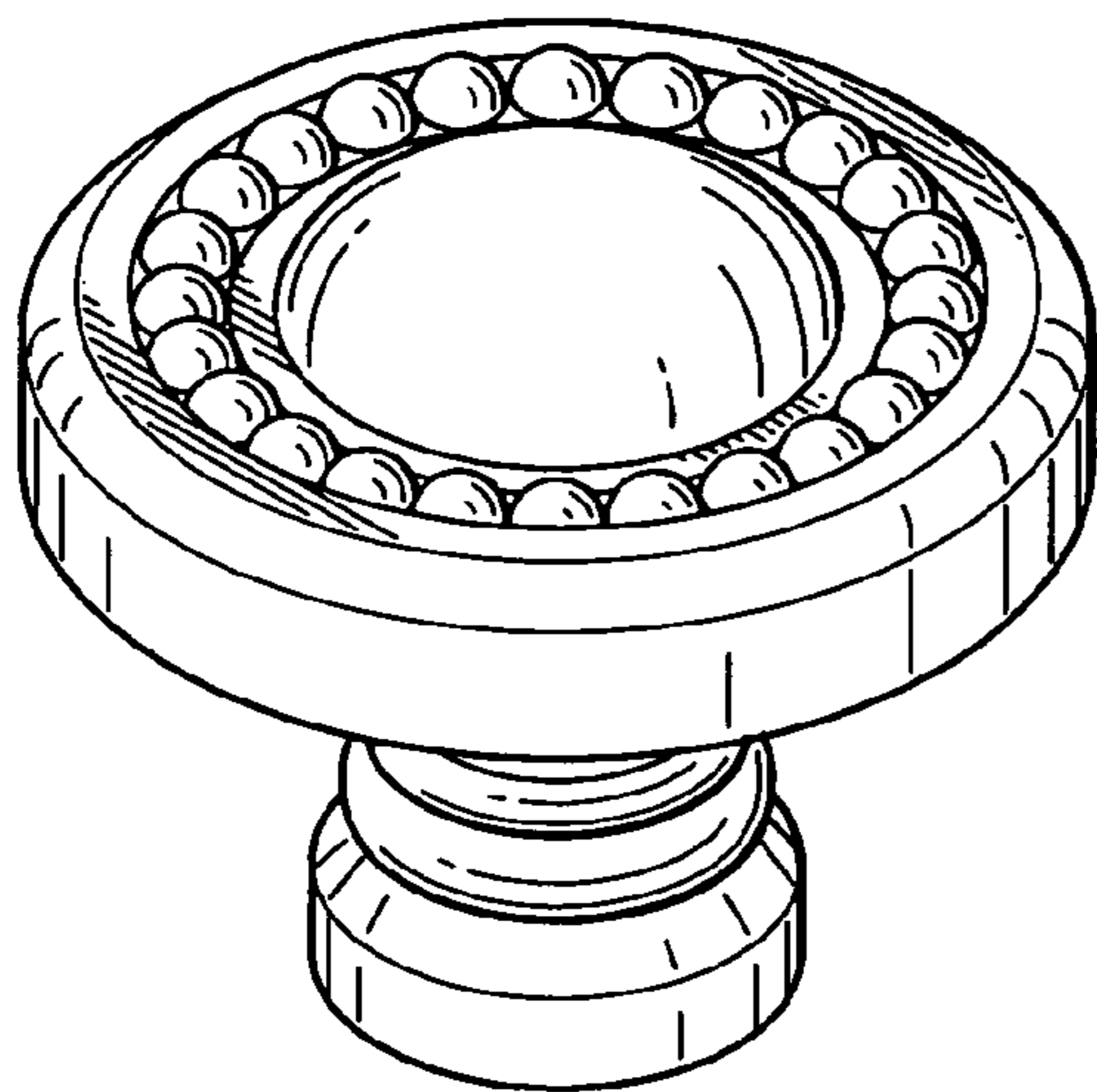
FIG. 3 is a top plan view thereof; and,

FIG. 4 is a bottom plan view thereof.

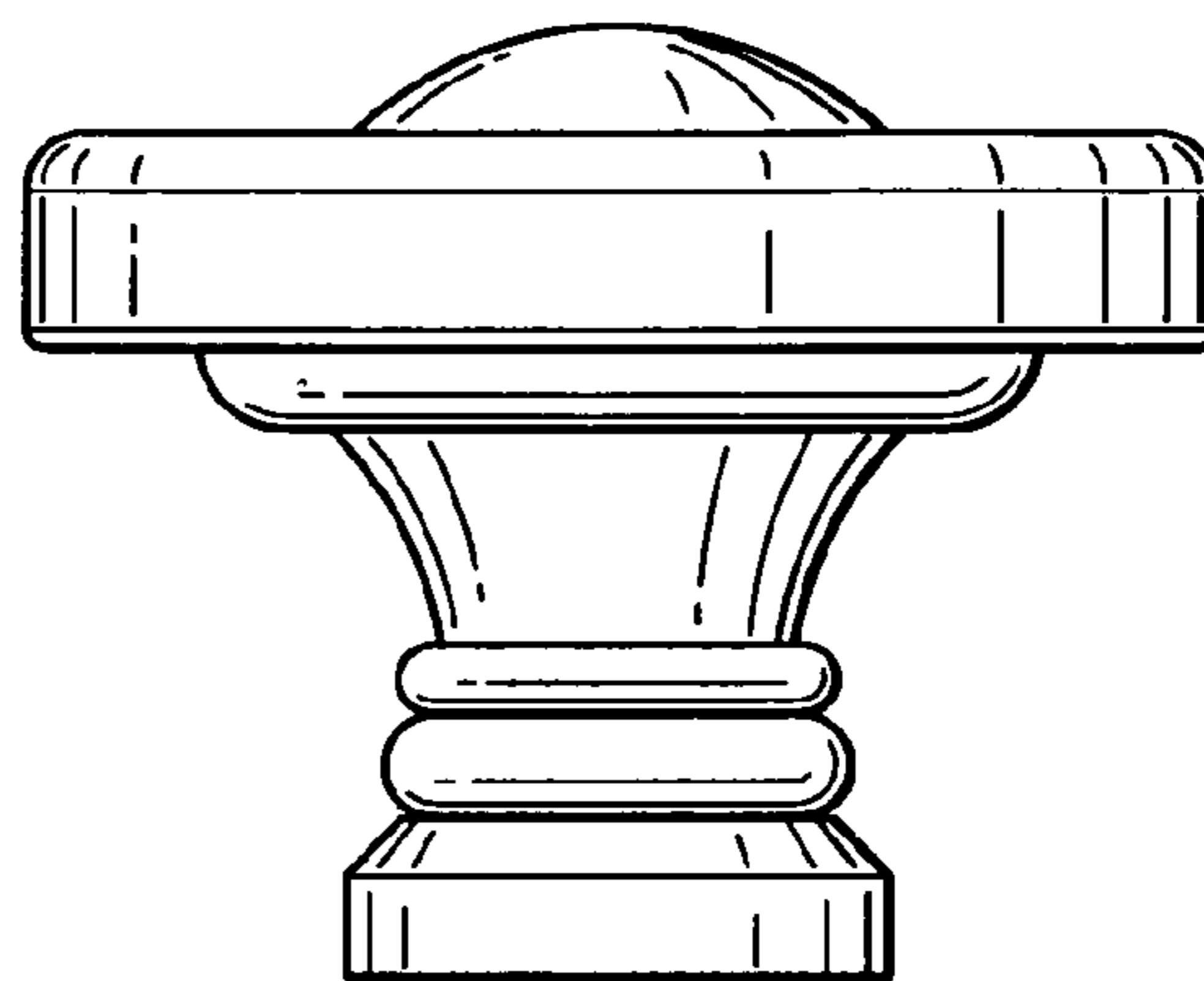
The broken lines shown represent unclaimed subject matter and form no part of the claimed design.

**1 Claim, 1 Drawing Sheet**

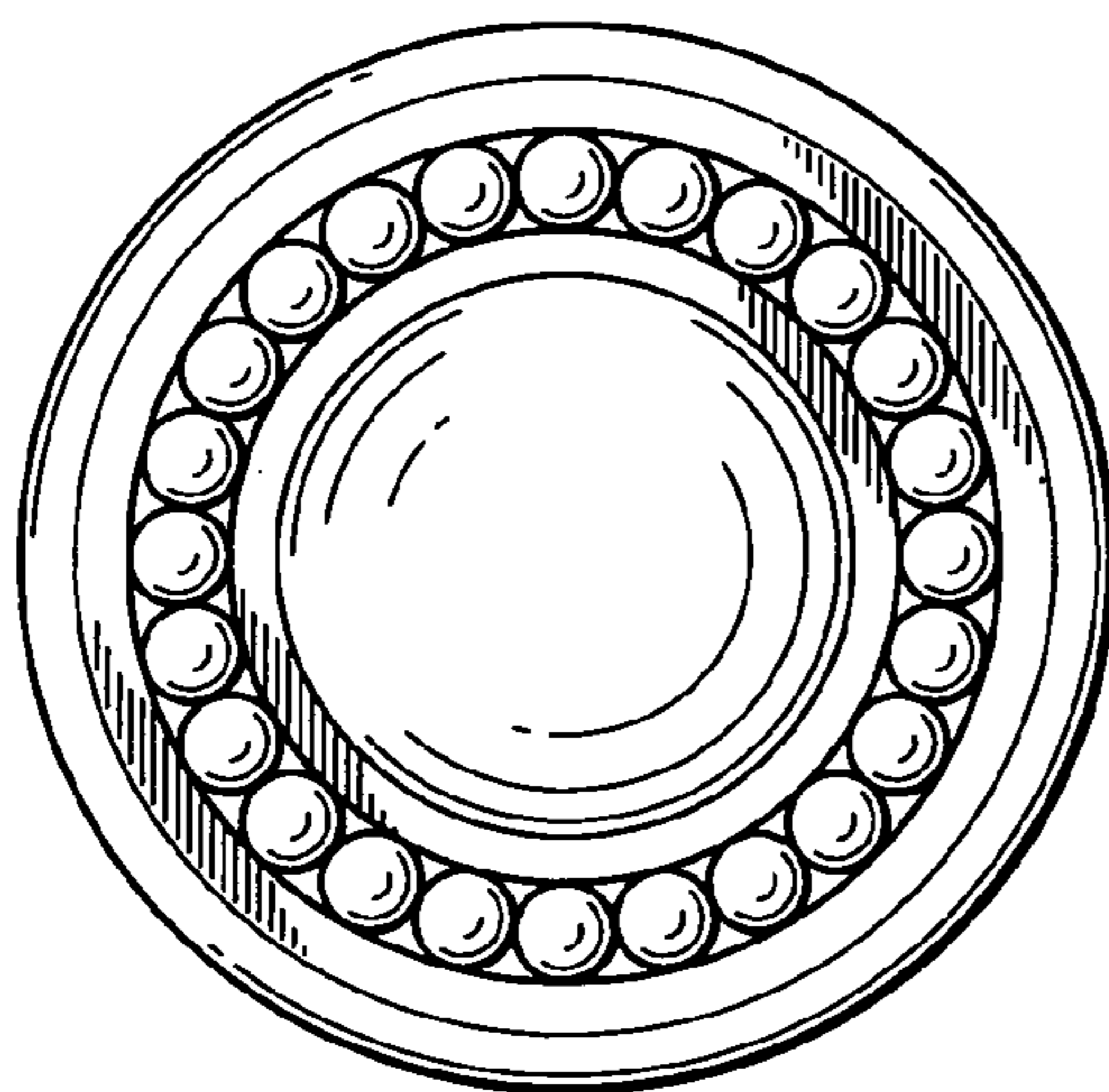




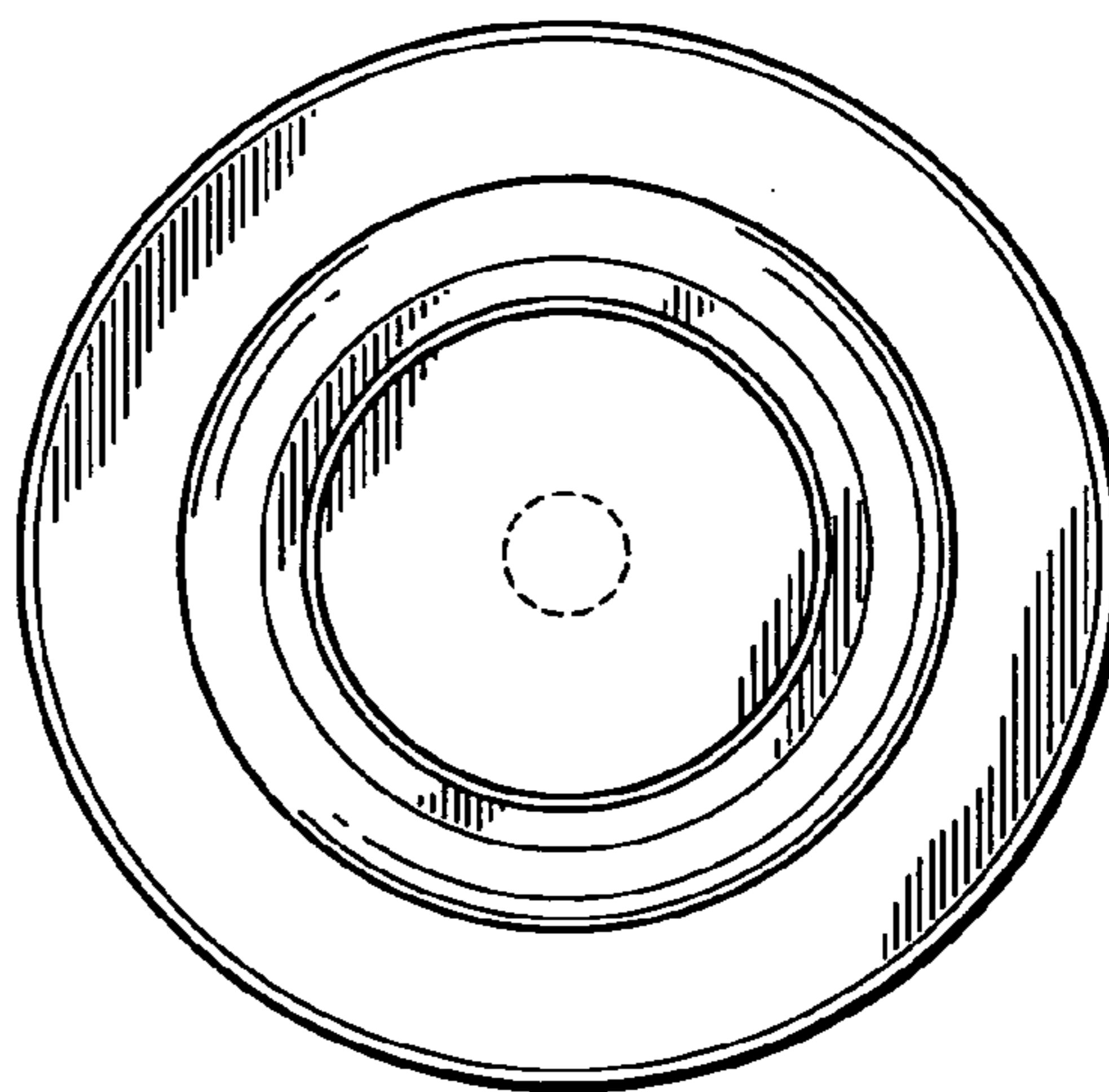
*FIG. 1*



*FIG. 2*



*FIG. 3*



*FIG. 4*