



US00D660679S

(12) **United States Design Patent**
Han

(10) **Patent No.:** **US D660,679 S**

(45) **Date of Patent:** **** May 29, 2012**

(54) **CABINET KNOB**

(75) Inventor: **Kukjin Han**, High Point, NC (US)

(73) Assignee: **Hardware Resources, Inc.**, Bossier City, LA (US)

(**) Term: **14 Years**

(21) Appl. No.: **29/374,065**

(22) Filed: **Jun. 29, 2011**

(51) **LOC (9) Cl.** **08-06**

(52) **U.S. Cl.** **D8/310**

(58) **Field of Classification Search** D8/300,
D8/305, 307, 310, 312, DIG. 2; 16/110.1,
16/415, 417; D23/250, 254, 252; D7/393;
292/347; 63/3.1, 20; D11/222

See application file for complete search history.

(56) **References Cited**

U.S. PATENT DOCUMENTS

D51,333 S * 10/1917 Heizmann D8/310
D221,052 S * 7/1971 McCain D8/310
D248,445 S * 7/1978 Palm, Jr. D8/310

D327,407 S * 6/1992 Clayton D8/310
5,499,427 A * 3/1996 Bowman 16/417
D368,638 S * 4/1996 Sonnenleiter D8/310
D368,640 S * 4/1996 Sonnenleiter D8/310
D429,455 S * 8/2000 Burns et al. D8/310
D474,672 S * 5/2003 Fields D8/310
D493,686 S * 8/2004 Fields D8/310
D545,664 S * 7/2007 Fields D8/310

* cited by examiner

Primary Examiner — Paula Greene

(74) *Attorney, Agent, or Firm* — Schultz & Associates, P.C.

(57) **CLAIM**

The ornamental design for a cabinet knob, as shown and described.

DESCRIPTION

FIG. 1 is a perspective view of a cabinet knob showing my new design;

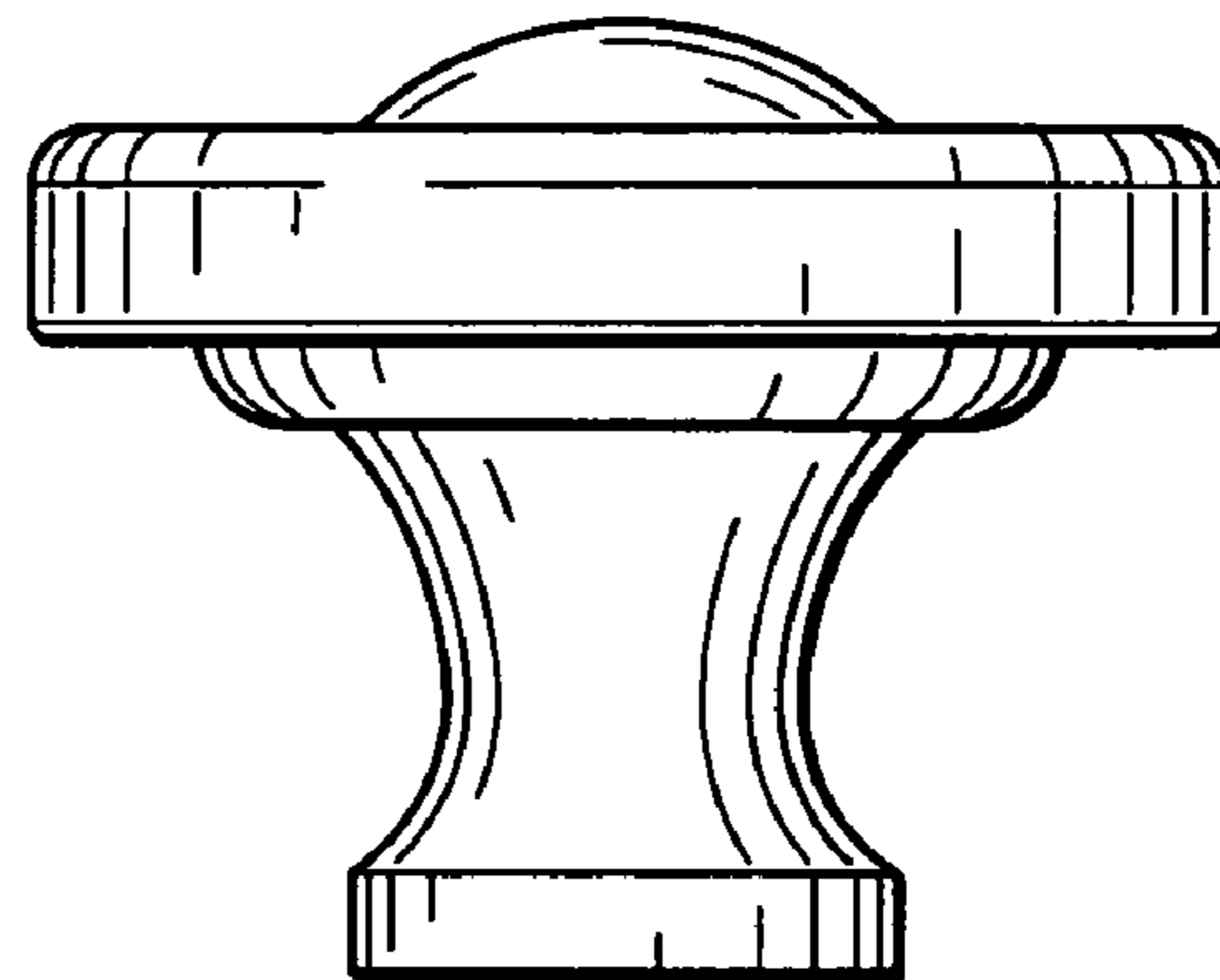
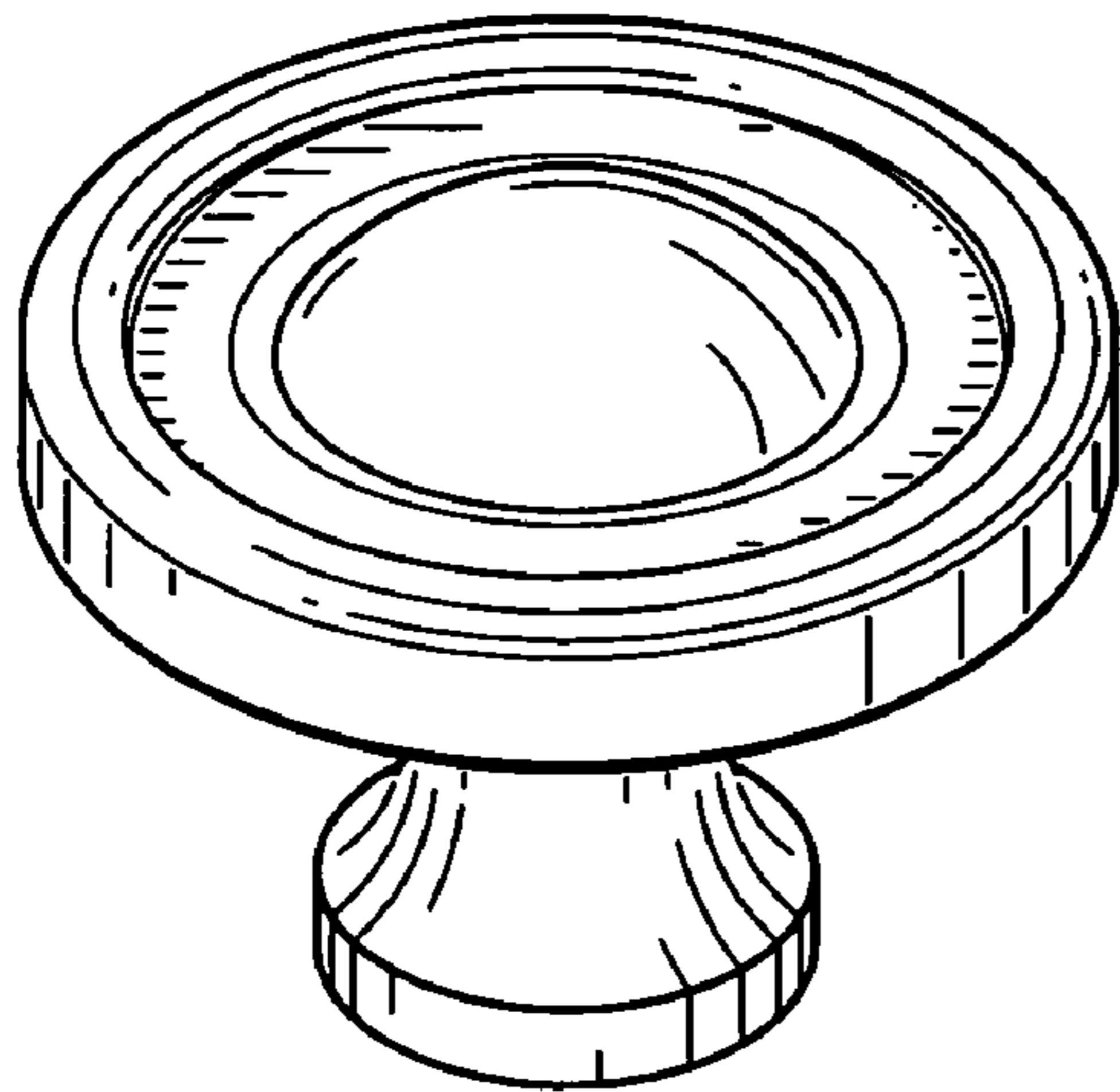
FIG. 2 is a side elevation view thereof;

FIG. 3 is a top plan view thereof; and,

FIG. 4 is a bottom plan view thereof.

The broken lines shown represent unclaimed subject matter and form no part of the claimed design.

1 Claim, 1 Drawing Sheet



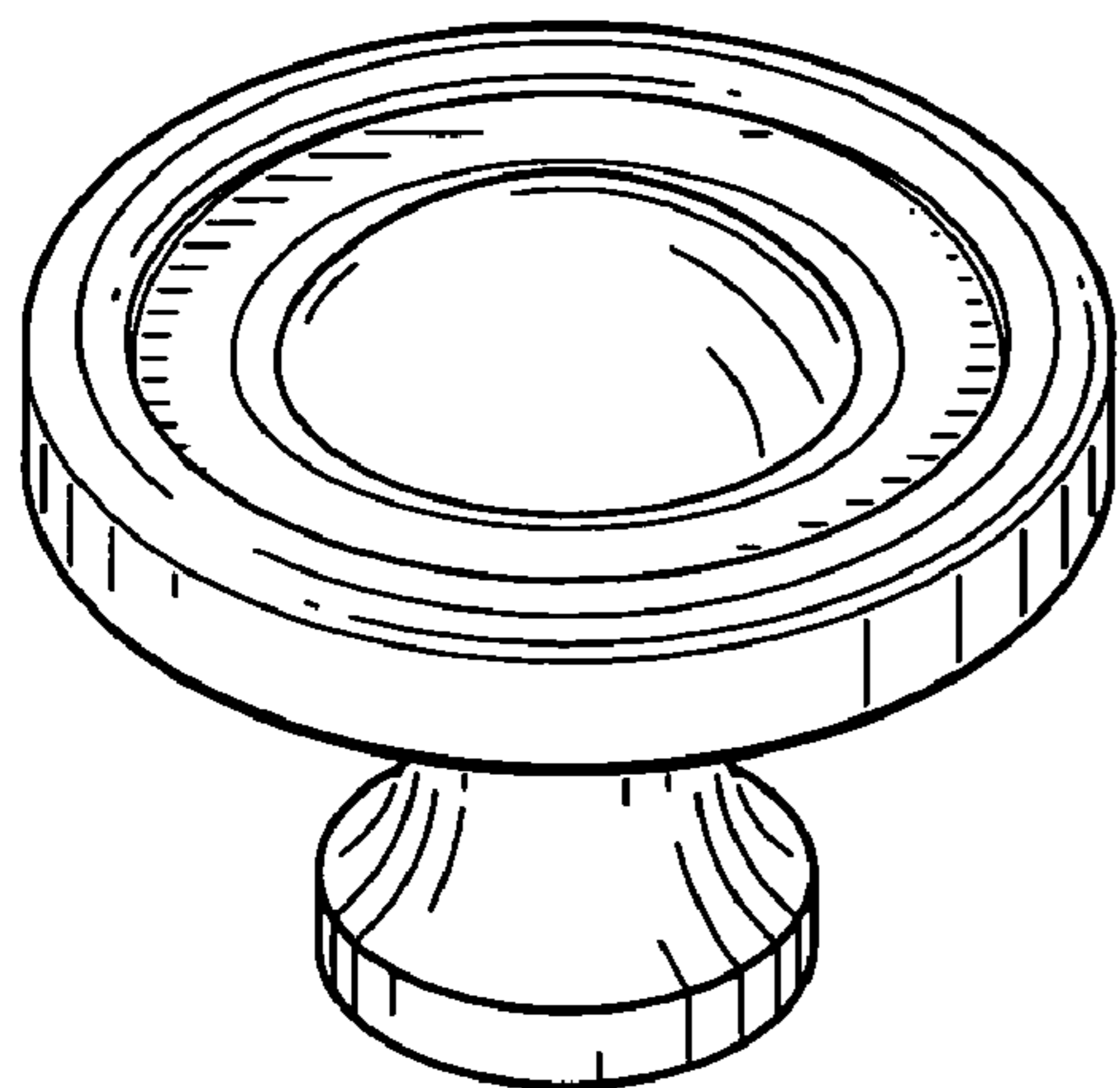


FIG. 1

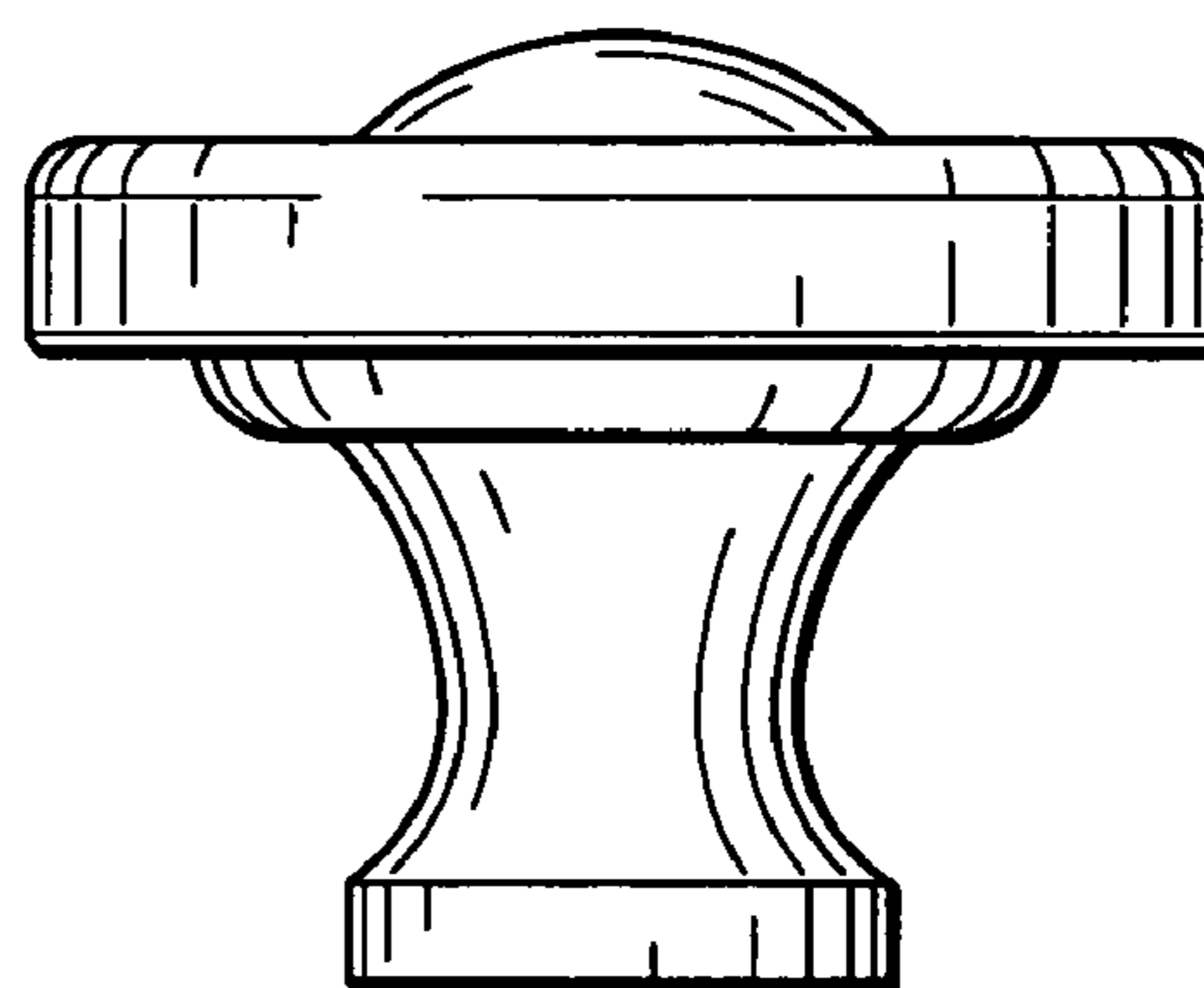


FIG. 2

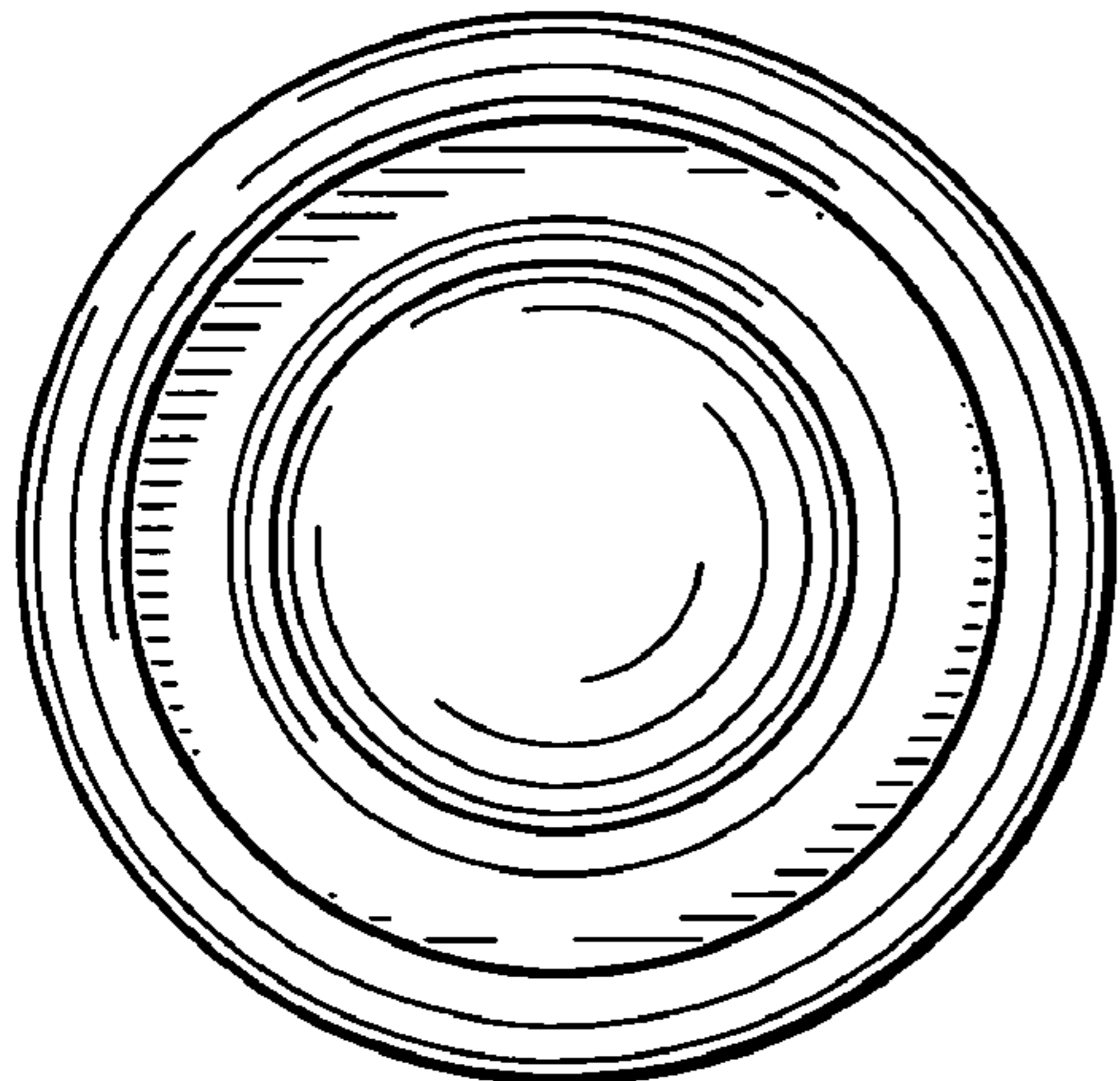


FIG. 3

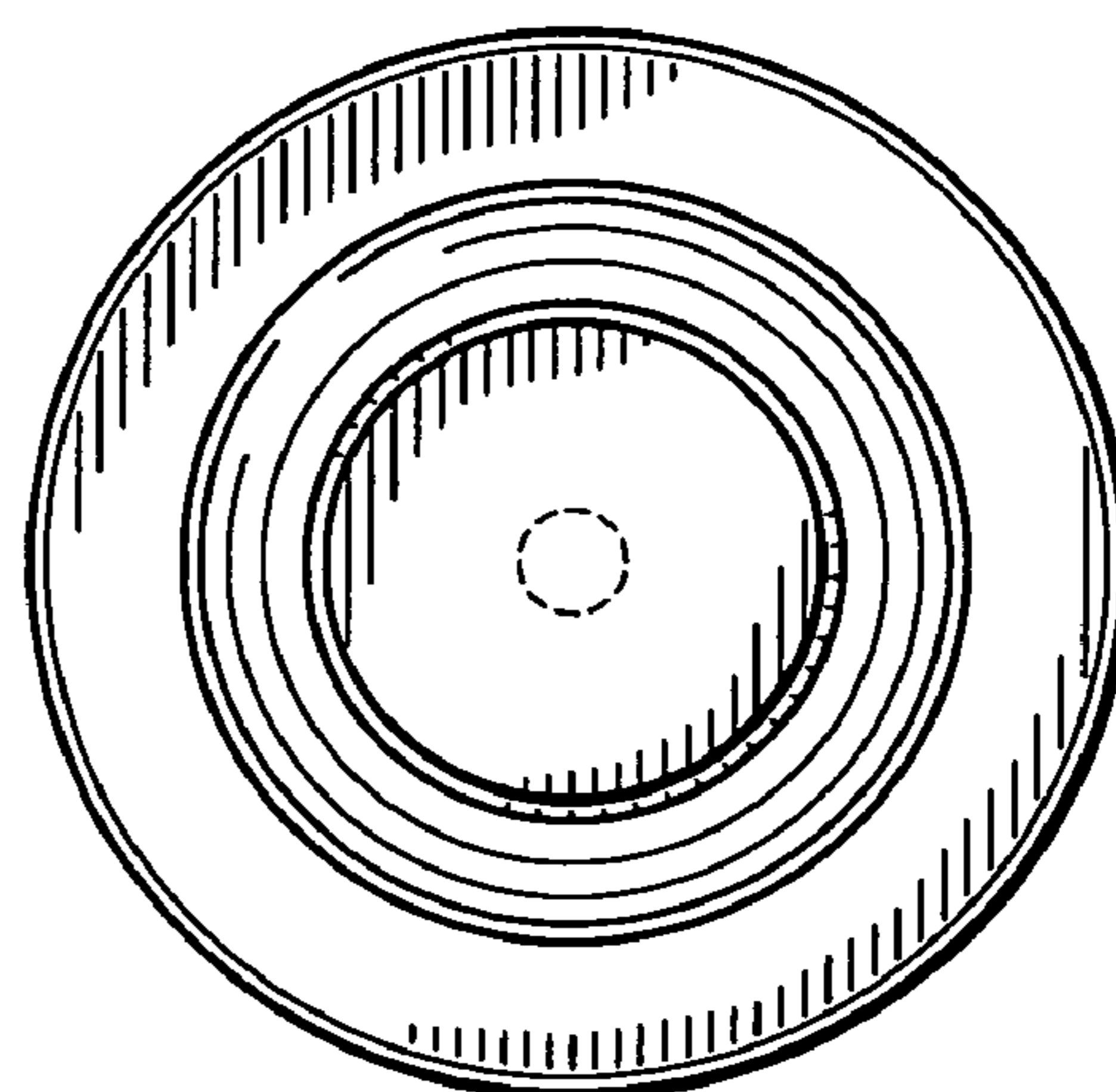


FIG. 4