



US00D660672S

(12) **United States Design Patent**
Davis

(10) **Patent No.:** **US D660,672 S**

(45) **Date of Patent:** **** May 29, 2012**

(54) **FASTENER DRIVER**

(76) Inventor: **Pamela S. Davis**, Akron, OH (US)

(**) Term: **14 Years**

(21) Appl. No.: **29/399,700**

(22) Filed: **Aug. 17, 2011**

(51) **LOC (9) Cl.** **08-04**

(52) **U.S. Cl.** **D8/86**

(58) **Field of Classification Search** D8/70,
D8/82, 85-87, 105; 81/125, 124.2, 436,
81/438-441, 460-461, 467, 489-490, 901

See application file for complete search history.

(56) **References Cited**

U.S. PATENT DOCUMENTS

1,908,080	A *	5/1933	Thompson	411/403
2,285,460	A *	6/1942	Purtell	411/404
2,369,852	A *	2/1945	Purtell	81/460
3,363,500	A *	1/1968	Simko	411/403
3,658,105	A *	4/1972	Burt et al.	81/460
3,673,912	A *	7/1972	Herr	411/403
3,675,694	A *	7/1972	Barlow	81/460
3,872,904	A *	3/1975	Barlow	81/460
4,480,514	A *	11/1984	Ponziani	81/461
D312,033	S *	11/1990	Carlson	D8/82
D327,824	S *	7/1992	Bianco, Sr.	D8/21
5,353,667	A *	10/1994	Wilner	81/436
5,408,905	A *	4/1995	Mikic et al.	81/460
5,470,334	A *	11/1995	Ross et al.	606/916
5,598,753	A *	2/1997	Lee	81/460
5,809,851	A *	9/1998	Thompson	81/124.2
5,868,049	A *	2/1999	Kanwal	81/460
5,904,081	A *	5/1999	Cushman et al.	81/461
5,957,645	A *	9/1999	Stacy	411/404
6,234,914	B1 *	5/2001	Stacy	470/63
6,295,900	B1 *	10/2001	Julicher et al.	81/436

6,367,358	B1 *	4/2002	Stacy	81/436
7,073,416	B2 *	7/2006	Kozak et al.	81/460
7,162,939	B2 *	1/2007	Totsu	81/460
7,165,482	B2 *	1/2007	Shapoval	81/451
7,311,026	B2 *	12/2007	Melton	81/436
7,425,112	B2 *	9/2008	Nowak, Jr.	411/402
7,730,812	B2 *	6/2010	Edland	81/460
7,891,274	B2 *	2/2011	Dilling	81/436
7,905,164	B2 *	3/2011	Kozak et al.	81/453
2005/0172762	A1 *	8/2005	Suzuki	81/460
2005/0268757	A1 *	12/2005	Walker	81/460
2006/0086214	A1 *	4/2006	Smed	81/461
2006/0236824	A1 *	10/2006	Walker	81/436
2009/0260489	A1 *	10/2009	Siong	81/460
2011/0048181	A1 *	3/2011	Tsai	81/460

* cited by examiner

Primary Examiner — Philip S Hyder

Assistant Examiner — Roselynn Cody

(74) *Attorney, Agent, or Firm* — Buckingham, Doolittle & Burroughs, LLP

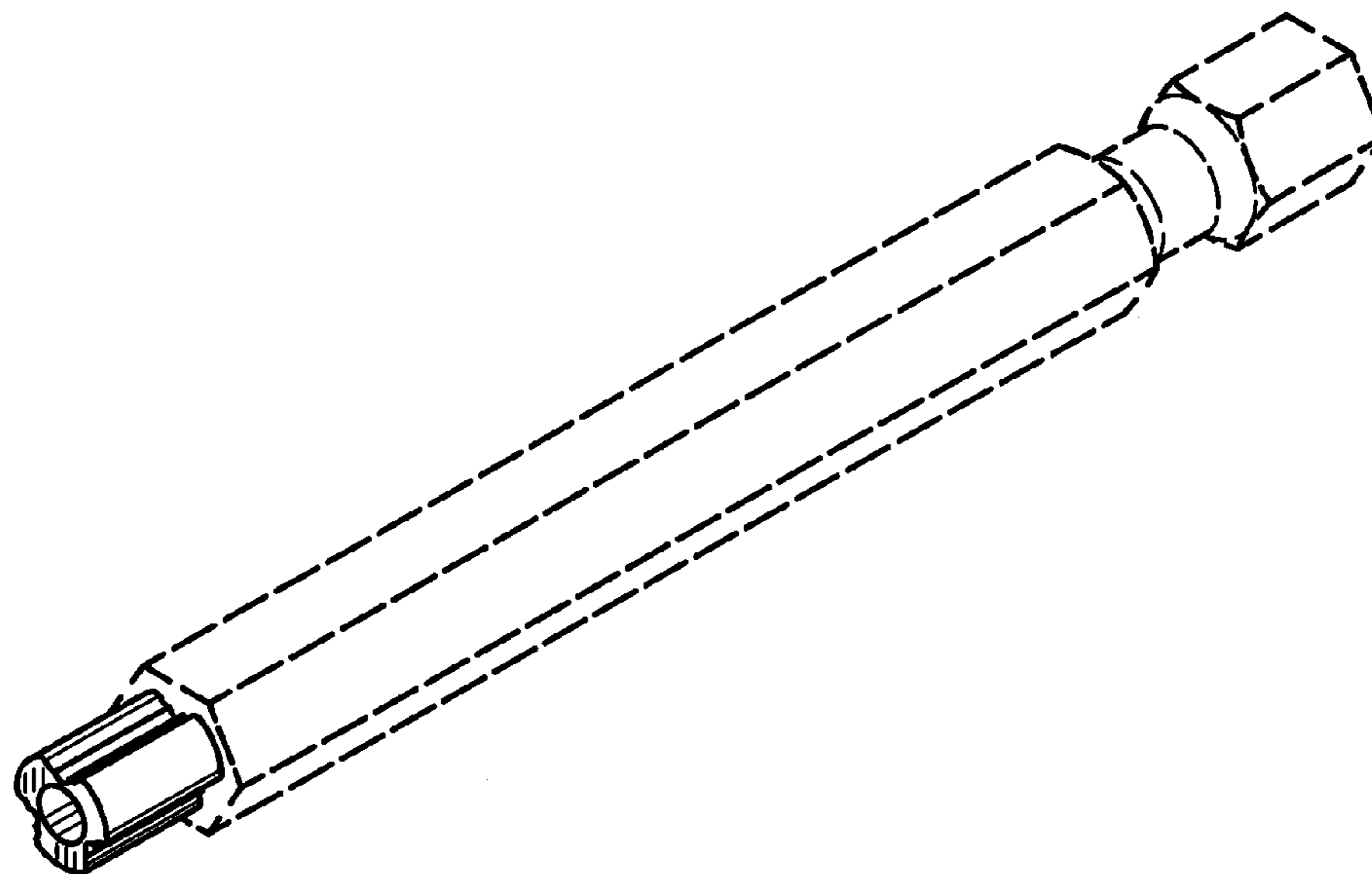
(57) **CLAIM**

I claim the ornamental design for a fastener driver, as shown and described.

DESCRIPTION

FIG. 1 is a front elevational view of the fastener driver of the present invention;
FIG. 2 is a cross sectional view thereof taken along lines 2-2 in FIG. 3;
FIG. 3 is a top view thereof;
FIG. 4 is a bottom view thereof; and,
FIG. 5 is a perspective view thereof.
The broken lines in the drawings illustrate portions of the fastener driver that form no part of the claim.

1 Claim, 5 Drawing Sheets



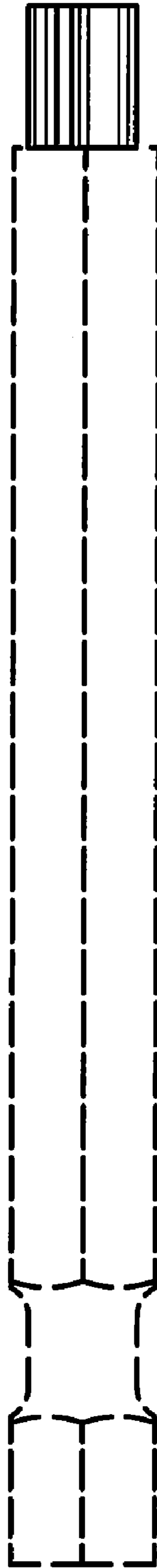


FIG. 1

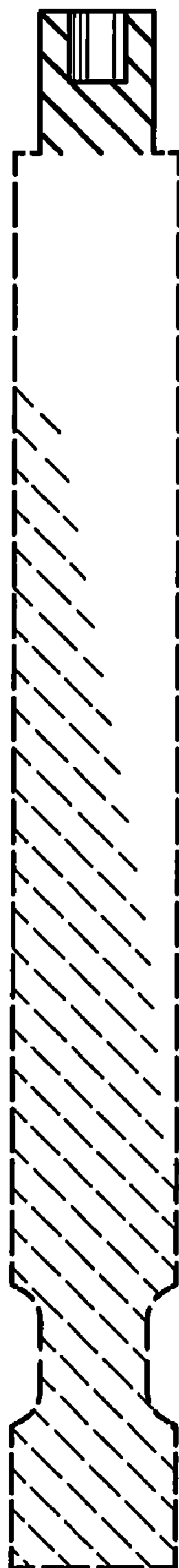


FIG. 2

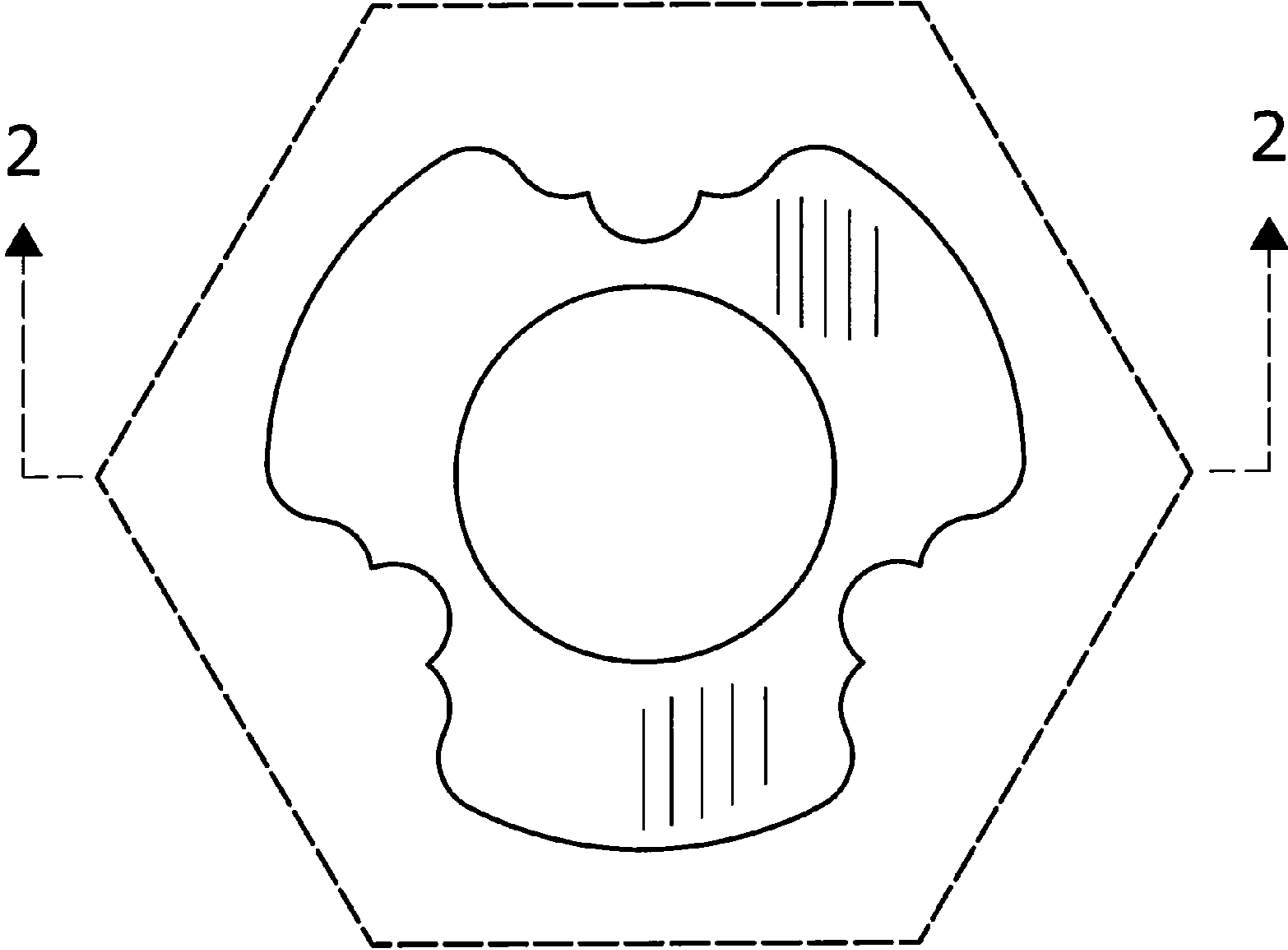


FIG. 3

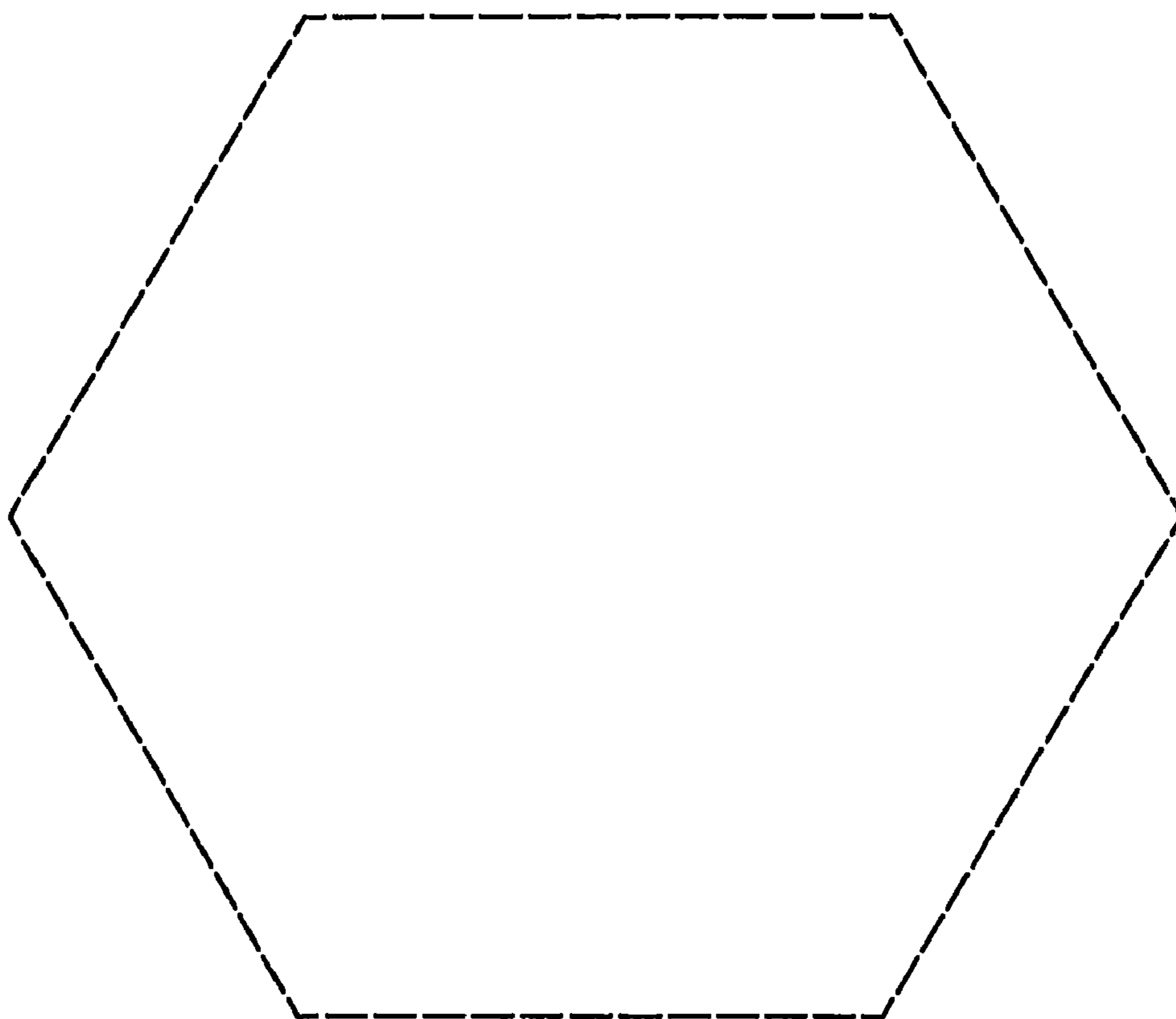


FIG. 4

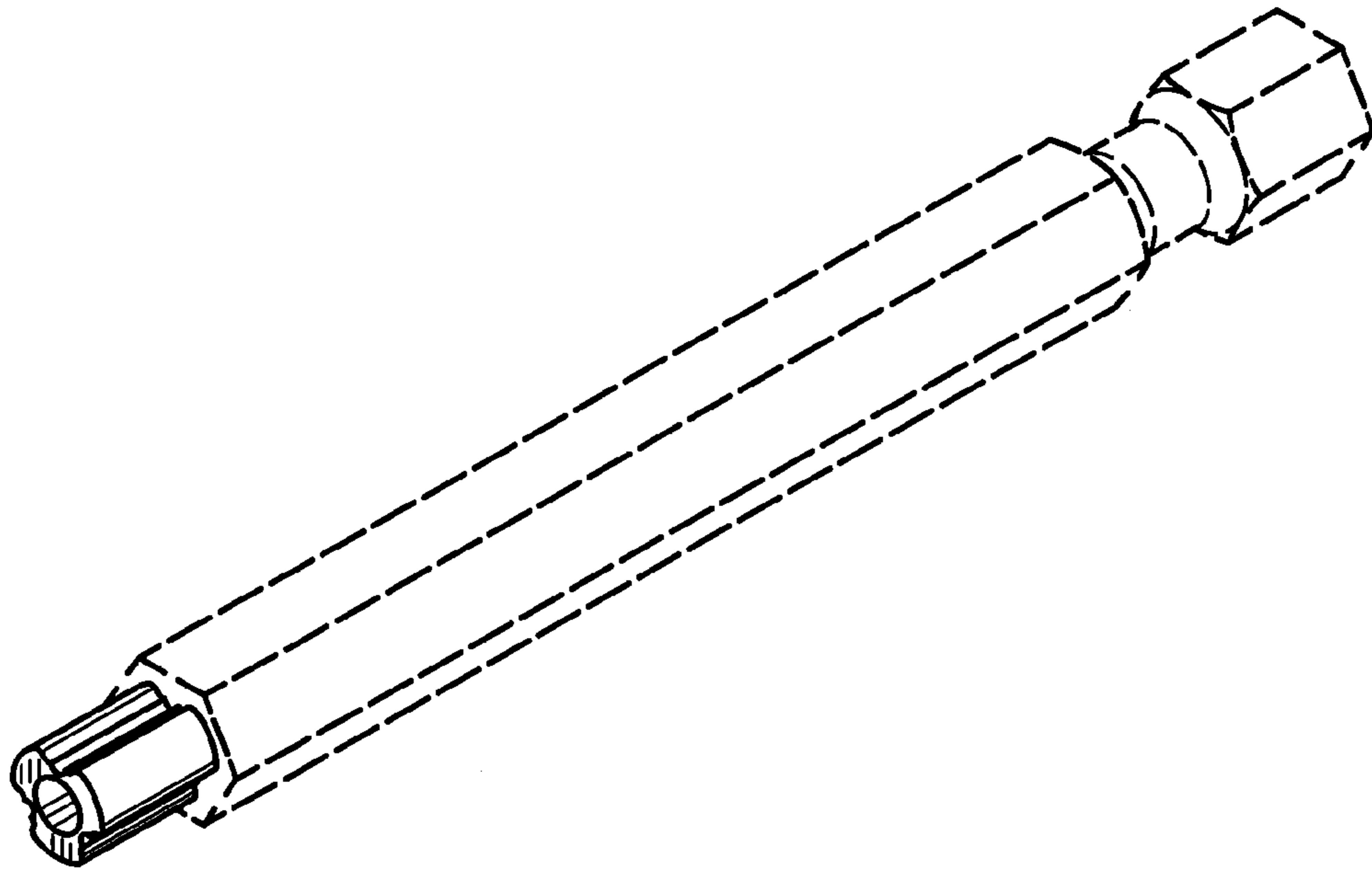


FIG. 5