



US00D660671S

(12) **United States Design Patent**  
**Jonsson et al.**

(10) **Patent No.:** **US D660,671 S**

(45) **Date of Patent:** **\*\* May 29, 2012**

(54) **HEAD FOR HAND TOOLS FOR INSTALLING  
PIPE AND HOSE CLAMPS**

(75) Inventors: **Tom Ossian Jonsson**, Skaelskor (DK);  
**Brian Rise Hamann Jensen**, Skaelskor  
(DK)

(73) Assignee: **SMCP ApS** (DK)

(\*\*) Term: **14 Years**

(21) Appl. No.: **29/353,478**

(22) Filed: **Jan. 8, 2010**

(30) **Foreign Application Priority Data**

Jul. 8, 2009 (EM) ..... 001574591-0003  
Jul. 8, 2009 (EM) ..... 001574591-0005  
Jul. 8, 2009 (EM) ..... 001574591-0007  
Jul. 8, 2009 (EM) ..... 001574591-0009

(51) **LOC (9) Cl.** ..... **08-05**

(52) **U.S. Cl.** ..... **D8/51**

(58) **Field of Classification Search** ..... D8/1, 4,  
D8/5, 14, 21, 26, 33, 34, 40, 70, 71, 51-58,  
D8/60, 105-107; 52/586.1, 586.2, 745.21,  
52/749.1

See application file for complete search history.

(56) **References Cited**

**U.S. PATENT DOCUMENTS**

D353,315 S \* 12/1994 Romeo ..... D8/70  
D356,016 S \* 3/1995 Jewell ..... D8/21

5,598,682 A \* 2/1997 Haughian ..... 52/745.21  
D398,360 S \* 9/1998 George ..... D21/793  
D404,632 S \* 1/1999 Reynolds et al. .... D8/107  
D415,664 S \* 10/1999 Rapoport et al. .... D8/21

\* cited by examiner

*Primary Examiner* — Deanna L Fluegeman

(74) *Attorney, Agent, or Firm* — St. Onge Steward Johnston  
& Reens LLC

(57) **CLAIM**

The ornamental design for a head for hand tools for installing  
pipe and hose clamps, as shown and described.

**DESCRIPTION**

FIG. 1 is a front, right side and top perspective view of a first  
embodiment of a head for hand tools for installing pipe and  
hose clamps in accordance with the new design;

FIG. 2 is a front perspective view thereof;

FIG. 3 is a rear perspective view thereof;

FIG. 4 is a right side perspective view thereof; and

FIG. 5 is a left side perspective view thereof;

FIG. 6 is a top plan view thereof;

FIG. 7 is a bottom plan view thereof; and

FIG. 8 is a front, right side and top perspective view of a  
second embodiment of a head for hand tools for installing  
pipe and hose clamps in accordance with the new design;

FIG. 9 is a front perspective view thereof;

FIG. 10 is a rear perspective view thereof;

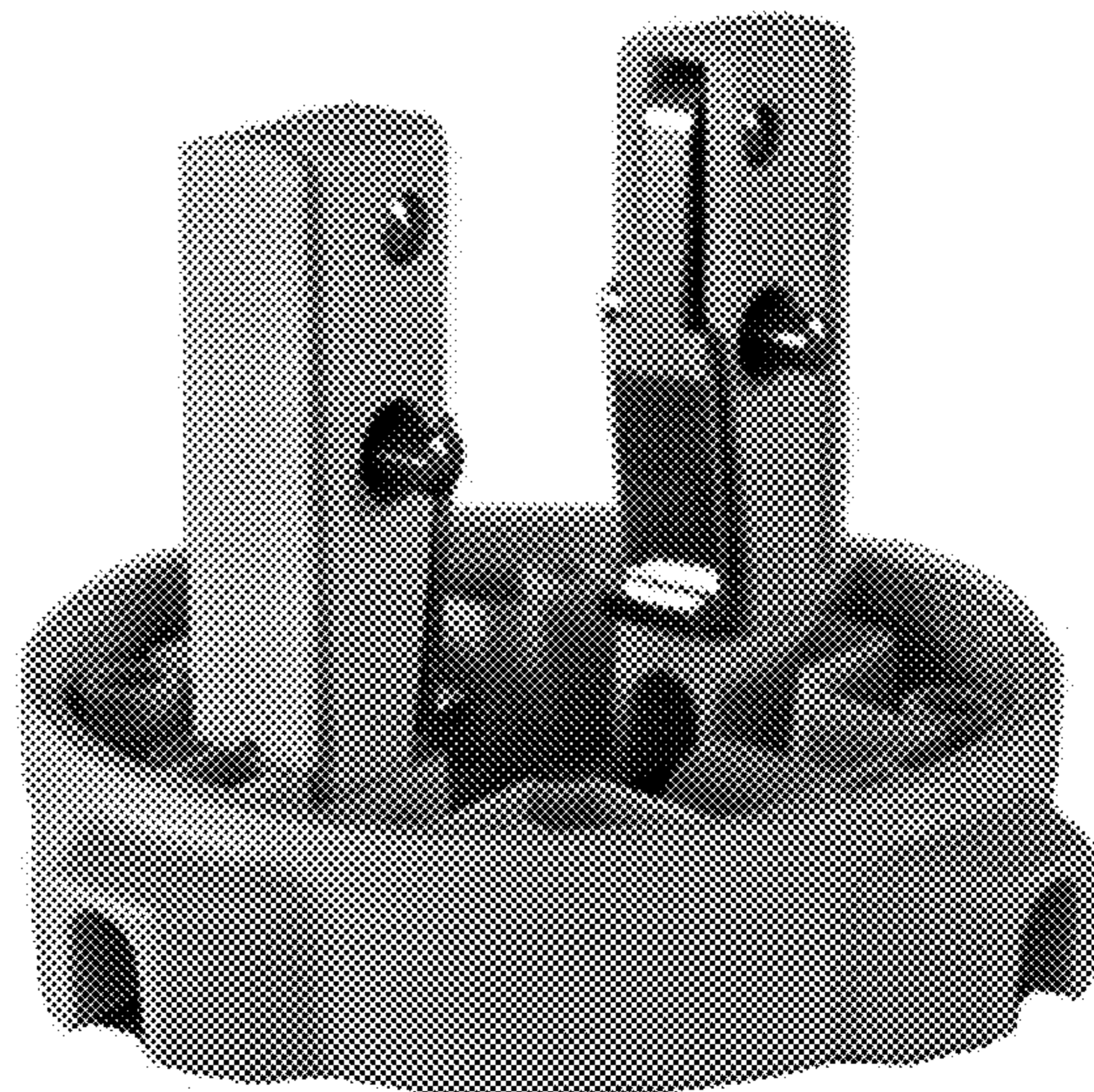
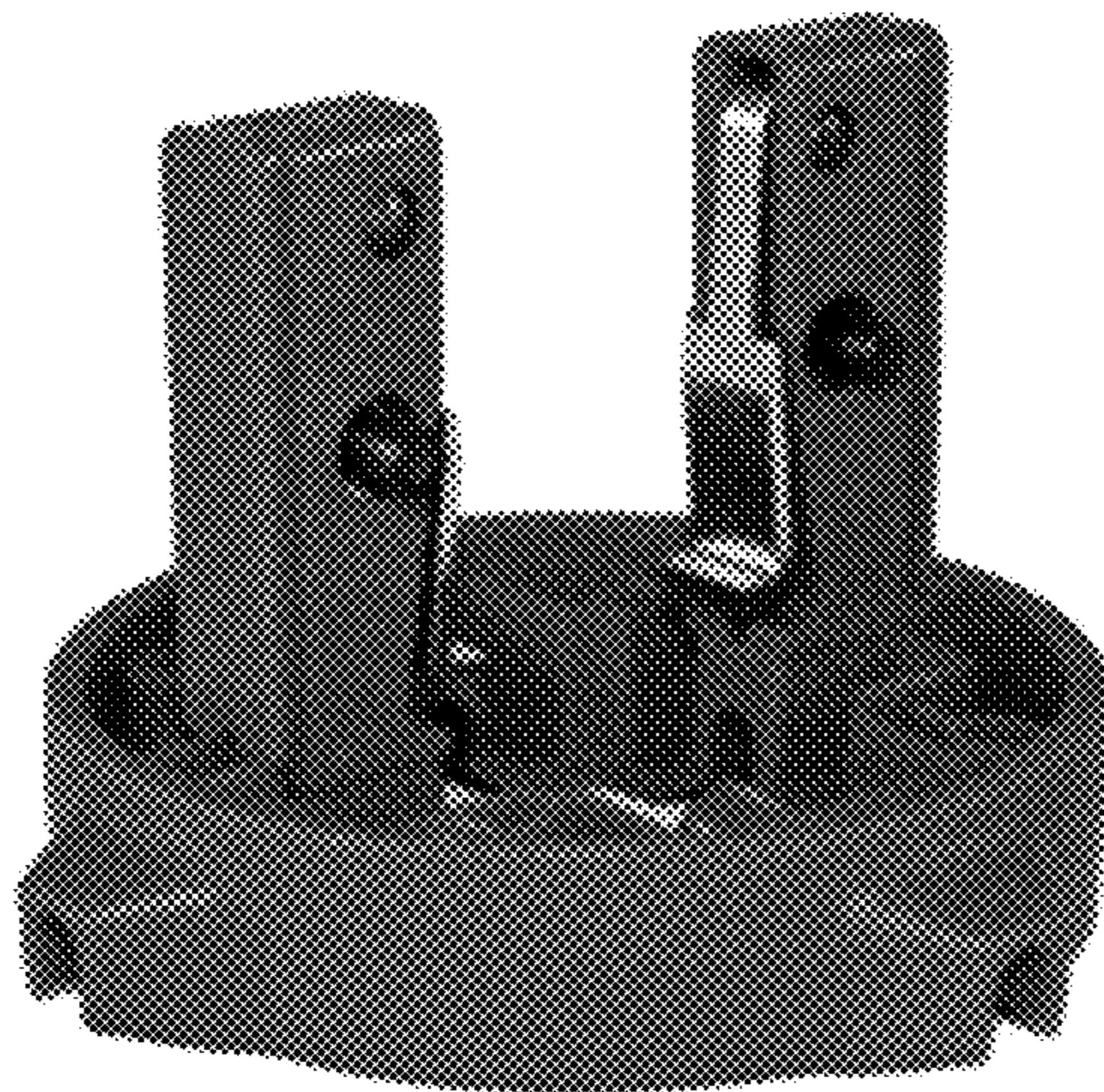
FIG. 11 is a right side perspective view thereof; and,

FIG. 12 is a left side perspective view thereof;

FIG. 13 is a top plan view thereof; and,

FIG. 14 is a bottom plan view thereof.

**1 Claim, 14 Drawing Sheets**

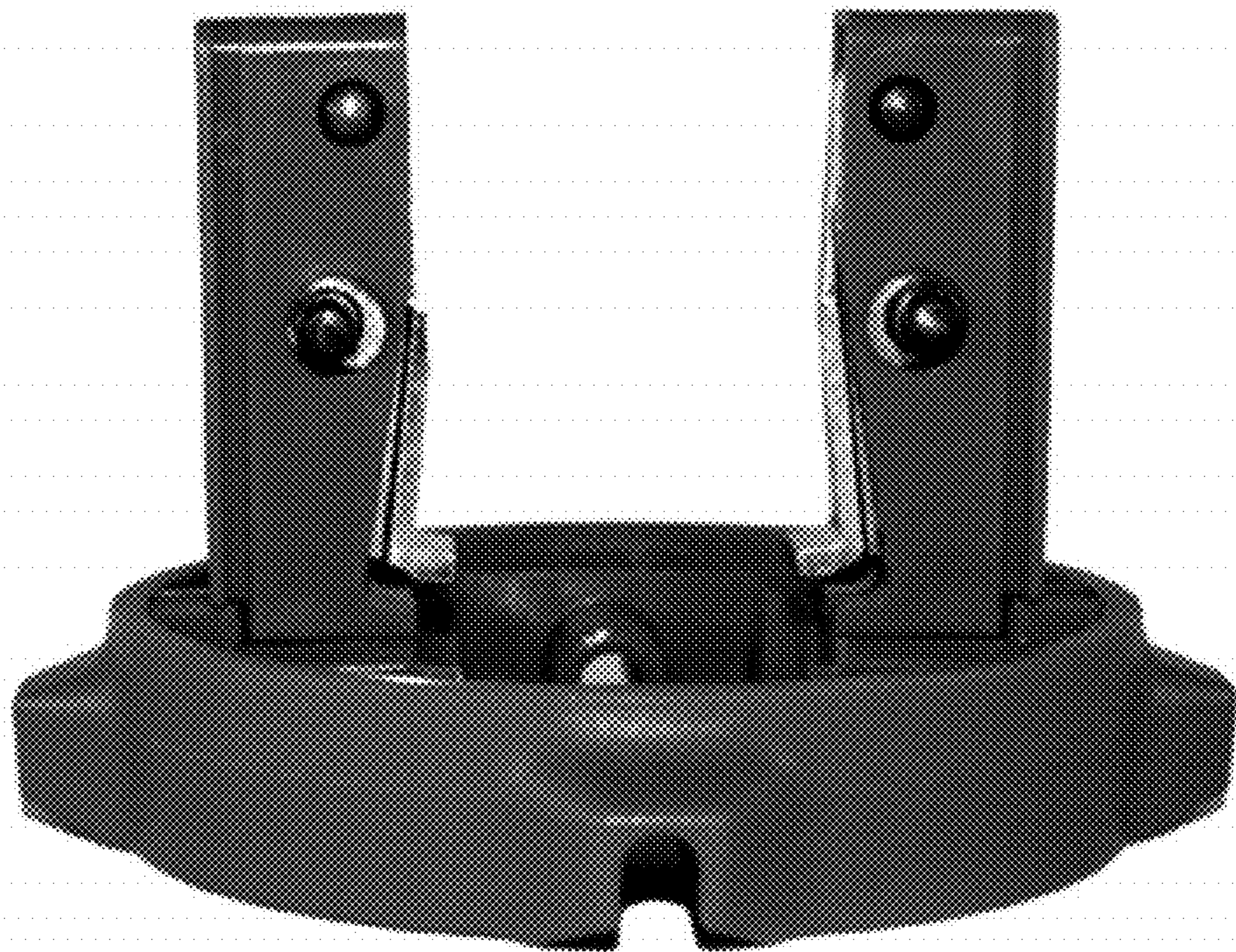




**FIG. 1**



**FIG. 2**



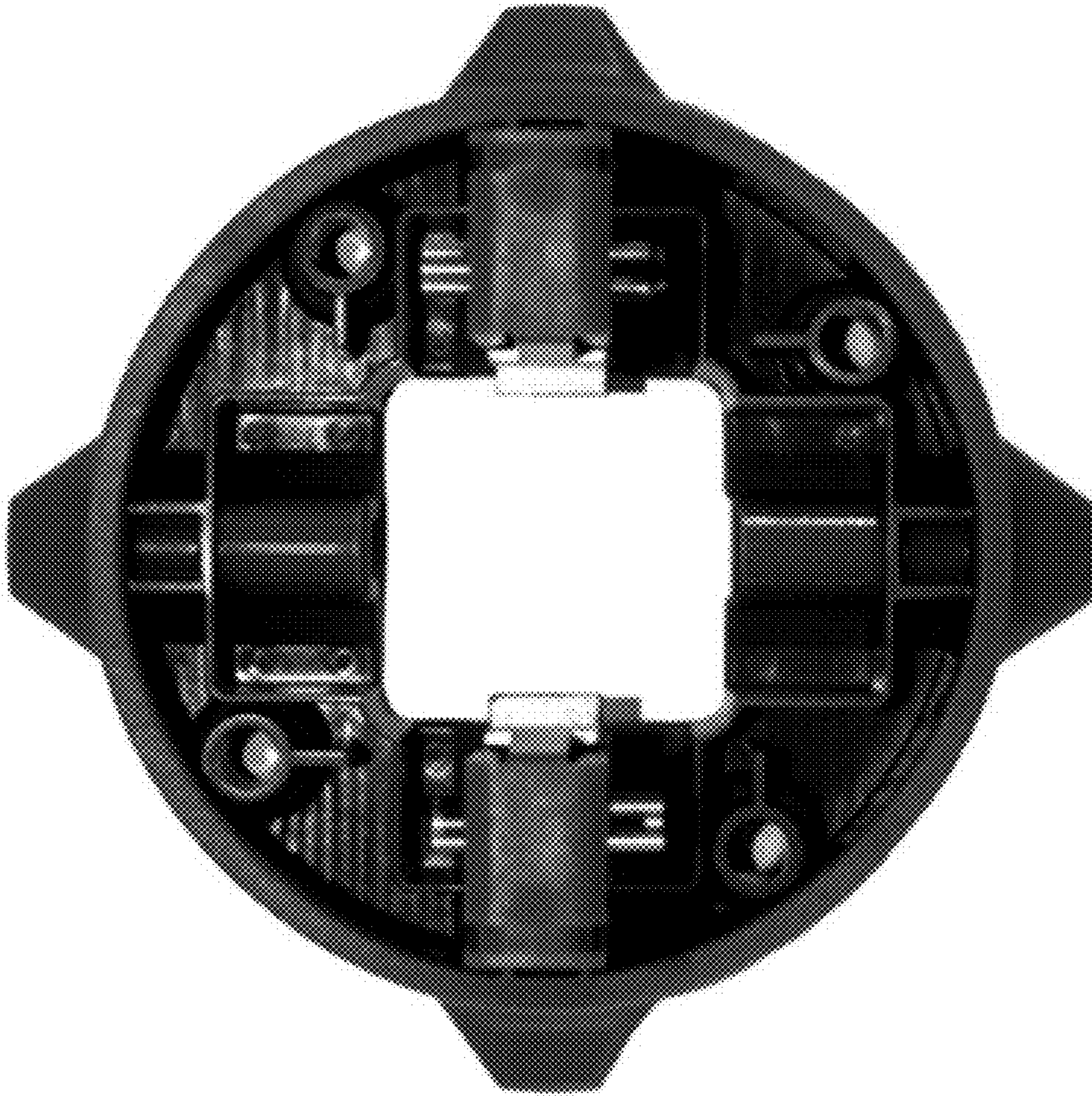
**FIG. 3**



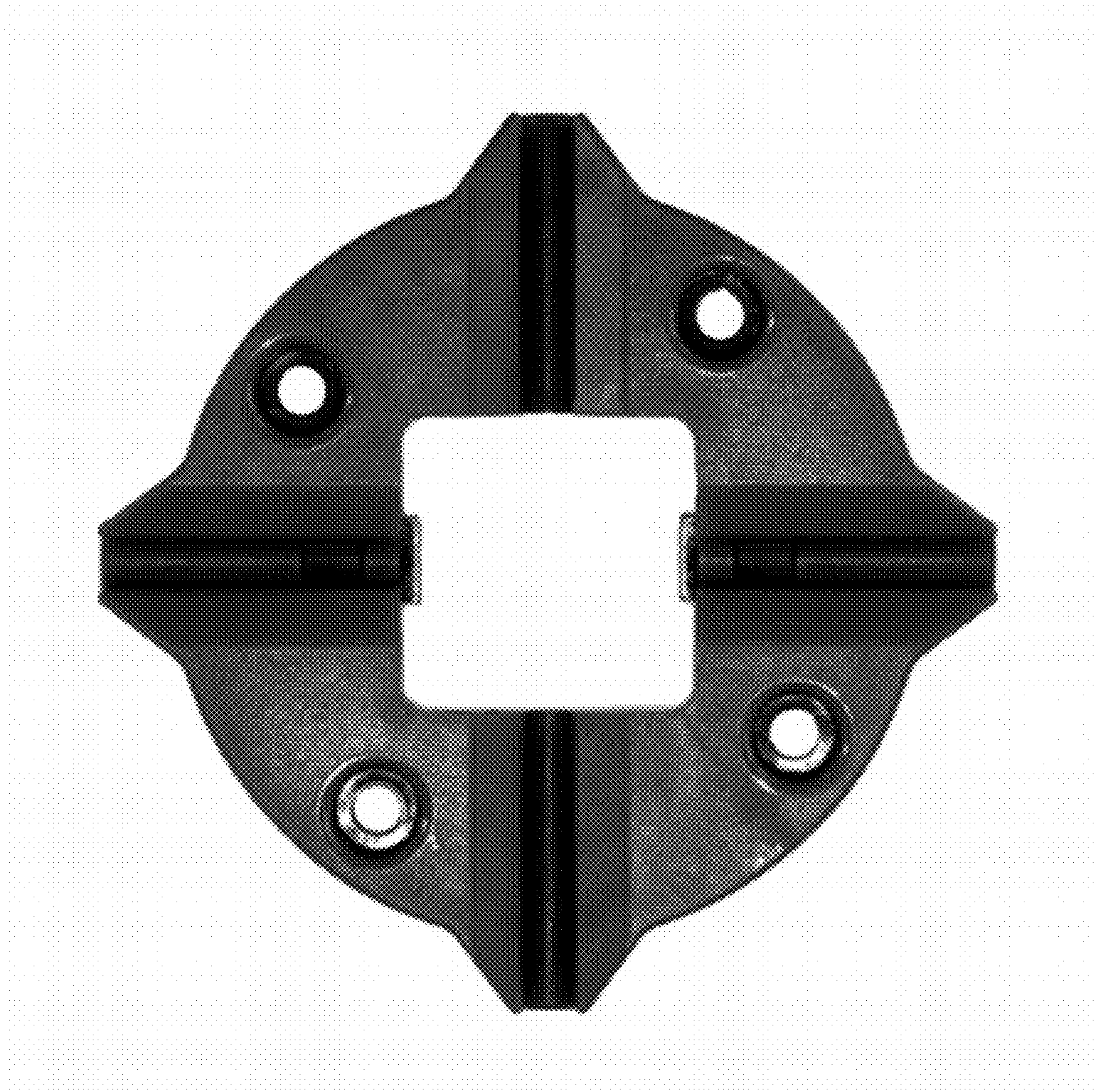
**FIG. 4**



**FIG. 5**

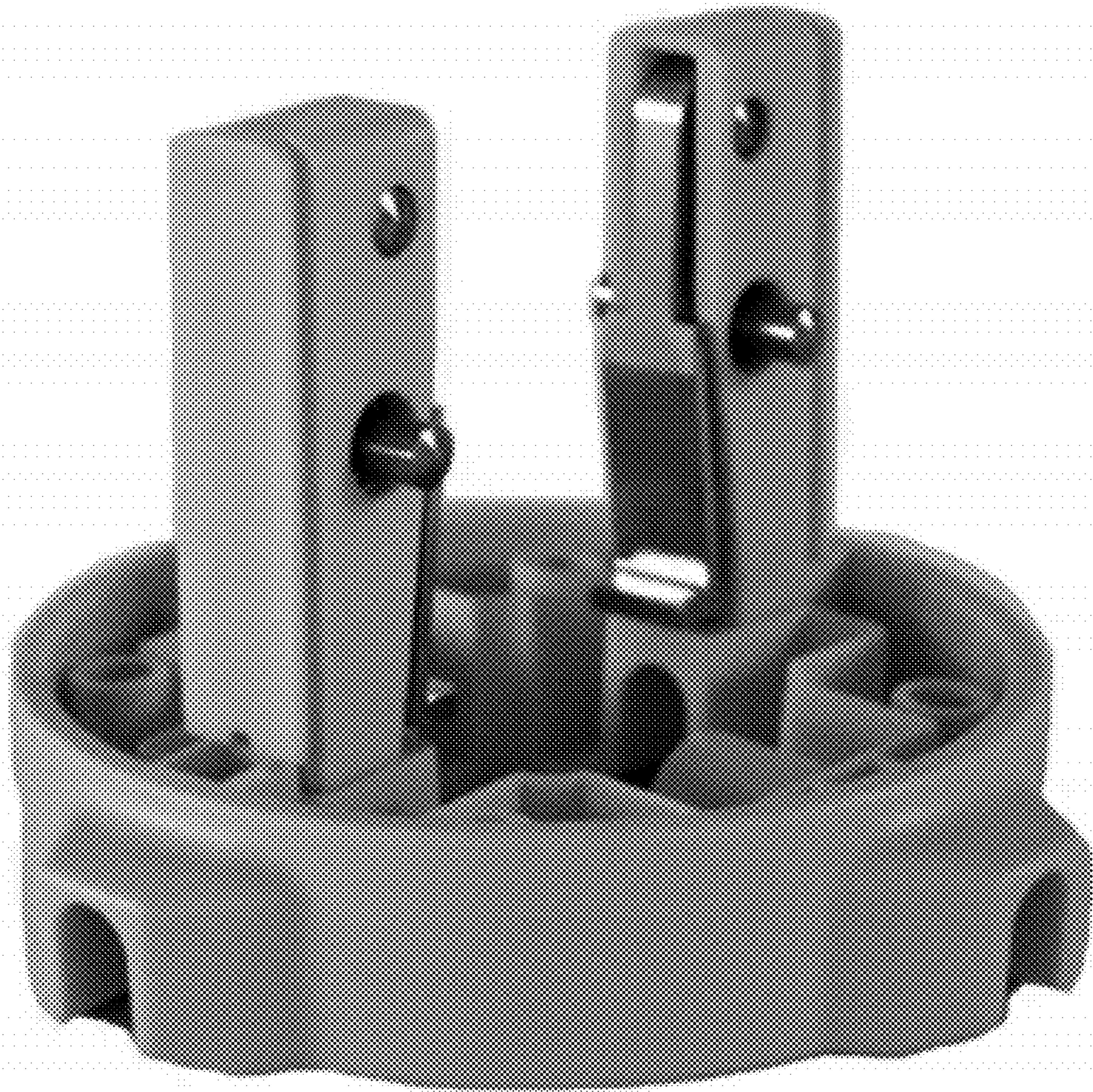


**FIG. 6**

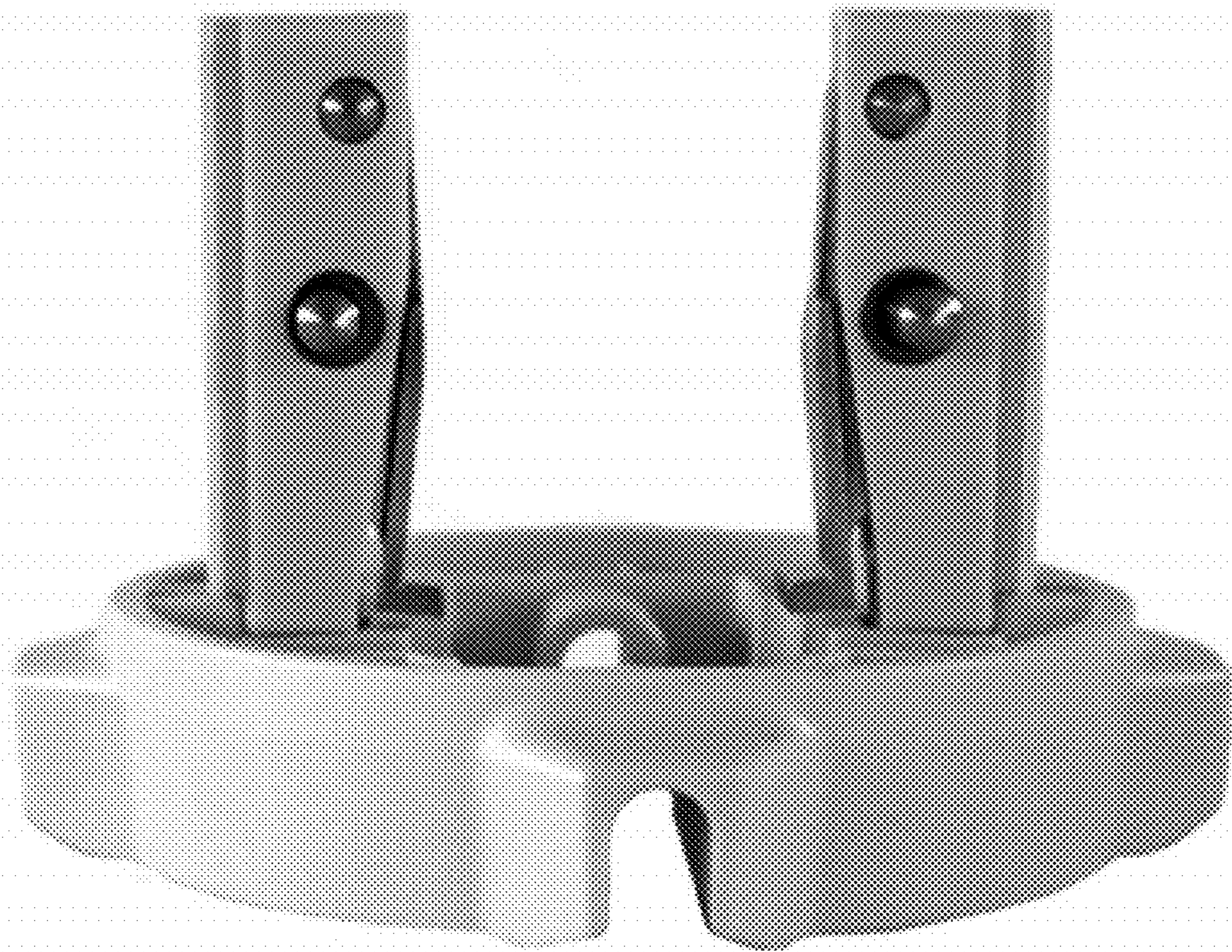


**FIG. 7**





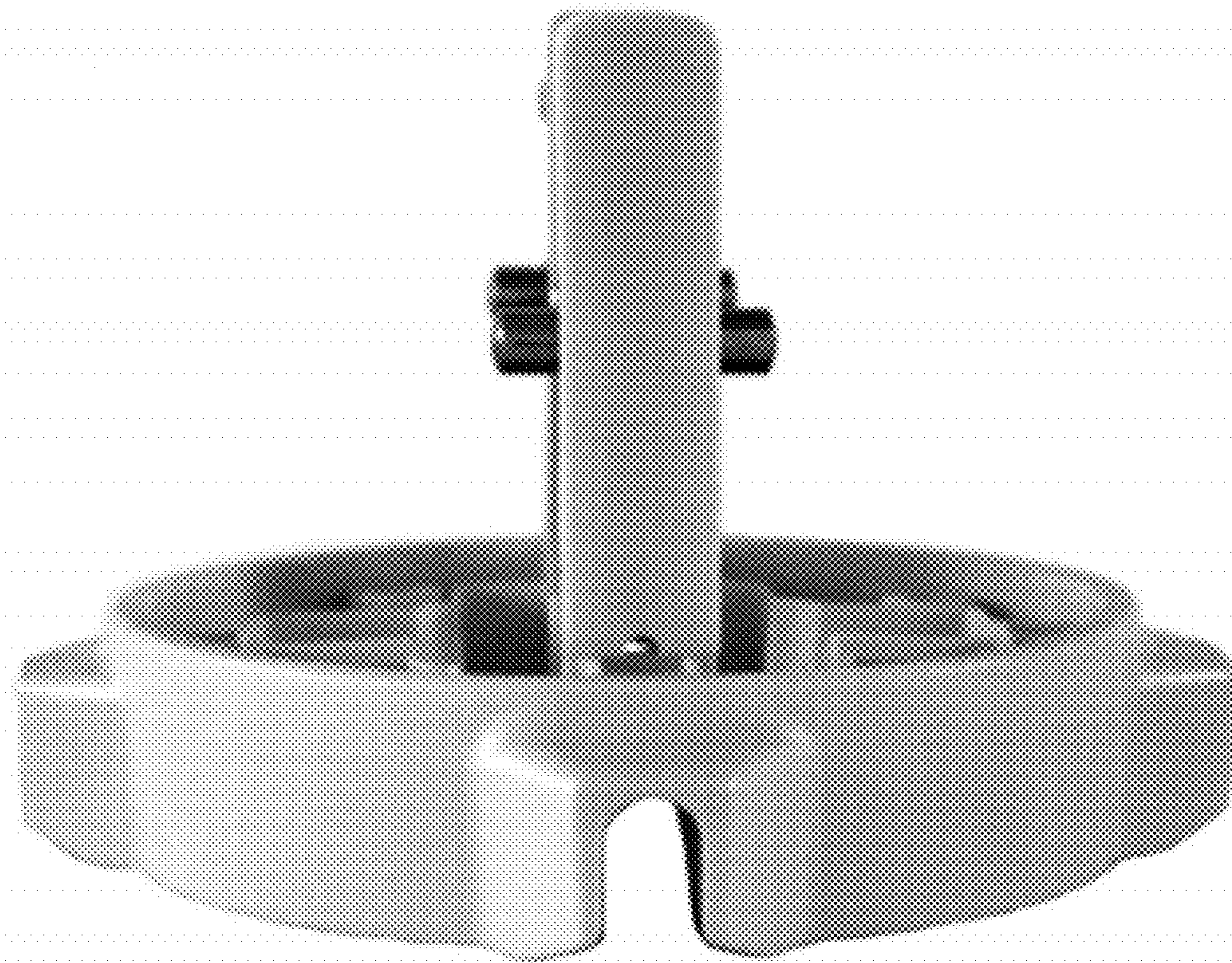
**FIG. 8**



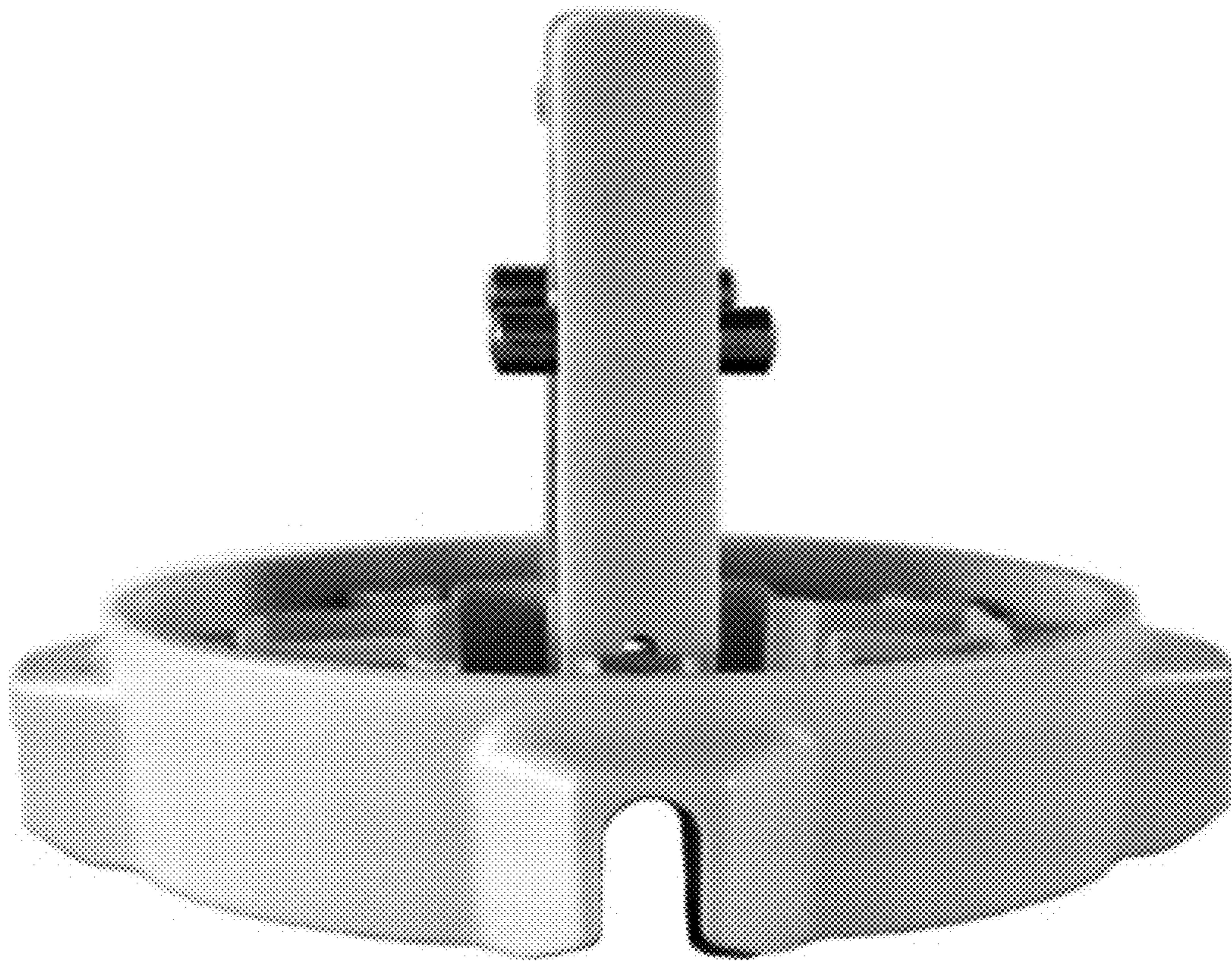
**FIG. 9**



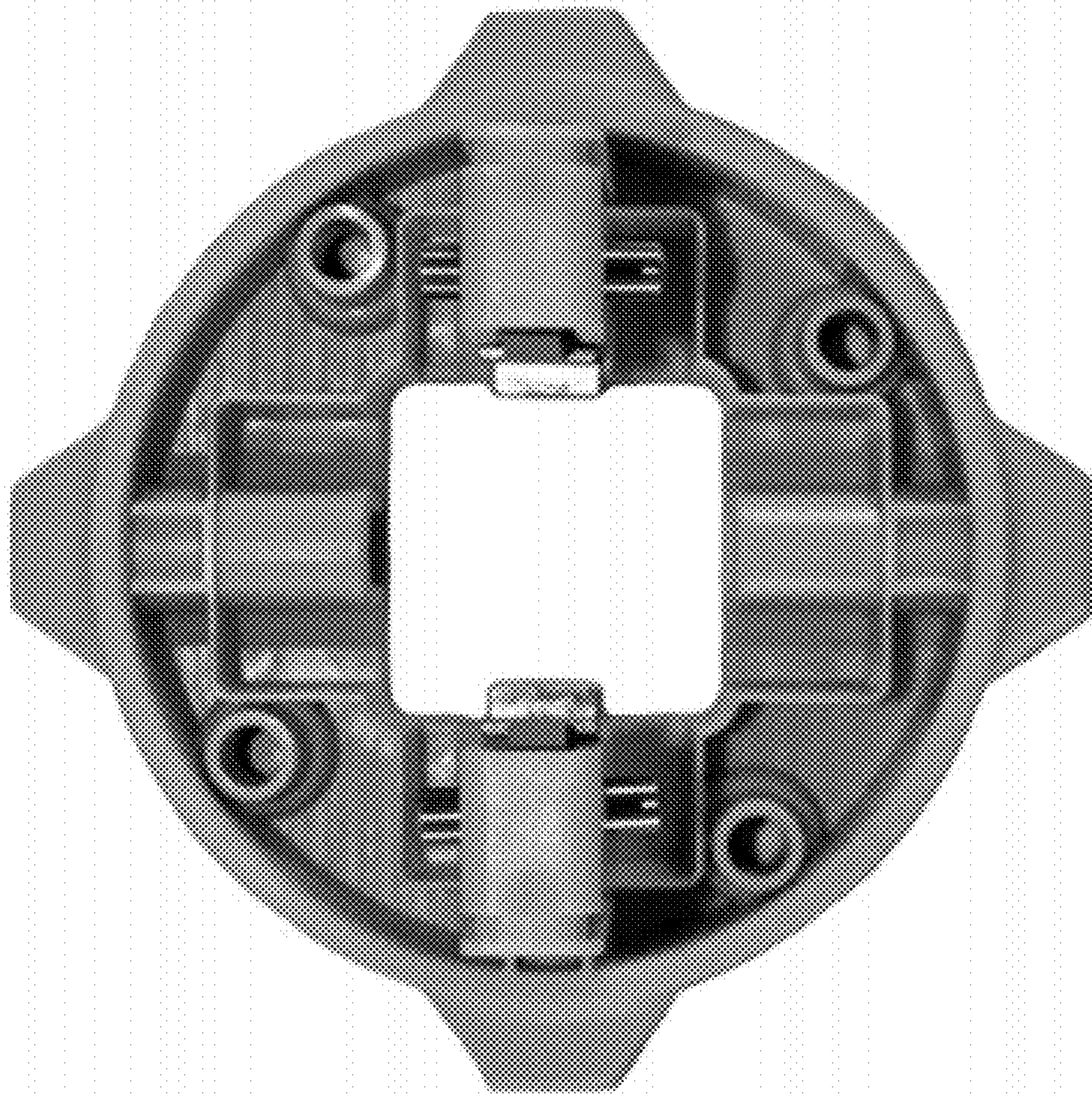
**FIG. 10**



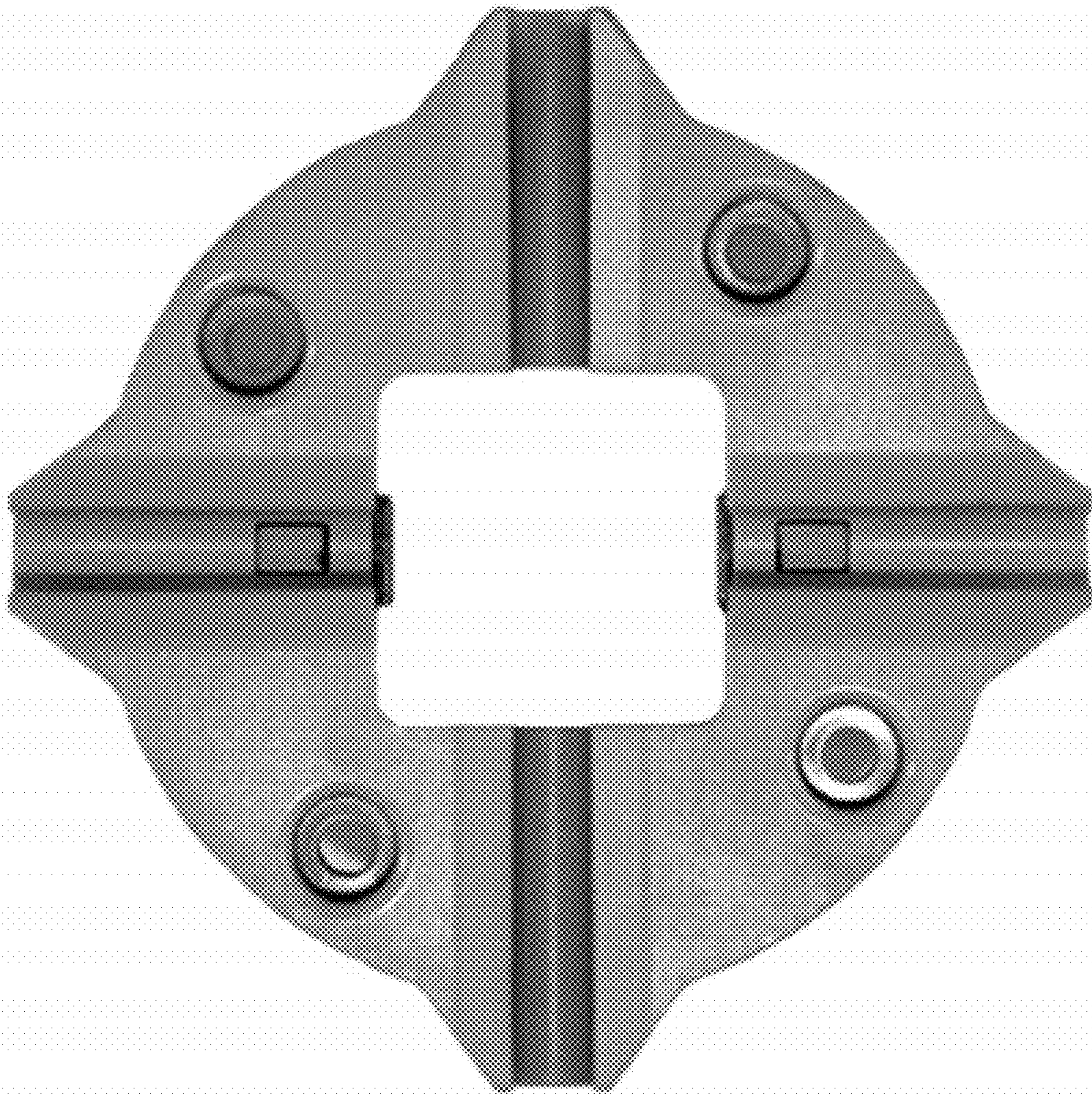
**FIG. 11**



**FIG. 12**



**FIG. 13**



**FIG. 14**