



US00D660669S

(12) **United States Design Patent**
Teraoka

(10) **Patent No.:** **US D660,669 S**

(45) **Date of Patent:** **** May 29, 2012**

(54) **SOLDERING IRON**

(75) Inventor: **Yoshitomo Teraoka**, Osaka (JP)

(73) Assignee: **Hakko Corporation**, Osaka (JP)

(**) Term: **14 Years**

(21) Appl. No.: **29/401,567**

(22) Filed: **Sep. 12, 2011**

(51) **LOC (9) Cl.** **08-05**

(52) **U.S. Cl.** **D8/30**

(58) **Field of Classification Search** D8/14,
D8/29.1–29.2, 30, 107; 219/222, 225, 227,
219/229, 238; D28/12–13, 18, 35; 392/383–385
See application file for complete search history.

(56) **References Cited**

U.S. PATENT DOCUMENTS

4,731,519	A *	3/1988	Dieterle et al.	219/225
D304,151	S *	10/1989	Chapin et al.	D8/30
4,939,340	A *	7/1990	Brill	219/225
D335,804	S *	5/1993	Burgin	D8/30
5,928,536	A *	7/1999	Lee	219/229
D440,991	S *	4/2001	Fujiwara	D15/144.2
D442,447	S *	5/2001	Fujiwara	D8/30
D517,384	S *	3/2006	Ishii et al.	D8/30
D518,351	S *	4/2006	Hay	D8/107
D525,853	S *	8/2006	Hsieh	D8/107
D567,218	S *	4/2008	Viduya et al.	D14/205
D643,013	S *	8/2011	Wahl et al.	D14/203.5
2005/0056631	A1 *	3/2005	Cha	219/222

FOREIGN PATENT DOCUMENTS

JP 3003206 10/1994

OTHER PUBLICATIONS

Hakko Dial-Type Control. Downloaded at http://www.hakkousa.com/AHPDirect/images/FX-601_v2.jpg on Feb. 12, 2012.*

Hakko Corporation, "Soldering Iron Hakko-Mach-I". Retrieved Aug. 24, 2011 from http://www.hakko.com/japan/products/hakko_mach-i.html, 1 page.

Hakko Corporation. "Soldering Iron Hakko 455*456". Retrieved Aug. 24, 2011 from http://www.hakko.com/japan/products/hakko_455.html, 1 page.

Hakko Corporation. "Soldering Iron Hakko 933*934". Retrieved Aug. 24, 2011 from http://www.hakko.com/japan/products/hakko_933.html, 1 page.

Taiyo Electric Ind.Co., Ltd. "Soldering Iron PX-201/401". Retrieved Aug. 24, 2011 from <http://www.goot.co.jp/detail.html>, 1 page.

Japan Bonkote. Co., Ltd. "NLA Soldering Iron SS Series". Retrieved Aug. 24, 2011 from http://www.bonkote.co.jp/products/ss_series.html, 1 page.

(Continued)

Primary Examiner — Philip S Hyder

Assistant Examiner — Roselynn Cody

(74) *Attorney, Agent, or Firm* — Squire Sanders (US) LLP

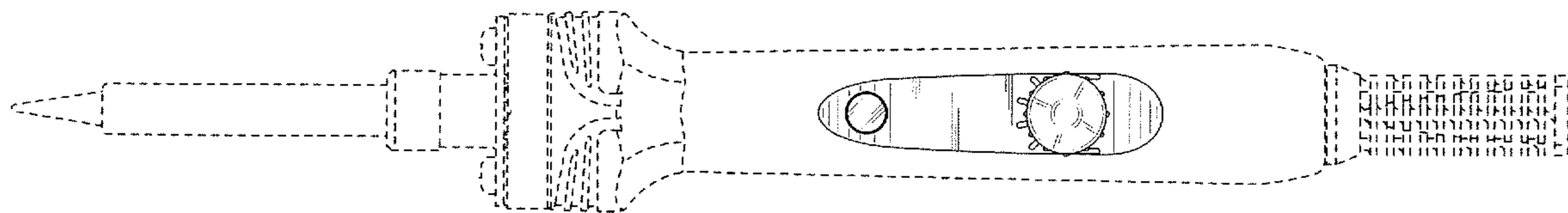
(57) **CLAIM**

The ornamental design for a soldering iron, as shown and described.

DESCRIPTION

FIG. 1 is a perspective view of a soldering iron; FIG. 2 is a front view thereof; FIG. 3 is a right side view thereof; and, FIG. 4 is a top view thereof, the opposite side being a mirror image of the side shown herein. The portion shown by broken lines is for illustrative purposes only and forms no part of the claimed design.

1 Claim, 2 Drawing Sheets



OTHER PUBLICATIONS

Hakko Corporation, "Soldering Iron Hakko-Mach-I". Retrieved Aug. 24, 2011 from http://www.hakko.com/japan/products/hakko_mach-I.html, 1 page.

Hakko Corporation. "Soldering Iron Hakko 455*456". Retrieved Aug. 24, 2011 from http://www.hakko.com/japan/products/hakko_455.html, 1 page.

Hakko Corporation. "Soldering Iron Hakko 933*934". Retrieved Aug. 24, 2011 from http://www.hakko.com/japan/products/hakko_933.html, 1 page.

Taiyo Electric Ind.Co., LTD. "Soldering Iron PX-201/401". Retrieved Aug. 24, 2011 from <http://www.goot.co.jp/detail.html>, 1 page.

Japan Bonkote. Co., LTD. "NLA Soldering Iron SS Series". Retrieved Aug. 24, 2011 from http://www.bonkote.co.jp/products/ss_series.html, 1 page.

* cited by examiner

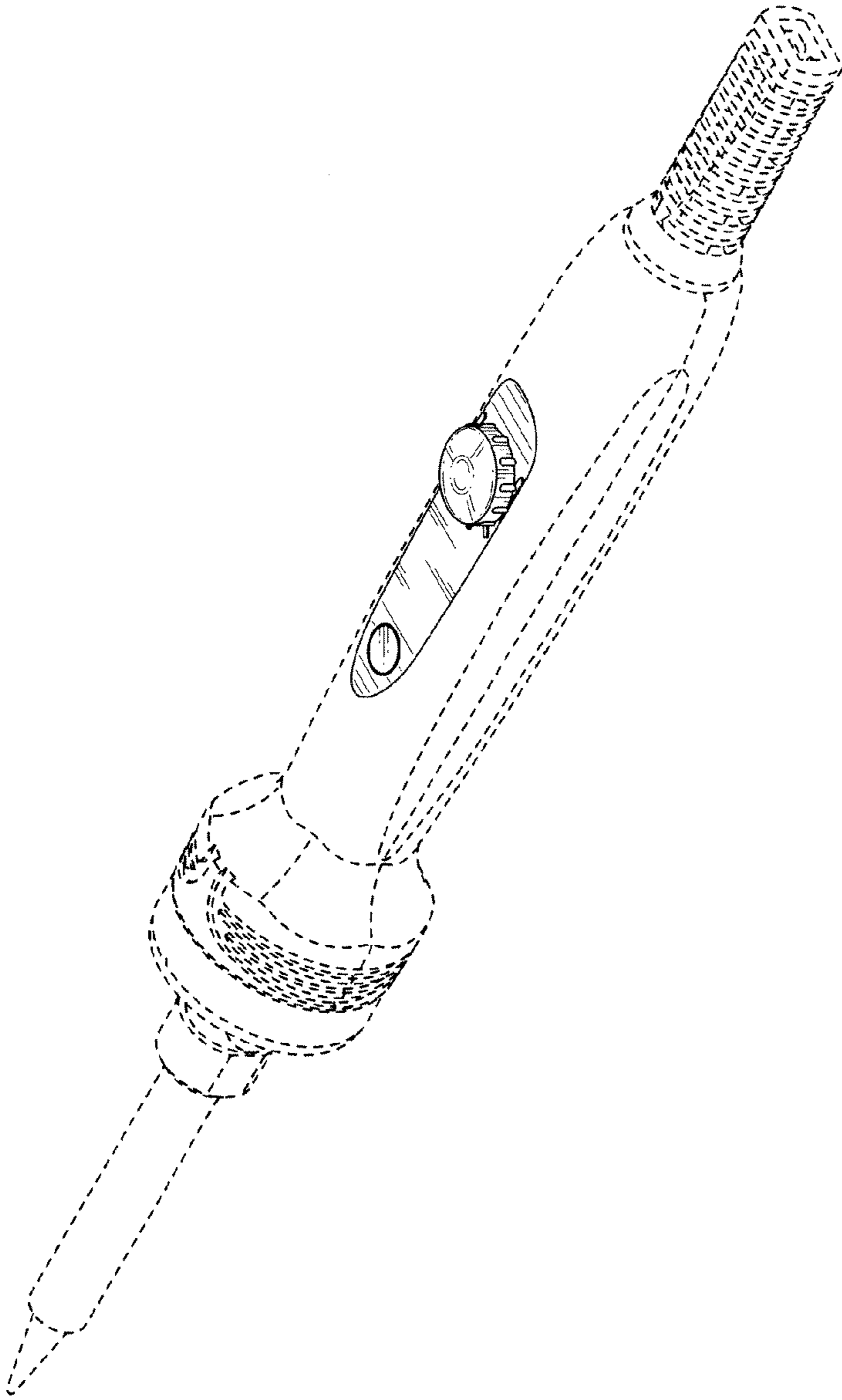


FIG.1

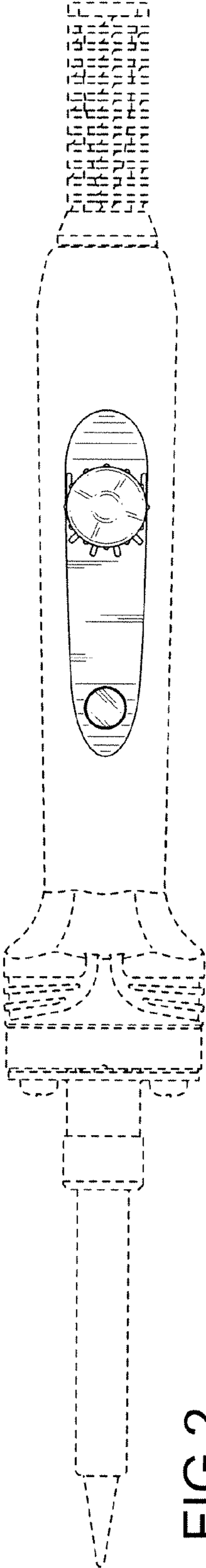


FIG.2

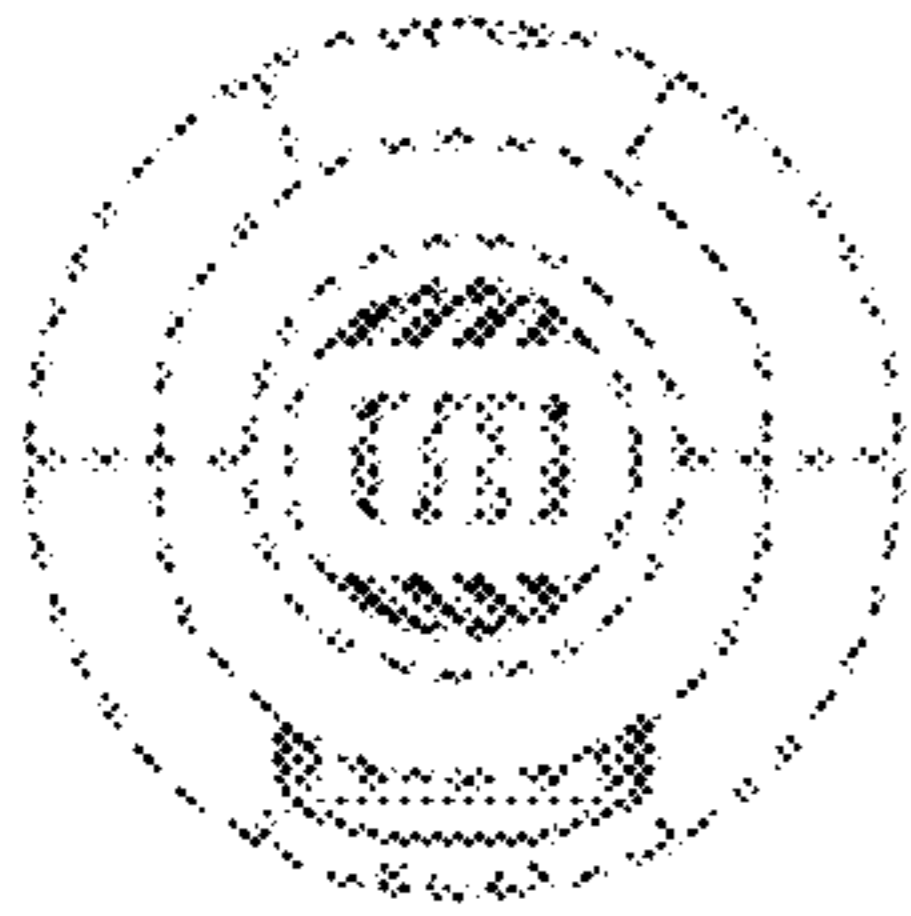


FIG. 3

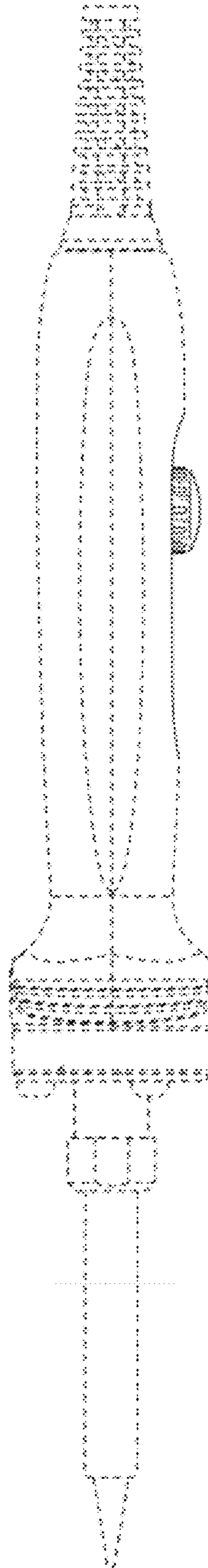


FIG. 4