



US00D660665S

(12) **United States Design Patent**  
**Hsu**

(10) **Patent No.:** **US D660,665 S**

(45) **Date of Patent:** **\*\* May 29, 2012**

(54) **WRENCH**

(76) Inventor: **Chang Hsueh-O Hsu**, Taichung (TW)

(\*\*) Term: **14 Years**

(21) Appl. No.: **29/379,141**

(22) Filed: **Nov. 15, 2010**

(51) **LOC (9) Cl.** ..... **08-05**

(52) **U.S. Cl.** ..... **D8/25; D8/29**

(58) **Field of Classification Search** ..... D8/21-29,  
D8/40, 42, 98; 81/58.3-59.16, 177.1, 177.85,  
81/121.1, 124.3, 165-170, 110.1, 176.2,  
81/124.6, 176.1, 176.15, 60, 62, 177.2; 16/110.1;  
D15/144.1; 219/75, 227, 229, 121.16, 121.18;  
446/120, 126, 122, 85, 102; 472/137  
See application file for complete search history.

(56) **References Cited**

**U.S. PATENT DOCUMENTS**

1,915,835	A *	6/1933	Pajeau	.....	446/103
1,916,634	A *	7/1933	Pajeau	.....	446/103
3,822,499	A *	7/1974	De Vos	.....	446/121
D281,182	S *	10/1985	Kato et al.	.....	D21/488
5,549,408	A *	8/1996	Lo	.....	403/218
6,056,256	A *	5/2000	Ponce	.....	248/346.01

6,138,531	A *	10/2000	Lamons	.....	D8/25
6,264,522	B1 *	7/2001	Dickson	.....	446/120
D635,419	S *	4/2011	Chen	.....	D8/25

\* cited by examiner

*Primary Examiner* — Raphael Barkai

*Assistant Examiner* — Randall Gholson

(74) *Attorney, Agent, or Firm* — Muncy, Geissler, Olds & Lowe, PLLC

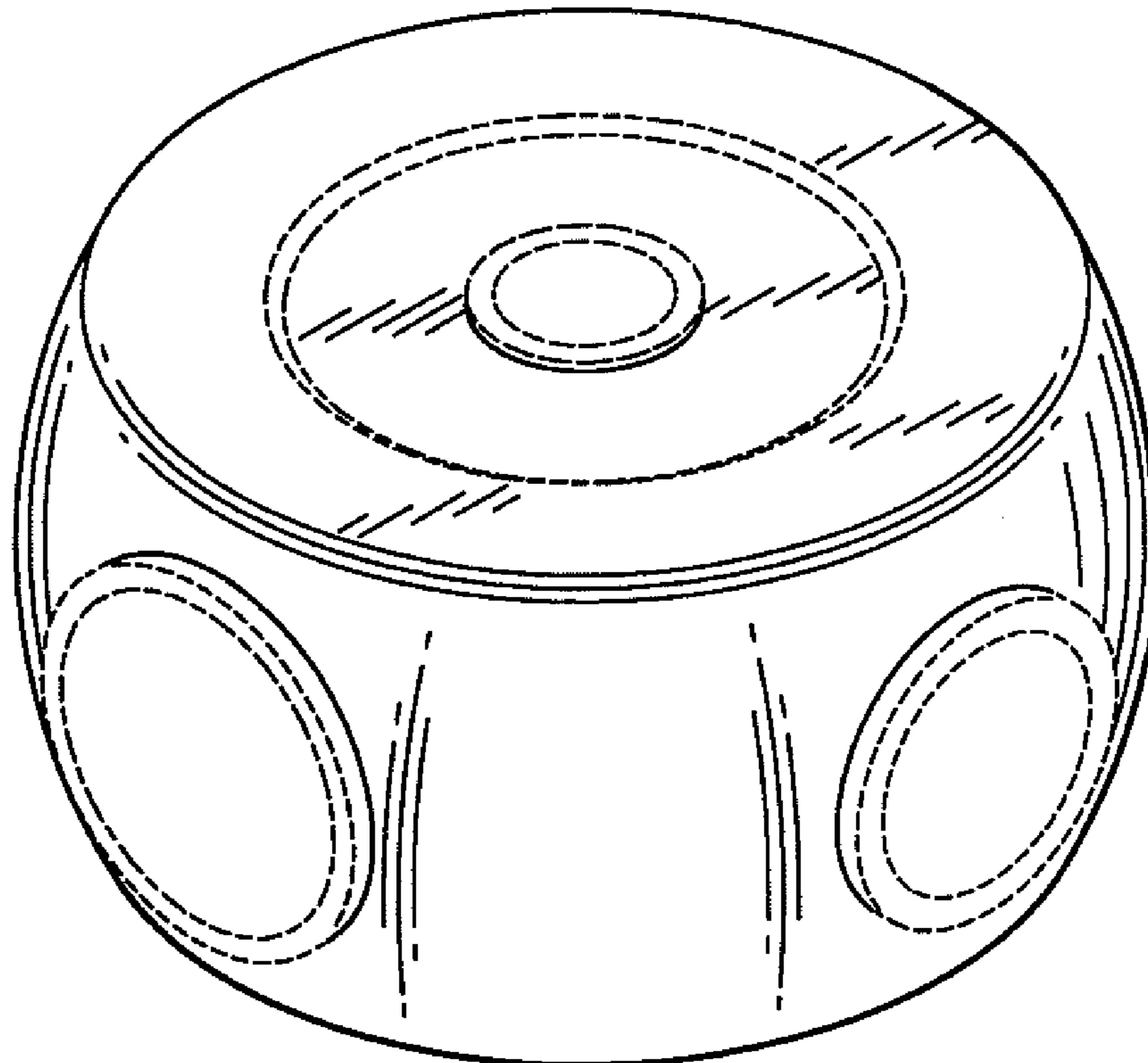
(57) **CLAIM**

I claim the ornamental design for a wrench, as shown and described.

**DESCRIPTION**

FIG. 1 is a perspective view of a wrench showing my new design;  
FIG. 2 is a front view thereof;  
FIG. 3 is a rear view thereof;  
FIG. 4 is a left view thereof;  
FIG. 5 is a right view thereof;  
FIG. 6 is a top plan view thereof; and,  
FIG. 7 is a bottom plan view thereof.  
The recesses, flanges, and holes in the above figures are shown in broken lines for illustrative purposes only and form no part of the claimed design.

**1 Claim, 4 Drawing Sheets**



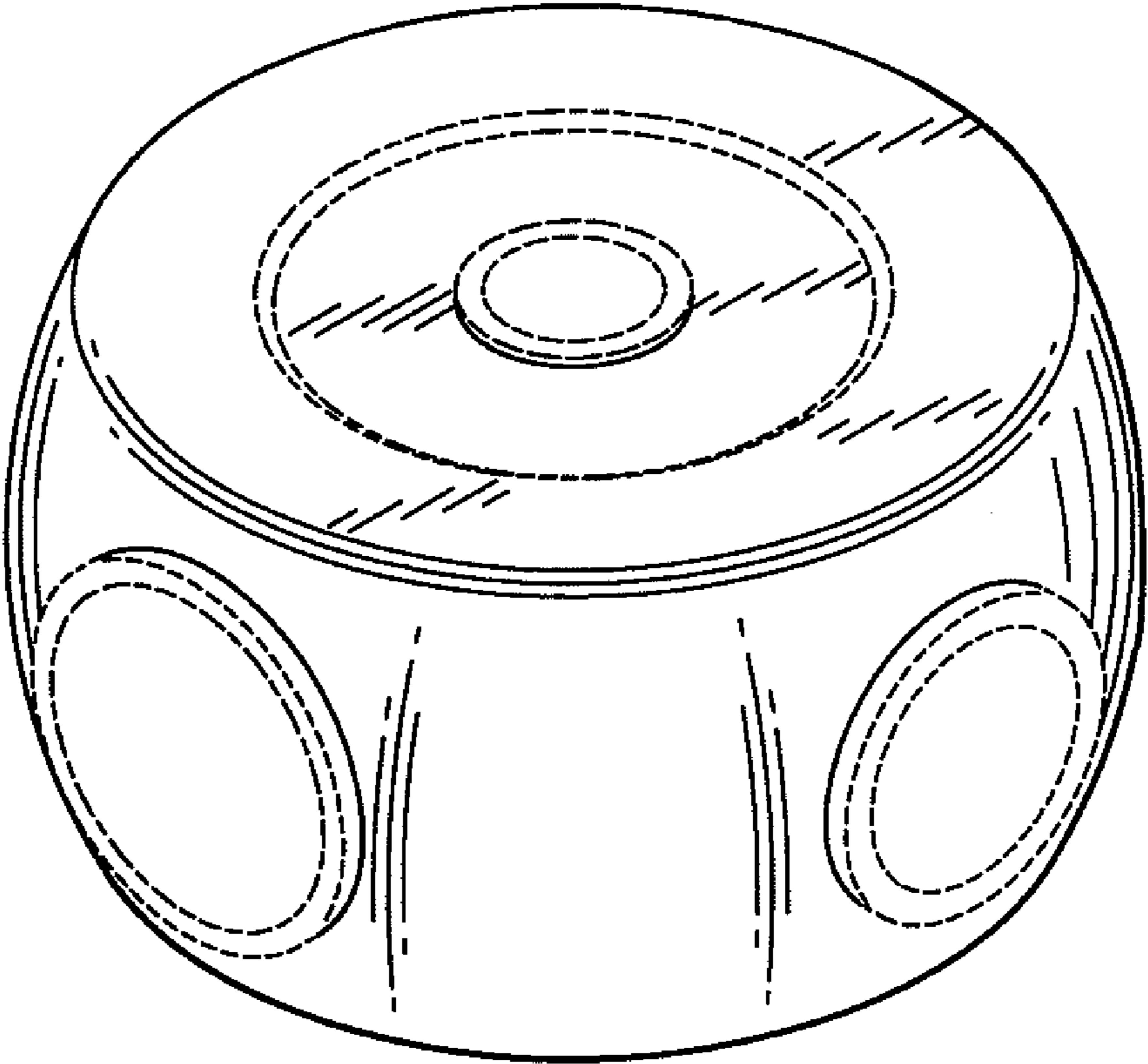


FIG. 1

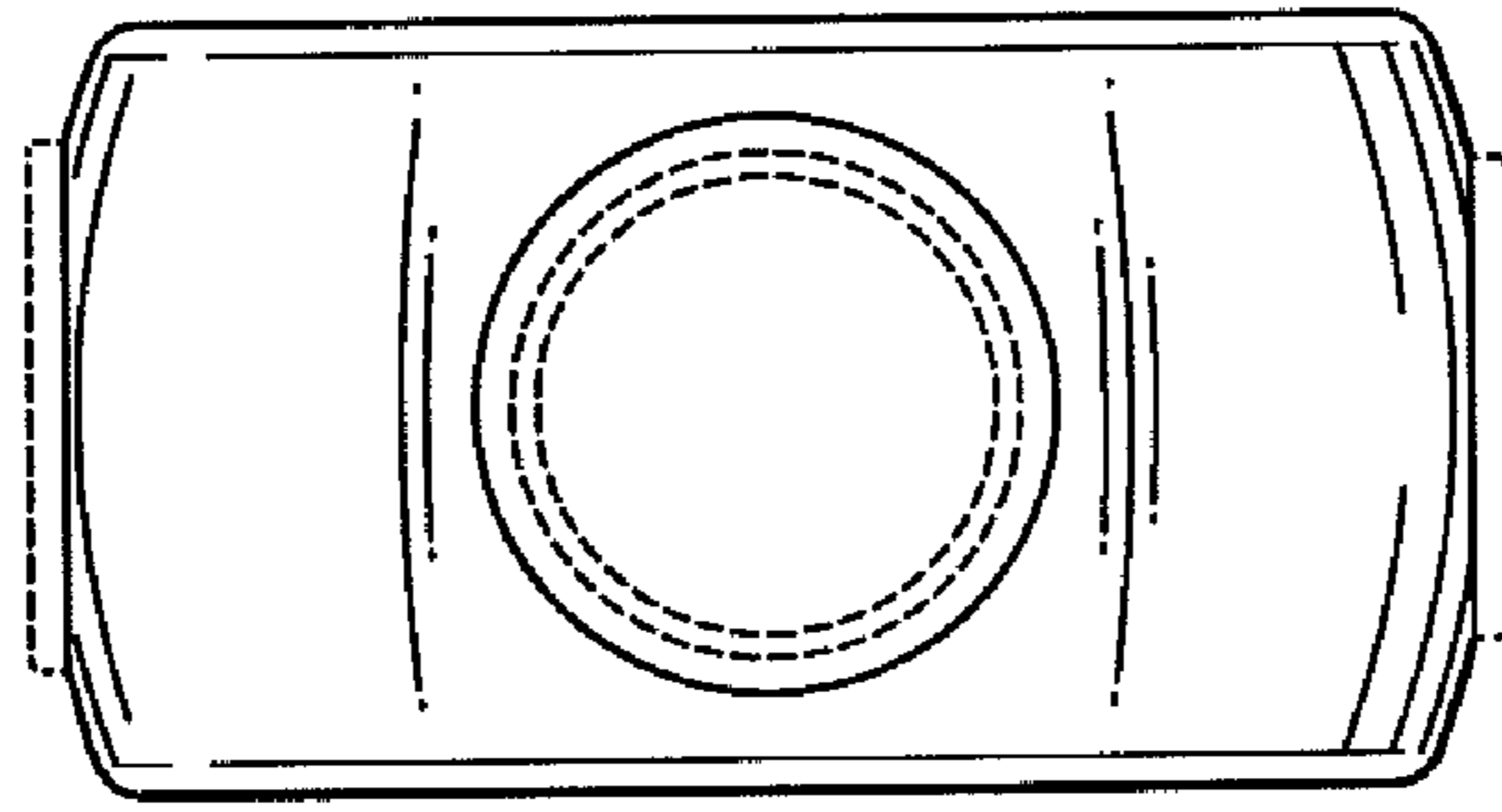


FIG. 2

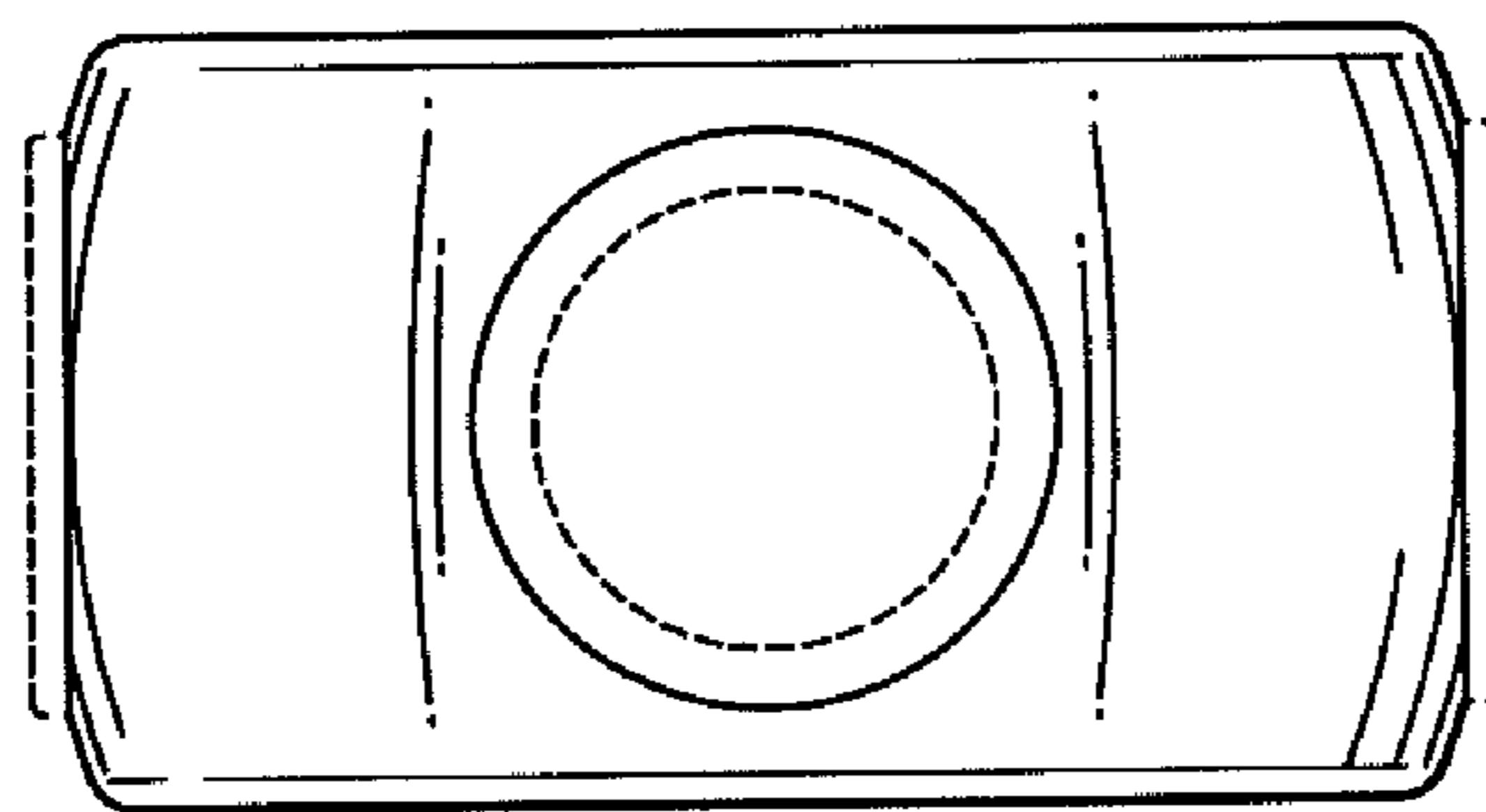


FIG. 3

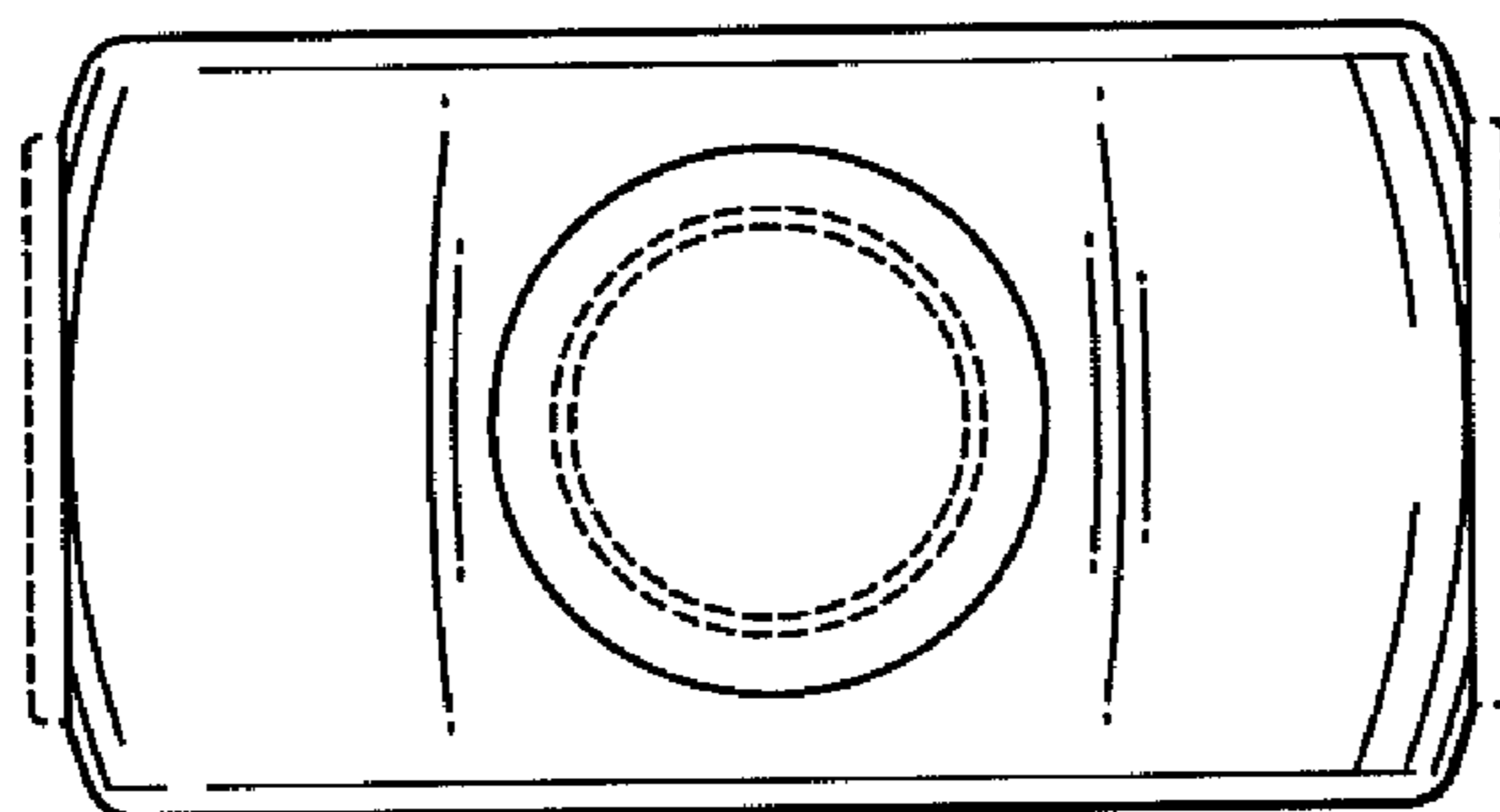


FIG. 4

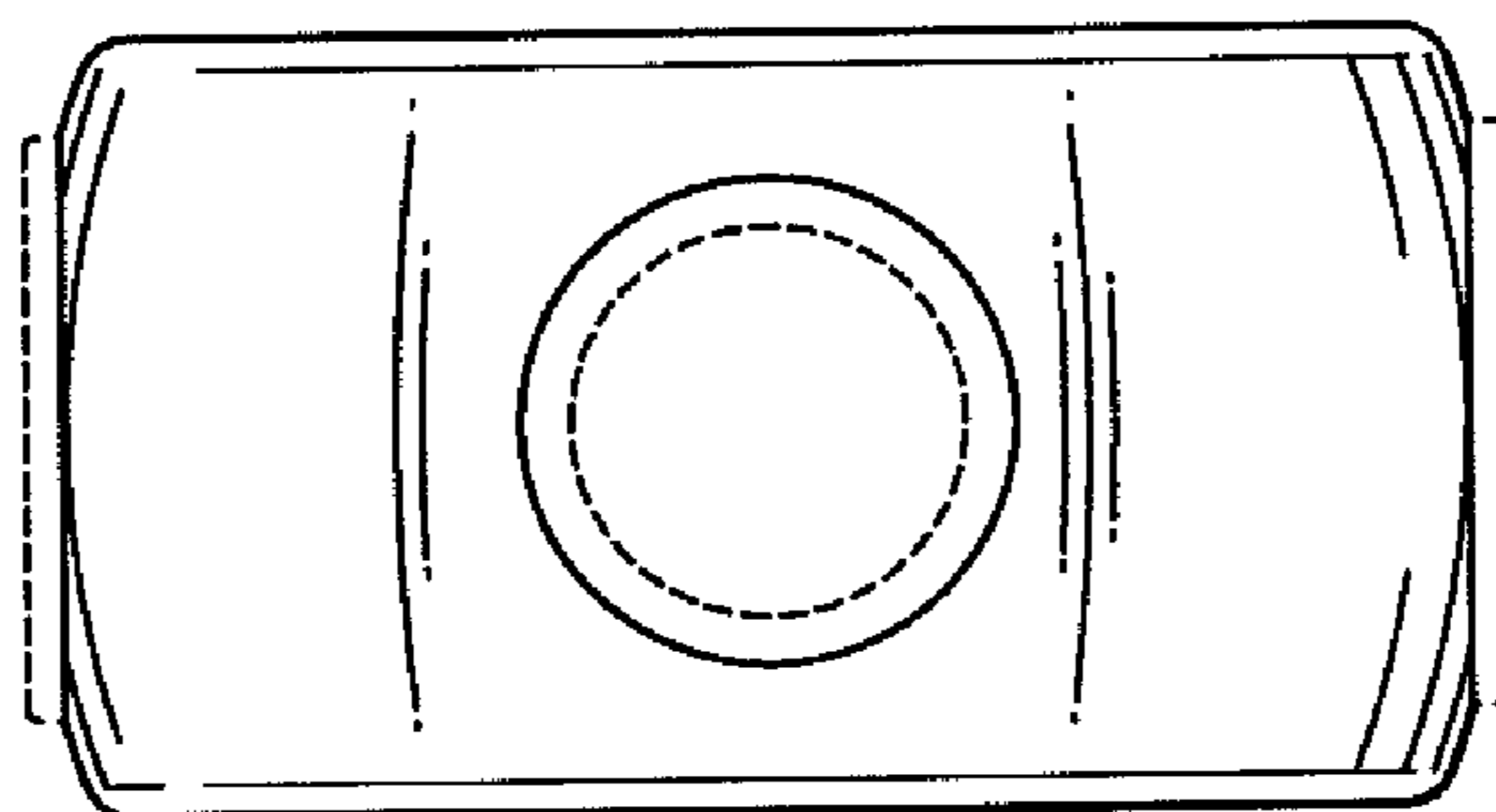


FIG. 5

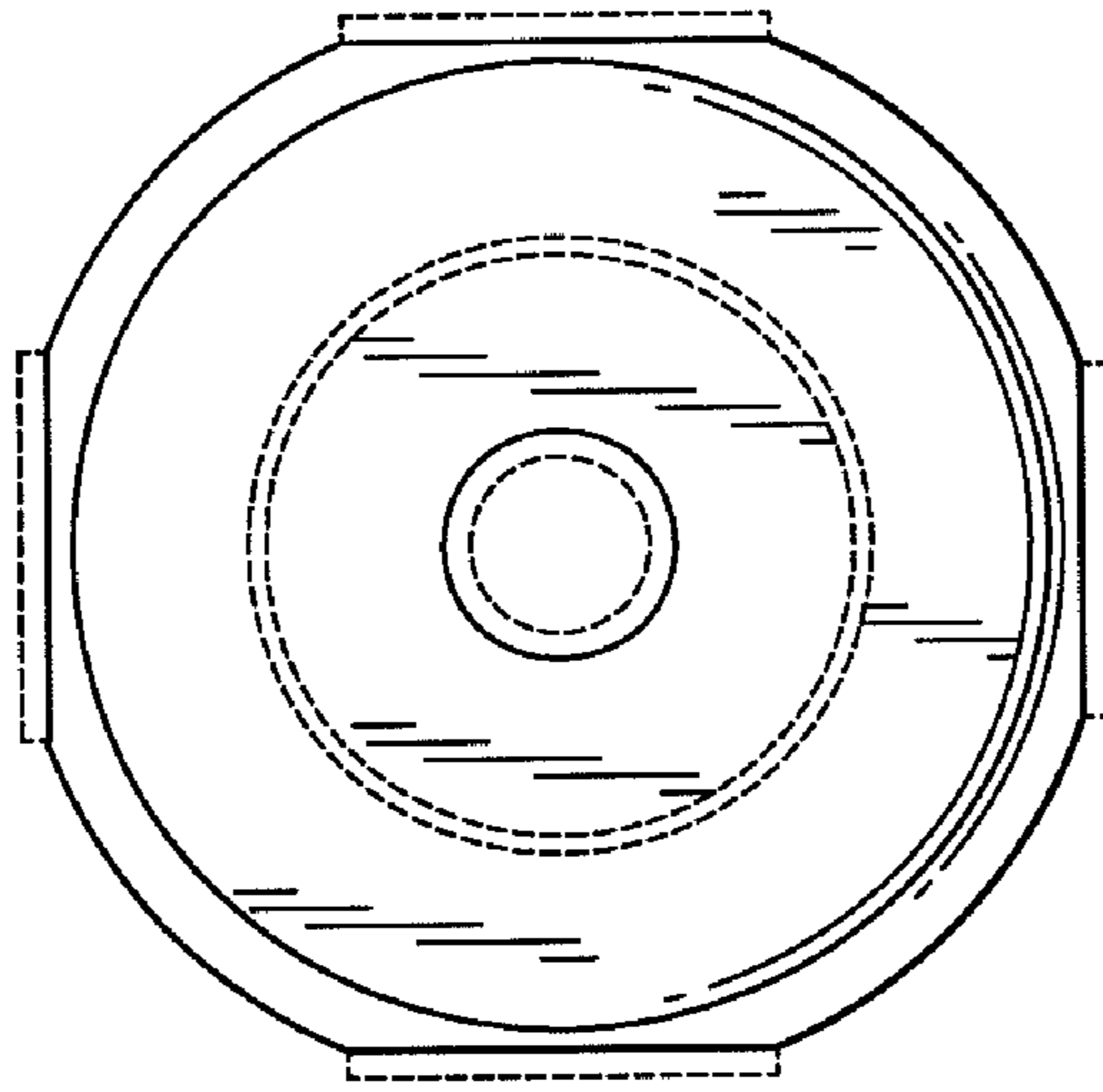


FIG. 6

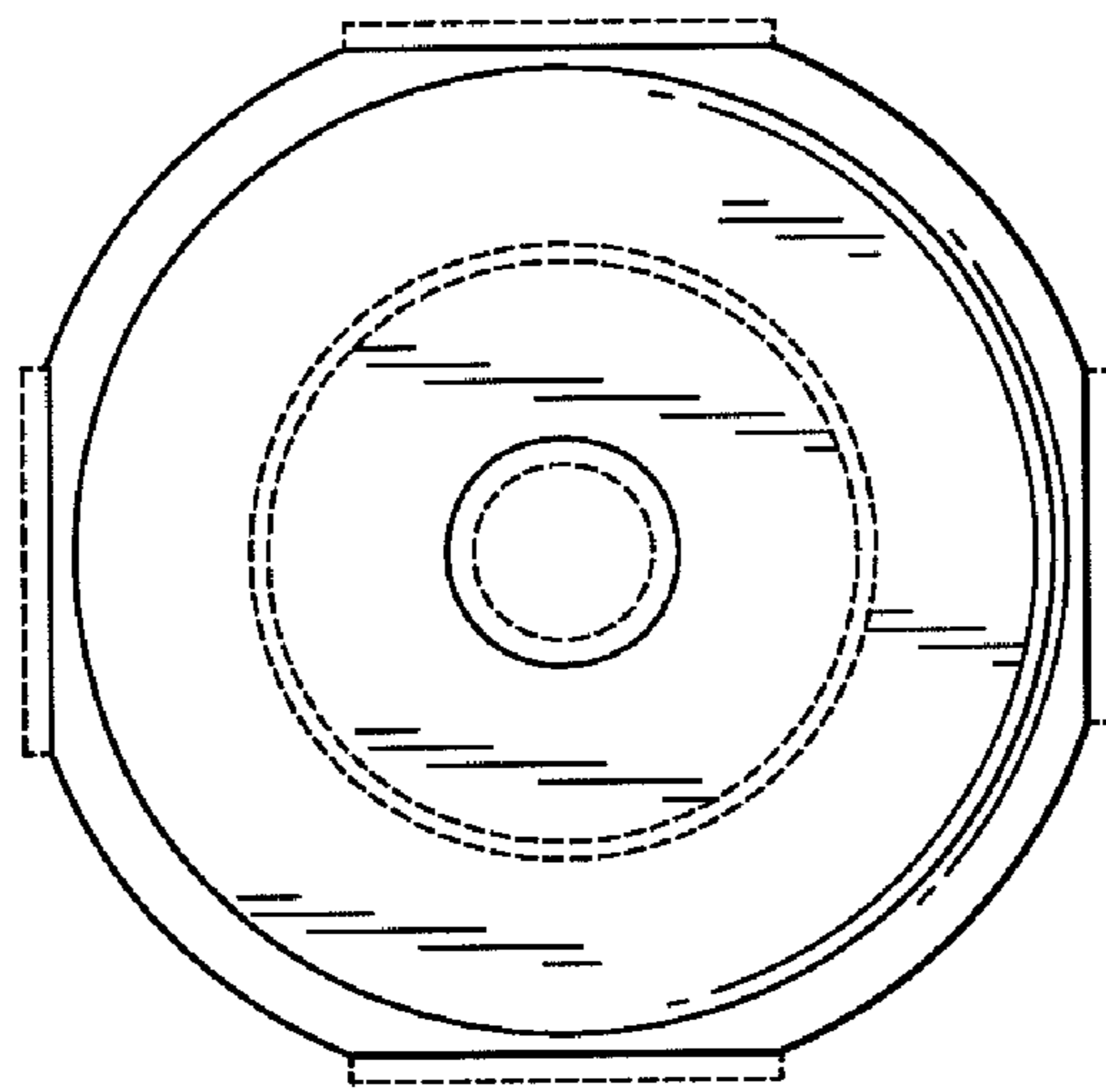


FIG. 7