



US00D660664S

(12) **United States Design Patent**
Hsu

(10) **Patent No.:** **US D660,664 S**

(45) **Date of Patent:** **** May 29, 2012**

(54) **SOCKET**

(76) Inventor: **Chang Hsueh-O Hsu**, Taichung (TW)

(**) Term: **14 Years**

(21) Appl. No.: **29/363,755**

(22) Filed: **Jun. 14, 2010**

(51) **LOC (9) Cl.** **08-05**

(52) **U.S. Cl.** **D8/25; D8/29**

(58) **Field of Classification Search** D8/21-29,
D8/40, 42, 98; 81/58.3-59.16, 177.1, 177.85,
81/121.1, 124.3, 165-170, 110.1, 176.2,
81/124.6, 176.1, 176.15, 60, 62, 177.2; 16/110.1;
D15/144.1; 219/75, 227, 229, 121.16, 121.18;
446/120, 126, 122, 85, 102; 472/137
See application file for complete search history.

(56) **References Cited**

U.S. PATENT DOCUMENTS

2,709,318	A *	5/1955	Benjamin	446/103
3,286,391	A *	11/1966	Mengeringhausen	446/120
4,008,526	A *	2/1977	Swett et al.	434/259
4,238,905	A *	12/1980	MacGraw, II	446/92
4,640,572	A *	2/1987	Conlon	439/892
4,905,443	A *	3/1990	Sutcliffe et al.	52/655.2
5,318,470	A *	6/1994	Denny	446/126
5,474,025	A *	12/1995	Lee	119/464
5,487,691	A *	1/1996	Chiu	446/126
5,897,417	A *	4/1999	Grey	446/125
5,947,741	A *	9/1999	Villarreal	434/171
6,264,522	B1 *	7/2001	Dickson	446/120
6,422,909	B2 *	7/2002	Clever et al.	446/108
D501,034	S *	1/2005	Rom	D21/478
7,318,303	B1 *	1/2008	Kling	52/648.1
D563,486	S *	3/2008	Slater et al.	D21/498
D582,998	S *	12/2008	Chernick et al.	D21/707
7,954,297	B1 *	6/2011	Stearns	52/655.2
D650,874	S *	12/2011	Williams	D21/713
8,087,970	B2 *	1/2012	Sambenedetto	446/102

2004/0194411 A1* 10/2004 Olsson 52/633
2007/0026759 A1* 2/2007 Flodin et al. 446/118
2011/0247464 A1* 10/2011 Hsu 81/124.4

* cited by examiner

Primary Examiner — Raphael Barkai

Assistant Examiner — Randall Gholson

(74) *Attorney, Agent, or Firm* — Muncy, Geissler, Olds & Lowe, PLLC

(57) **CLAIM**

I claim the ornamental design for a socket, as shown and described.

DESCRIPTION

FIG. 1 is a perspective view of a socket showing my new design;

FIG. 2 is a front view thereof;

FIG. 3 is a rear view thereof;

FIG. 4 is a left view thereof;

FIG. 5 is a right view thereof;

FIG. 6 is a top plan view thereof;

FIG. 7 is a bottom plan view thereof;

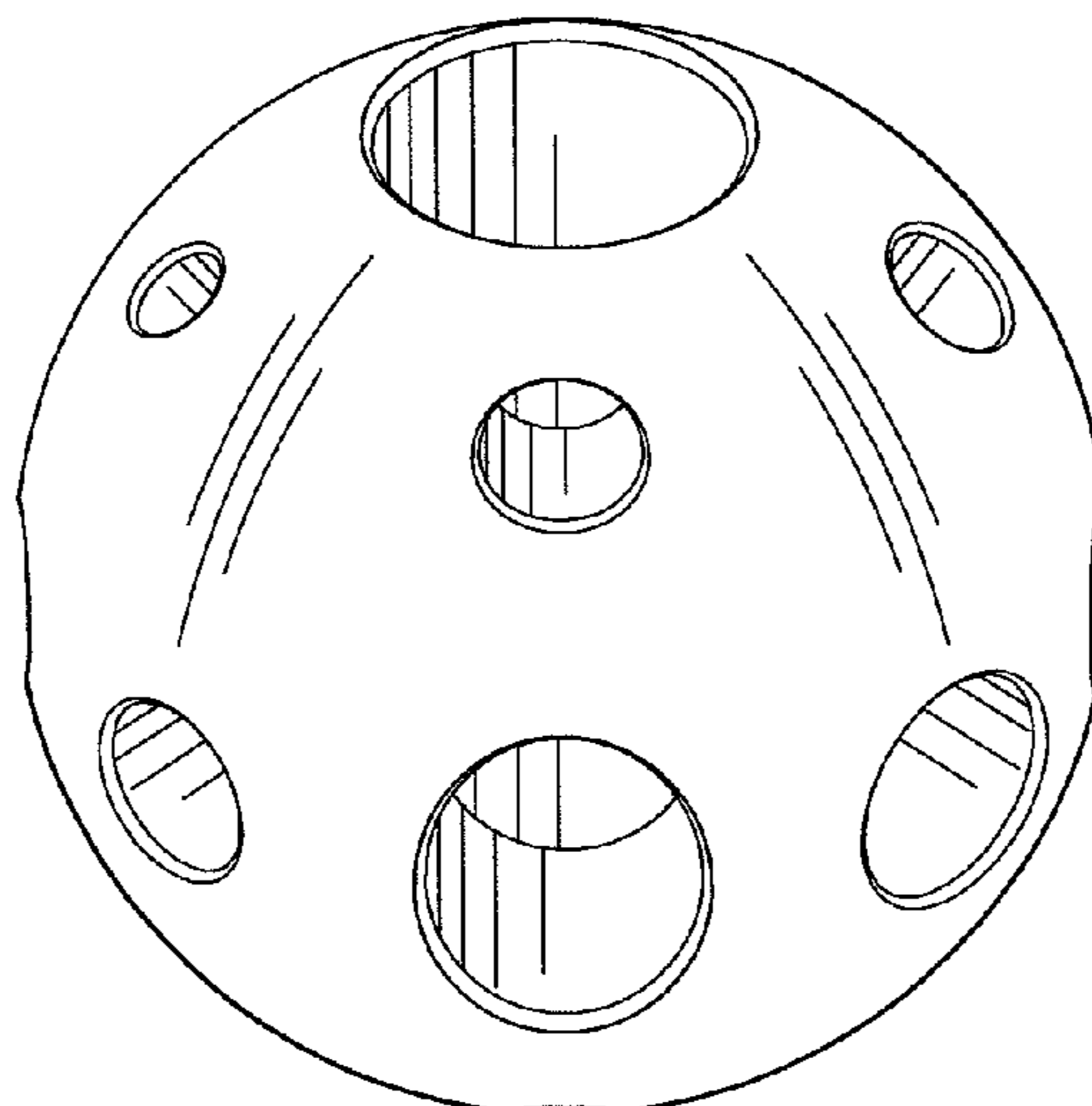
FIG. 8 is a second embodiment, perspective view of my design for a socket, the remaining views being the same as shown in FIGS. 2-7 except for the unclaimed internal portions of the holes; and,

FIG. 9 is a third embodiment, perspective view of my design for a socket, the remaining views being the same as shown in FIGS. 2-7 except for the unclaimed internal portions of the holes.

The depth of the two, center lower holes can be seen in the perspective view of FIGS. 1, 8 and 9 and all of the remaining holes of each respective embodiment have a same depth.

The internal portions of the holes in FIGS. 8 and 9 are shown in broken lines for illustrative purposes only and form no part of the claimed design.

1 Claim, 6 Drawing Sheets



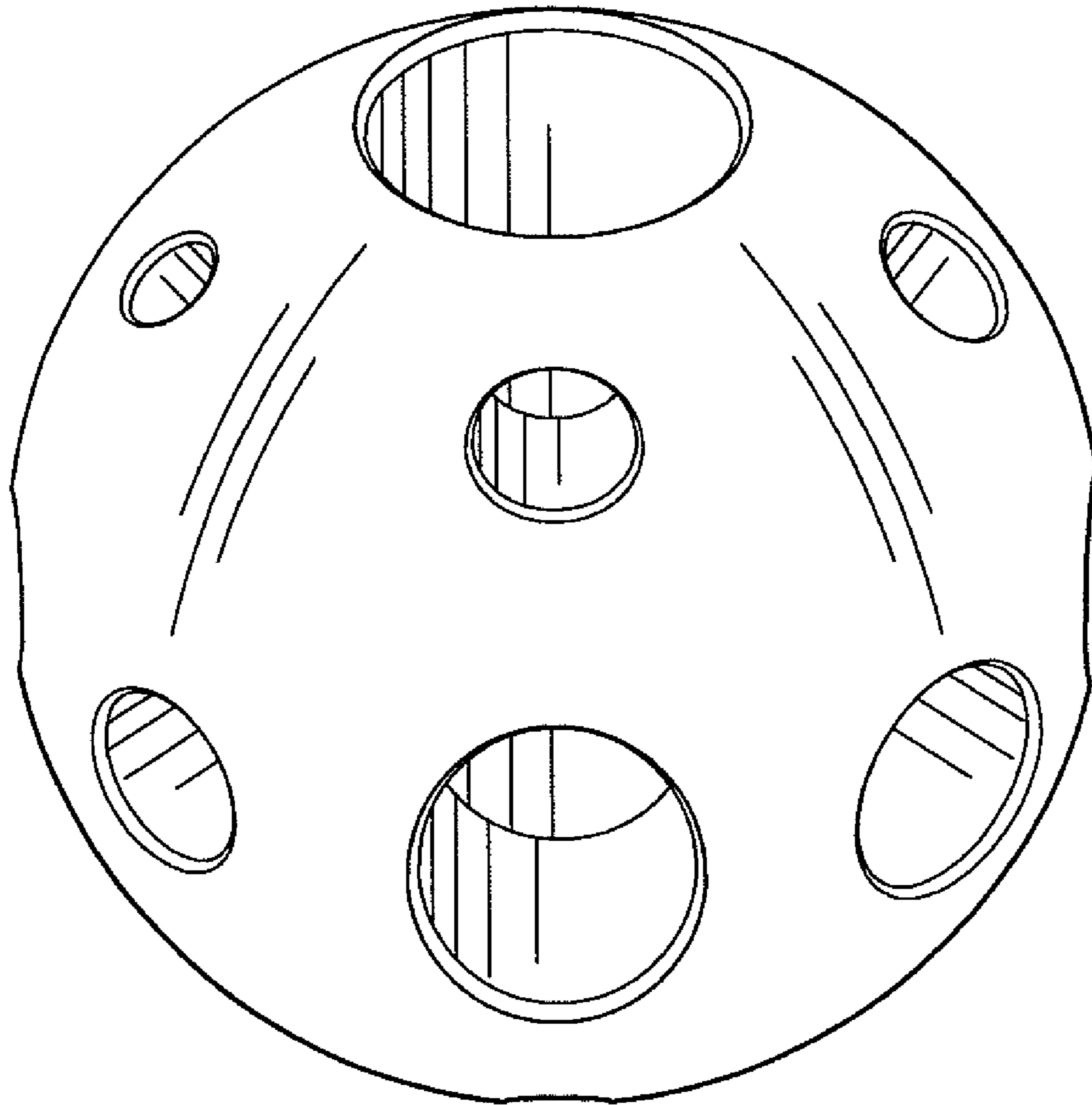


FIG. 1

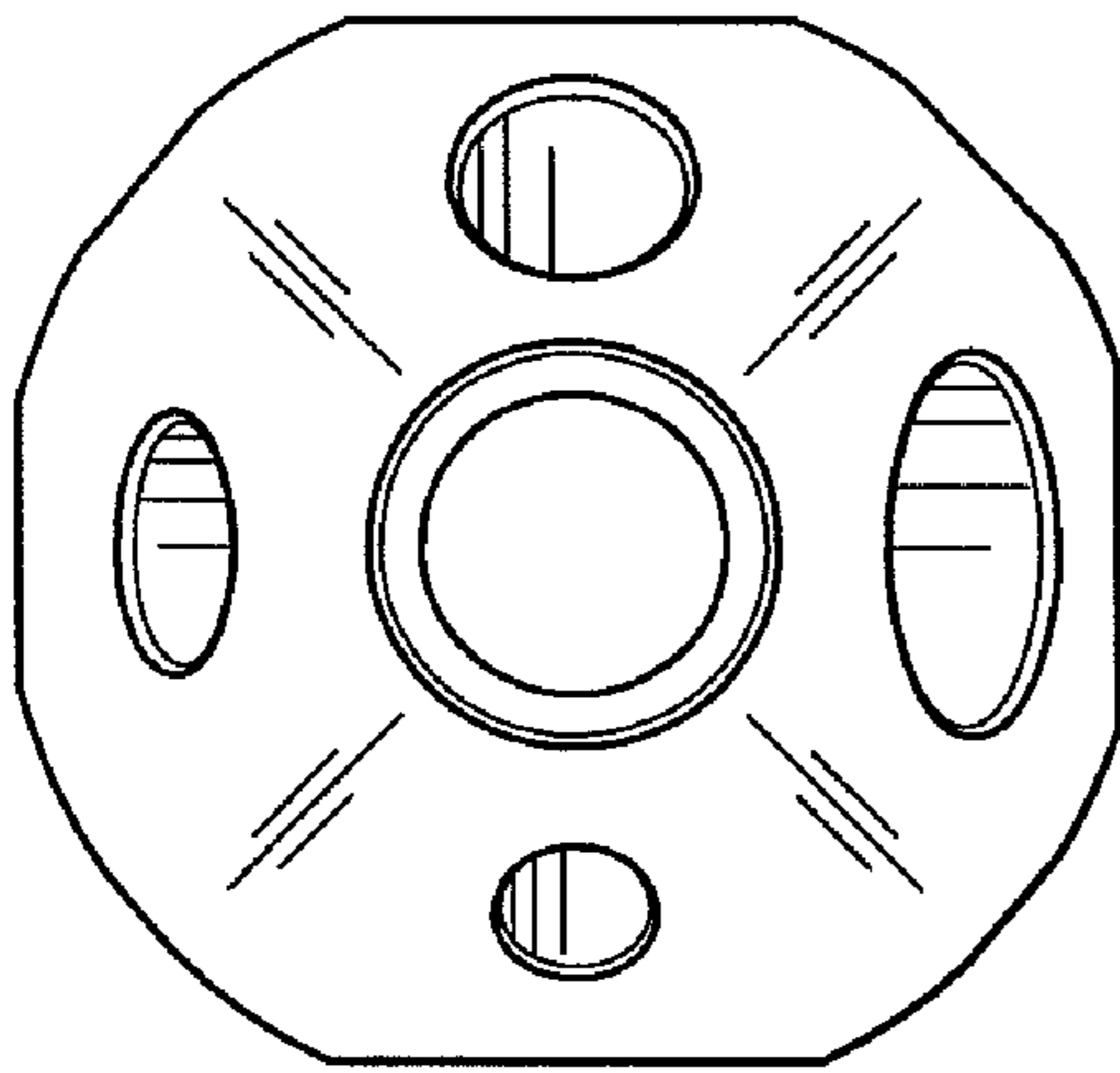


FIG. 2

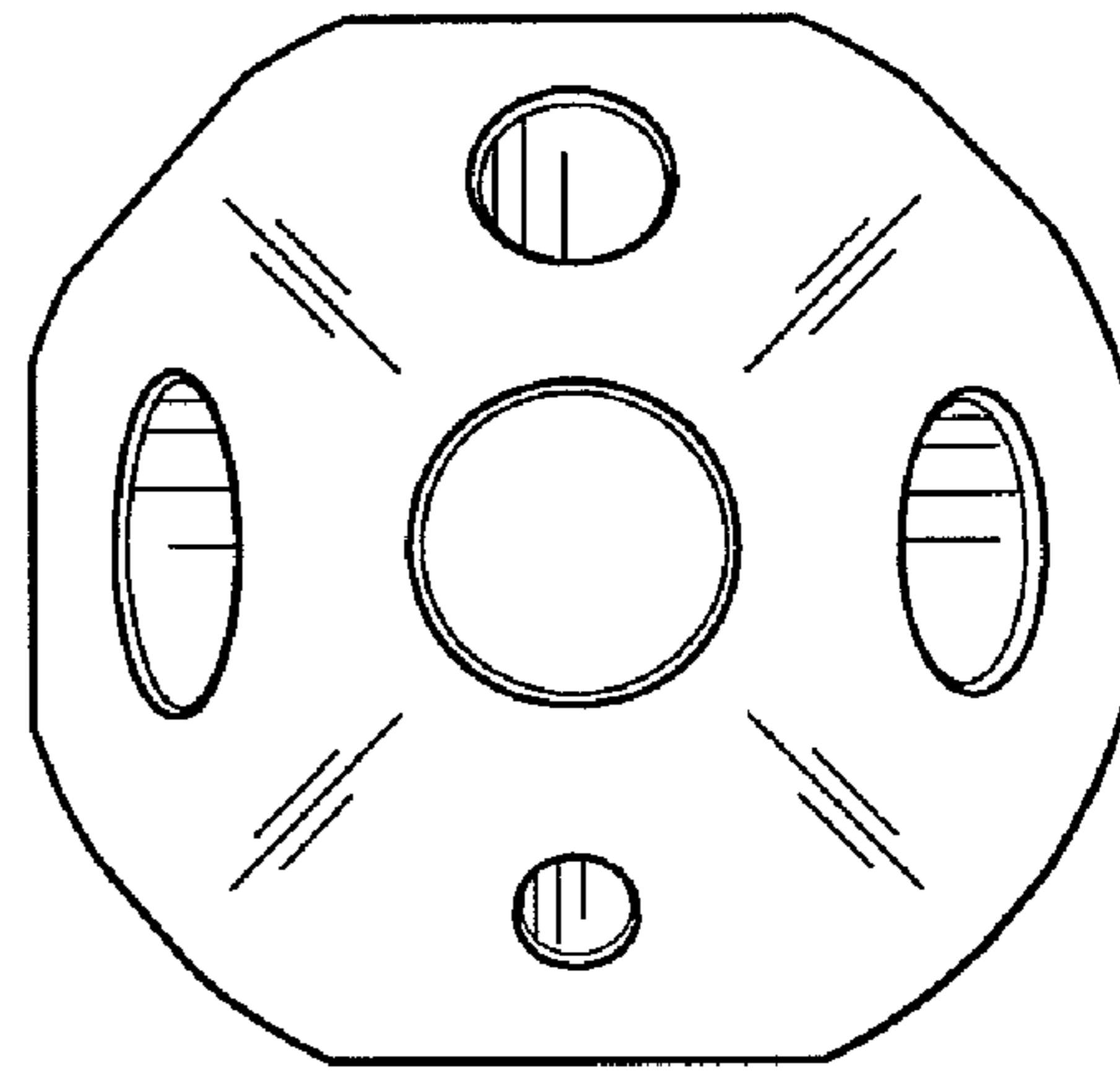


FIG. 3

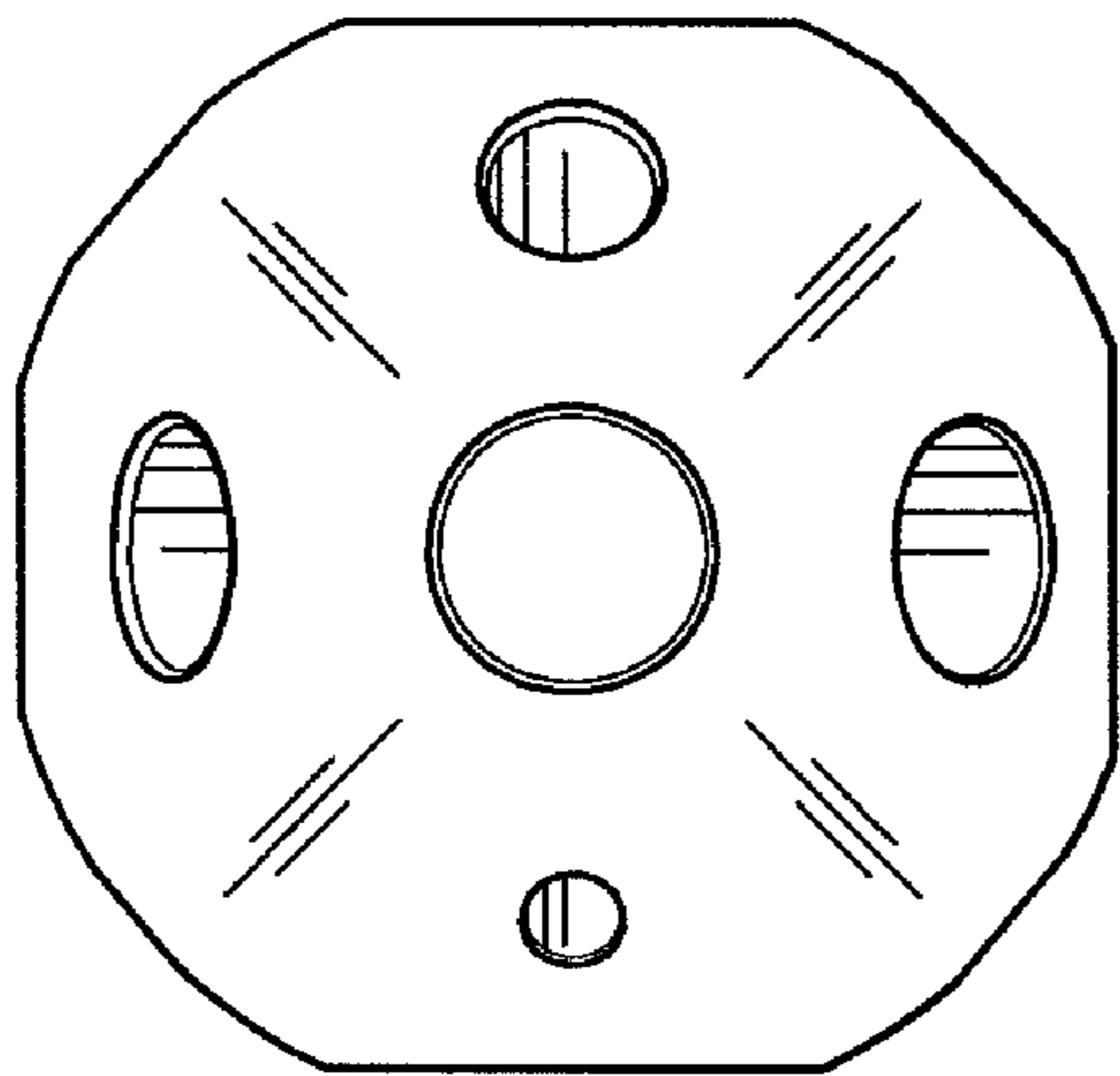


FIG. 4

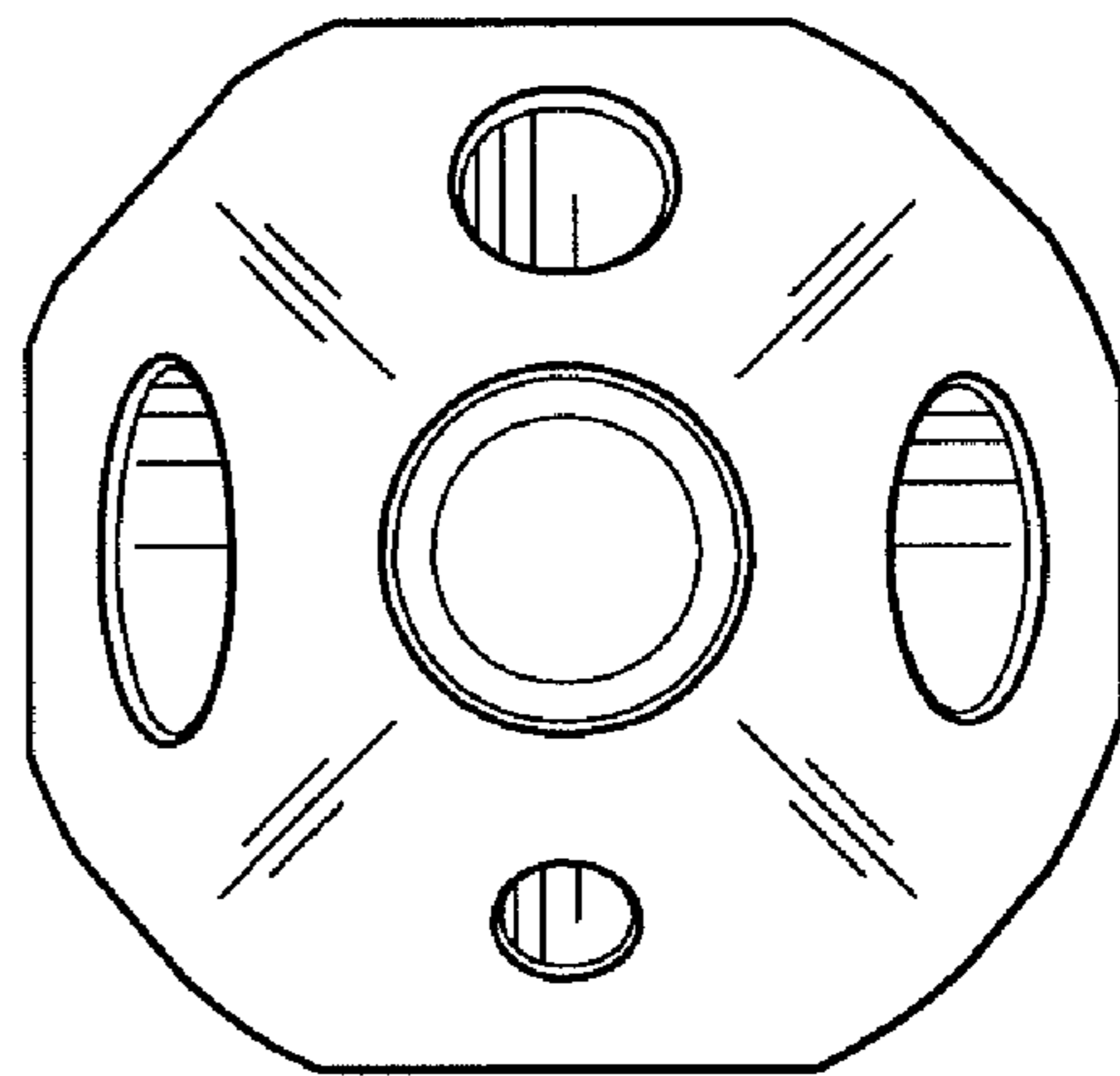


FIG. 5

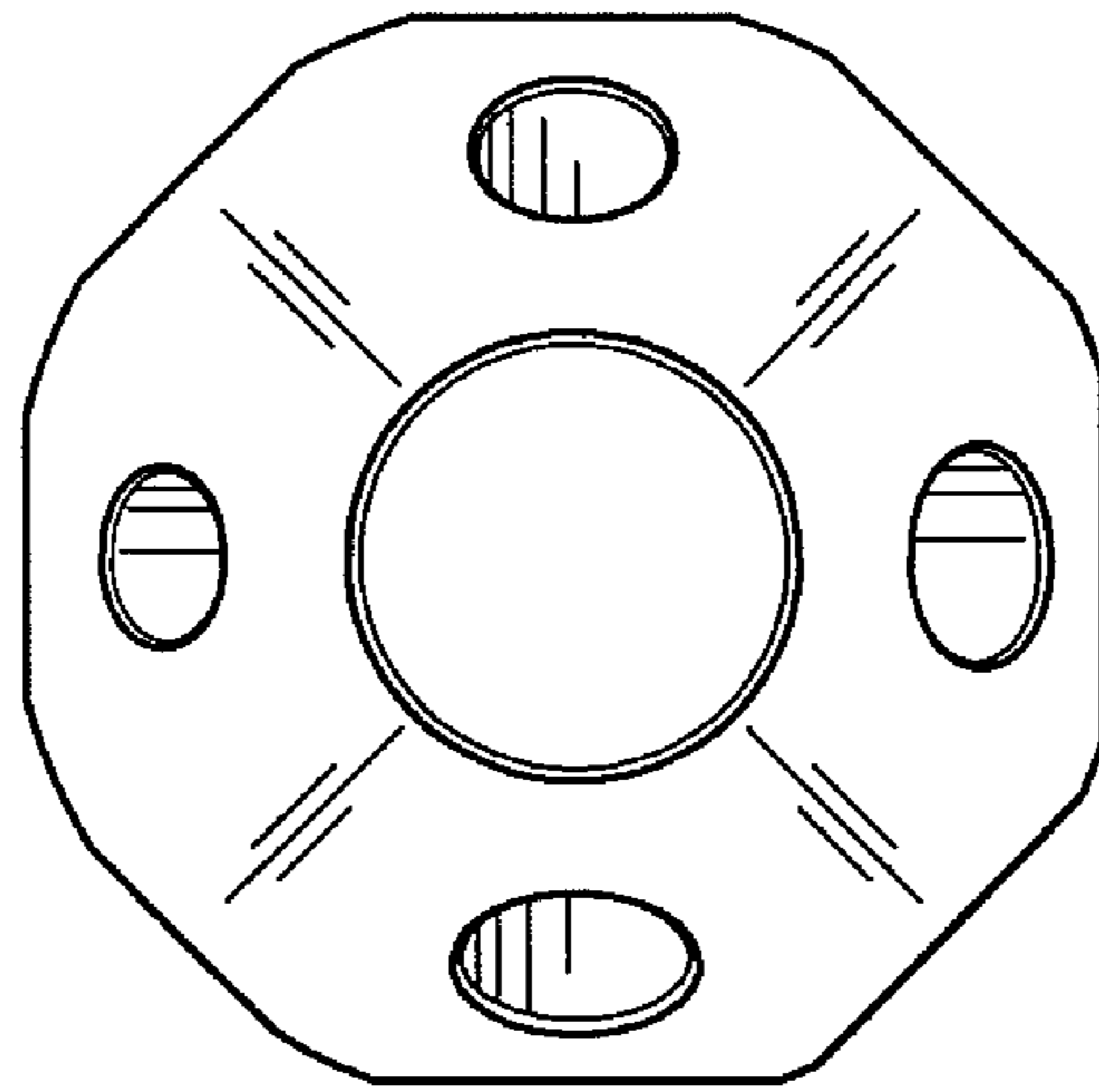


FIG. 6

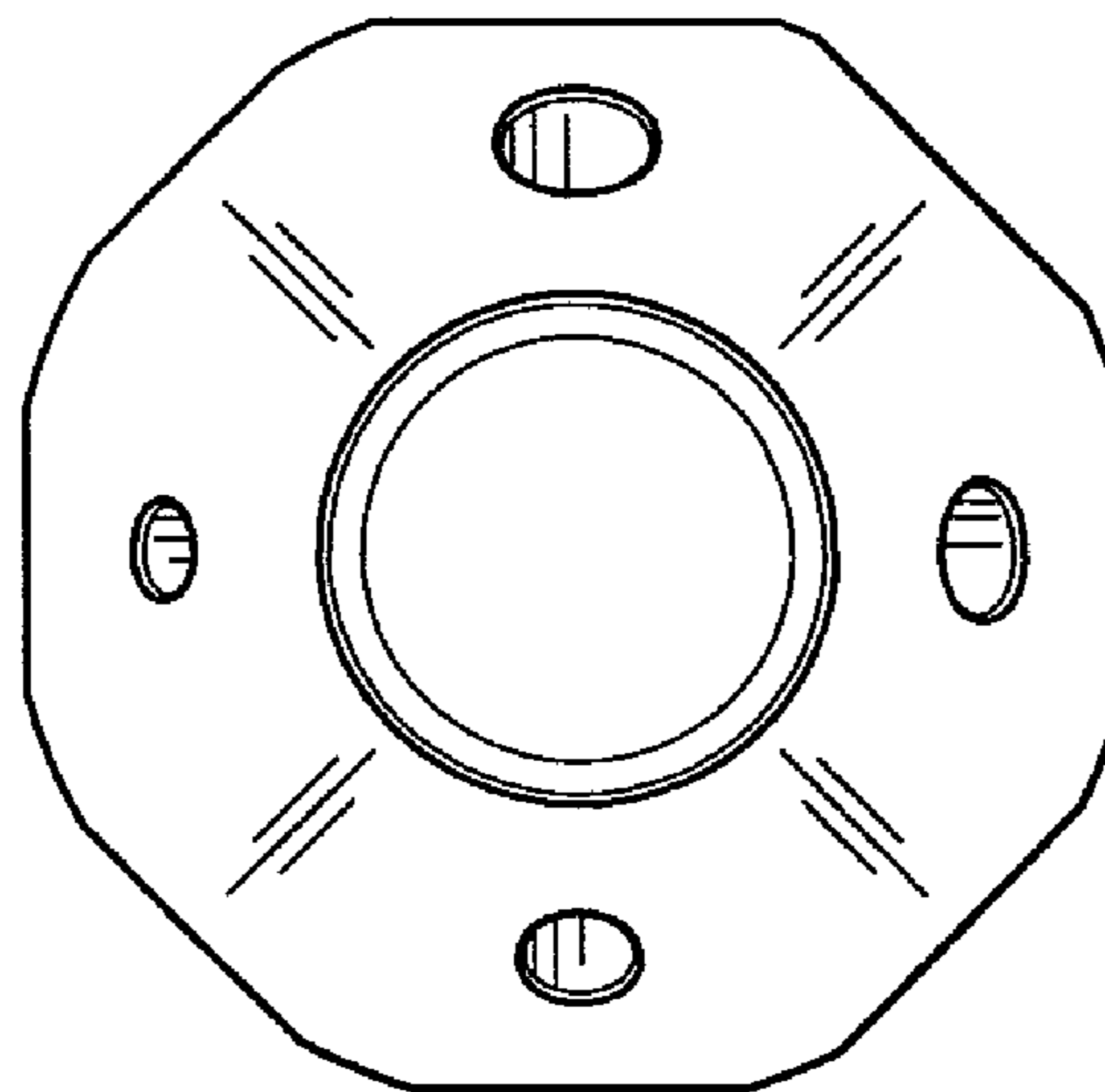


FIG. 7

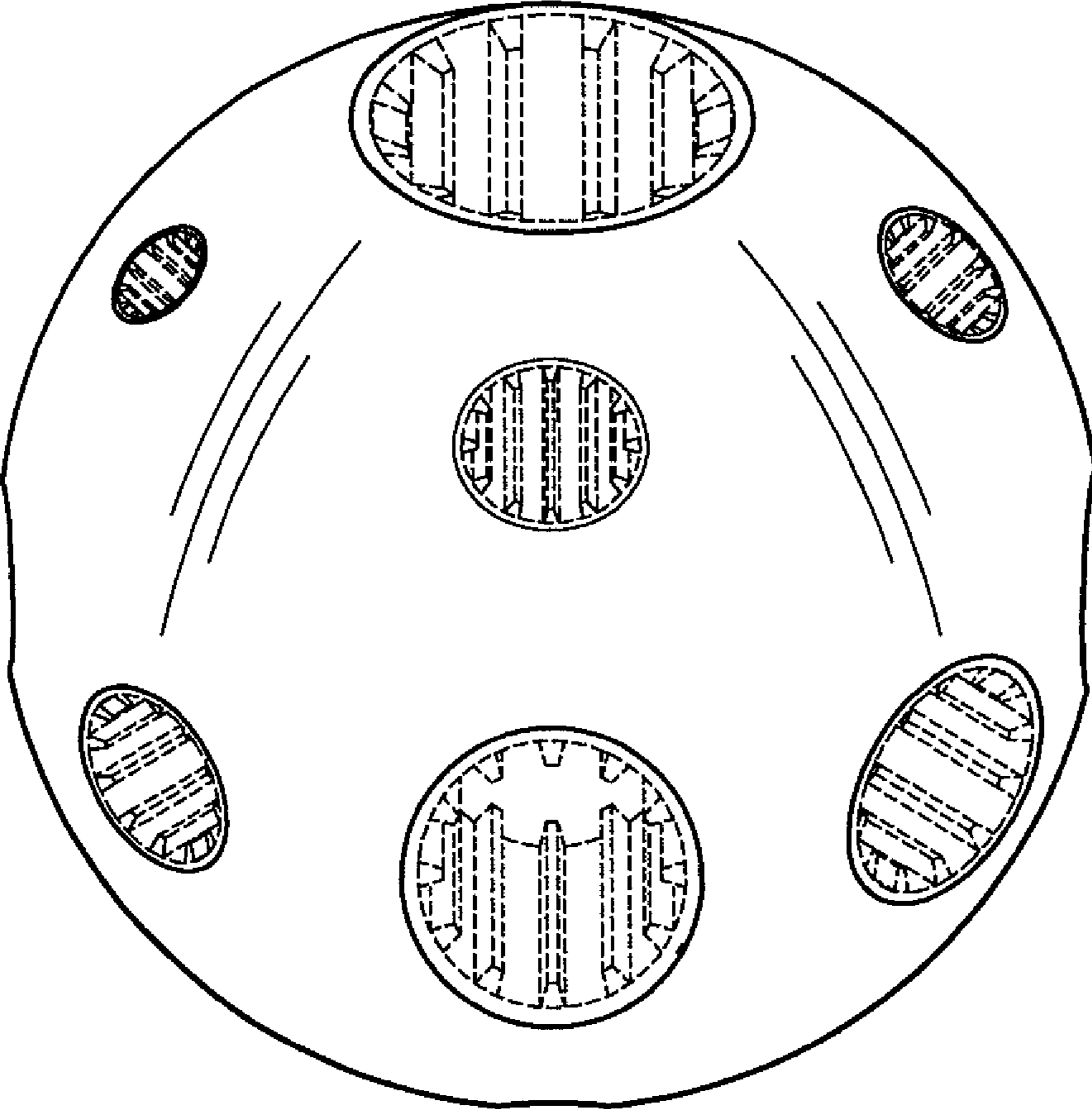


FIG. 8

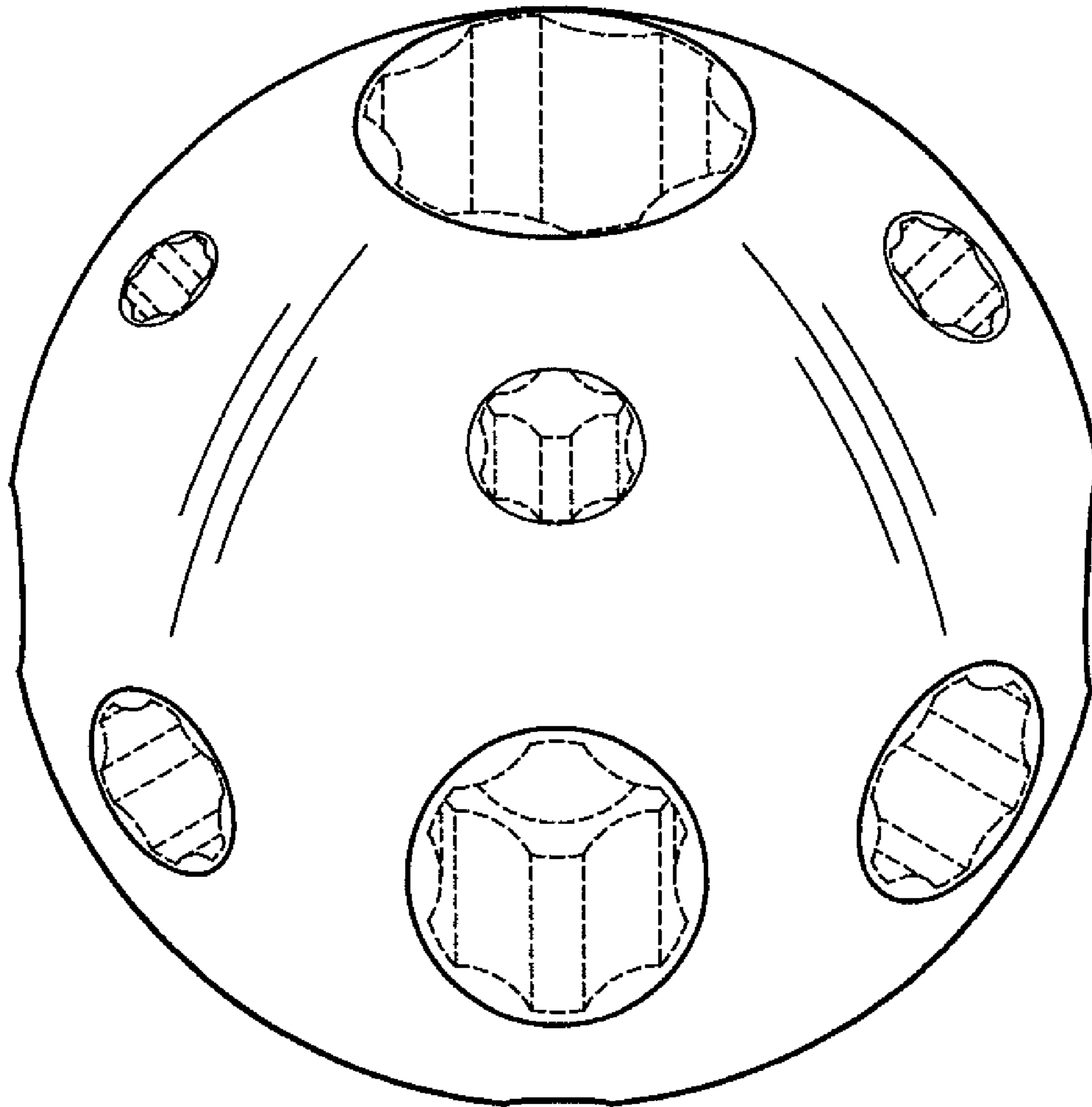


FIG. 9