



US00D660662S

(12) **United States Design Patent**
Davison, III et al.

(10) **Patent No.:** **US D660,662 S**

(45) **Date of Patent:** **** May 29, 2012**

(54) **PATTY-FORMING TOOL**

(75) Inventors: **George McConnell Davison, III**,
Pittsburgh, PA (US); **Peter Arthur**
Meier, Pittsburgh, PA (US); **Jason Reed**
Rogge, Belle Vernon, PA (US); **Colin**
Derek Curry, Allison Park, PA (US);
Matthew David McClatchey,
Hamburgh, NY (US); **Chad Brewer**,
Linn Creek, MO (US); **William**
Whitlock, Linn Creek, MO (US)

(73) Assignee: **Focus Products Group, LLC**,
Lincolnshire, IL (US)

(**) Term: **14 Years**

(21) Appl. No.: **29/390,164**

(22) Filed: **Apr. 20, 2011**

(51) **LOC (9) Cl.** **07-04**

(52) **U.S. Cl.** **D7/674**

(58) **Field of Classification Search** D7/672-674,
D7/677, 678, 693, 381, 385, 665, 666, 412,
D7/361; 30/303, 304, 114, 116; 99/537,
99/538, 508, 430; 83/466.1, 651.1, 597,
83/932, 599; 241/167, 169.2, 168, 169.1,
241/95, 84.3; 100/234; 425/318, 87, 352,
425/195; 249/92

See application file for complete search history.

(56) **References Cited**

U.S. PATENT DOCUMENTS

1,749,178	A *	3/1930	Berg	425/318
1,808,993	A *	6/1931	Murray	425/352
2,173,760	A *	9/1939	Moran	425/318
D154,551	S *	7/1949	Lang	D7/674
D155,422	S *	10/1949	Henderson	D7/674
2,605,498	A *	8/1952	Manton	425/318
3,131,066	A *	4/1964	Mitzelfelt	
D206,606	S *	1/1967	Brown	D7/674

D232,690	S *	9/1974	Aries	D7/361
3,909,881	A	10/1975	Anderson	
3,913,175	A	10/1975	Peterson	
D244,344	S *	5/1977	Rheingold et al.	D7/361
4,057,874	A *	11/1977	Walker, Jr.	425/318
4,106,162	A	8/1978	Fournier	
4,674,404	A *	6/1987	D'Erasmio	100/234
D363,851	S *	11/1995	Chen	D7/361
D369,948	S	5/1996	Tobiasz	
6,386,854	B1	5/2002	Guss	
6,561,084	B2 *	5/2003	Lane	99/508
D530,991	S *	10/2006	West et al.	D7/674
D535,164	S *	1/2007	St. Germain et al.	D7/674
7,247,011	B2 *	7/2007	St. Germain et al.	425/87
7,442,025	B2	10/2008	Rivera	
D582,220	S *	12/2008	Farnum et al.	D7/672
7,513,767	B2	4/2009	Caboverde	
D612,218	S *	3/2010	Blankenship	D7/674
2006/0192042	A1 *	8/2006	So	241/95
2008/0175968	A1	7/2008	Bloom et al.	

* cited by examiner

Primary Examiner — Jeffrey D Asch

(74) *Attorney, Agent, or Firm* — Michael Best & Friedrich LLP

(57) **CLAIM**

We claim the ornamental design for a patty-forming tool, as shown and described.

DESCRIPTION

FIG. 1 is a left-side perspective view of a patty-forming tool embodying the present invention.

FIG. 2 is a top view of the patty-forming tool of FIG. 1.

FIG. 3 is a left side view of the patty-forming tool of FIG. 1.

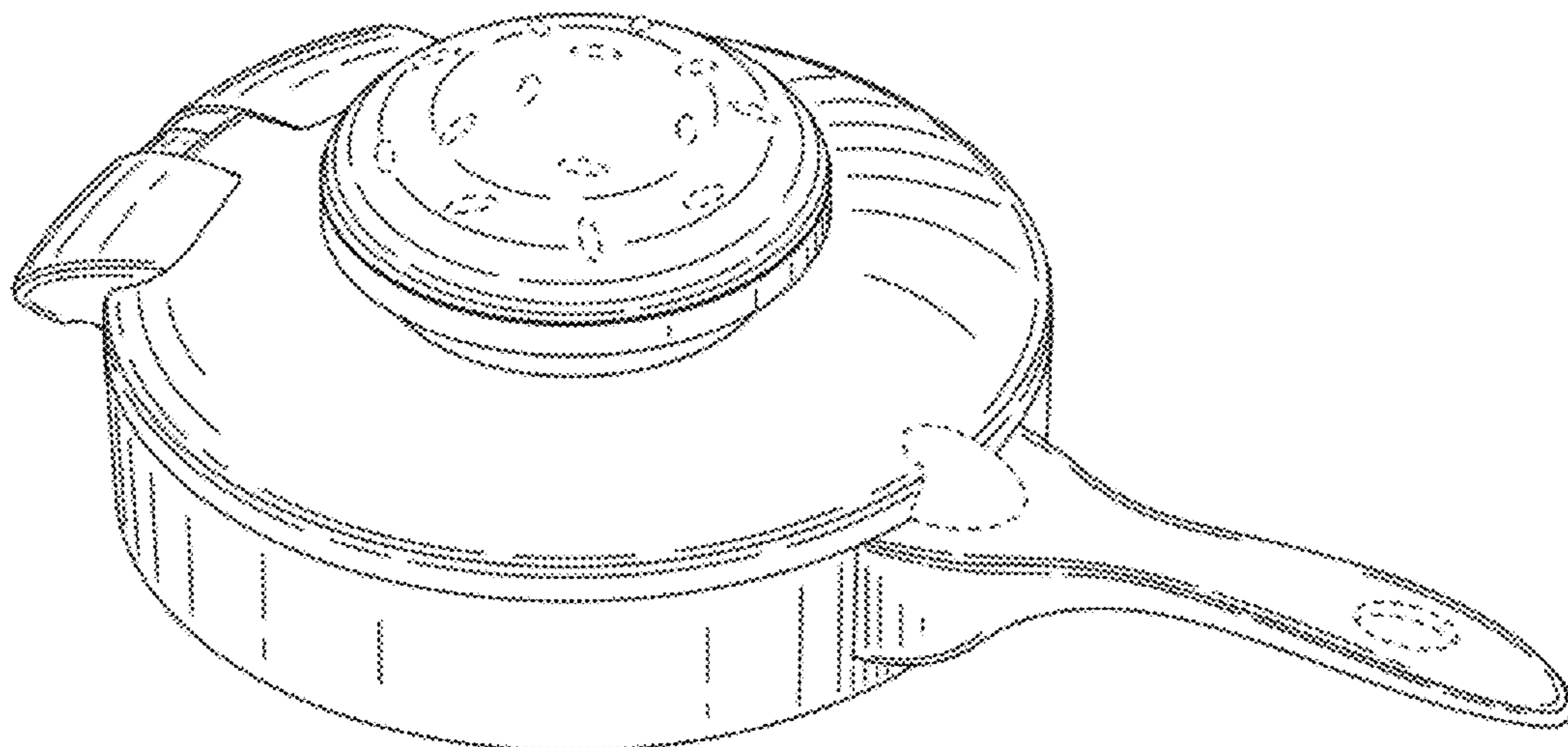
FIG. 4 is a right side view of the patty-forming tool of FIG. 1.

FIG. 5 is a rear view of the patty-forming tool of FIG. 1; and,

FIG. 6 is a front view of the patty-forming tool of FIG. 1.

The portions of the patty-forming tool shown in broken lines represent environmental structure. The broken lines represent the bounds of the claimed design and form no part of the claimed design.

1 Claim, 5 Drawing Sheets



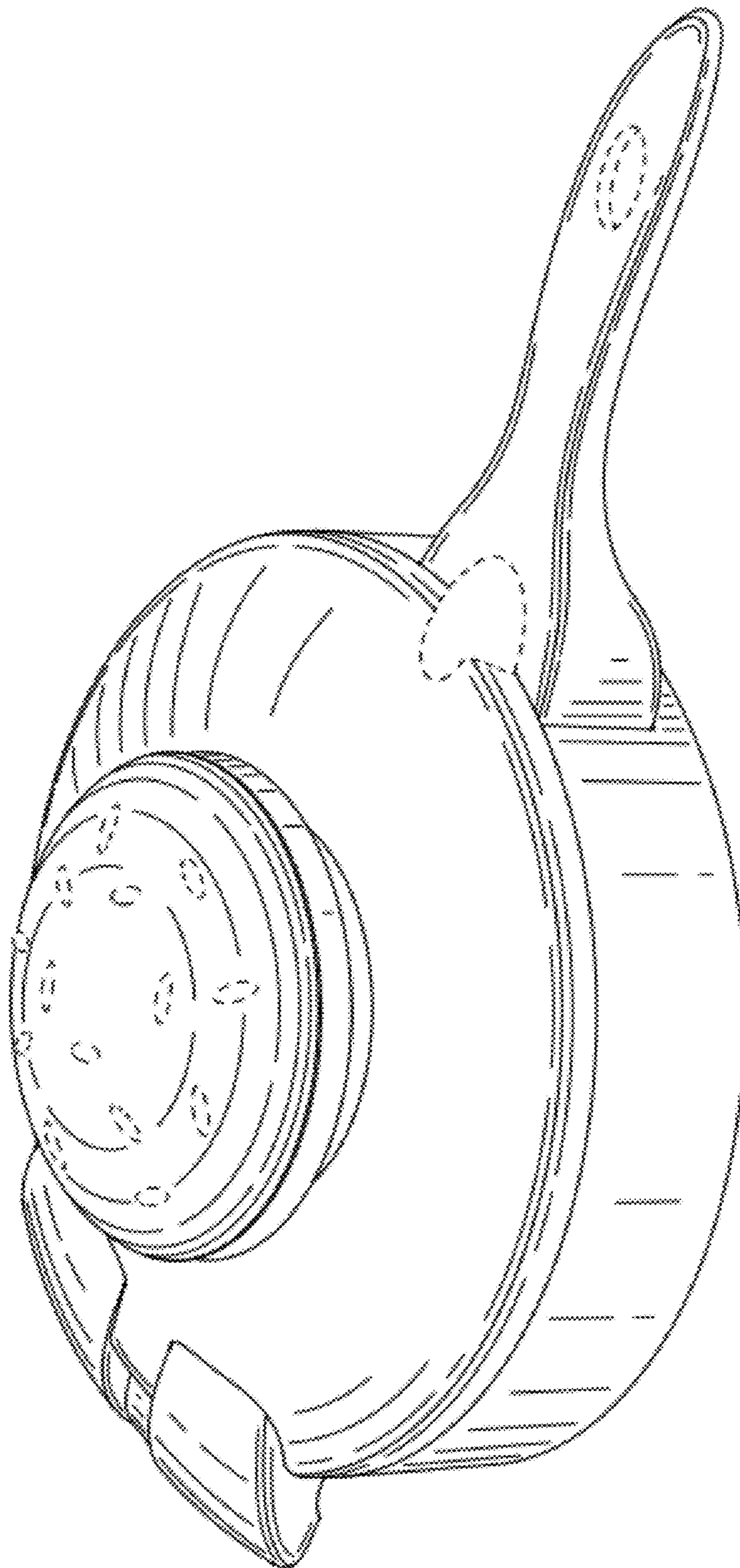


FIG. 1

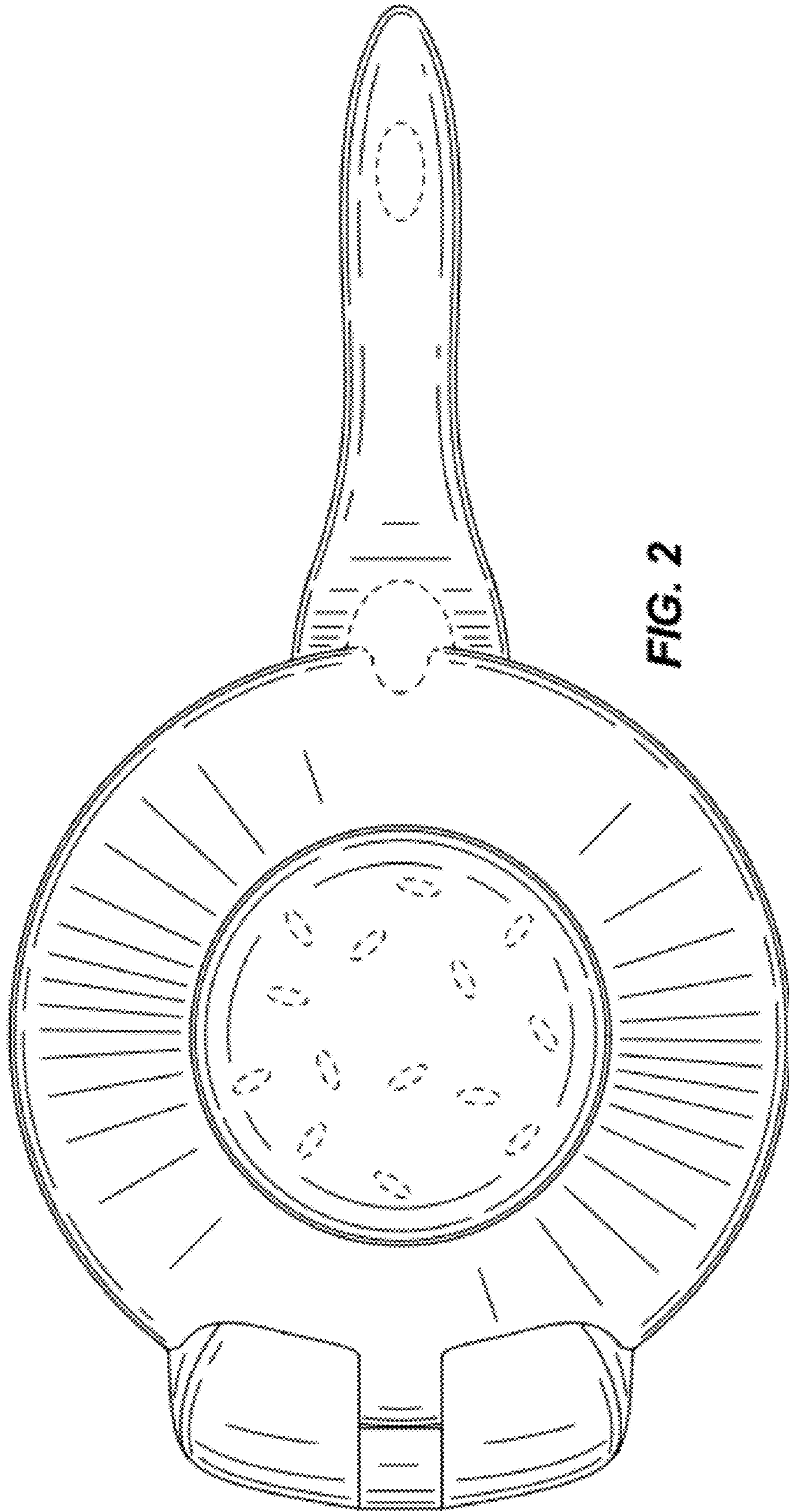


FIG. 2

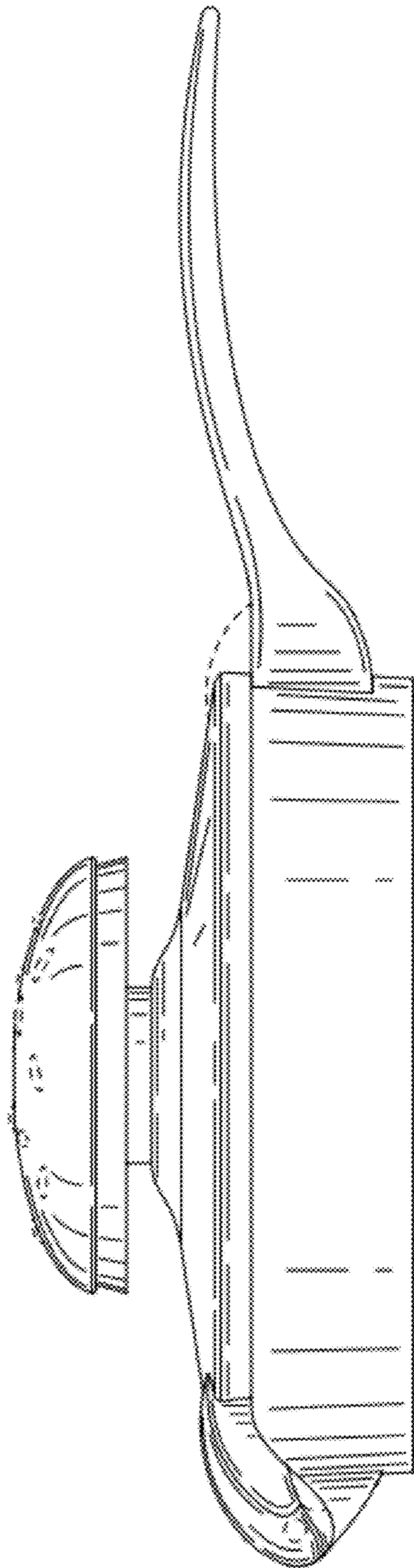


FIG. 3

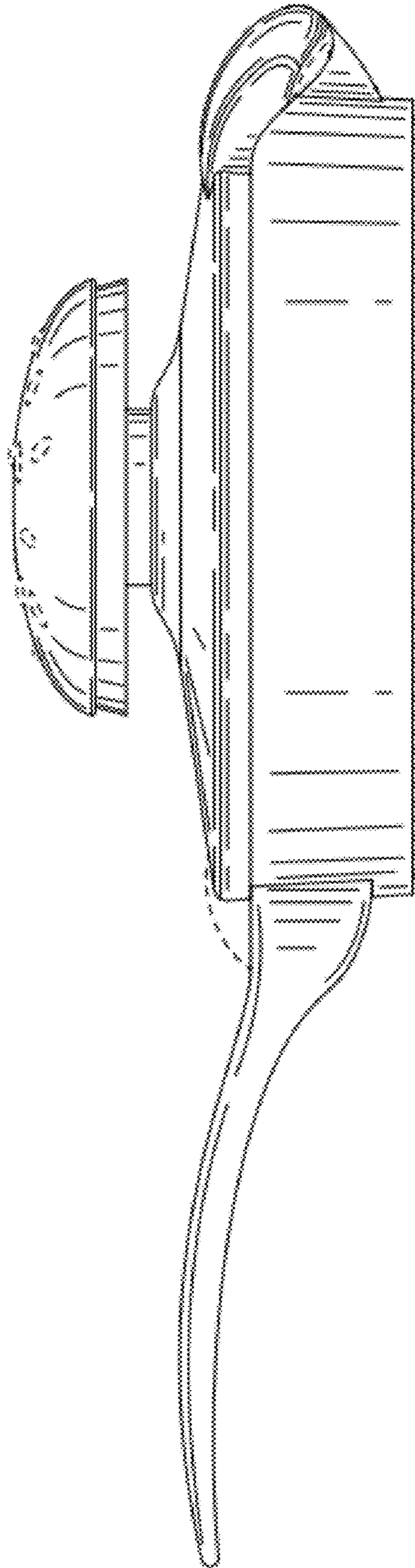


FIG. 4

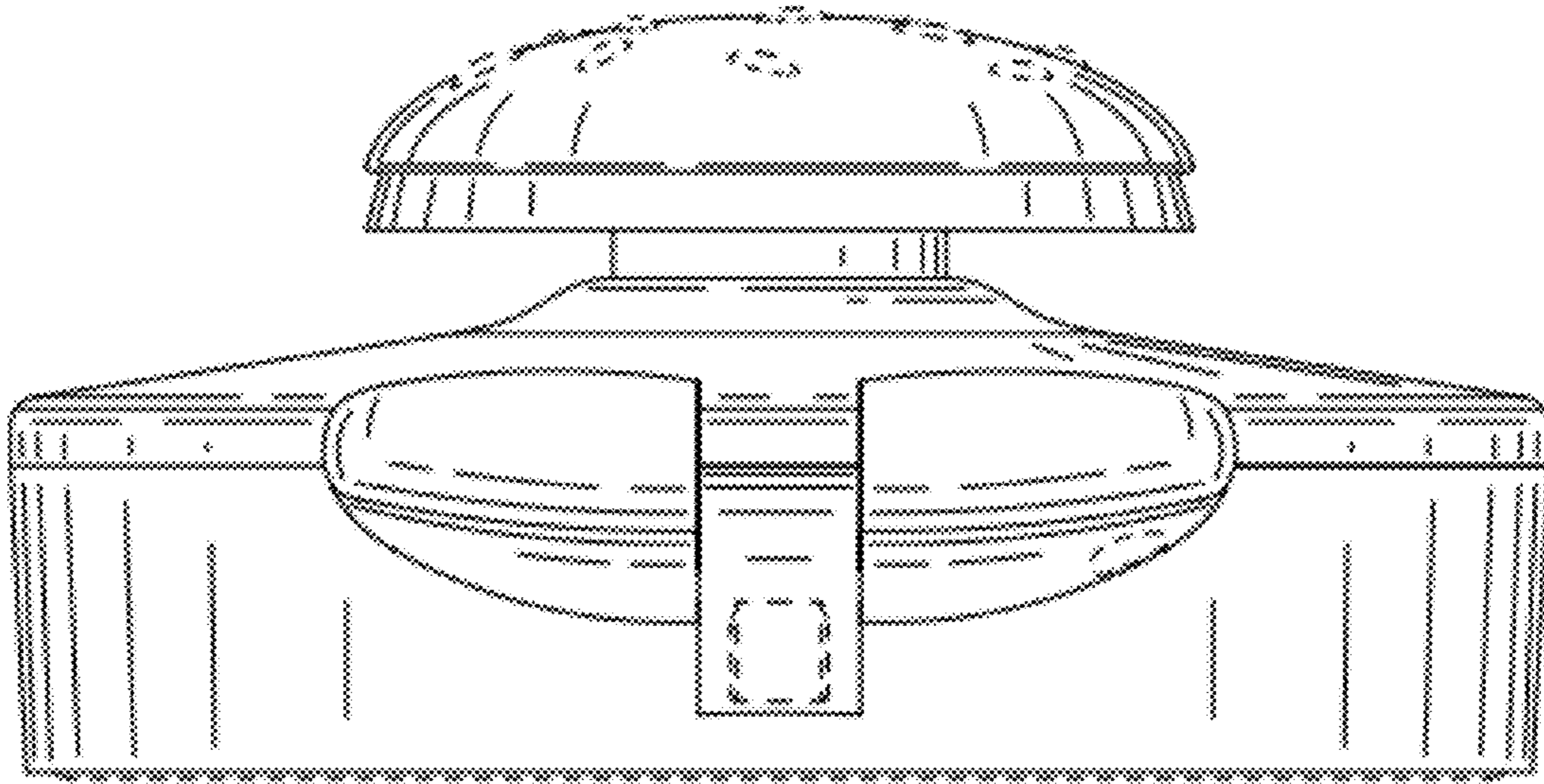


FIG. 5

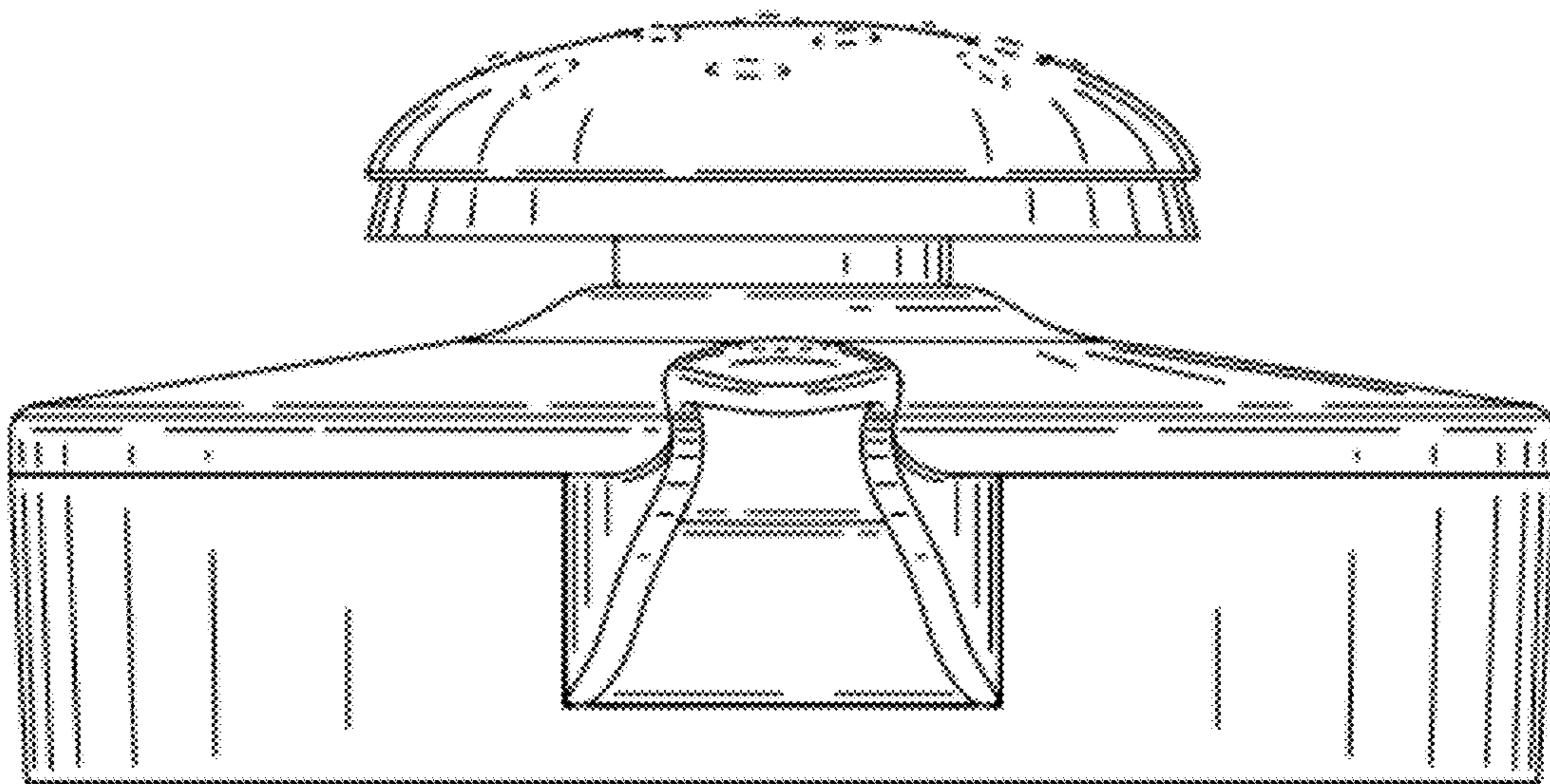


FIG. 6