



US00D660660S

(12) **United States Design Patent**
Kim

(10) **Patent No.:** **US D660,660 S**

(45) **Date of Patent:** **** May 29, 2012**

(54) **JUICER**

(75) Inventor: **Jong Boo Kim**, Daegu (KR)

(73) Assignee: **NUC Electronics Co., Ltd.**, Daegu (KR)

(**) Term: **14 Years**

(21) Appl. No.: **29/359,567**

(22) Filed: **Apr. 13, 2010**

(51) **LOC (9) Cl.** **31-00**

(52) **U.S. Cl.** **D7/666**

(58) **Field of Classification Search** D7/368,
D7/665, 666, 372, 373, 374, 376, 377, 378,
D7/379, 380, 381, 382, 383, 384, 385, 386,
D7/412, 413, 414, 415; 100/213, 104, 106,
100/107, 110, 131, 132, 134, 135; 99/349,
99/369, 370

See application file for complete search history.

(56) **References Cited**

U.S. PATENT DOCUMENTS

D105,335	S	*	7/1937	Majewski	D7/666
2,142,975	A	*	1/1939	Majewski, Jr.	100/131
2,306,884	A	*	12/1942	Jakovicz	100/125
D138,983	S	*	10/1944	Johnson	D7/666
2,420,142	A	*	5/1947	Levin	100/233
2,474,399	A	*	6/1949	Johnson	100/213
2,526,258	A	*	10/1950	Mitnick	100/125
2,553,942	A	*	5/1951	Roos	99/503
2,589,724	A	*	3/1952	Miller	100/125
2,591,162	A	*	4/1952	Kircher	100/125
2,624,271	A	*	1/1953	Johnson	100/213
D321,812	S	*	11/1991	Maass	D7/384
D439,808	S	*	4/2001	McClean et al.	D7/665
D471,408	S	*	3/2003	Fouquet	D7/665
D475,582	S	*	6/2003	To	D7/665
D487,674	S	*	3/2004	Robins	D7/665
D489,949	S	*	5/2004	Chung	D7/665
D498,642	S	*	11/2004	Huang	D7/378

D501,370	S	*	2/2005	Hensel et al.	D7/665
D506,108	S	*	6/2005	Cohen et al.	D7/665
D512,882	S	*	12/2005	Hsu	D7/665
D513,943	S	*	1/2006	Hsu	D7/665
D522,321	S	*	6/2006	Hsu	D7/665
D526,540	S	*	8/2006	Cohen et al.	D7/665
D528,873	S	*	9/2006	Hensel	D7/665
D534,400	S	*	1/2007	Cohen et al.	D7/665
D537,303	S	*	2/2007	Stuckey	D7/665
D538,115	S	*	3/2007	Lin	D7/665
D538,116	S	*	3/2007	Siu	D7/665
D540,127	S	*	4/2007	Ye et al.	D7/665
D551,521	S	*	9/2007	Chang Chien	D7/665
D551,914	S	*	10/2007	Chang Chien	D7/665
D551,915	S	*	10/2007	Chang Chien	D7/665
D555,434	S	*	11/2007	Cohen et al.	D7/665
D565,363	S	*	4/2008	Fouquet	D7/666
D572,092	S	*	7/2008	Since	D7/665
D594,717	S	*	6/2009	Wu Chang	D7/665
D623,908	S	*	9/2010	Wu	D7/665

* cited by examiner

Primary Examiner — Elizabeth J Oswecki

(74) *Attorney, Agent, or Firm* — Woodcock Washburn LLP

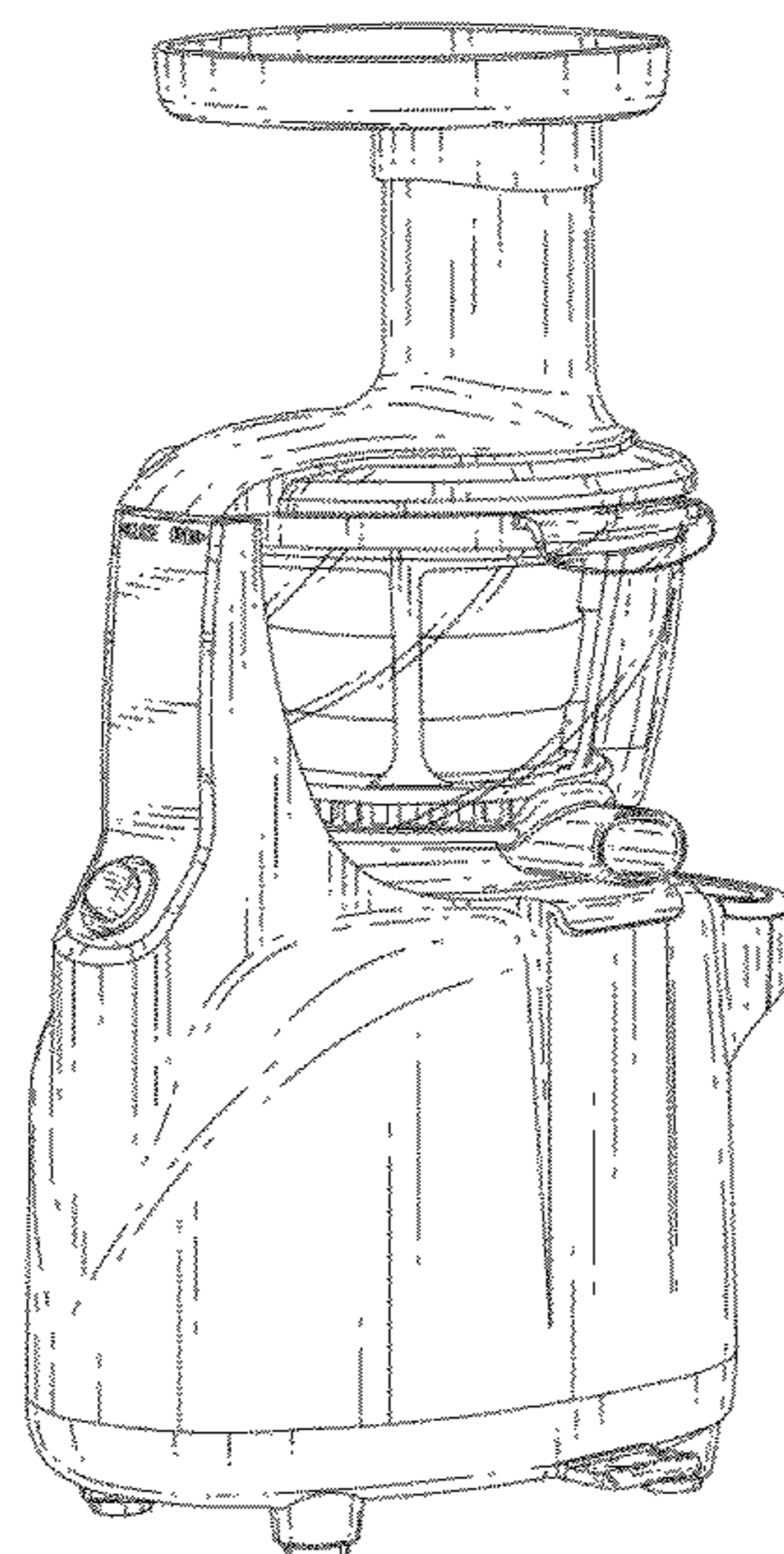
(57) **CLAIM**

We claim the ornamental design for a juicer, substantially as shown and described.

DESCRIPTION

FIG. 1 is a perspective view of a juicer showing my new design;
FIG. 2 is a front elevational view thereof;
FIG. 3 is a rear elevational view thereof;
FIG. 4 is a left side elevational view thereof;
FIG. 5 is a right side elevational view thereof;
FIG. 6 is a top plan view thereof; and,
FIG. 7 is a bottom plan view thereof.
In the drawings, the broken lines in FIGS. 6 and 7 depict portions of the design that form no part of the claim.

1 Claim, 6 Drawing Sheets



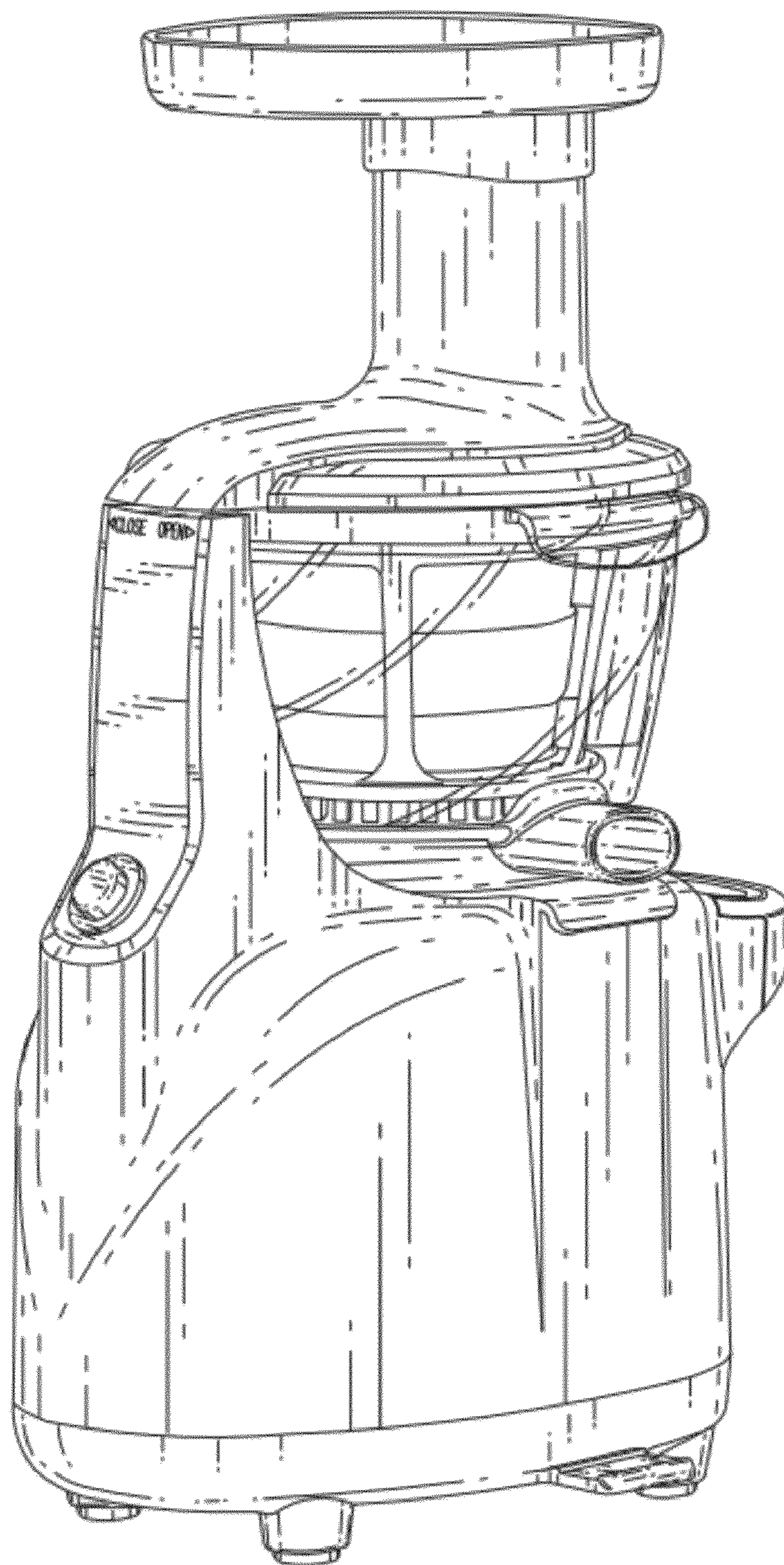


FIG. 1

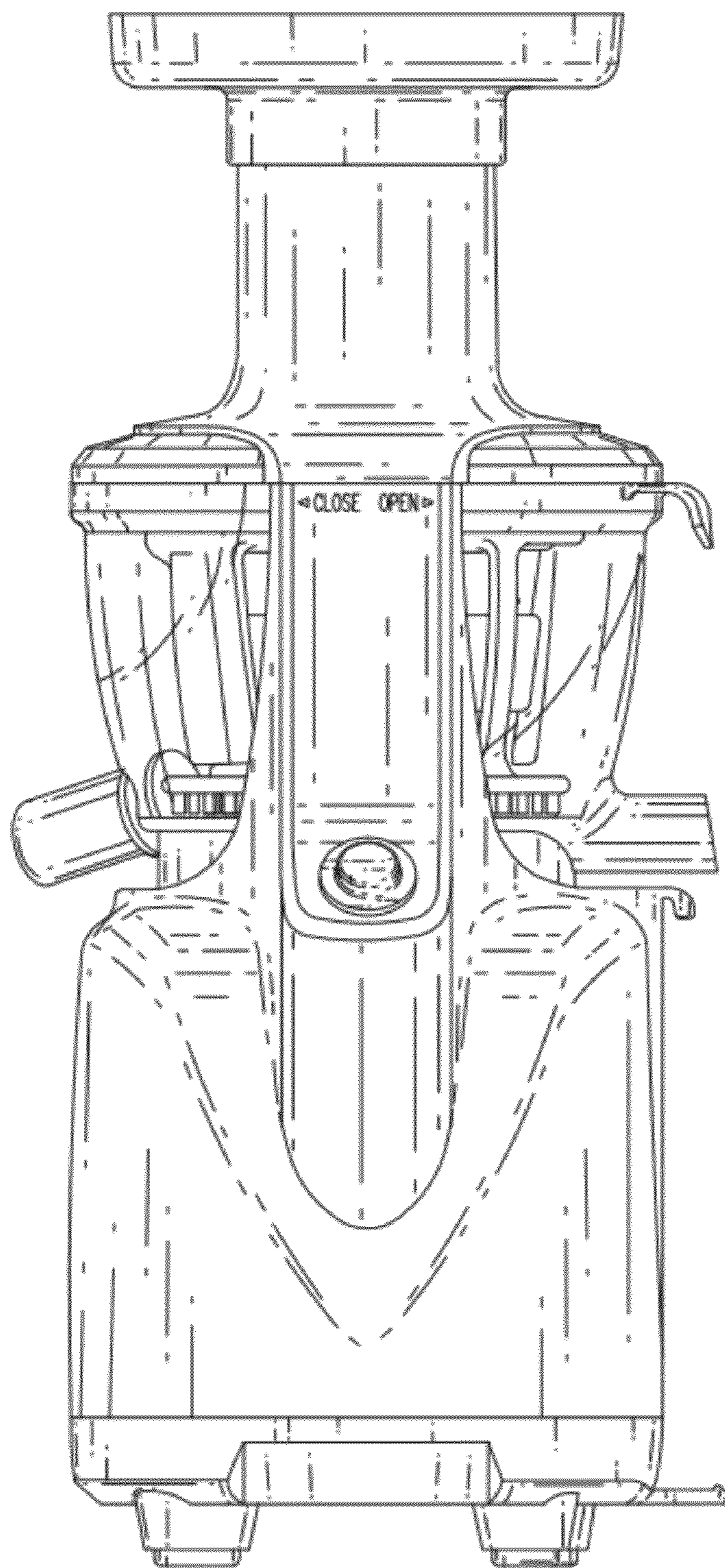


FIG. 2

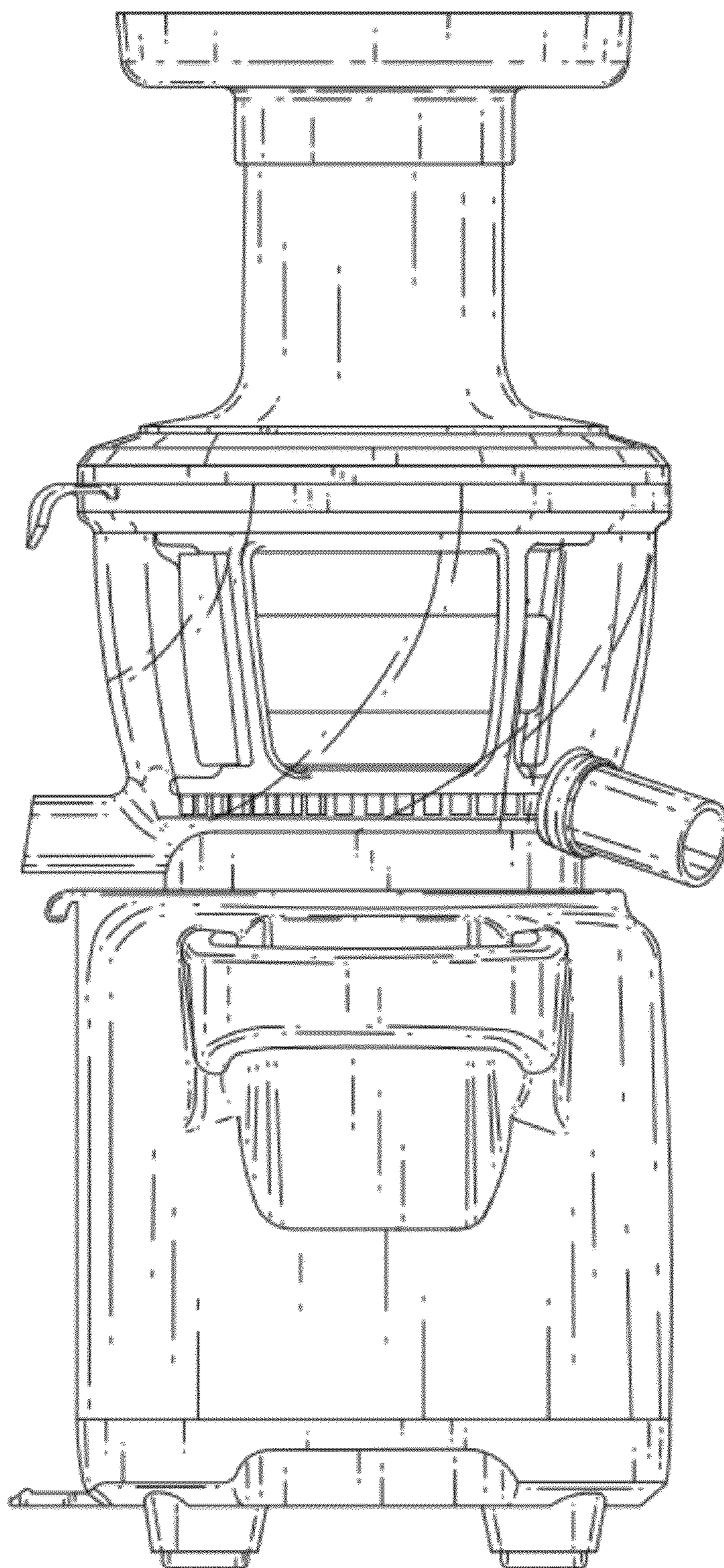


FIG. 3

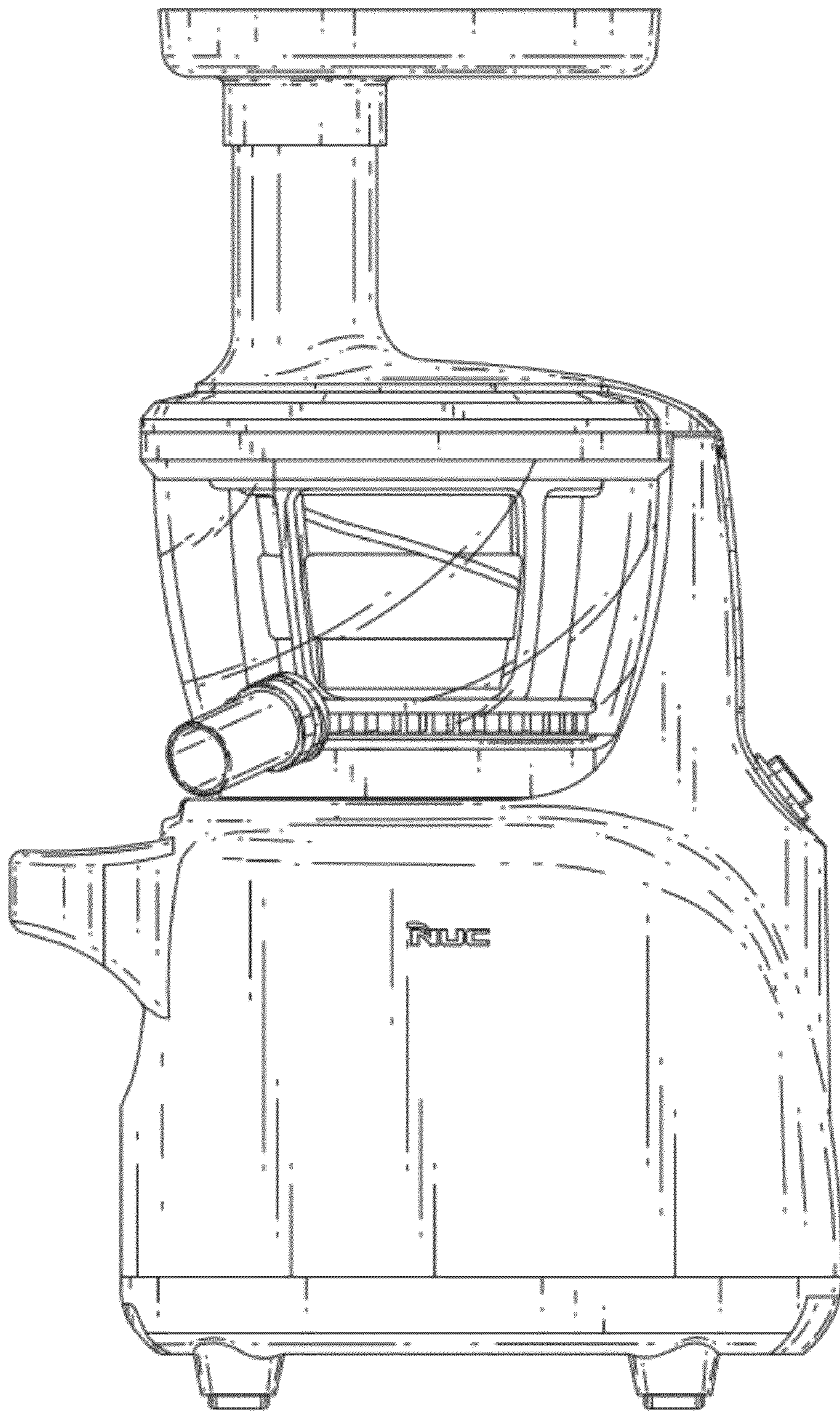


FIG. 4

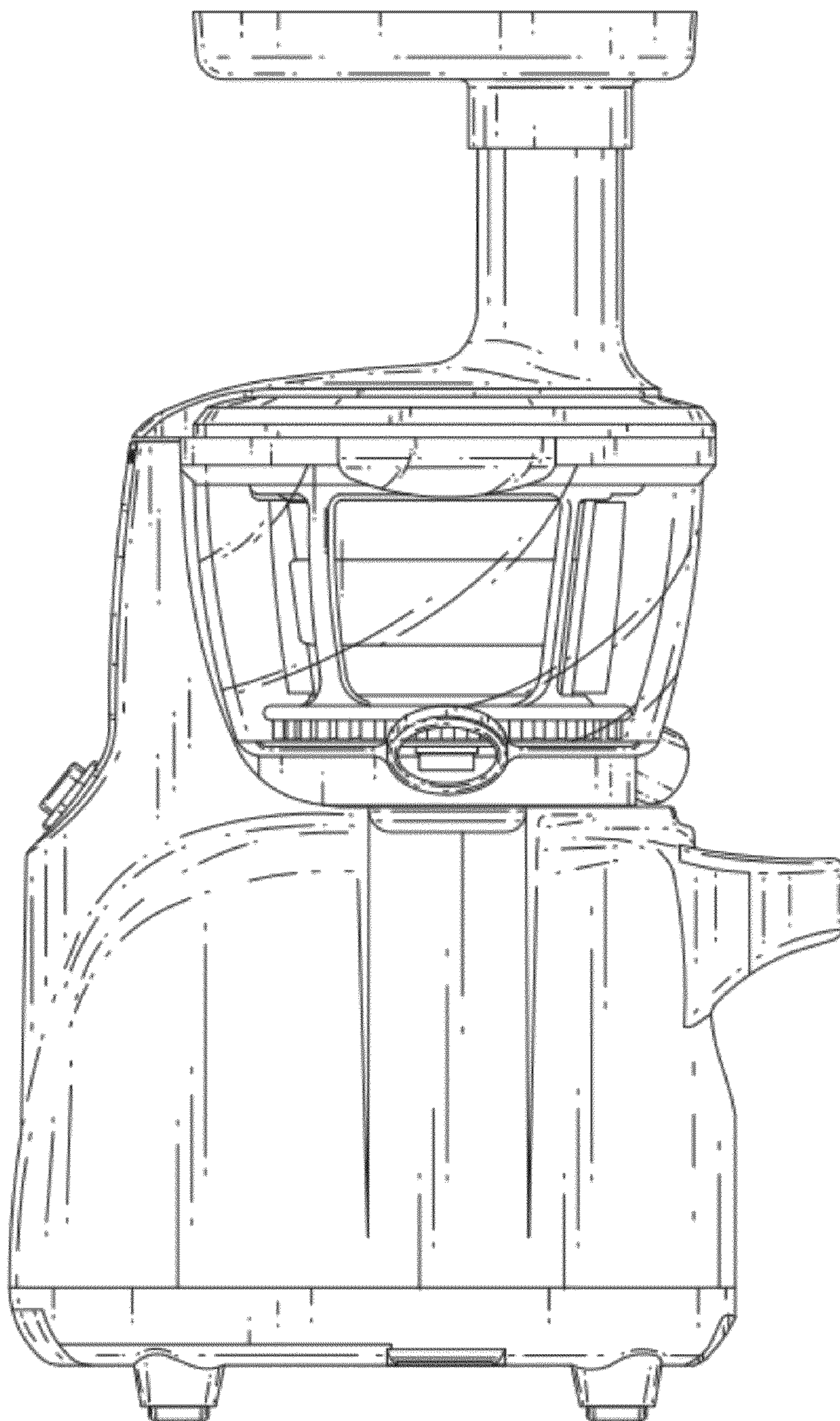


FIG. 5

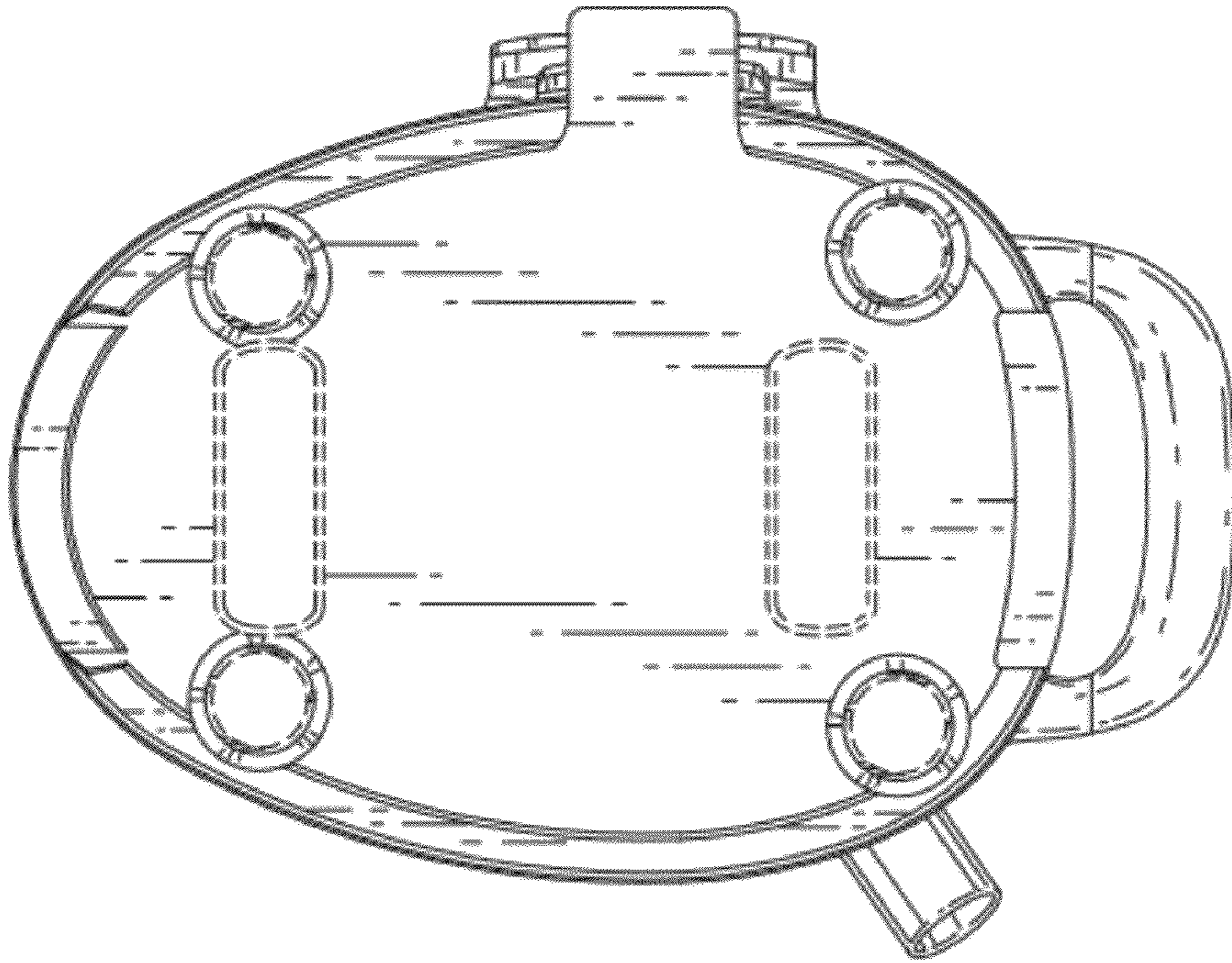


FIG. 7

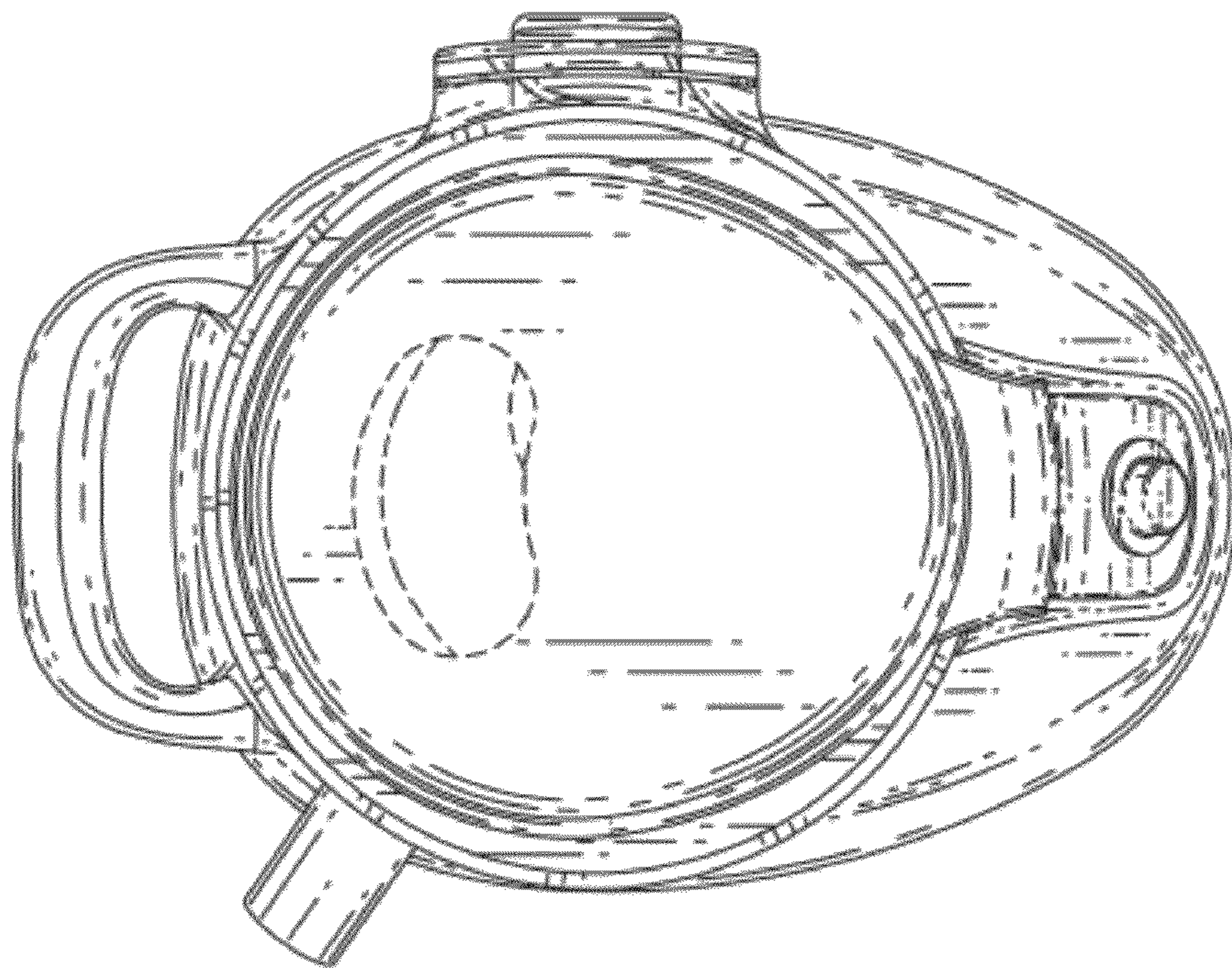


FIG. 6