



US00D660658S

(12) **United States Design Patent**
Kyung

(10) **Patent No.:** **US D660,658 S**

(45) **Date of Patent:** **** May 29, 2012**

(54) **FOOD CONTAINER**

(75) Inventor: **Kim Deok Kyung**, Seoul (KR)

(73) Assignee: **Sam Kwang Glass Co., Ltd**, Seoul (KR)

(**) Term: **14 Years**

(21) Appl. No.: **29/399,591**

(22) Filed: **Aug. 16, 2011**

(51) **LOC (9) Cl.** **07-07**

(52) **U.S. Cl.** **D7/629**

(58) **Field of Classification Search** D7/601,
D7/602, 629, 630, 538-542, 612-615, 584,
D7/586, 587; D9/424-432; D3/273; 229/107,
229/406, 120, 125.17; 220/669-673, 675,
220/574-575, 573.1, 660, 326, 236, 780-806,
220/4.21, 4.24, 288, 260

See application file for complete search history.

(56) **References Cited**

U.S. PATENT DOCUMENTS

D248,216 S *	6/1978	Allen et al.	D9/778
D488,031 S *	4/2004	Kim	D7/629
D491,024 S *	6/2004	Welsh	D7/629
D493,073 S *	7/2004	Kim	D7/629
D506,106 S *	6/2005	Ordiway et al.	D7/629
D523,296 S *	6/2006	Kim	D7/629
D537,300 S *	2/2007	Kim	D7/629

D546,140 S *	7/2007	Anzalone	D7/672
D575,115 S *	8/2008	Zimmerman	D7/629
D582,218 S *	12/2008	Curtin	D7/629
D604,119 S *	11/2009	Kim	D7/629
D606,813 S *	12/2009	Kim	D7/629
2003/0010783 A1 *	1/2003	Prezelin	220/324

* cited by examiner

Primary Examiner — Terry Wallace

(74) *Attorney, Agent, or Firm* — Honigman Miller Schwartz and Cohn LLP

(57) **CLAIM**

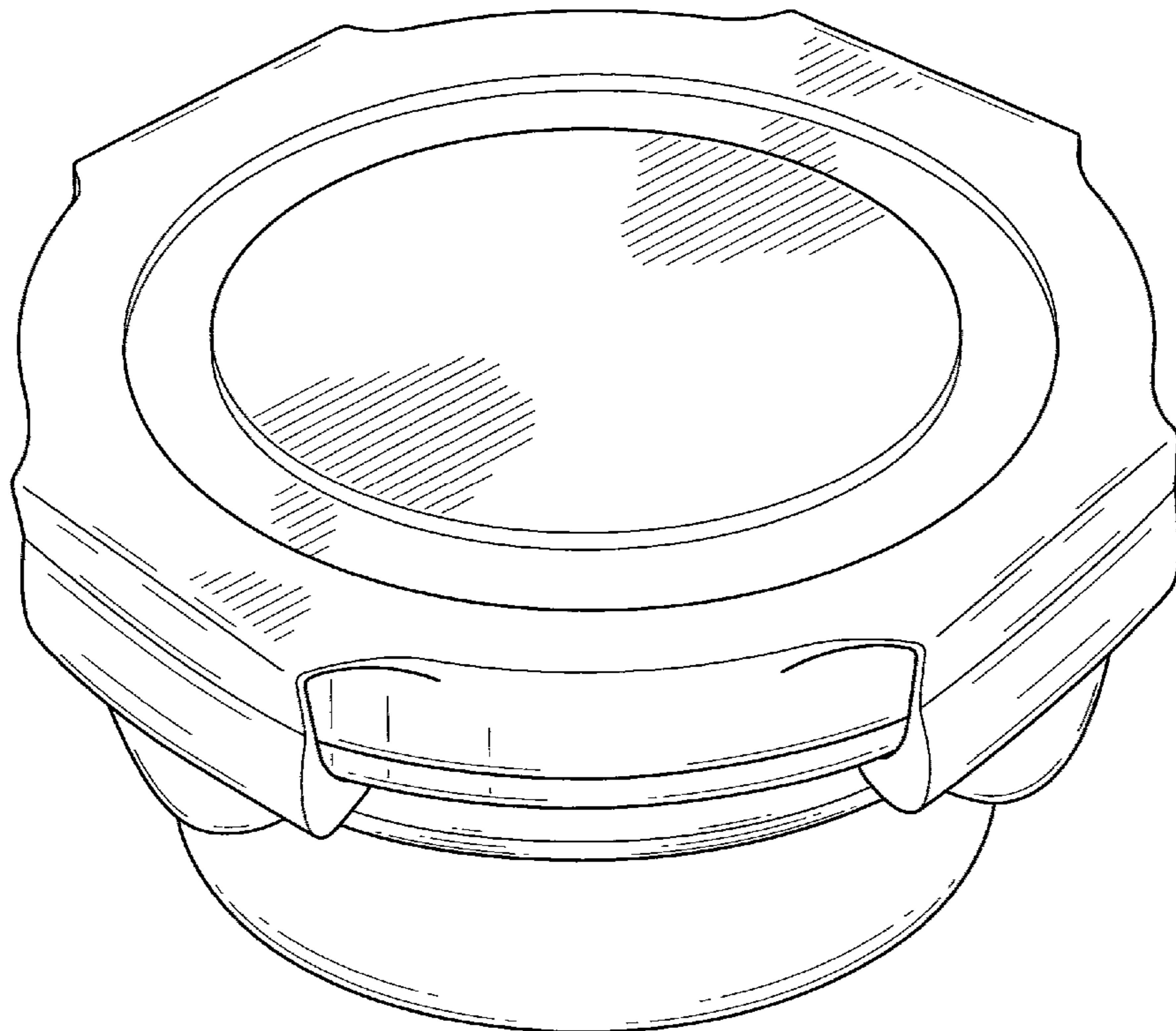
The ornamental design for a food container, as shown and described.

DESCRIPTION

FIG. 1 is a front perspective view of an embodiment of a food container according to the new design;
FIG. 2 is a front view of the food container shown in FIG. 1;
FIG. 3 is a back view of the food container shown in FIG. 1;
FIG. 4 is a right view of the food container shown in FIG. 1;
FIG. 5 is a left view of the food container shown in FIG. 1;
FIG. 6 is a top view of the food container shown in FIG. 1;
and,
FIG. 7 is a bottom view of the food container shown in FIG. 1.

The broken lines are for illustrative purposes and form no part of the present invention.

1 Claim, 7 Drawing Sheets



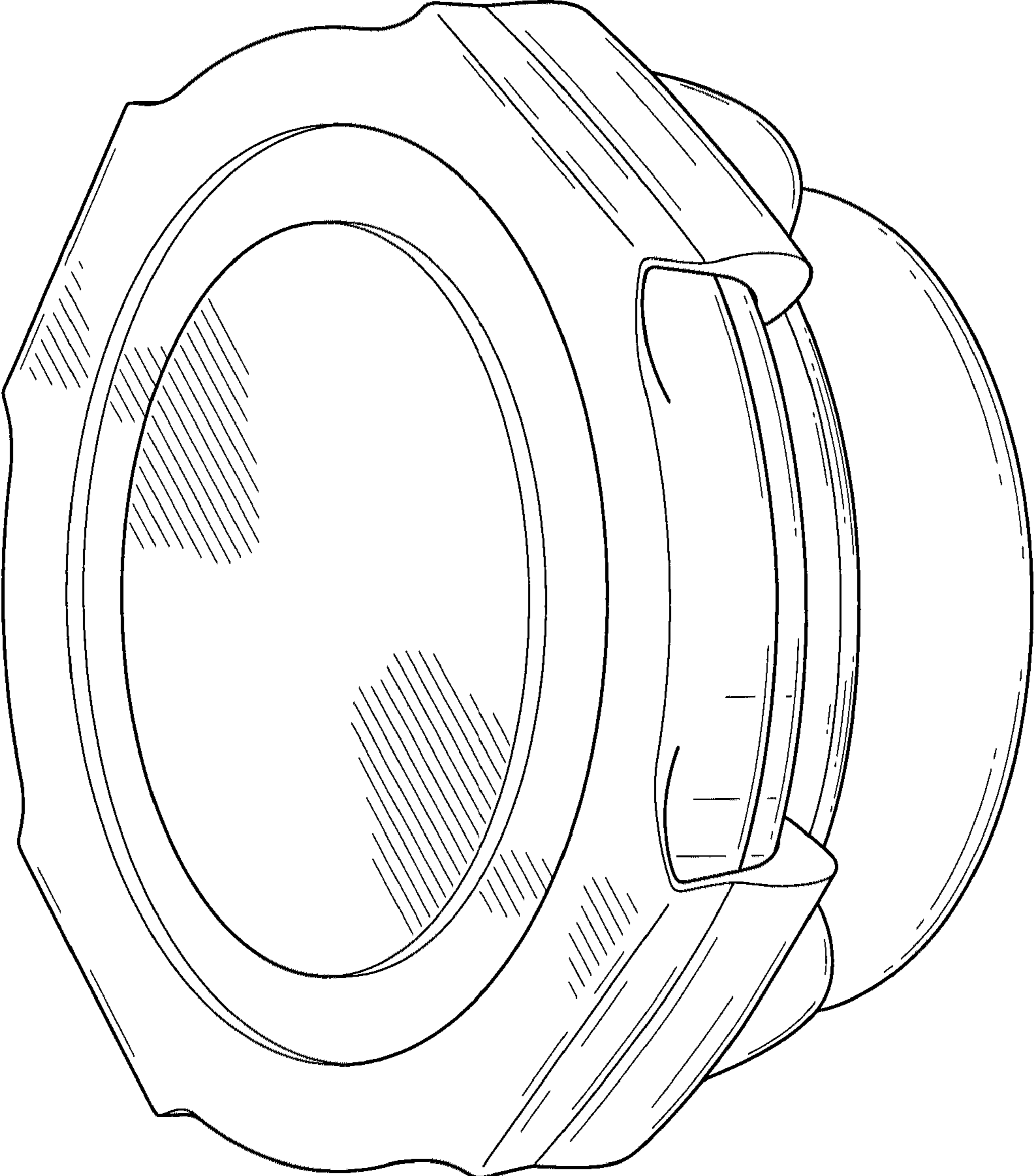


FIG. 1

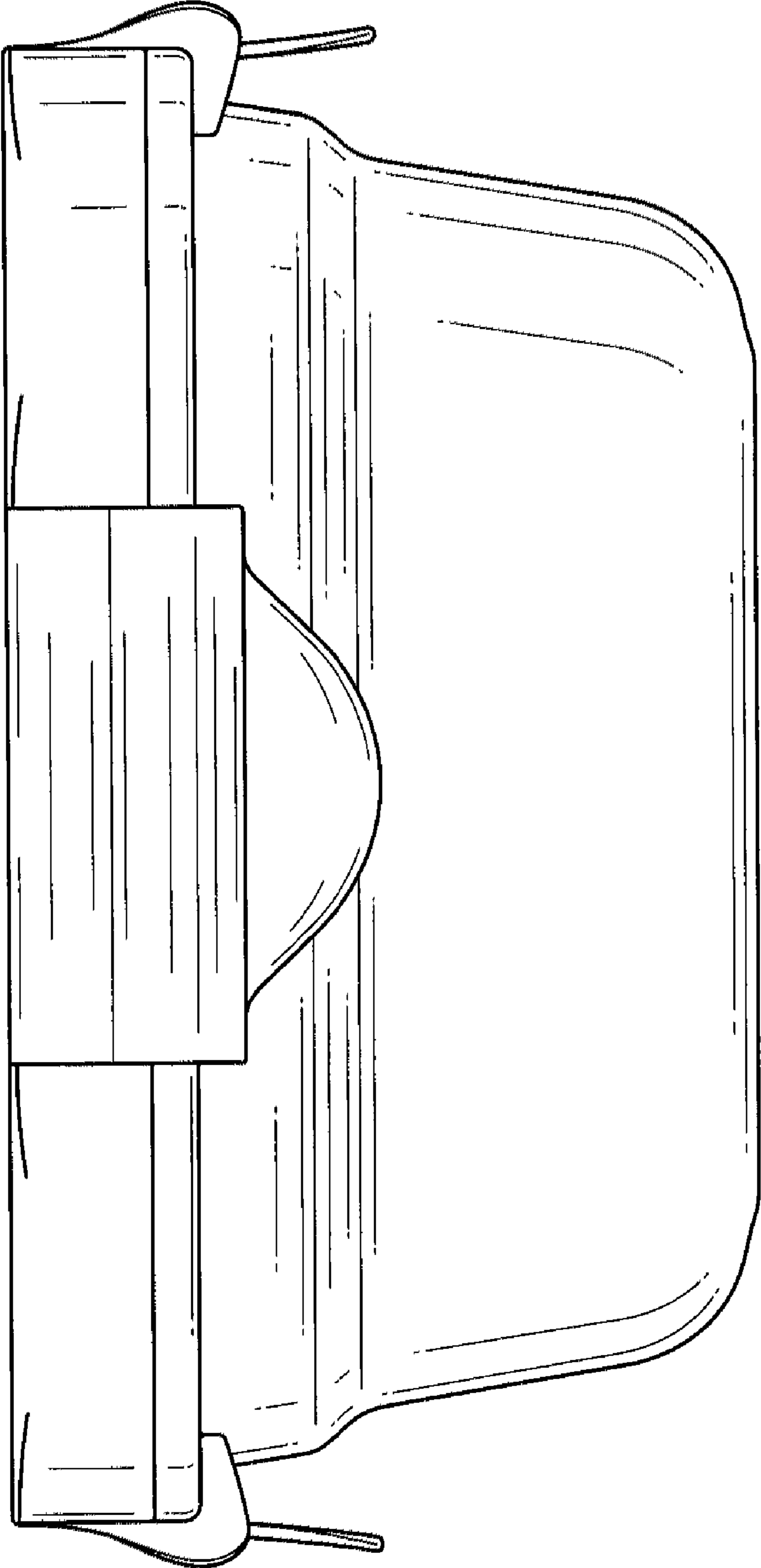


FIG. 2

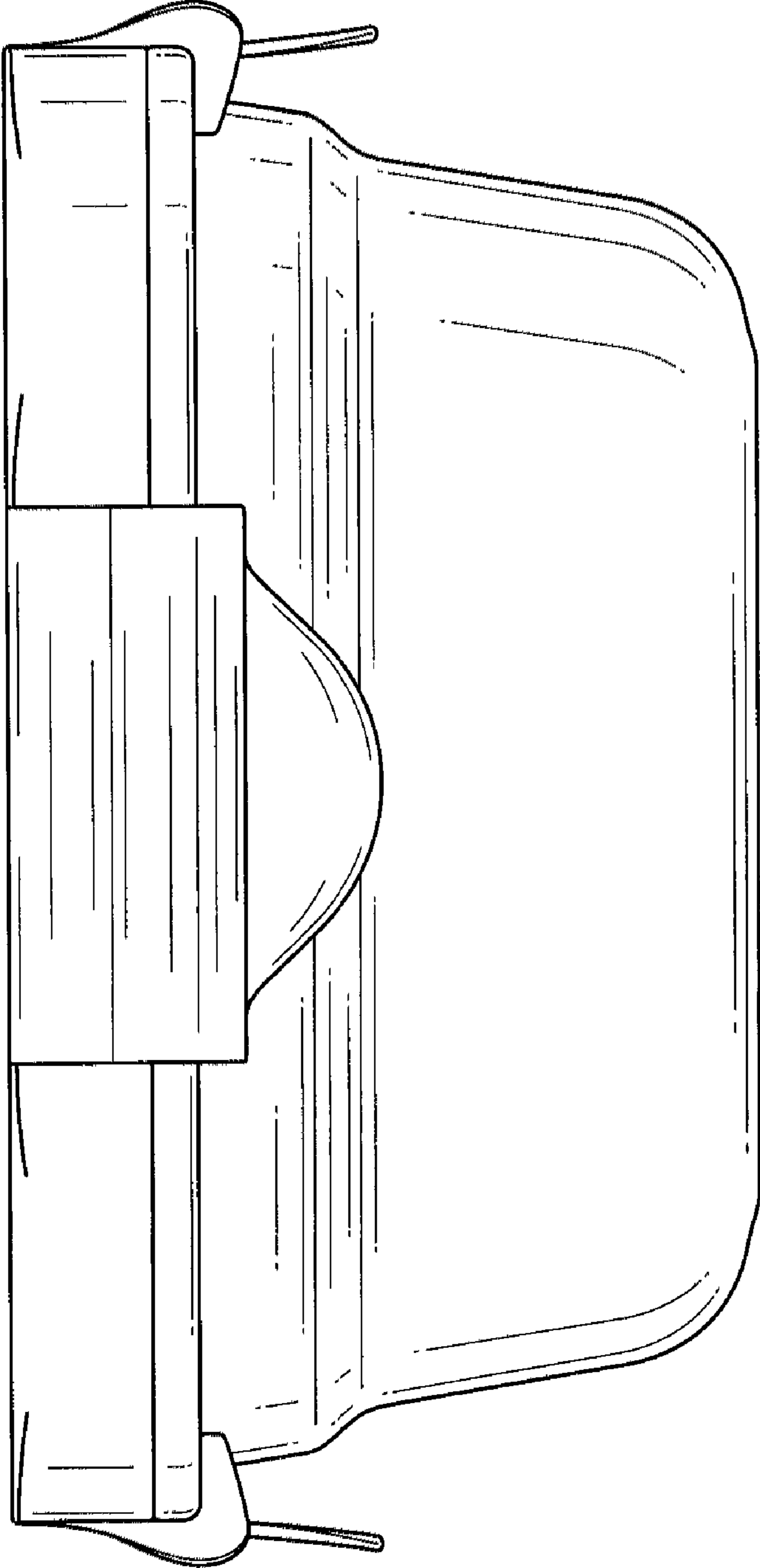


FIG. 3

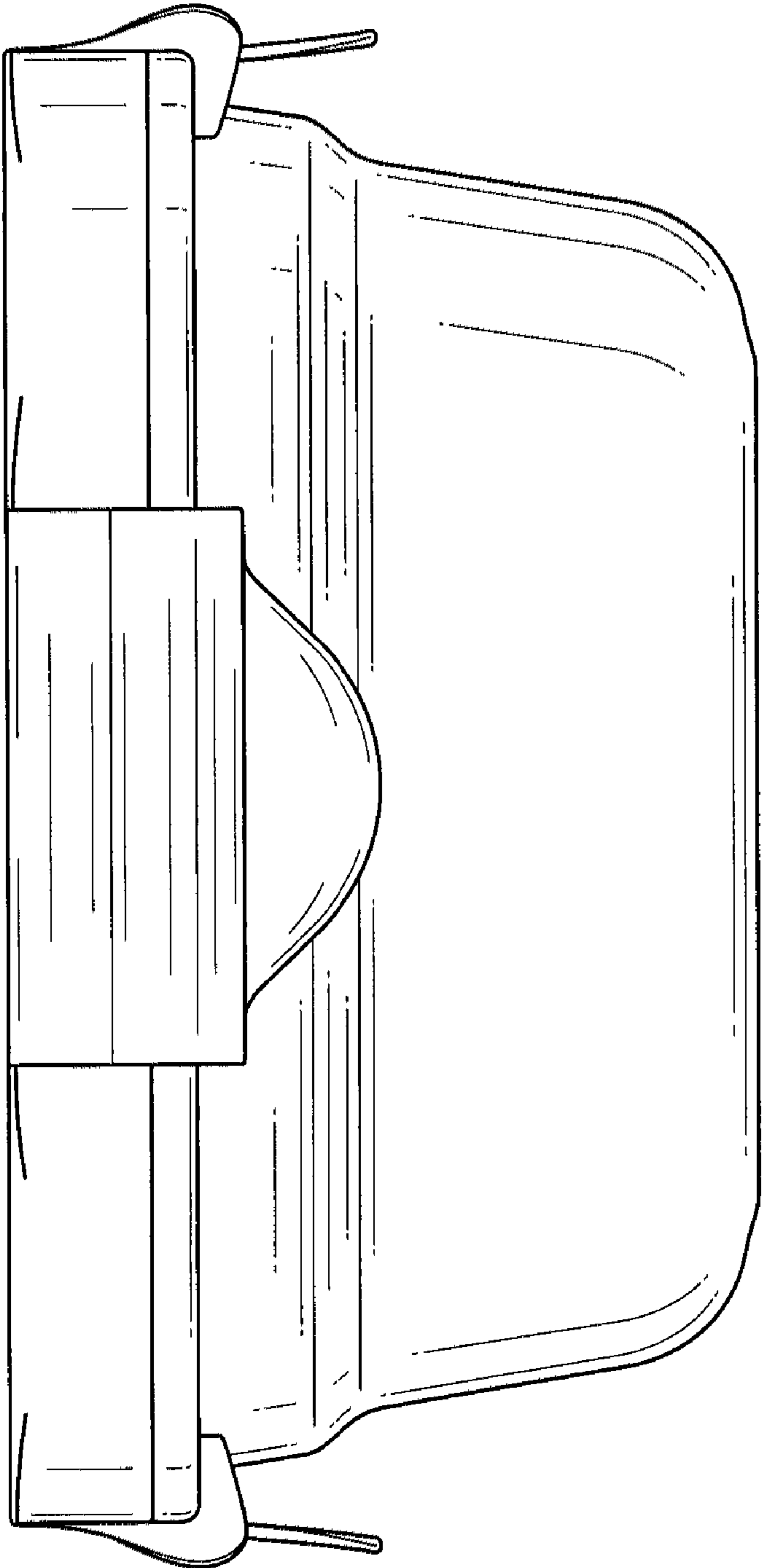


FIG. 4

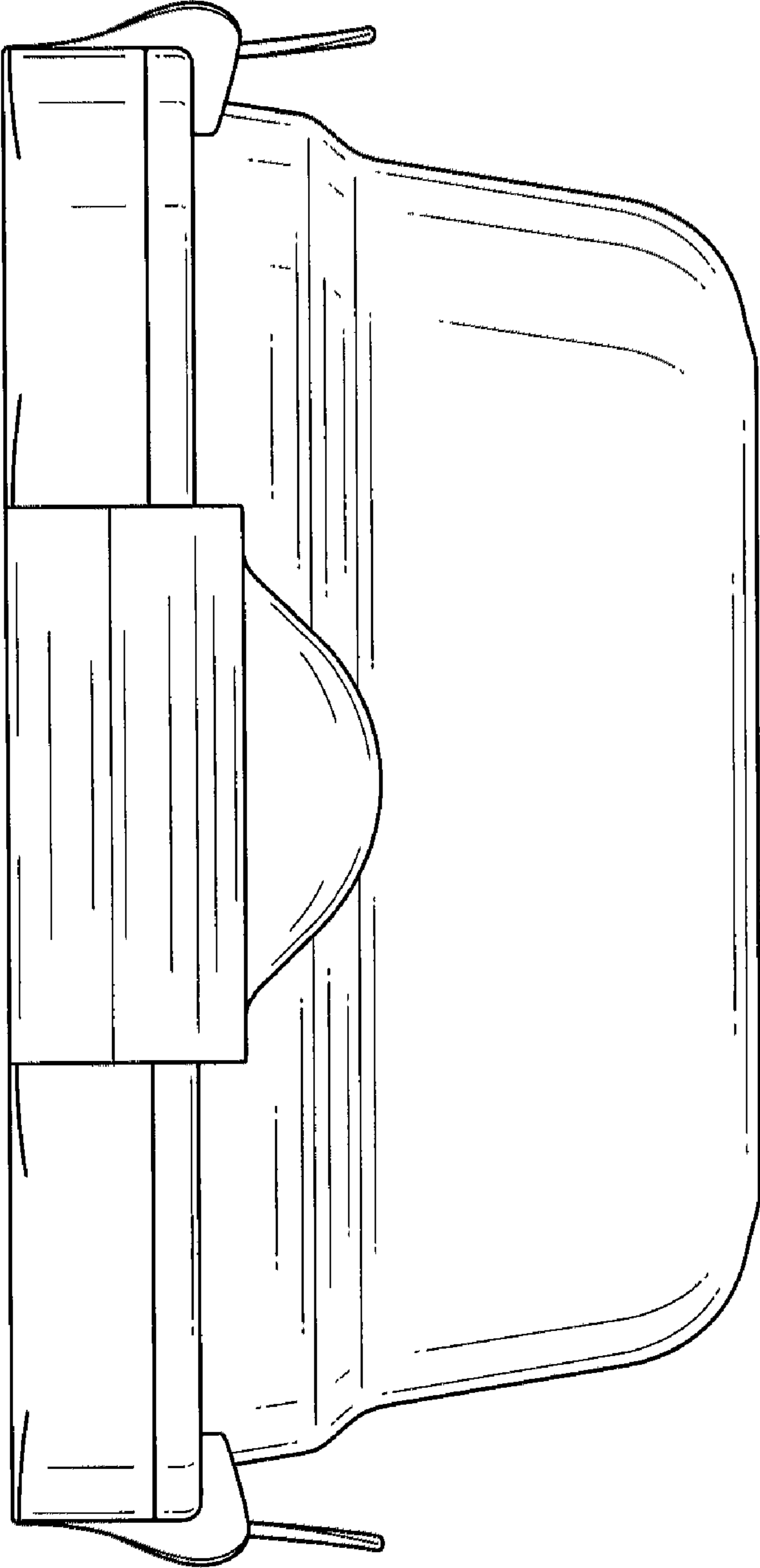


FIG. 5

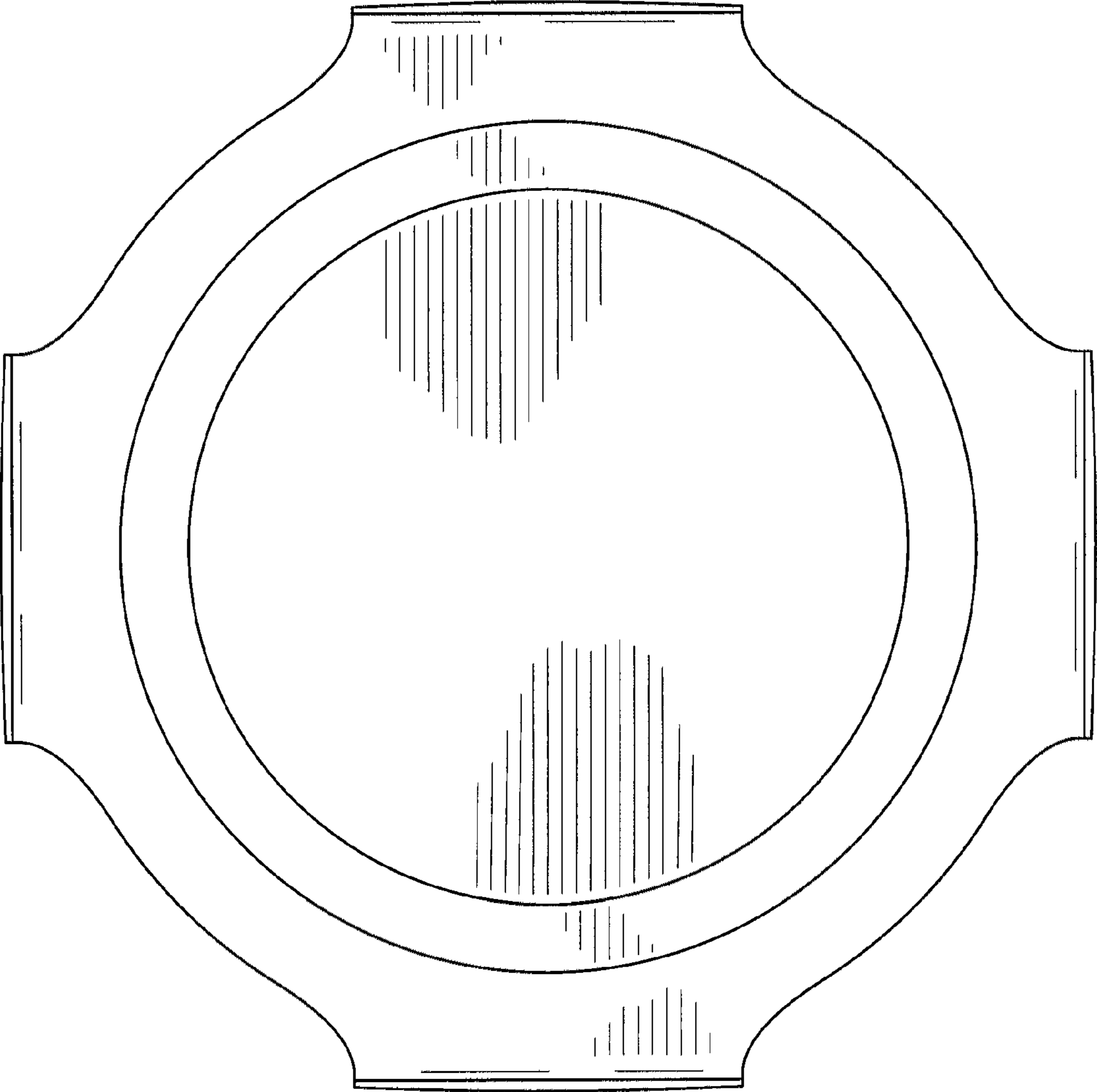


FIG. 6

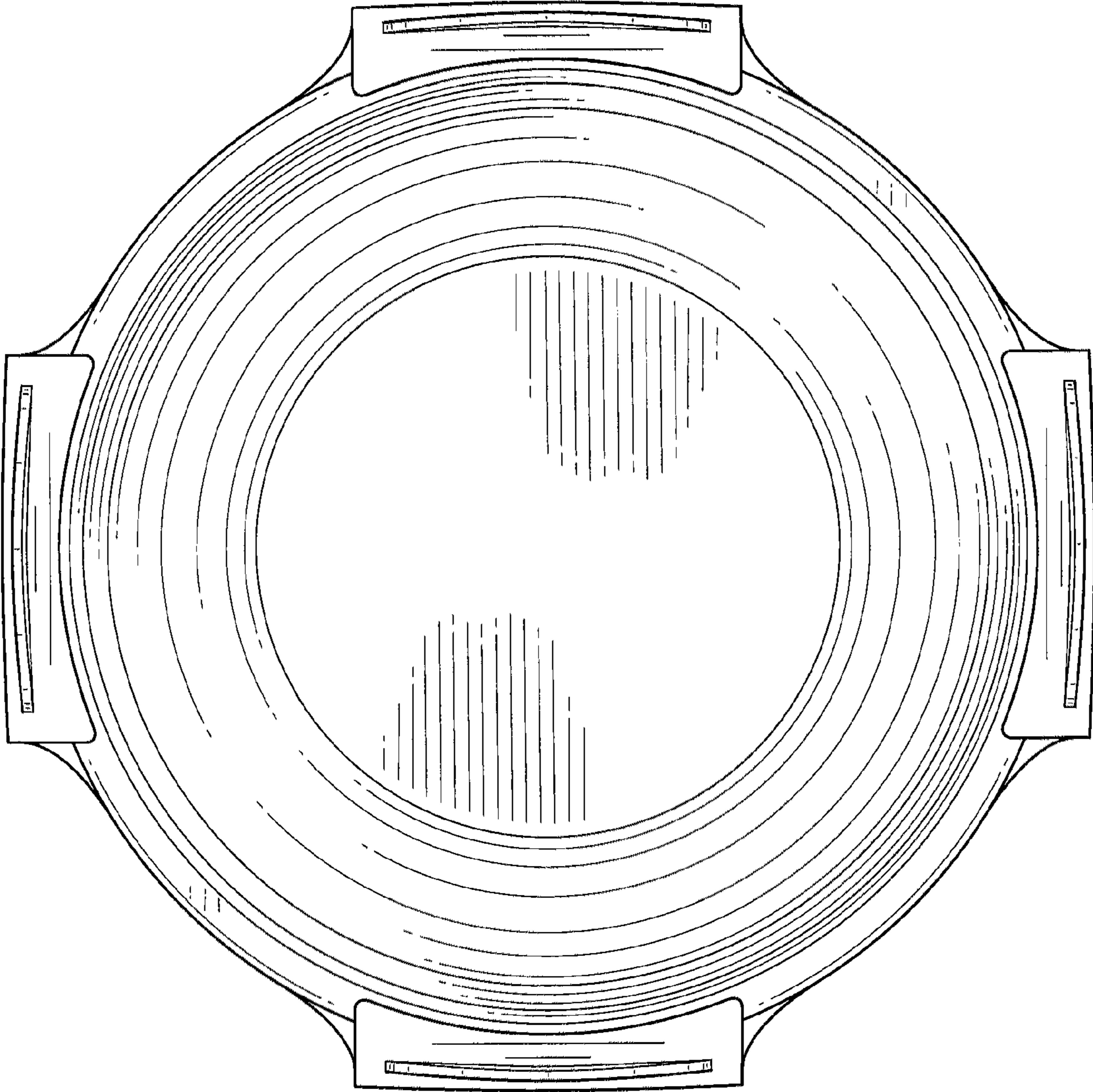


FIG. 7