

US00D660657S

(12) **United States Design Patent**
Picozza et al.

(10) **Patent No.:** **US D660,657 S**

(45) **Date of Patent:** **** May 29, 2012**

(54) **PORTABLE FOOD VESSEL**

(75) Inventors: **Augusto Picozza**, Boca Raton, FL (US);
Adam Day, Boynton Beach, FL (US);
Larry Randall, Coral Springs, FL (US);
Brooks Rorke, Guilford, CT (US)

(73) Assignee: **Sunbeam Products, Inc.**, Boca Raton,
FL (US)

(**) Term: **14 Years**

(21) Appl. No.: **29/387,715**

(22) Filed: **Mar. 17, 2011**

(51) **LOC (9) Cl.** **07-01**

(52) **U.S. Cl.** **D7/629**

(58) **Field of Classification Search** D7/538,
D7/542-543, 545, 547, 601-602, 605, 608,
D7/709, 629-630, 323, 354, 358, 361, 368;
D9/529-532; 220/573.1, 577, 592.01, 592.2,
220/592.21-592.22

See application file for complete search history.

(56) **References Cited**

U.S. PATENT DOCUMENTS

D180,928 S * 9/1957 Bliss D7/608
D261,088 S * 10/1981 Akimov et al. D7/608

D269,148 S * 5/1983 Trkla et al. D7/608
D306,199 S * 2/1990 Meissner D23/209
D315,476 S * 3/1991 Sun D7/603
D332,549 S * 1/1993 Gerlach D7/360
D372,172 S * 7/1996 Morales Segura D7/608
D494,424 S * 8/2004 Segura D7/608
D527,588 S * 9/2006 de Groote et al. D7/693

* cited by examiner

Primary Examiner — Dana L Meyrow

(74) *Attorney, Agent, or Firm* — Michael J. Corrigan

(57) **CLAIM**

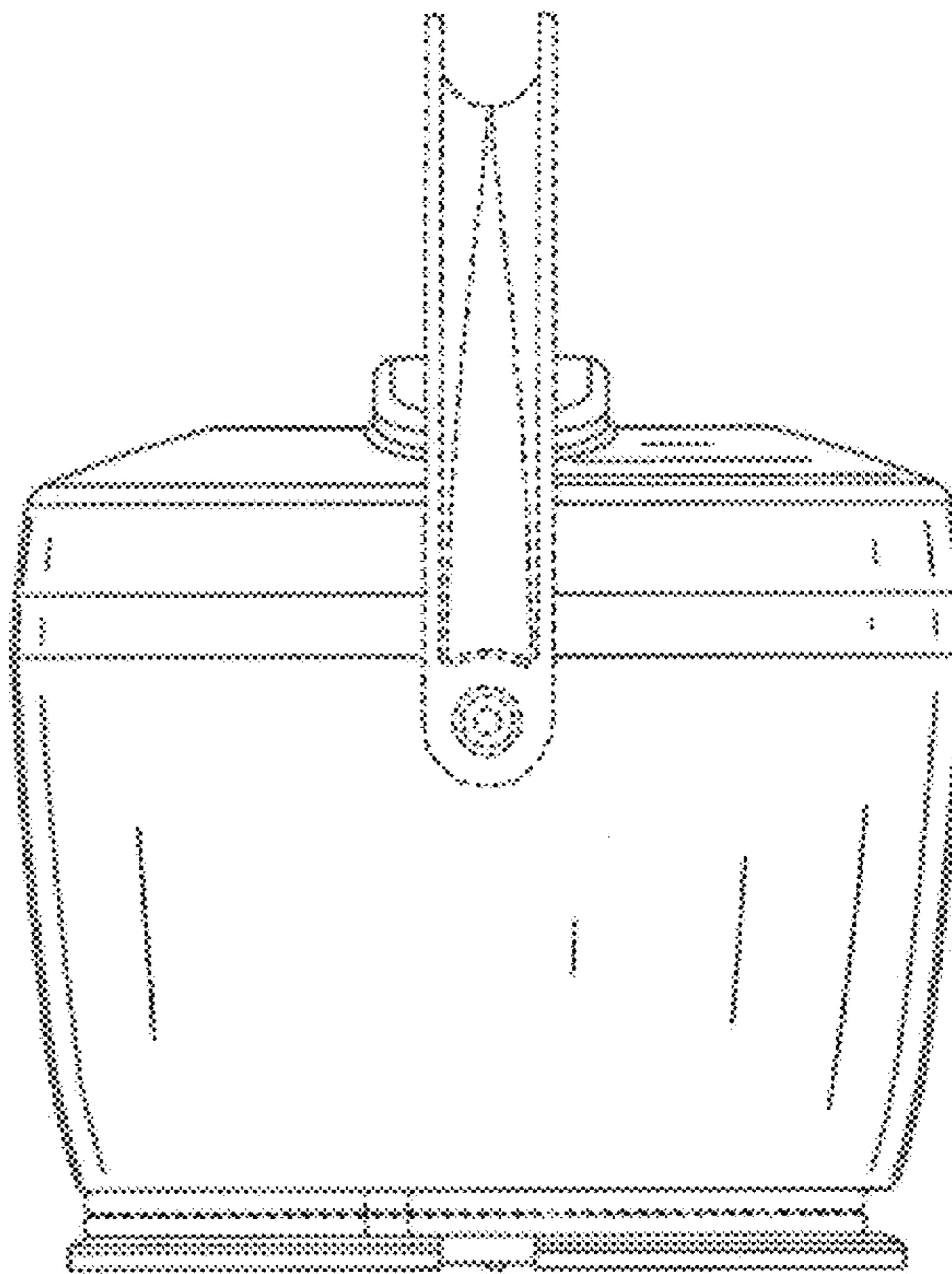
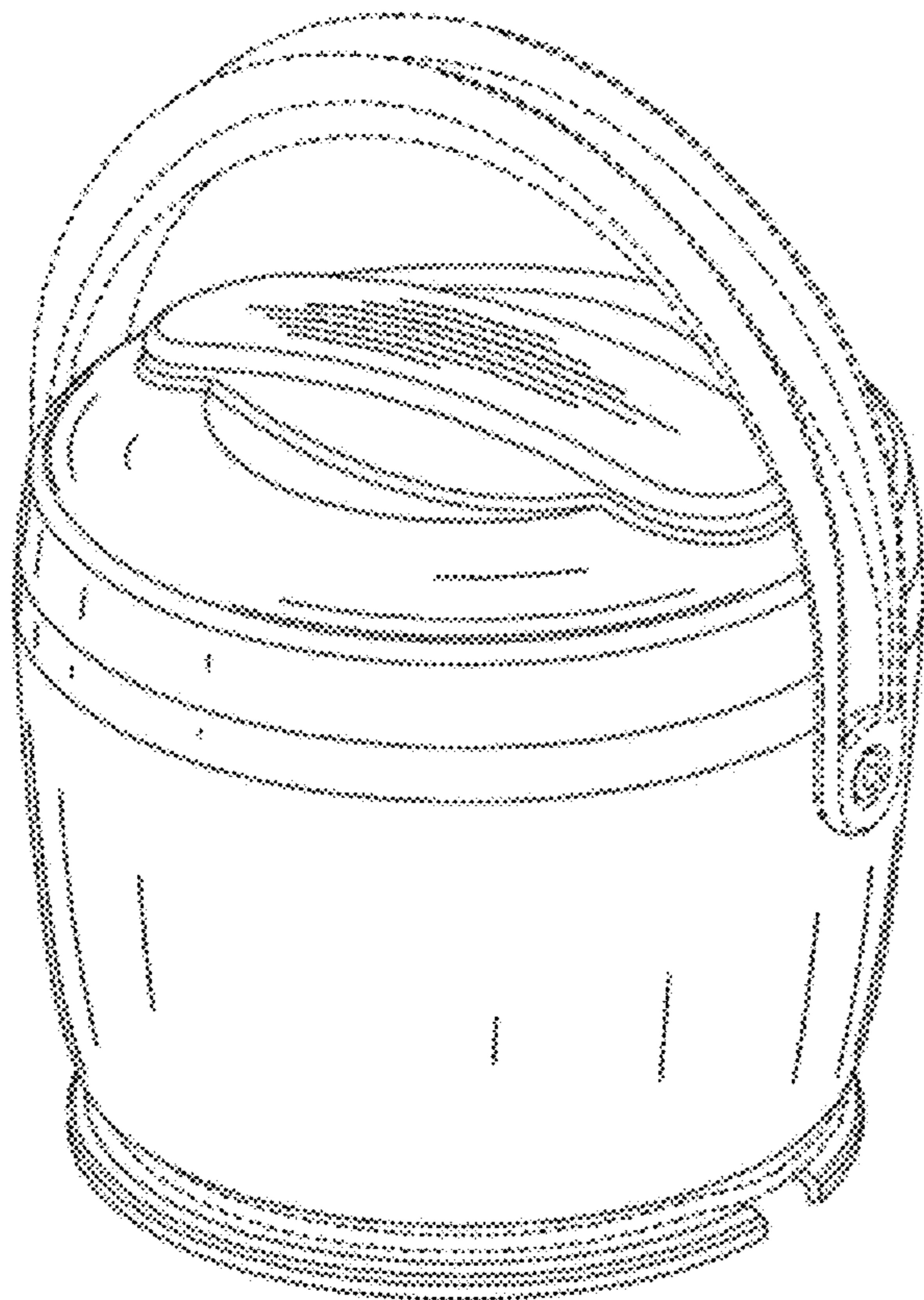
The ornamental design for the portable food vessel, as shown and described.

DESCRIPTION

FIG. 1 is a front perspective view of the portable food vessel; FIG. 2 is a front view thereof; FIG. 3 is a right side view thereof; FIG. 4 is rear side view thereof; FIG. 5 is a left side view thereof; FIG. 6 is a top view thereof; and, FIG. 7 is a bottom view thereof.

The portion shown in dashed lines is shown for illustrative purposes only and forms no part of the claimed design,

1 Claim, 6 Drawing Sheets



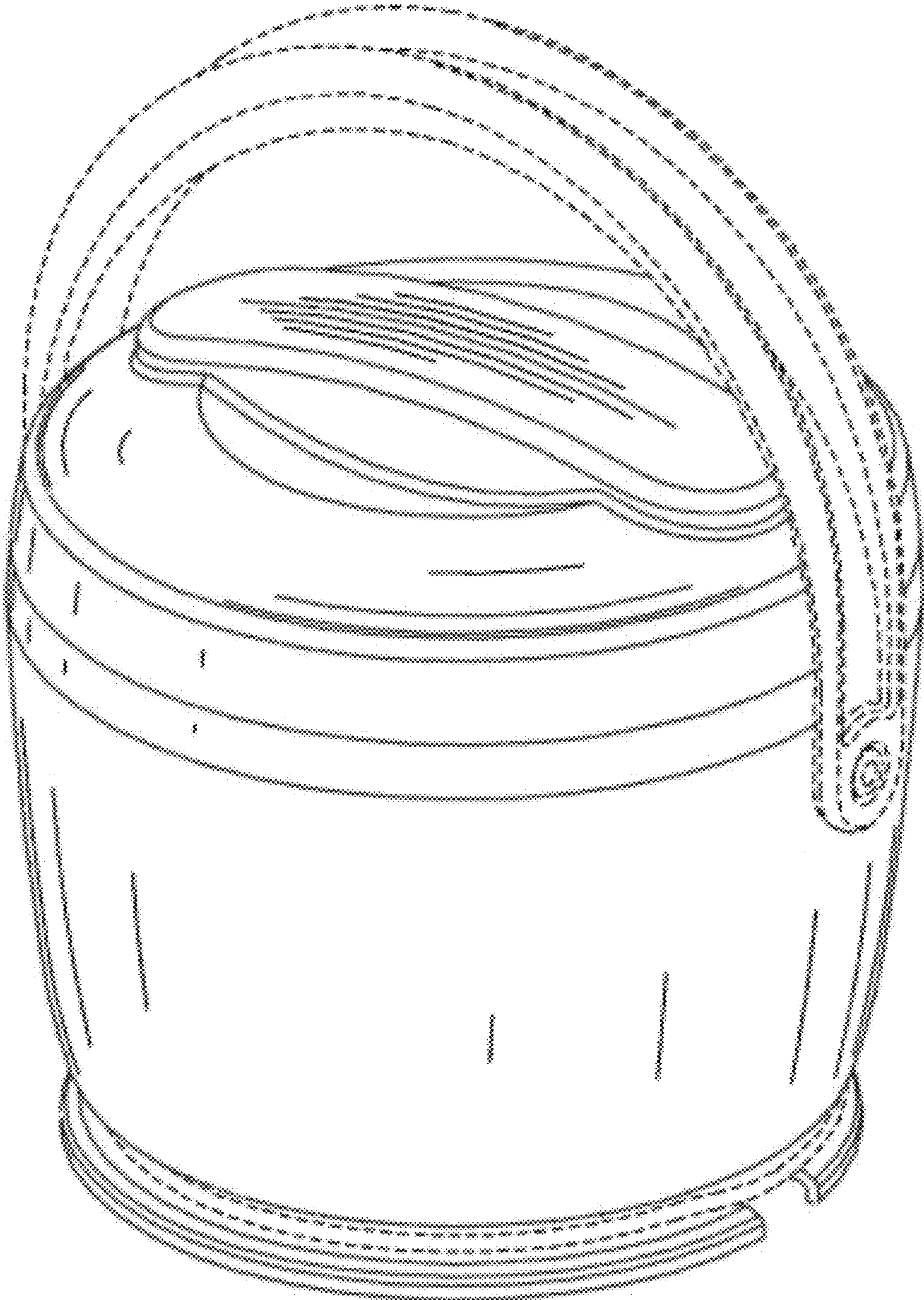


FIG 1

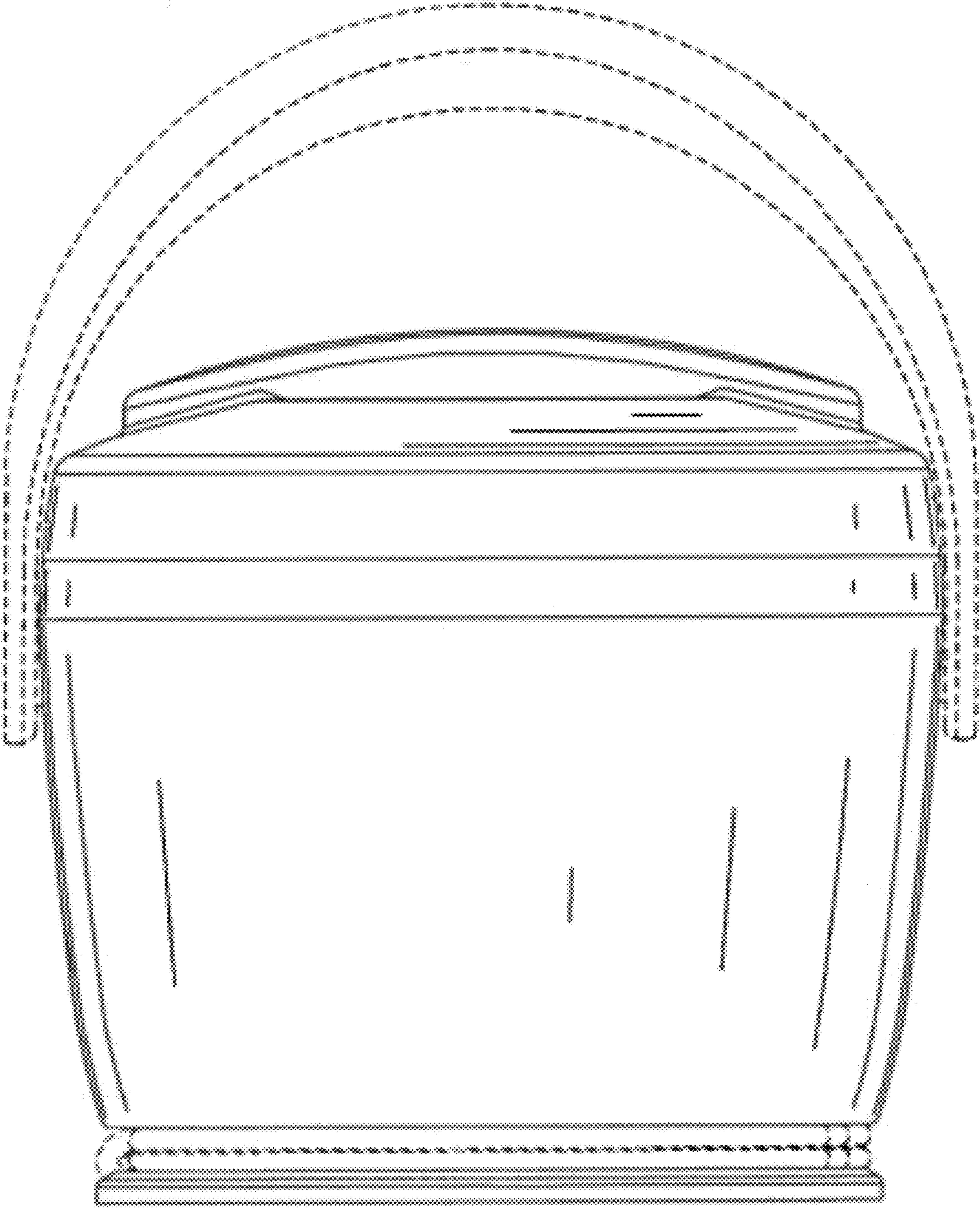


FIG 2

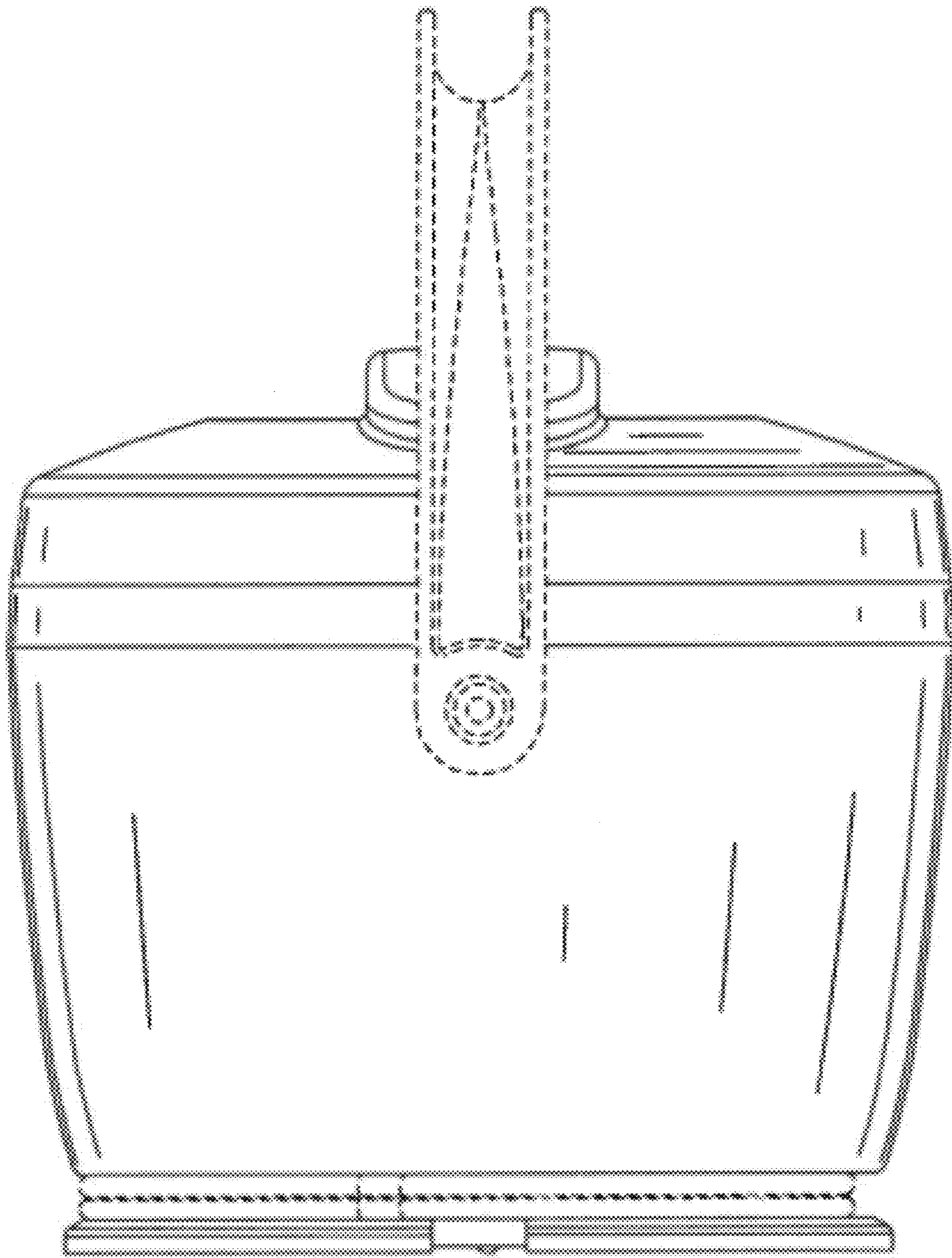


FIG 3

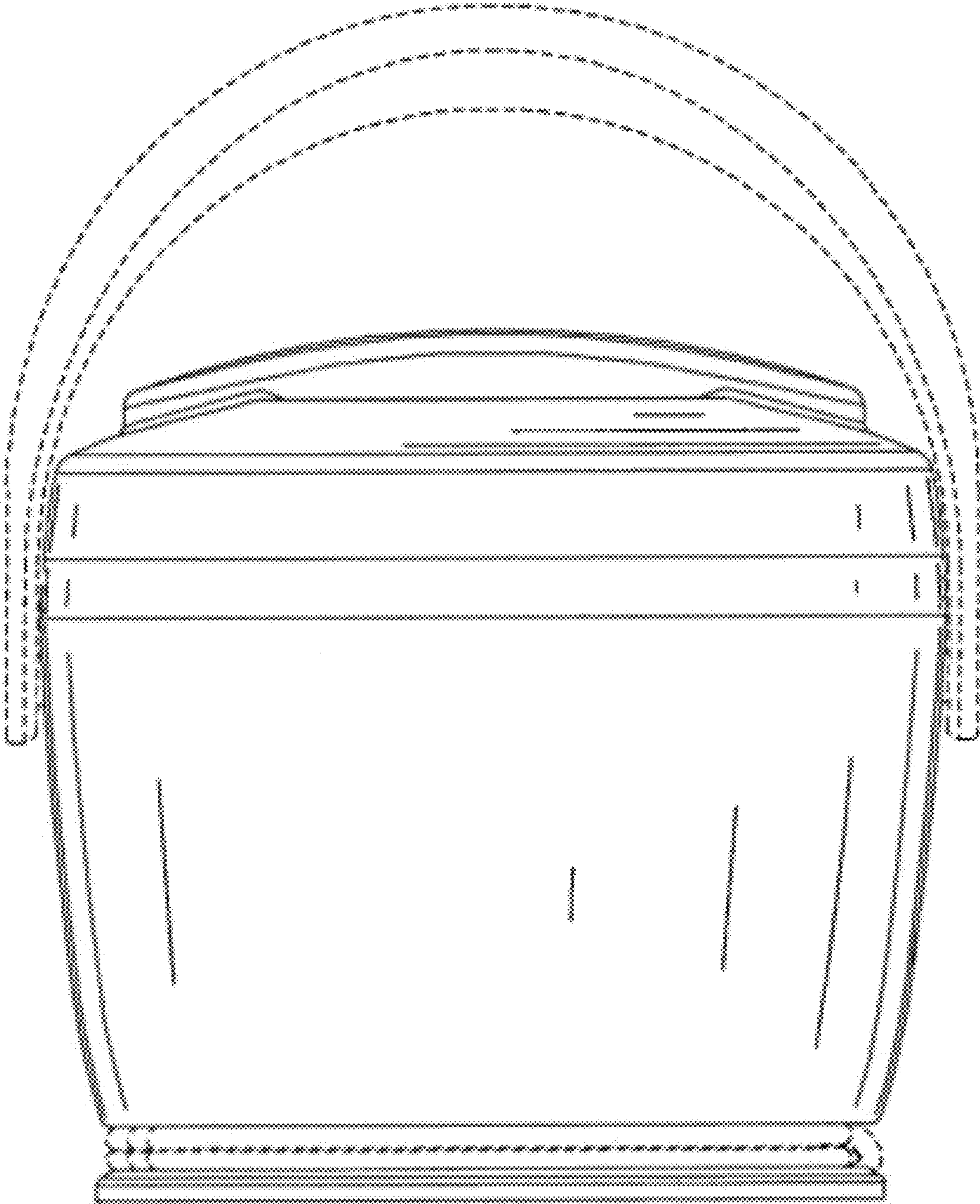


FIG 4

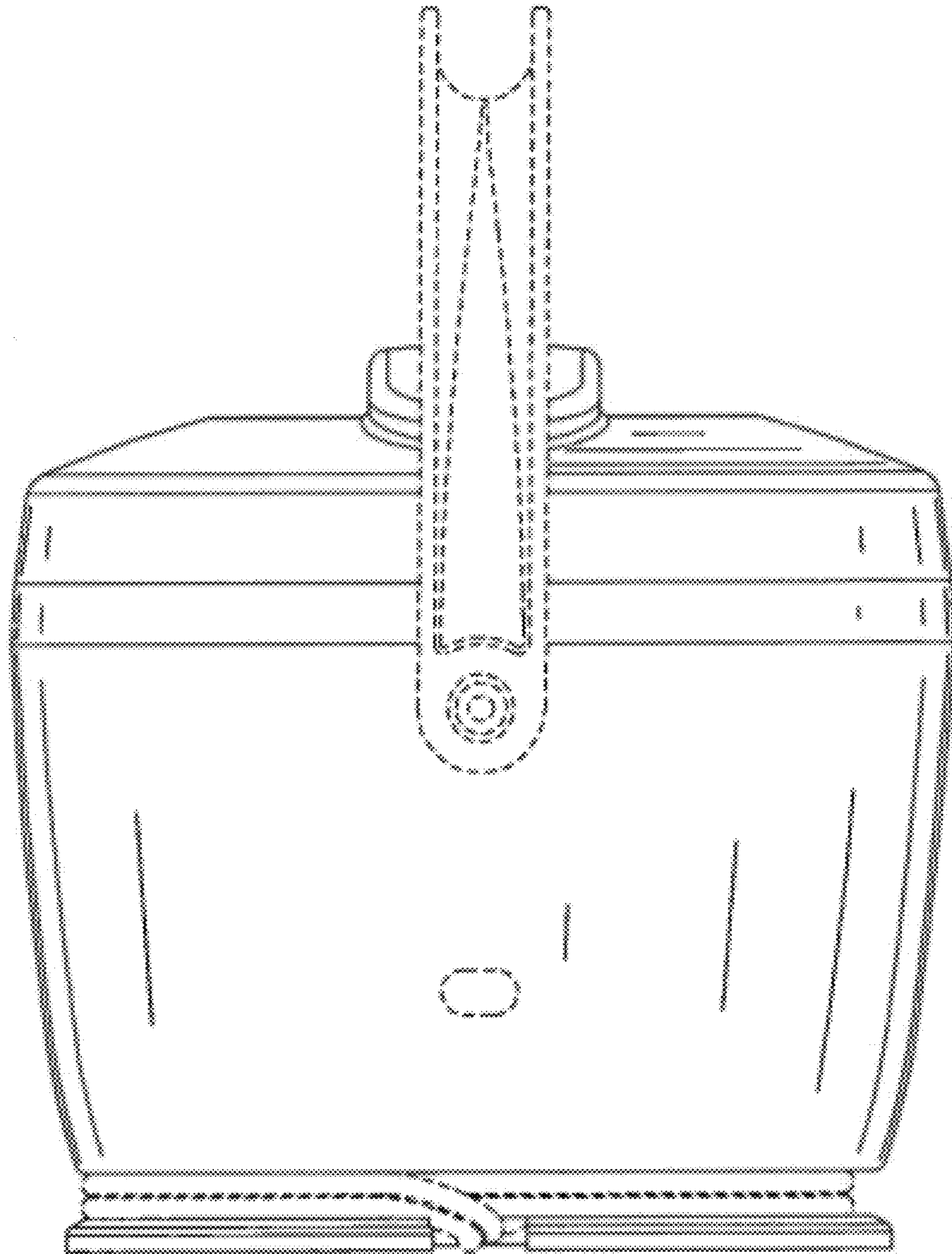


FIG 5

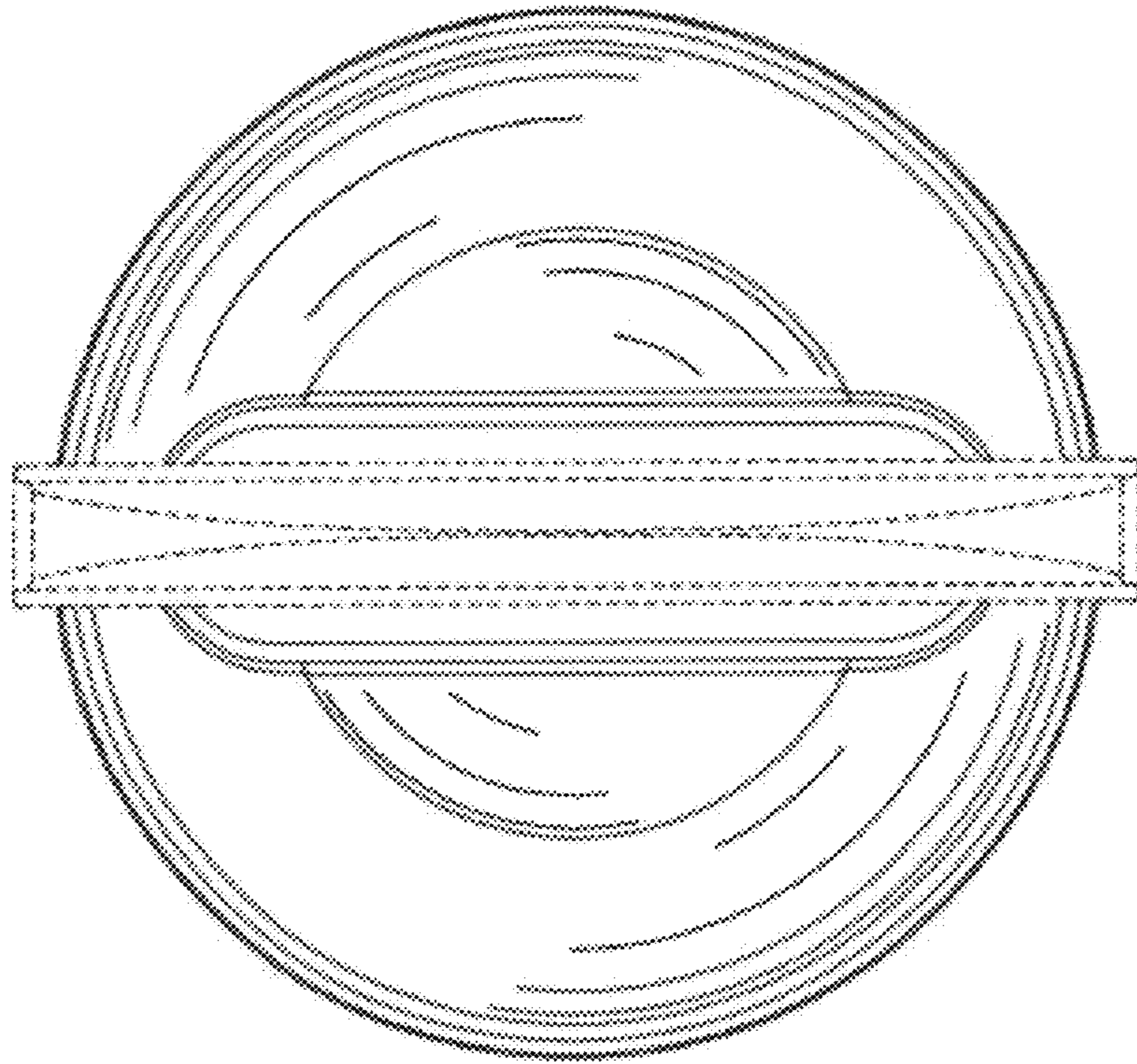


FIG 6

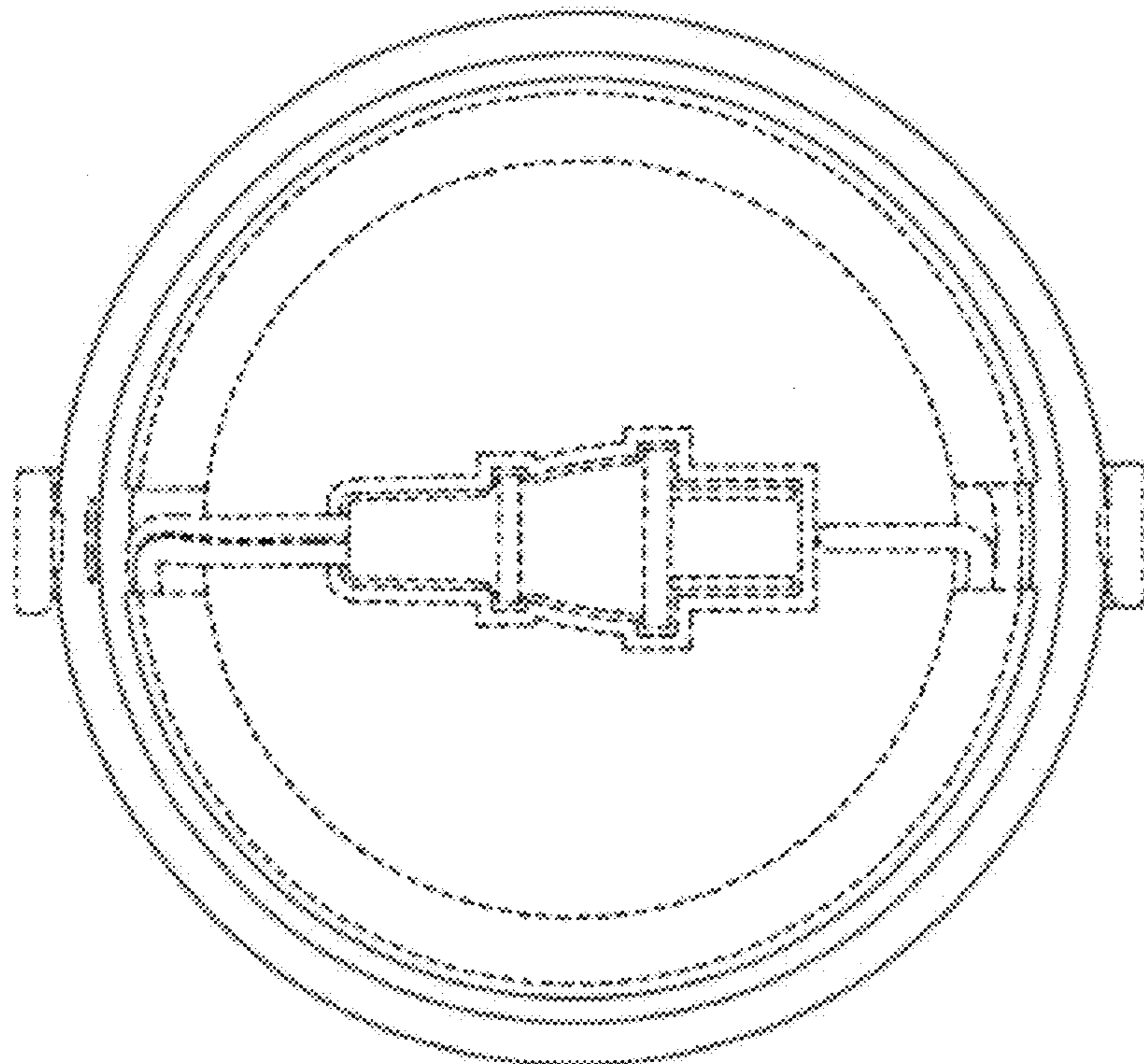


FIG 7