



US00D660656S

(12) **United States Design Patent**
Gilbert

(10) **Patent No.:** **US D660,656 S**

(45) **Date of Patent:** **** May 29, 2012**

(54) **FOOD CONTAINER**

(75) Inventor: **Tyler Sean Gilbert**, Bellevue, WA (US)

(73) Assignee: **Pacific Market International, LLC**,
Seattle, WA (US)

(**) Term: **14 Years**

(21) Appl. No.: **29/382,915**

(22) Filed: **Jan. 10, 2011**

Related U.S. Application Data

(63) Continuation of application No. 29/376,080, filed on
Oct. 1, 2010, now Pat. No. Des. 653,506.

(51) **LOC (9) Cl.** **07-07**

(52) **U.S. Cl.** **D7/629**

(58) **Field of Classification Search** D7/629,
D7/601, 602, 630, 612-615, 538-542; 220/574-575,
220/675, 780-802, 326, 236, 256.1; D9/424-432
See application file for complete search history.

(56) **References Cited**

U.S. PATENT DOCUMENTS

D446,084 S * 8/2001 Schulein D7/629
D506,106 S * 6/2005 Ordiway et al. D7/629

D543,077 S * 5/2007 Kim D7/629
D582,218 S * 12/2008 Curtin D7/629
D584,110 S * 1/2009 Hauser D7/629
D613,598 S * 4/2010 Westphal D9/503

* cited by examiner

Primary Examiner — Terry Wallace

(74) *Attorney, Agent, or Firm* — Davis Wright Tremaine
LLP; George C. Rondeau, Jr.

(57) **CLAIM**

The ornamental design for a food container, as shown and
described.

DESCRIPTION

FIG. 1 is a top, front perspective view of a food container
showing my new design.

FIG. 2 is a top plan view thereof.

FIG. 3 is a front elevation view thereof.

FIG. 4 is a rear elevation view thereof.

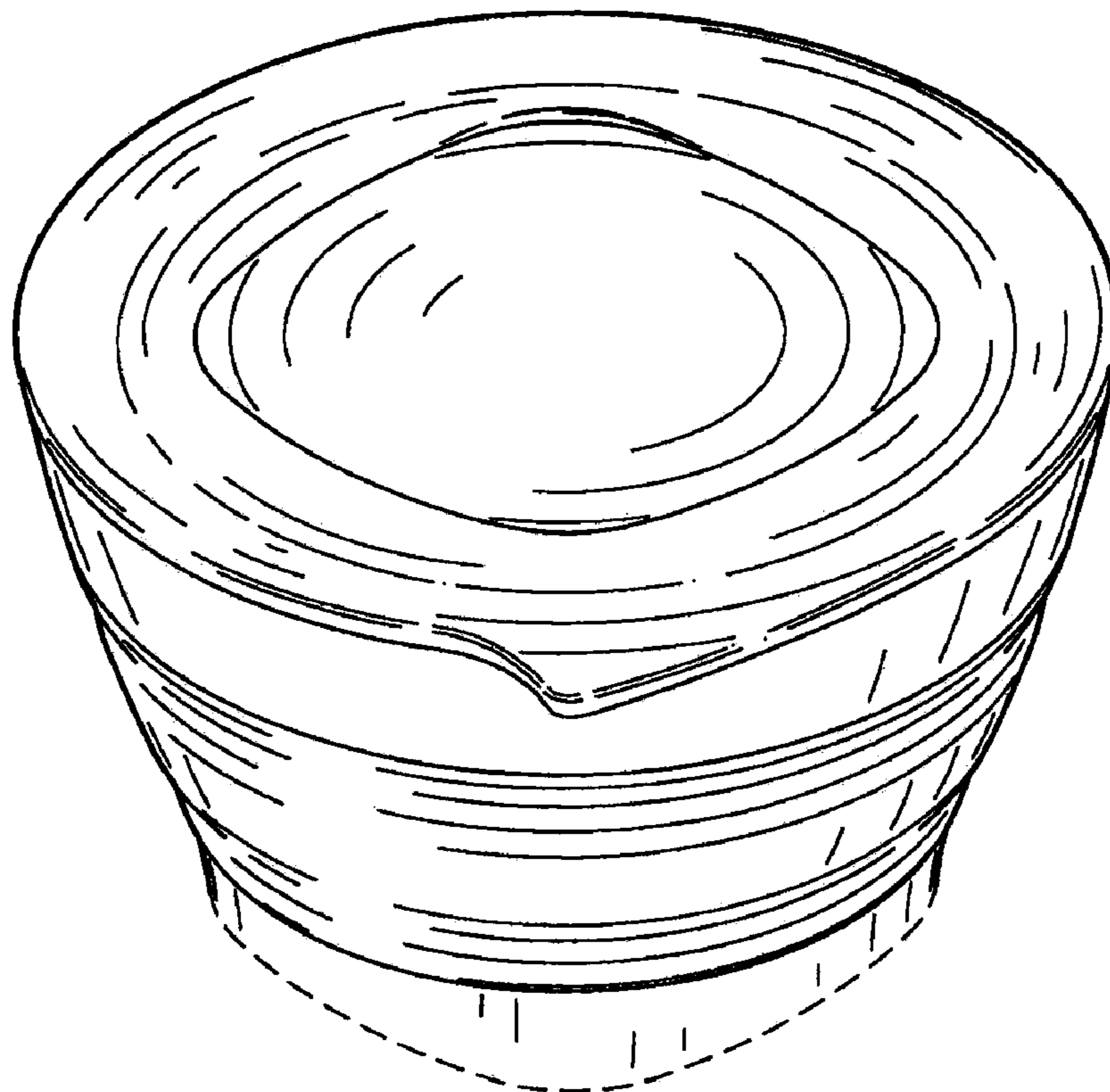
FIG. 5 is a left side elevation view thereof.

FIG. 6 is a right side elevation view thereof; and,

FIG. 7 is a bottom plan view thereof.

The broken lines are for illustrative purposes only and form
no part of the claimed design.

1 Claim, 4 Drawing Sheets



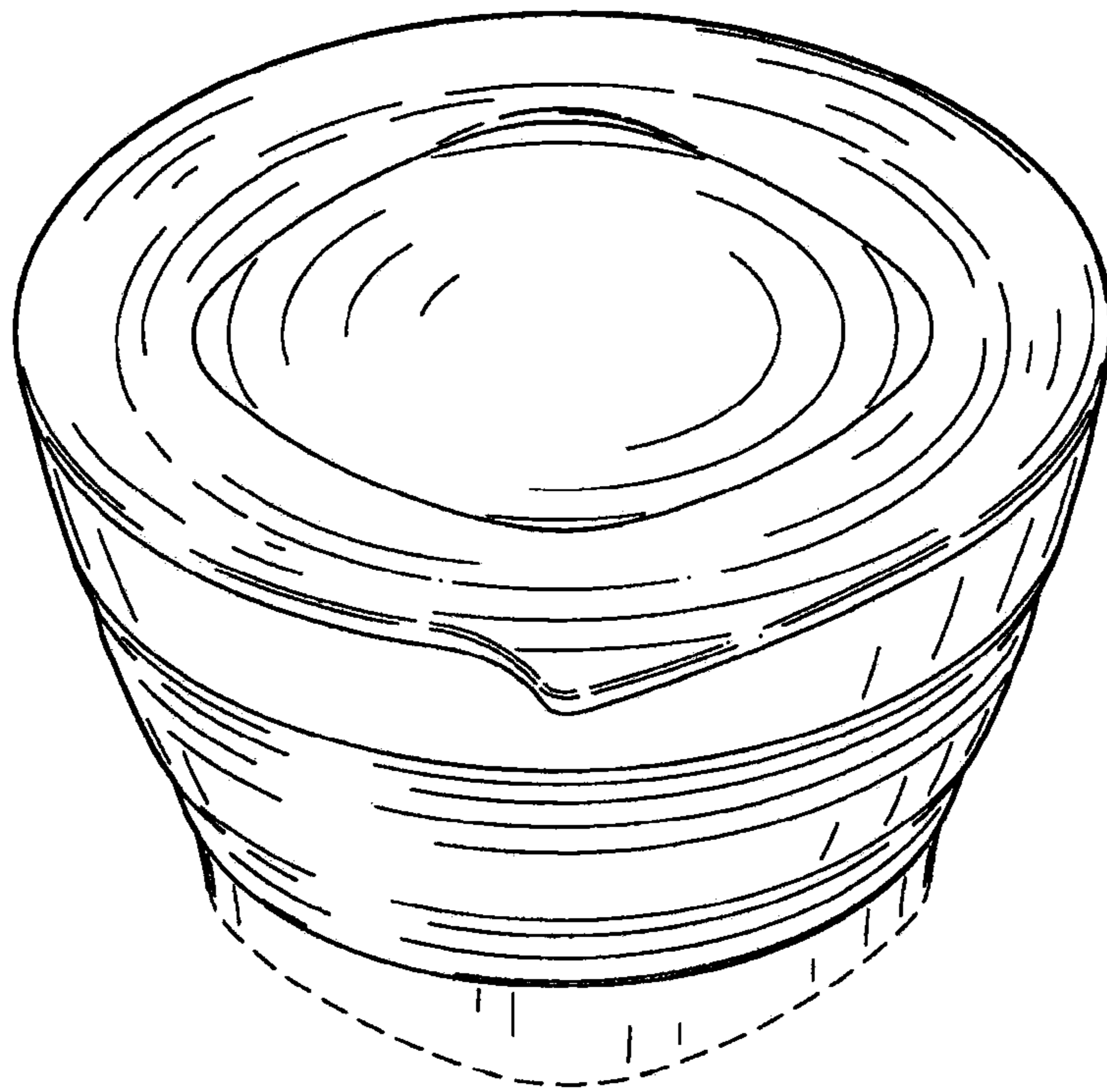


Fig. 1

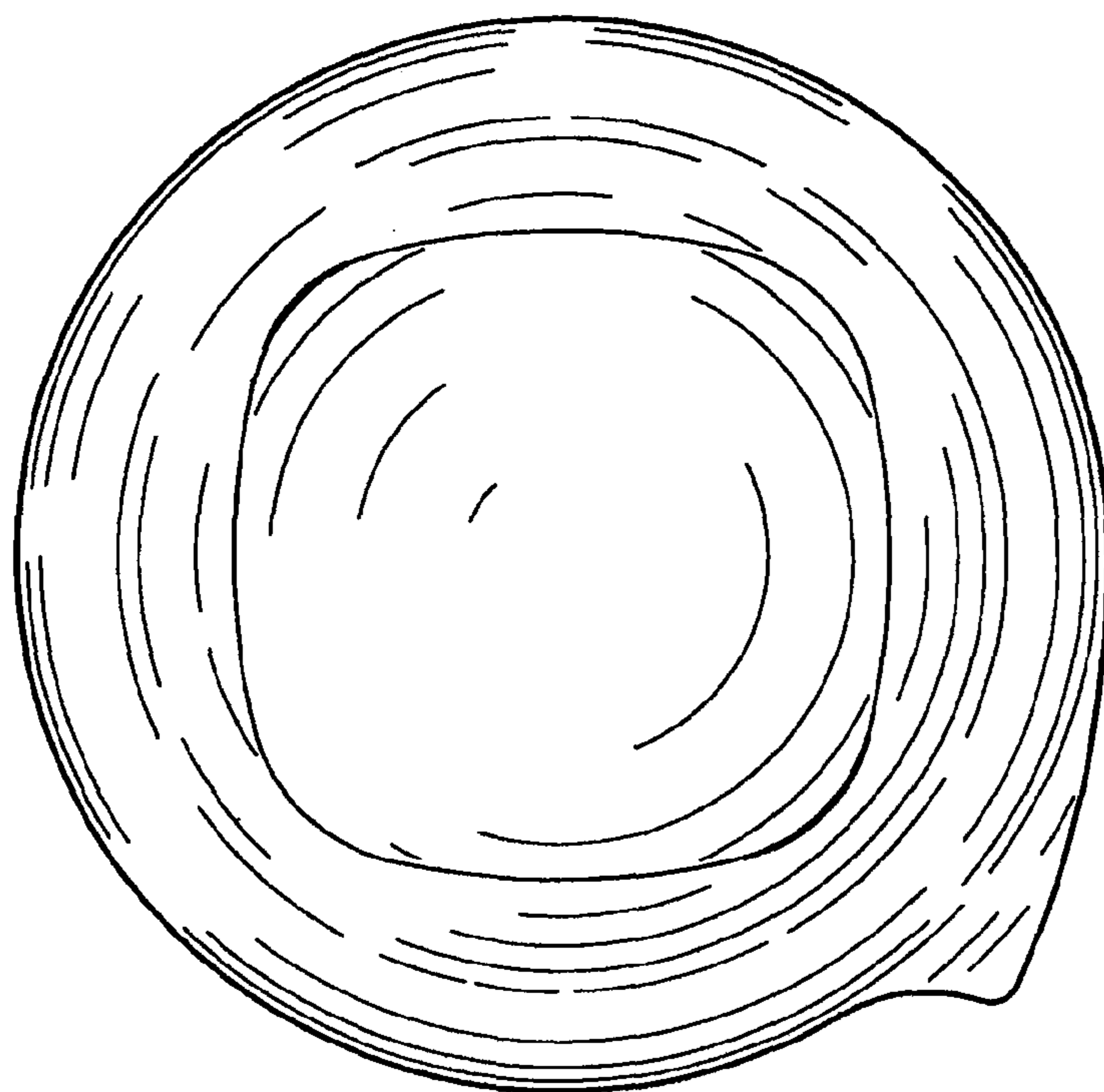


Fig. 2

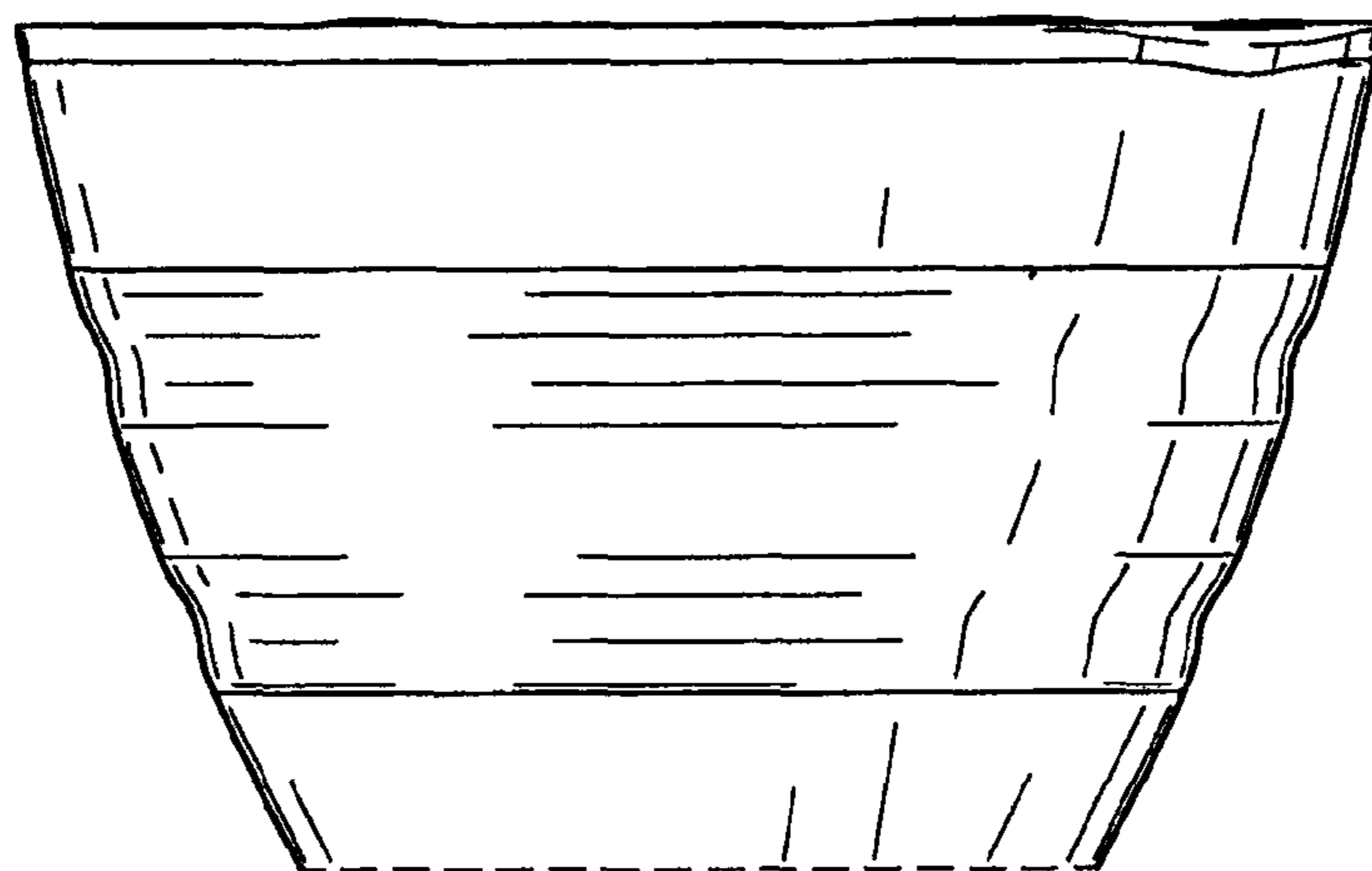


Fig. 3

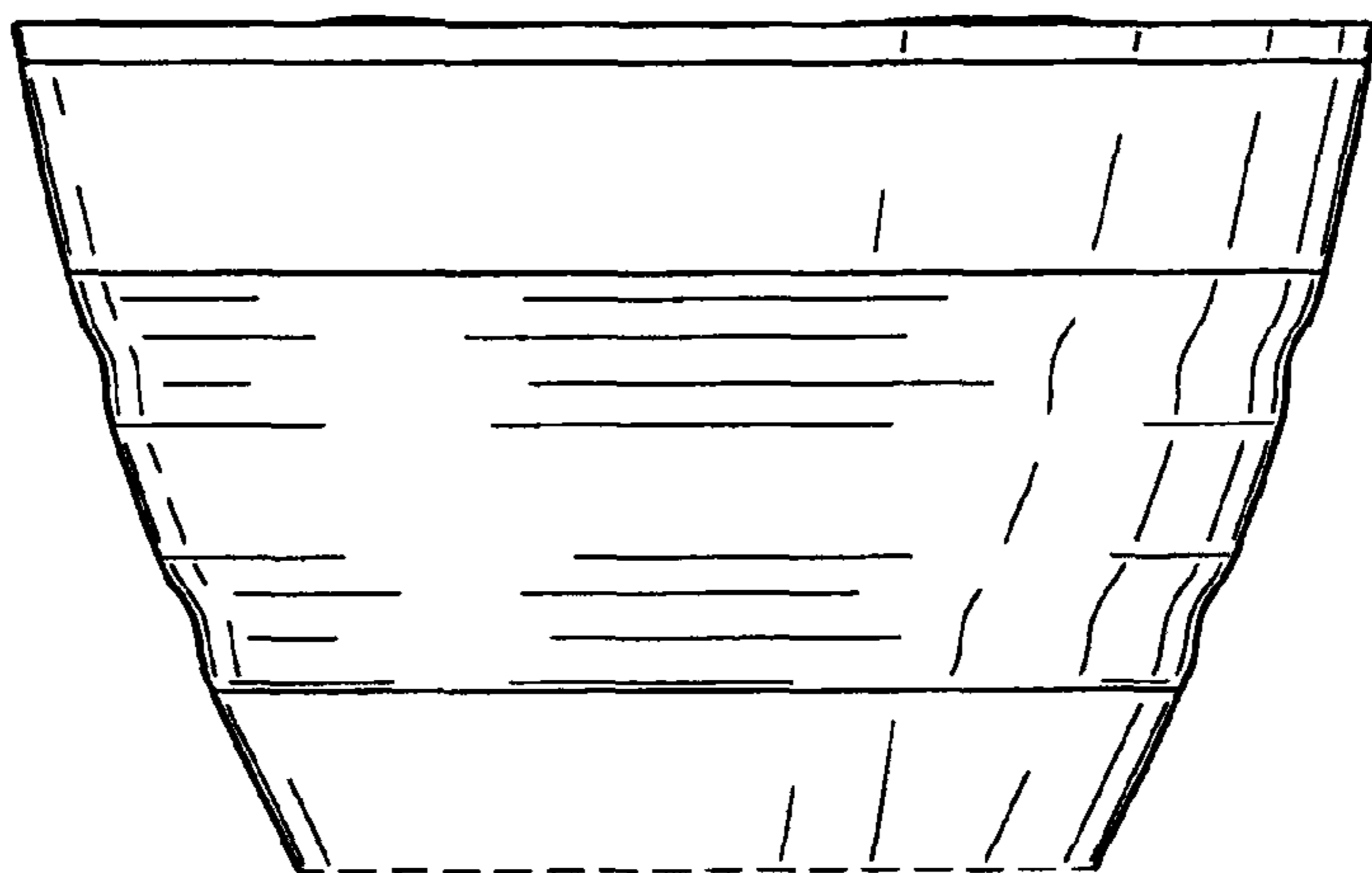


Fig. 4

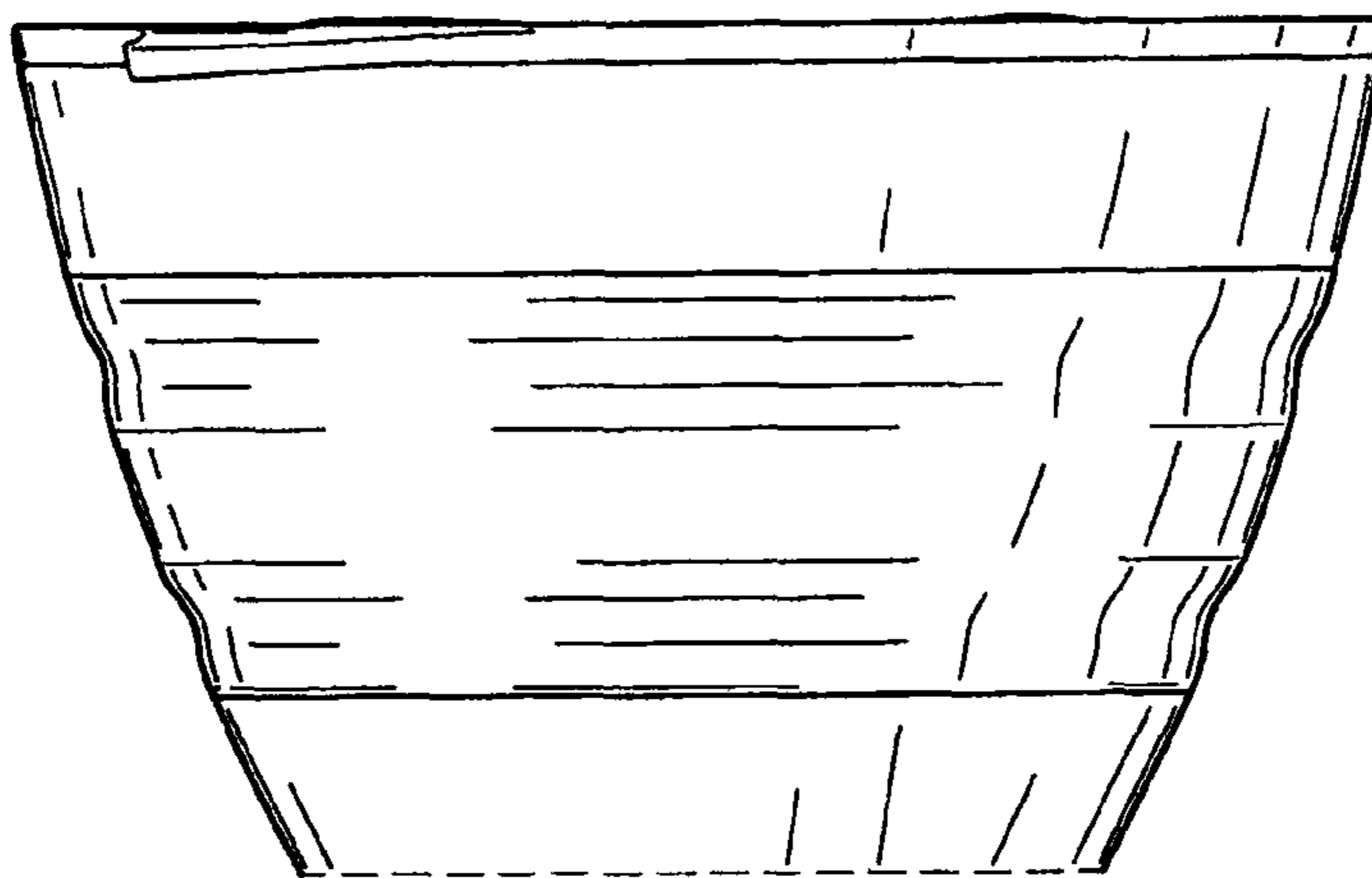


Fig. 5

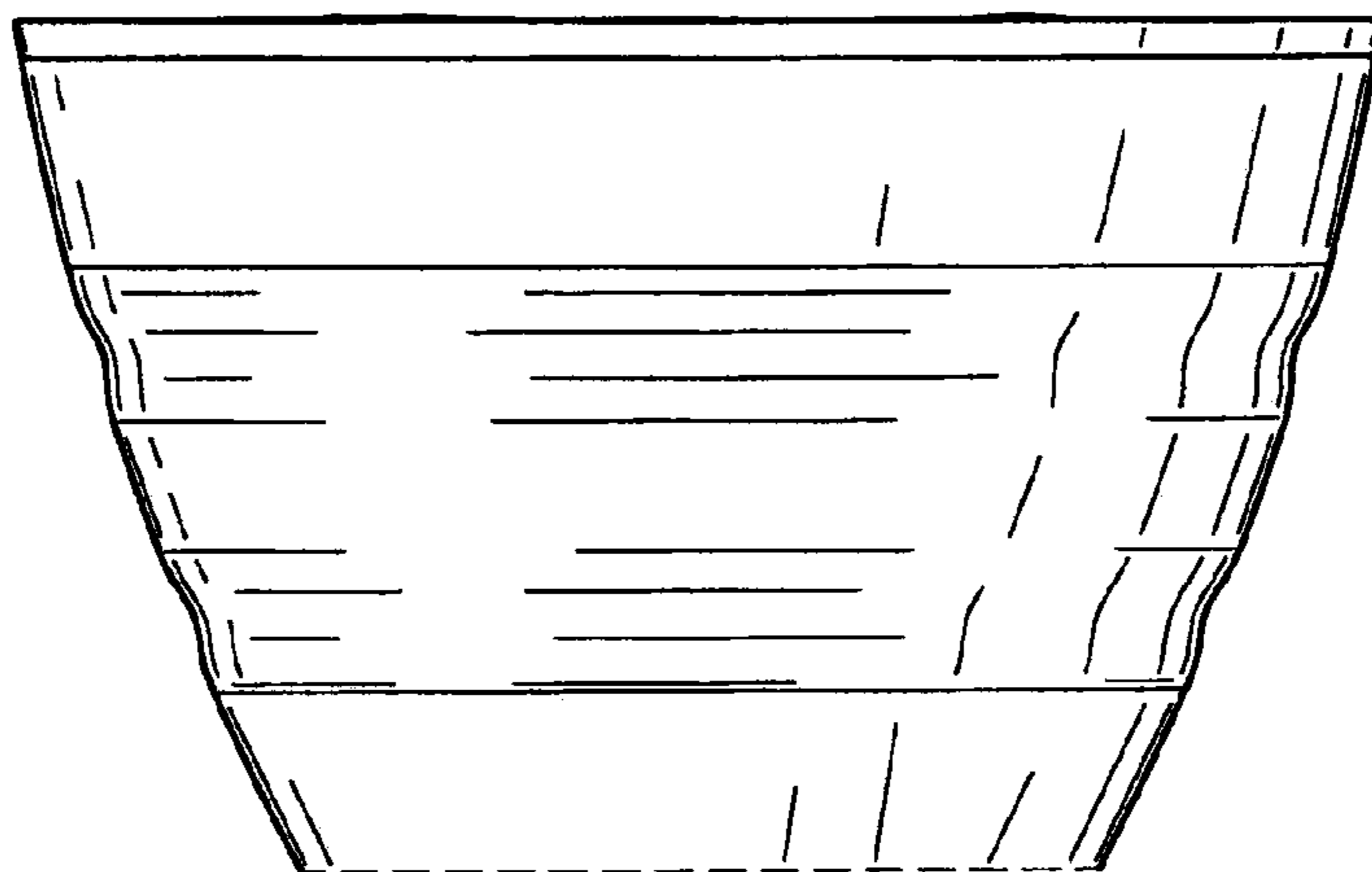


Fig. 6

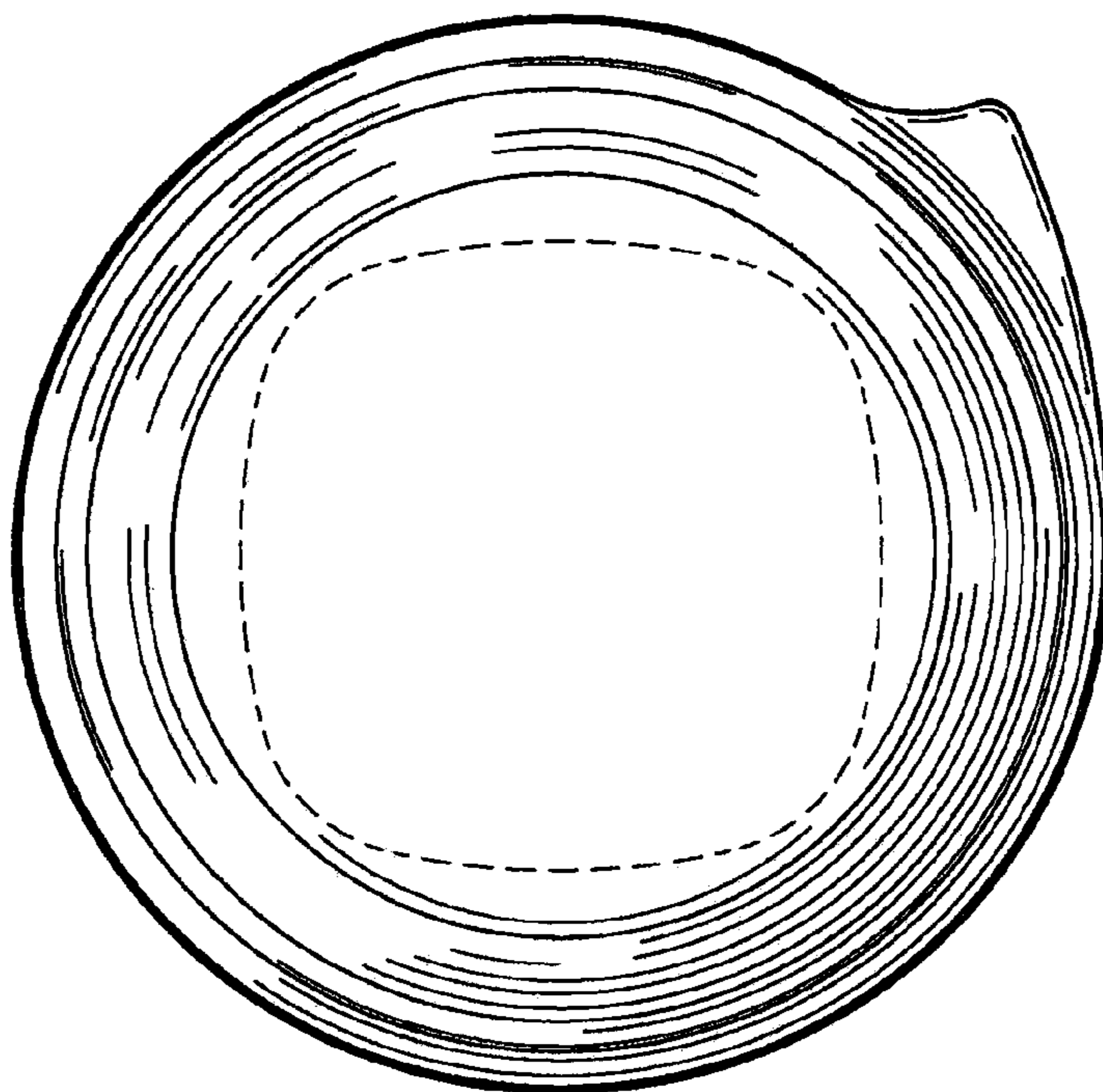


Fig. 7