



US00D660654S

(12) **United States Design Patent**  
**Radinsky**

(10) **Patent No.:** **US D660,654 S**

(45) **Date of Patent:** **\*\* May 29, 2012**

(54) **COASTER FOR BEVERAGE CONTAINER**

(76) Inventor: **Nancy J. Radinsky**, Frederick, MD (US)

(\*\*) Term: **14 Years**

(21) Appl. No.: **29/383,693**

(22) Filed: **Jan. 20, 2011**

(51) **LOC (9) Cl.** ..... **09-01**

(52) **U.S. Cl.** ..... **D7/624.1**

(58) **Field of Classification Search** ..... D7/601-602,  
D7/619.1, 624.1, 624.2, 388, 603; D9/444,  
D9/455, 501, 517; D30/129, 133; D27/102,  
D27/126, 133-135; D11/143, 152, 155;  
D24/199; 215/11.6; 220/592.16, 592.17,  
220/737-739, 902-903; 229/89-91  
See application file for complete search history.

(56) **References Cited**

**U.S. PATENT DOCUMENTS**

1,683,205	A *	9/1928	Packard	.....	215/394
2,929,526	A *	3/1960	Steinberg	.....	215/393
2,955,722	A *	10/1960	Autonious	.....	215/393
2,990,968	A	7/1961	Pirman		
3,797,796	A	3/1974	Lansdowne		
4,340,146	A	7/1982	Stratton		
4,514,995	A	5/1985	Curtis et al.		
D289,143	S *	4/1987	Guillaume	.....	D9/501
4,759,524	A	7/1988	Anderson		
4,836,488	A	6/1989	Ross		
5,056,749	A	10/1991	Ige		
D348,183	S *	6/1994	Sawatsky et al.	.....	D7/624.1

D360,384	S *	7/1995	Weder et al.	.....	D11/164
D361,295	S *	8/1995	Weder et al.	.....	D11/164
D361,297	S *	8/1995	Weder et al.	.....	D11/164
5,465,891	A *	11/1995	Bridges	.....	224/566
D382,800	S	8/1997	Dedering		
D390,423	S	2/1998	Stivender		
D397,062	S *	8/1998	Hollington	.....	D11/164
D400,406	S *	11/1998	House	.....	D7/624.1
D422,119	S *	3/2000	Austin	.....	D28/73
6,053,352	A	4/2000	Cai		
D502,052	S *	2/2005	Meade	.....	D7/396.2
D613,600	S *	4/2010	David	.....	D9/456

\* cited by examiner

*Primary Examiner* — Ian Simmons

*Assistant Examiner* — Dana L Sipos

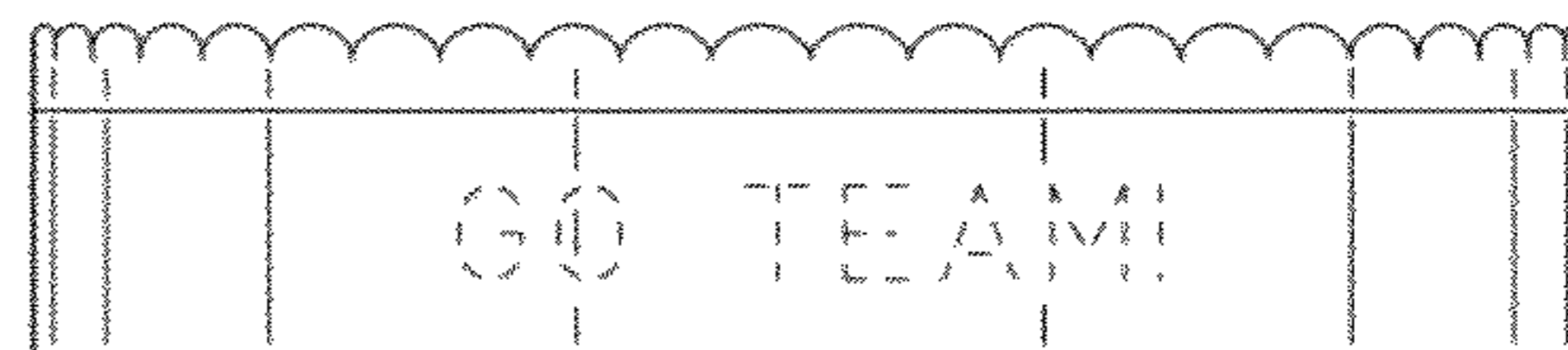
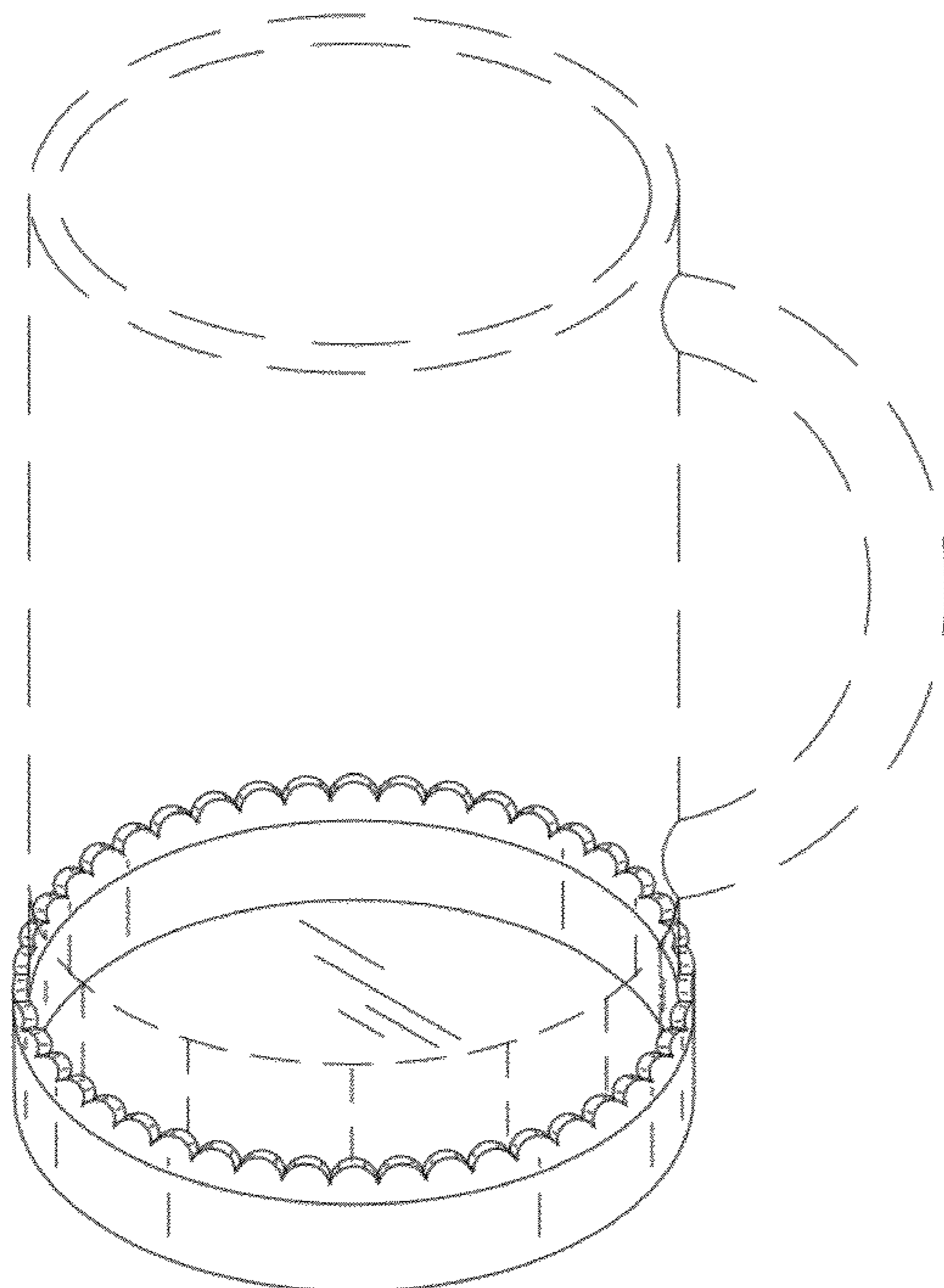
(57) **CLAIM**

The ornamental design for a coaster for beverage container, as shown and described.

**DESCRIPTION**

FIG. 1 is a perspective view of a coaster for beverage container showing my new design;  
FIG. 2 is a front view (back view and both side views are same) thereof;  
FIG. 3 is a top view thereof; and,  
FIG. 4 is a bottom view thereof.  
The broken lines in the drawings illustrate the portions of the design that form no part of the claim.

**1 Claim, 4 Drawing Sheets**



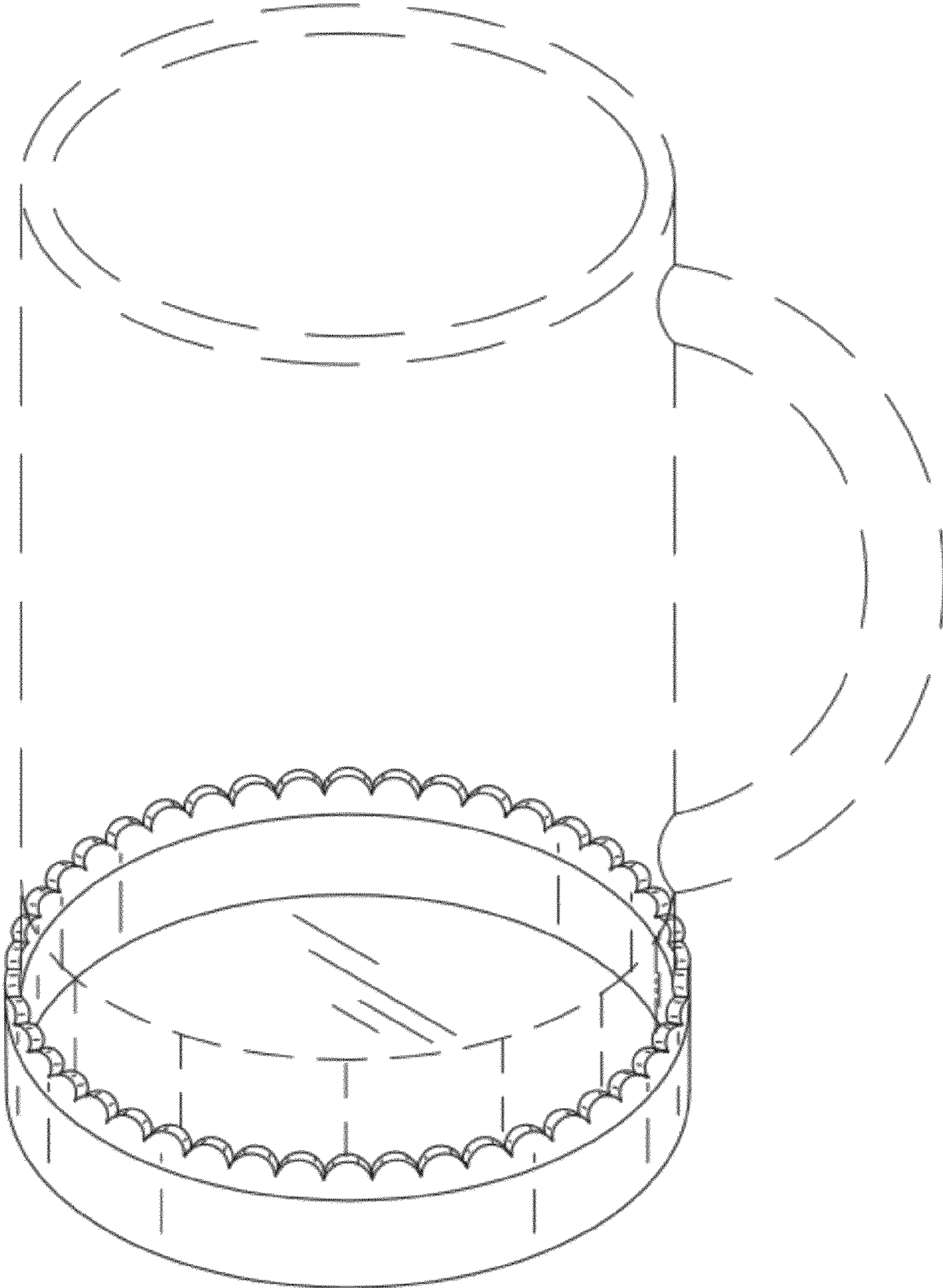


FIG. 1

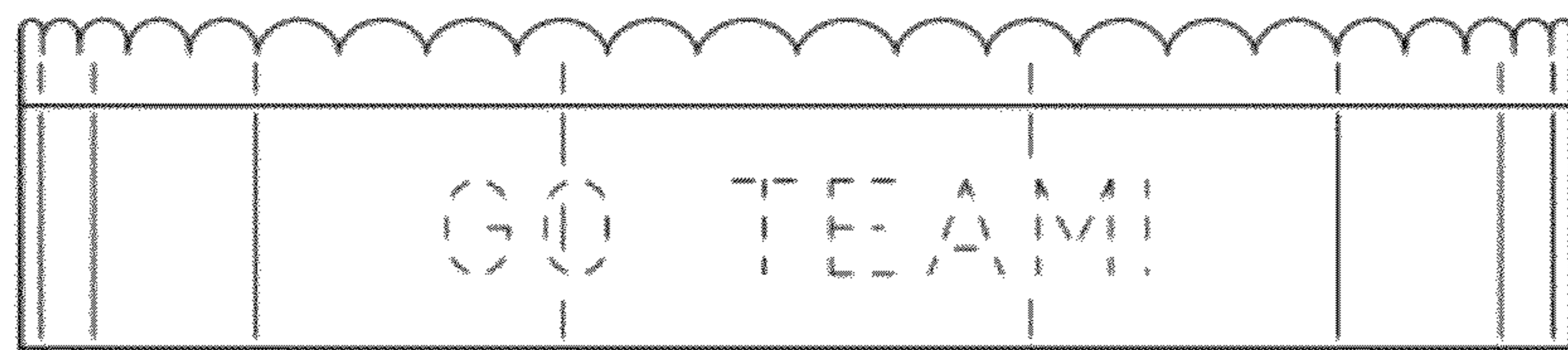


FIG. 2

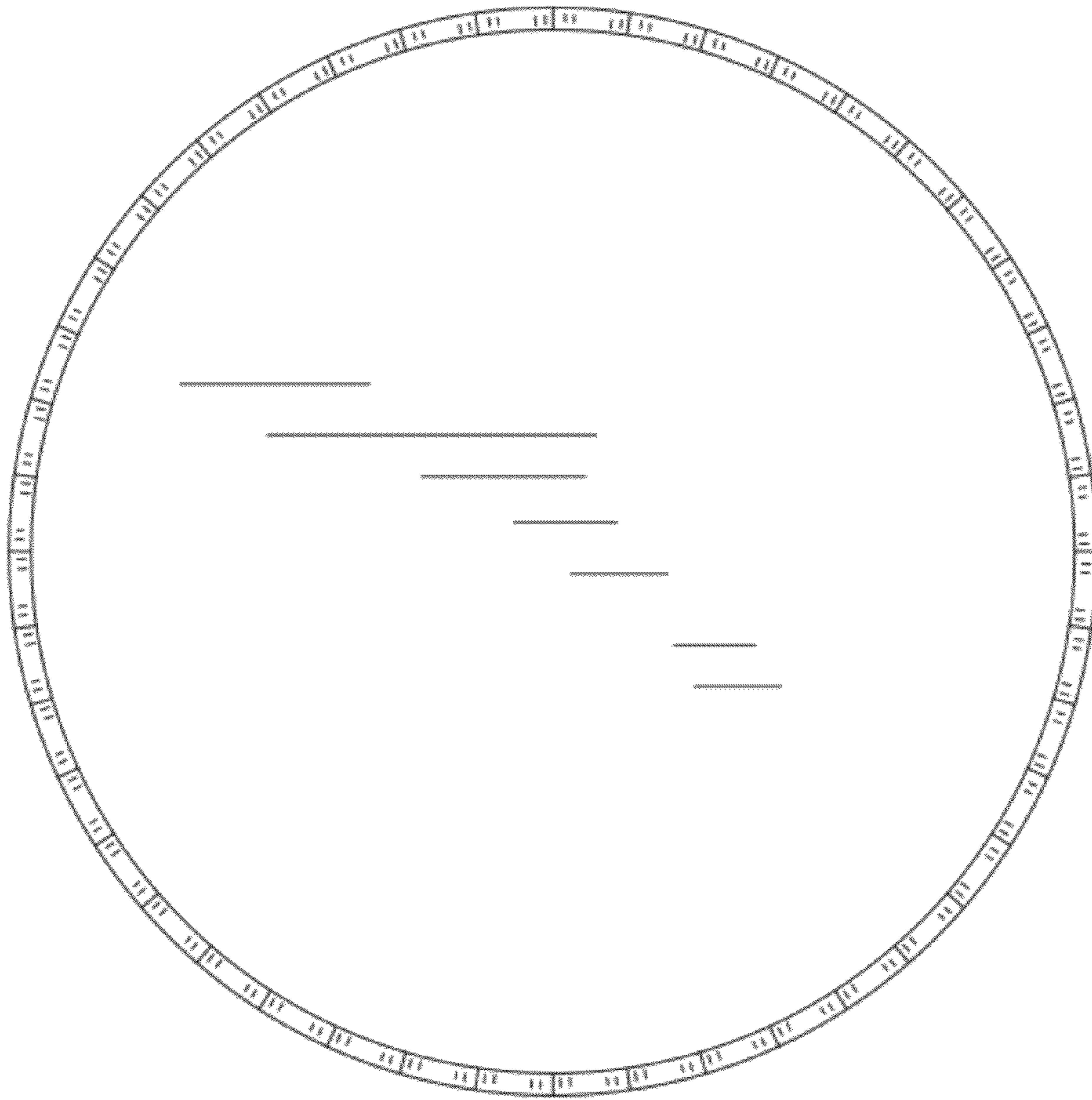


FIG. 3



FIG. 4