



US00D660653S

(12) **United States Design Patent**  
**Smyers et al.**

(10) **Patent No.:** **US D660,653 S**

(45) **Date of Patent:** **\*\* May 29, 2012**

(54) **CANISTER FOR DRY FOODS**

(75) Inventors: **Justin Smyers**, Newport Beach, CA (US); **Lou Henry**, Scarsdale, NY (US); **Jacob Wilson**, New York, NY (US); **Ken S. Tran**, West Covina, CA (US)

(73) Assignee: **Snapware Corporation**, Mira Loma, CA (US)

(\*\*) Term: **14 Years**

(21) Appl. No.: **29/358,913**

(22) Filed: **Apr. 1, 2010**

(51) **LOC (9) Cl.** ..... **09-02**

(52) **U.S. Cl.** ..... **D7/615**

(58) **Field of Classification Search** ..... D7/538,  
D7/540, 542, 500, 584, 586, 601, 602, 612,  
D7/615, 629, 630; 215/200, 201, 224, 316,  
215/317, 318, 379, 381-385; 220/574, 495.02,  
220/495.03, 200, 62.11, 62.13, 377, 660,  
220/662, 669, 675

See application file for complete search history.

(56) **References Cited**

**U.S. PATENT DOCUMENTS**

D26,704	S	*	3/1897	Morningstar	.....	D9/503
2,076,549	A	*	4/1937	Conner	.....	215/6
2,765,832	A	*	10/1956	Tupper	.....	366/341
3,307,602	A	*	3/1967	Boster	.....	220/254.7
D214,159	S	*	5/1969	Hart et al.	.....	D9/503
D254,180	S	*	2/1980	Morin	.....	D7/612
D257,930	S	*	1/1981	Conti	.....	D7/629
D267,071	S	*	11/1982	Carlson	.....	D7/612
D268,470	S	*	4/1983	Kato	.....	D7/612
D272,507	S	*	2/1984	Conti	.....	D7/615
D272,508	S	*	2/1984	Conti	.....	D7/615
D282,896	S	*	3/1986	Conti et al.	.....	D7/629
5,147,059	A	*	9/1992	Olsen et al.	.....	220/281
5,356,026	A	*	10/1994	Andress et al.	.....	206/508
D358,302	S	*	5/1995	VanValkenburg et al.	.....	D7/614
D401,152	S	*	11/1998	DeVore et al.	.....	D9/500
D446,728	S	*	8/2001	Bakic	.....	D9/558
D467,805	S	*	12/2002	Restrepo	.....	D9/500
D496,556	S	*	9/2004	Skrocki et al.	.....	D7/391

D502,634	S	*	3/2005	Yang et al.	.....	D7/615
D506,359	S	*	6/2005	Zettle et al.	.....	D7/629
D507,155	S	*	7/2005	Gosen et al.	.....	D7/629
D507,937	S	*	8/2005	Dais et al.	.....	D7/602
D508,188	S	*	8/2005	Zettle et al.	.....	D7/629
6,983,859	B2	*	1/2006	Azzarello	.....	220/288
D519,327	S	*	4/2006	Tucker et al.	.....	D7/629
D523,296	S	*	6/2006	Kim	.....	D7/629
D539,098	S	*	3/2007	Tucker et al.	.....	D7/629

(Continued)

*Primary Examiner* — Elizabeth J Oswecki

(74) *Attorney, Agent, or Firm* — Larry K. Roberts

(57) **CLAIM**

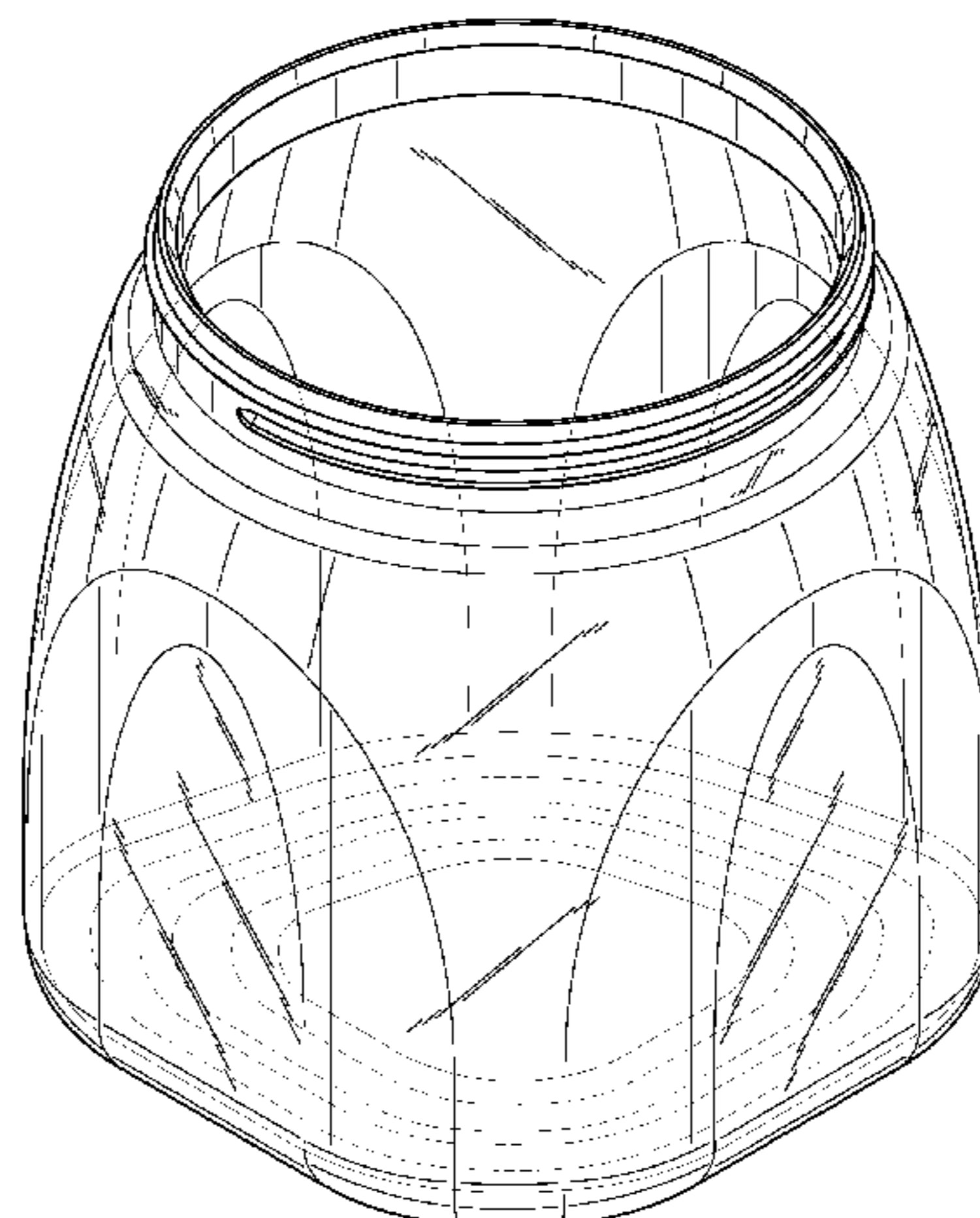
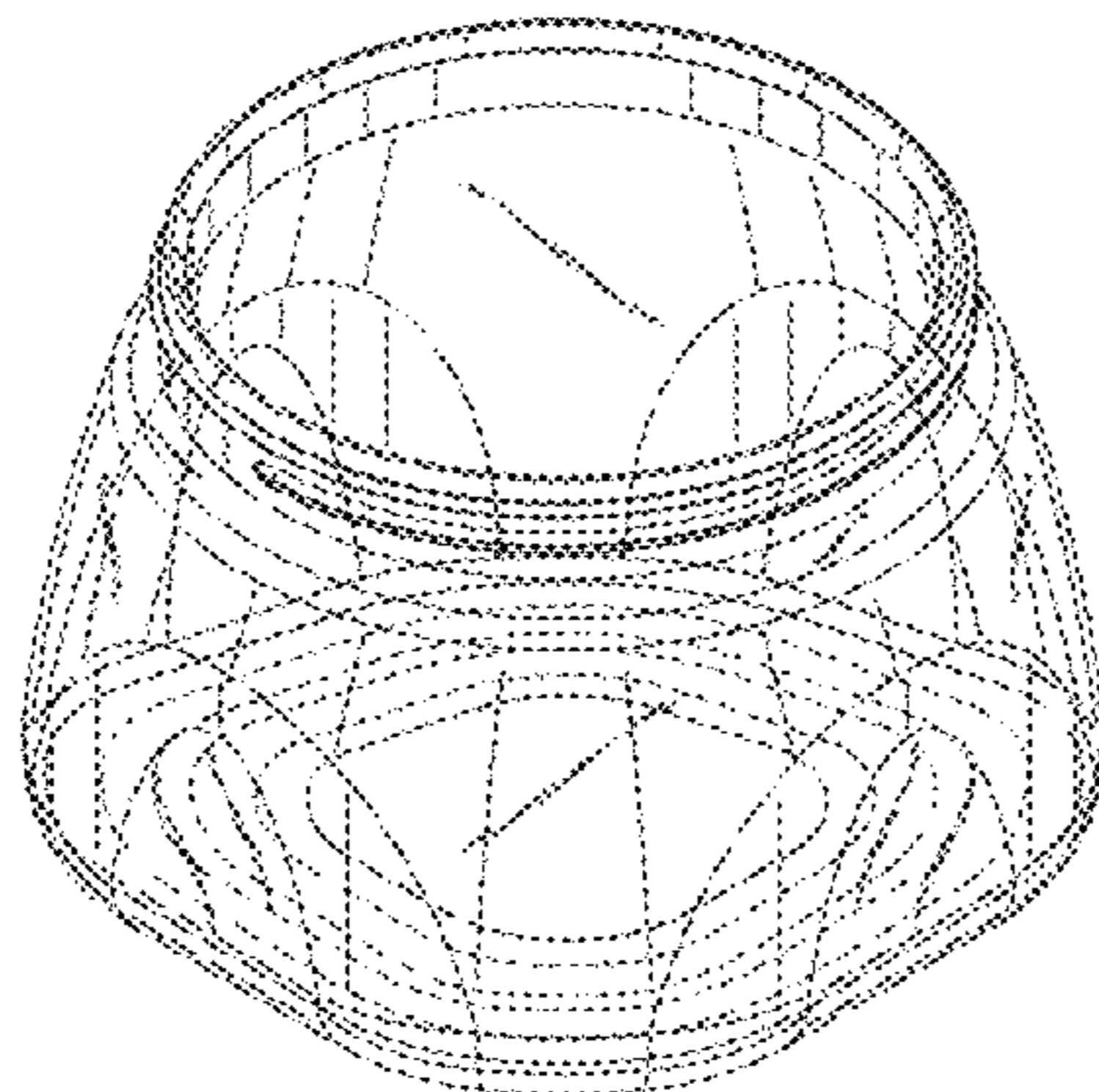
The ornamental design for a canister for dry foods, as shown and described.

**DESCRIPTION**

FIG. 1 is an isometric view of a first embodiment of a canister for dry foods showing our new design;  
 FIG. 2 is a top view thereof;  
 FIG. 3 is left side view thereof;  
 FIG. 4 is a right side view thereof;  
 FIG. 5 is a bottom view thereof;  
 FIG. 6 is a front elevation view thereof;  
 FIG. 7 is a rear elevation view thereof;  
 FIG. 8 is an isometric view of a second embodiment of a canister for dry foods showing our new design;  
 FIG. 9 is a top view thereof;  
 FIG. 10 is a left side view thereof;  
 FIG. 11 is a right side view thereof;  
 FIG. 12 is a bottom view thereof;  
 FIG. 13 is a front elevation view thereof;  
 FIG. 14 is a rear elevation view thereof;  
 FIG. 15 is an isometric view of a third embodiment of a canister for dry foods showing our new design;  
 FIG. 16 is a top view thereof;  
 FIG. 17 is a left side view thereof;  
 FIG. 18 is a right side view thereof;  
 FIG. 19 is a bottom view thereof;  
 FIG. 20 is a front elevation view thereof; and,  
 FIG. 21 is a rear elevation view thereof.

The features shown in broken lines form no part of the claimed design.

**1 Claim, 12 Drawing Sheets**



# US D660,653 S

Page 2

---

## U.S. PATENT DOCUMENTS

D543,077 S *	5/2007	Kim .....	D7/629	D583,200 S *	12/2008	Moran .....	D7/709
D555,982 S *	11/2007	Tucker et al. ....	D7/629	D584,925 S *	1/2009	Buchman et al. ....	D7/602
D566,483 S *	4/2008	Tucker et al. ....	D7/629	D606,813 S *	12/2009	Kim .....	D7/629
D572,086 S *	7/2008	Matsumoto et al. ....	D7/629	D630,518 S *	1/2011	Biesecker et al. ....	D9/558
D576,450 S *	9/2008	Roth et al. ....	D7/629				

\* cited by examiner

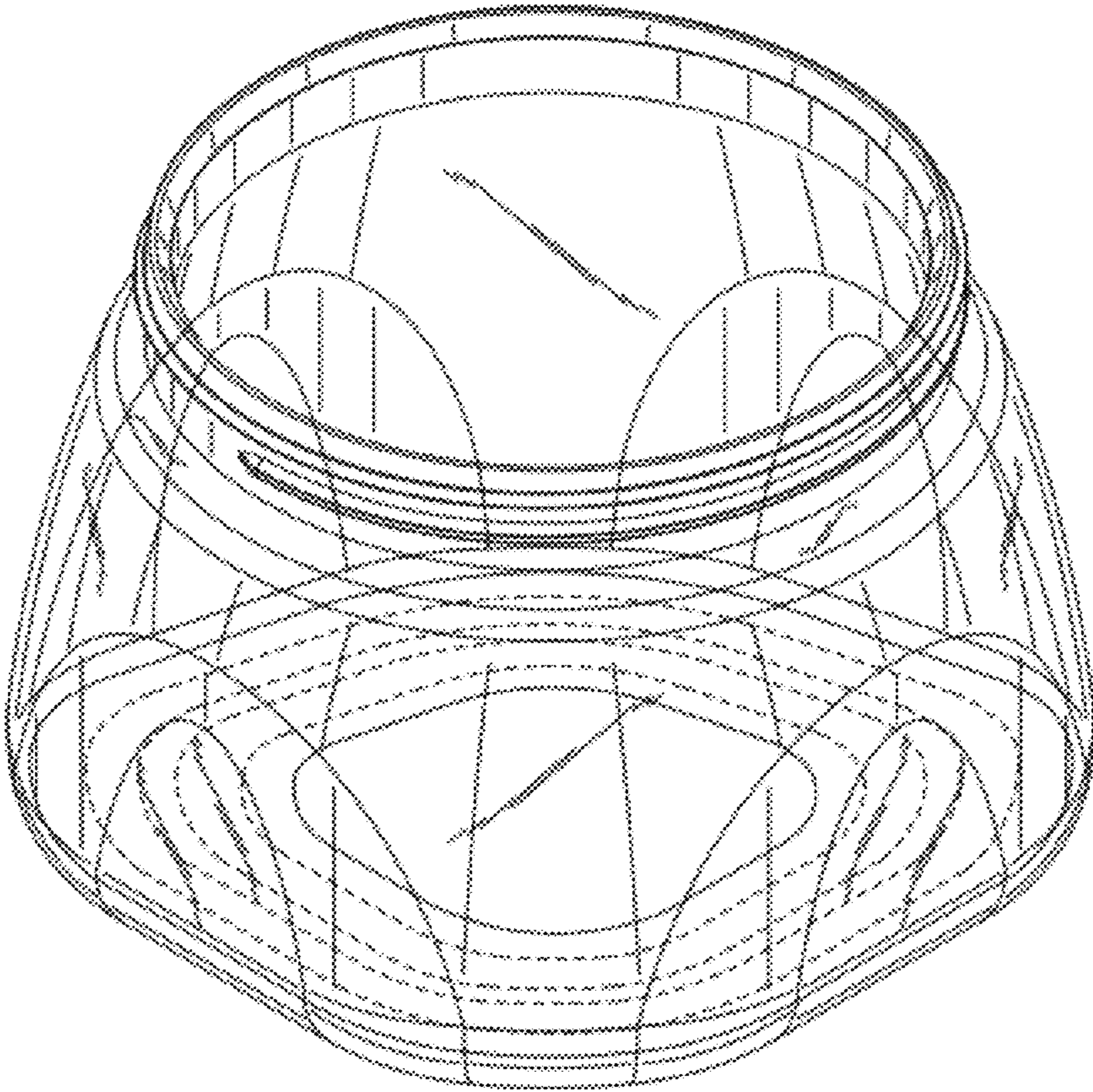


FIG. 1



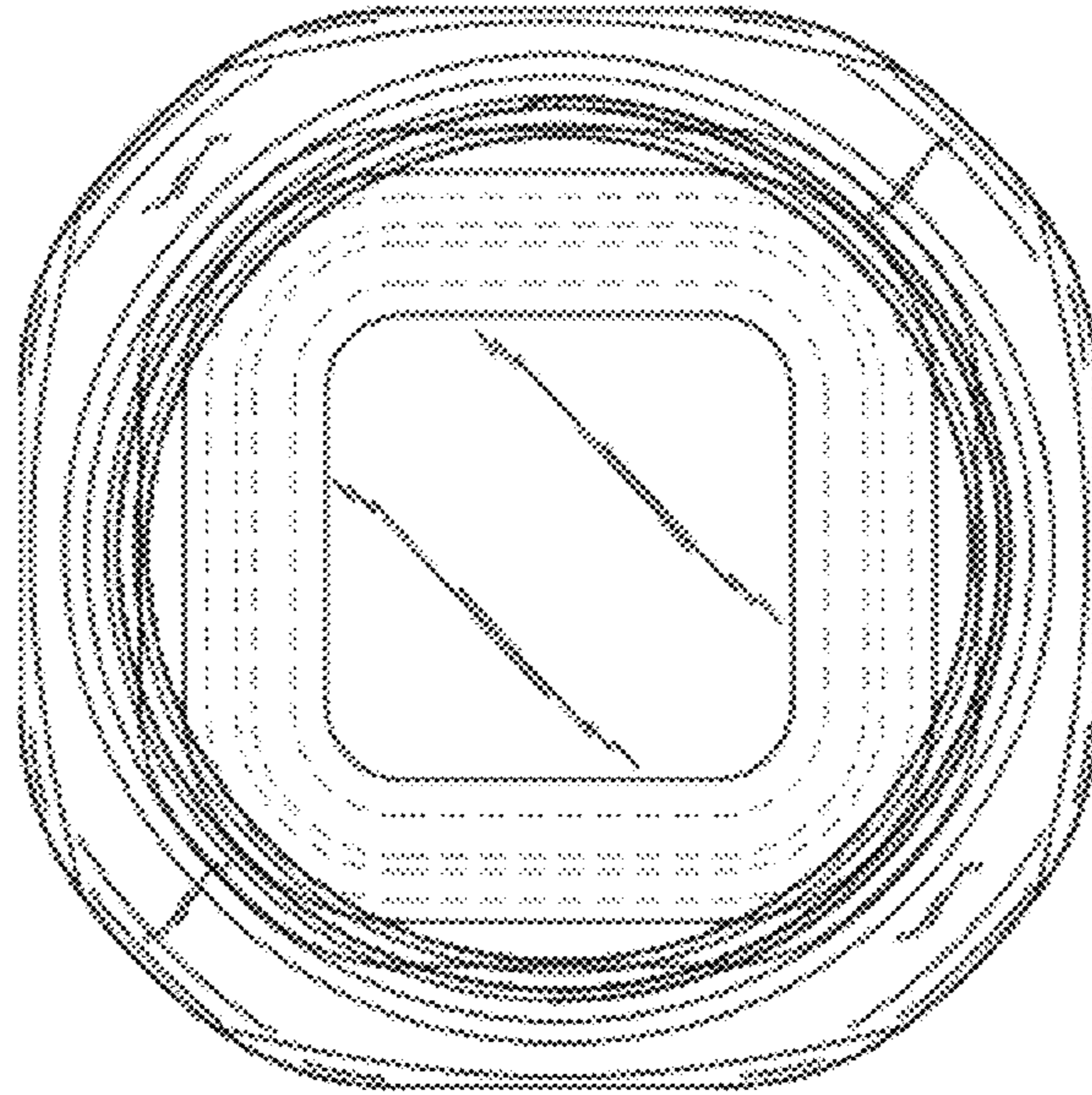


FIG. 2

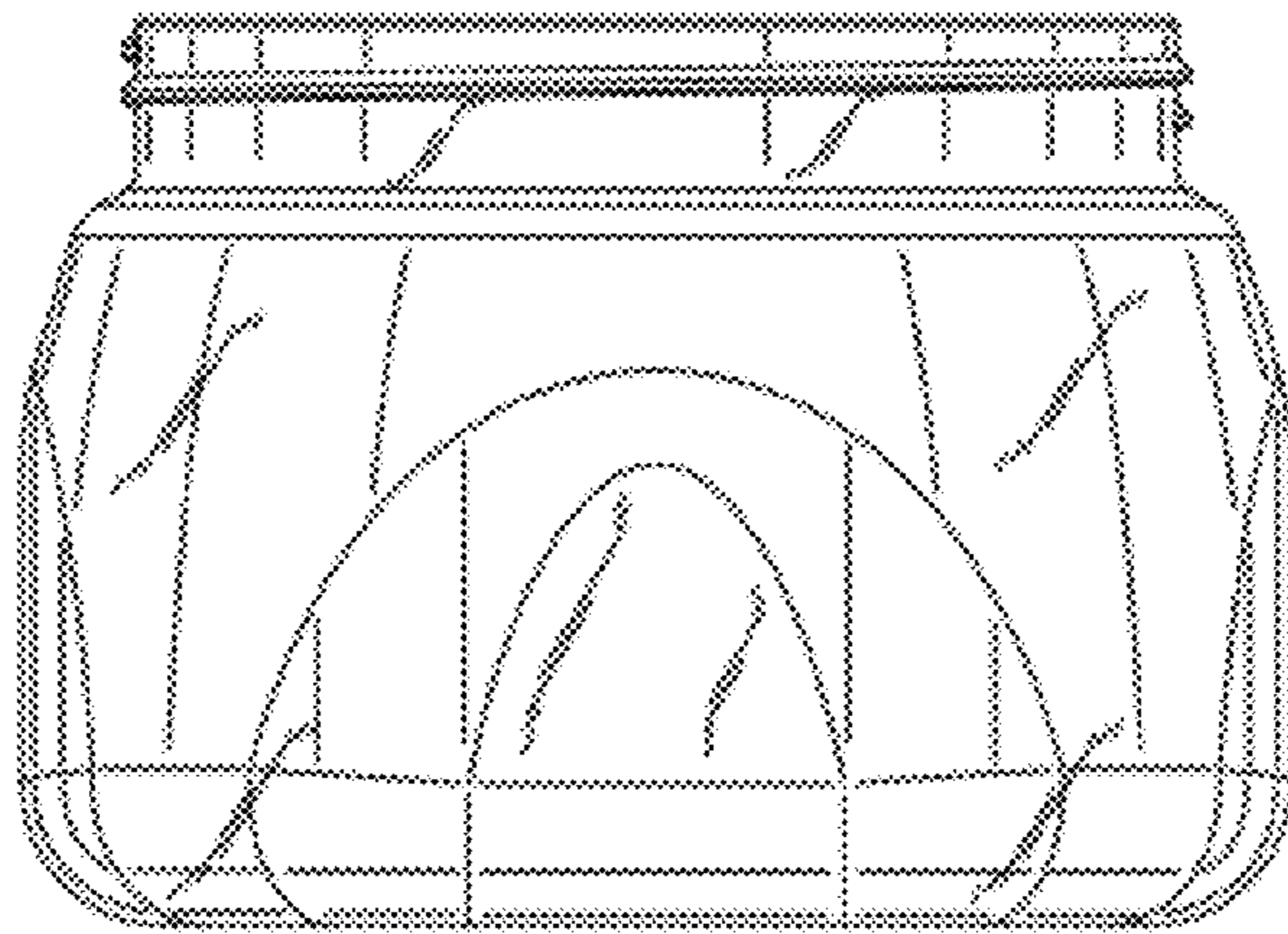


FIG. 3

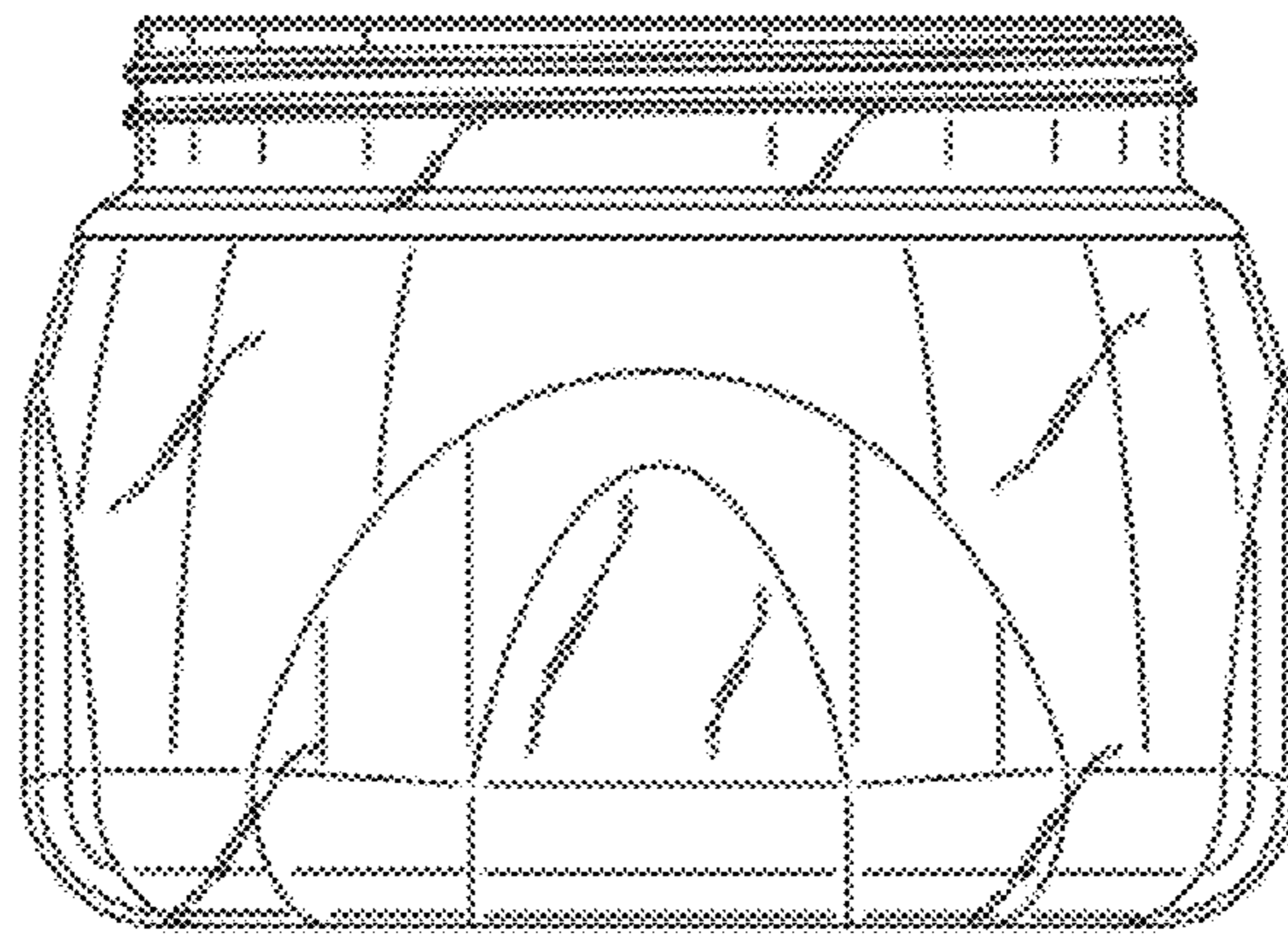


FIG. 4

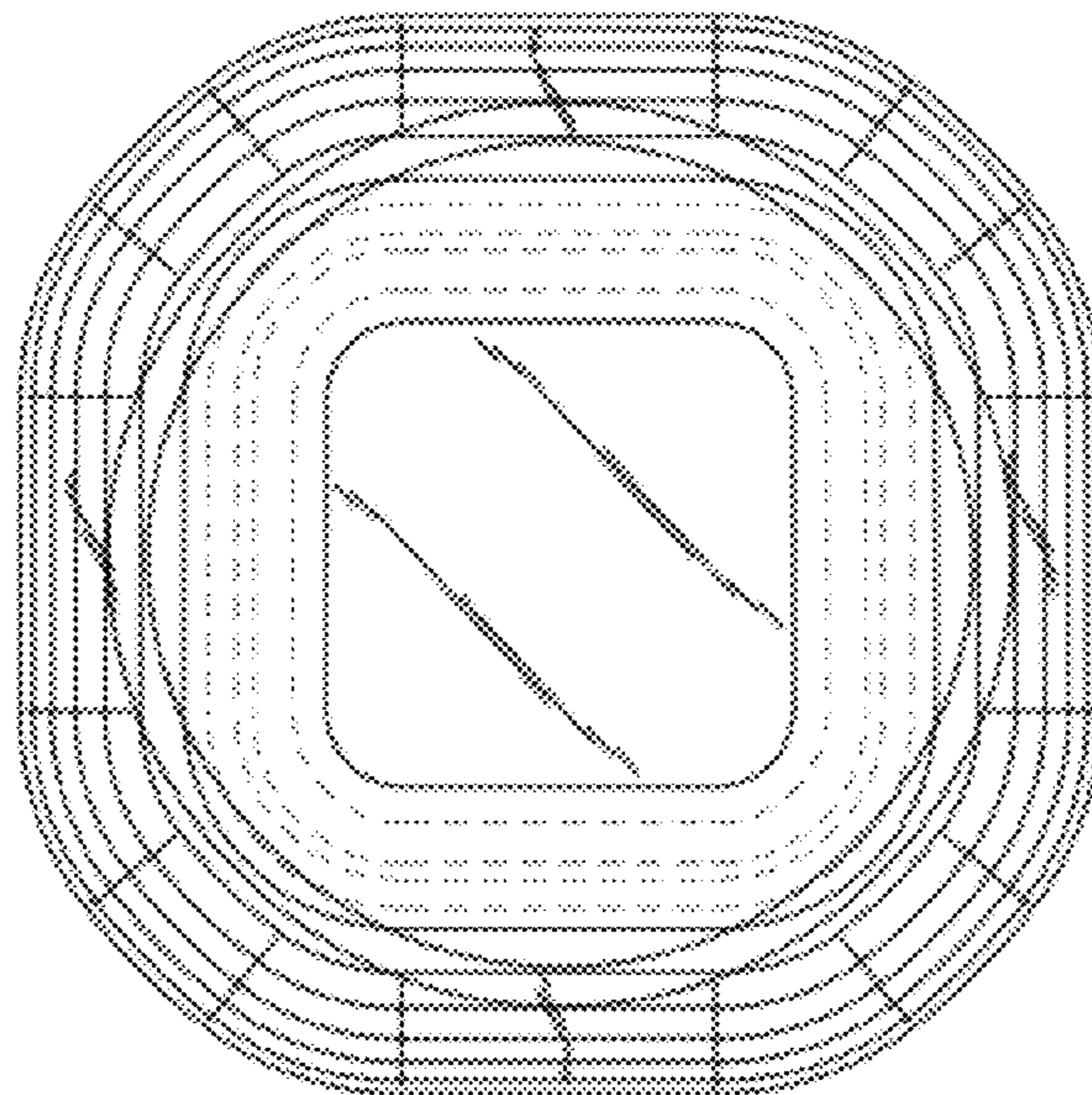


FIG. 5

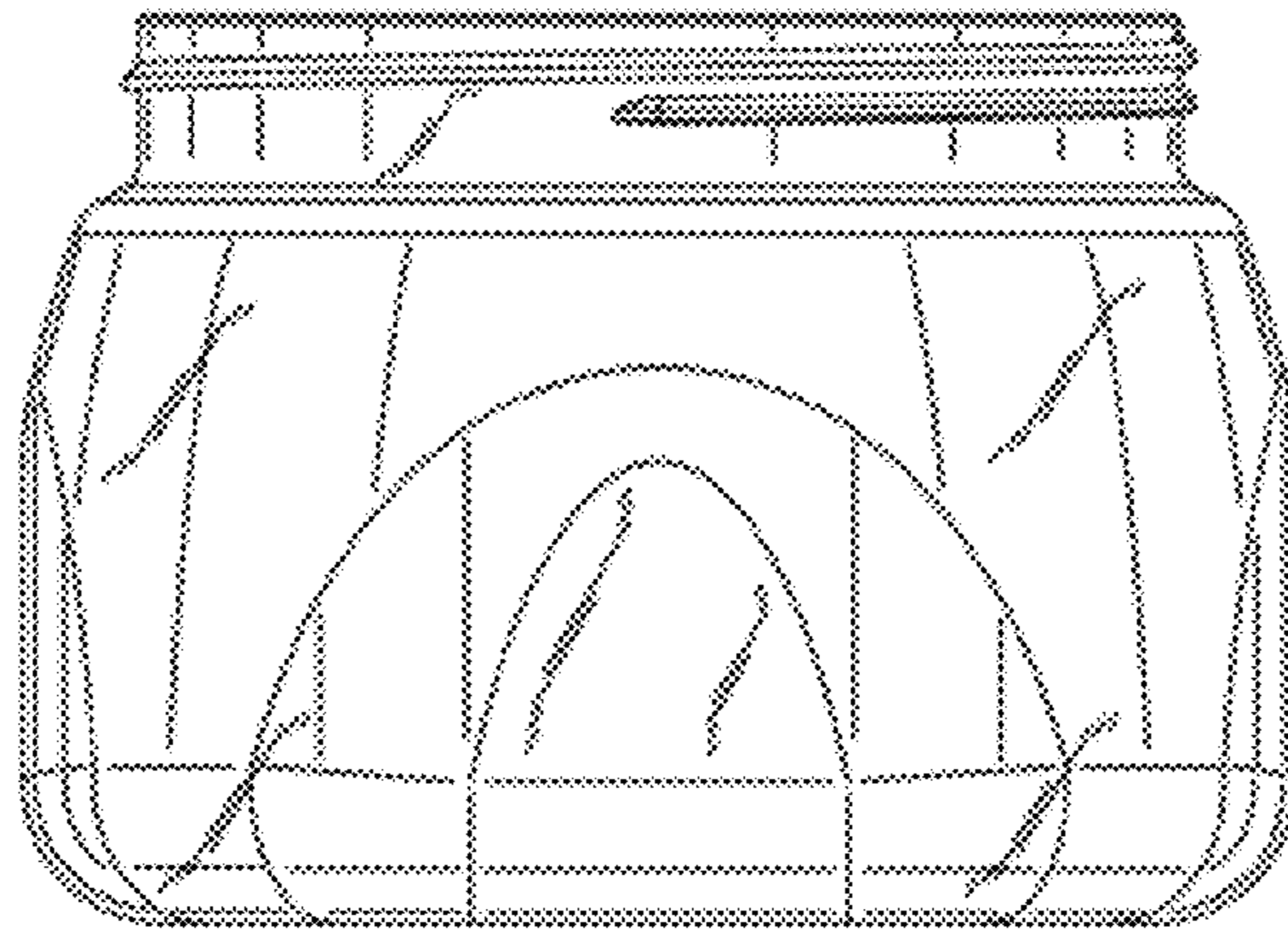


FIG. 6

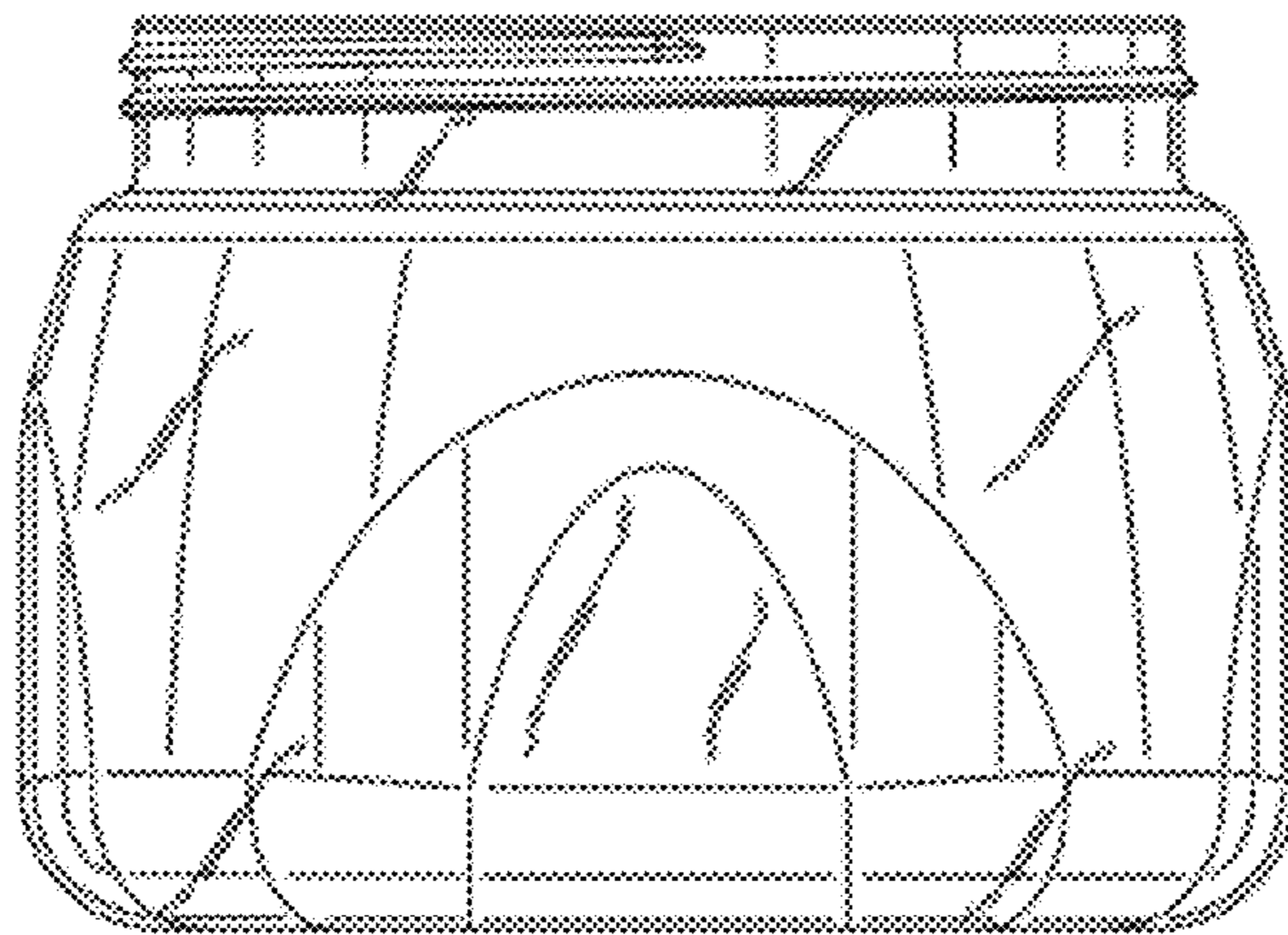


FIG. 7



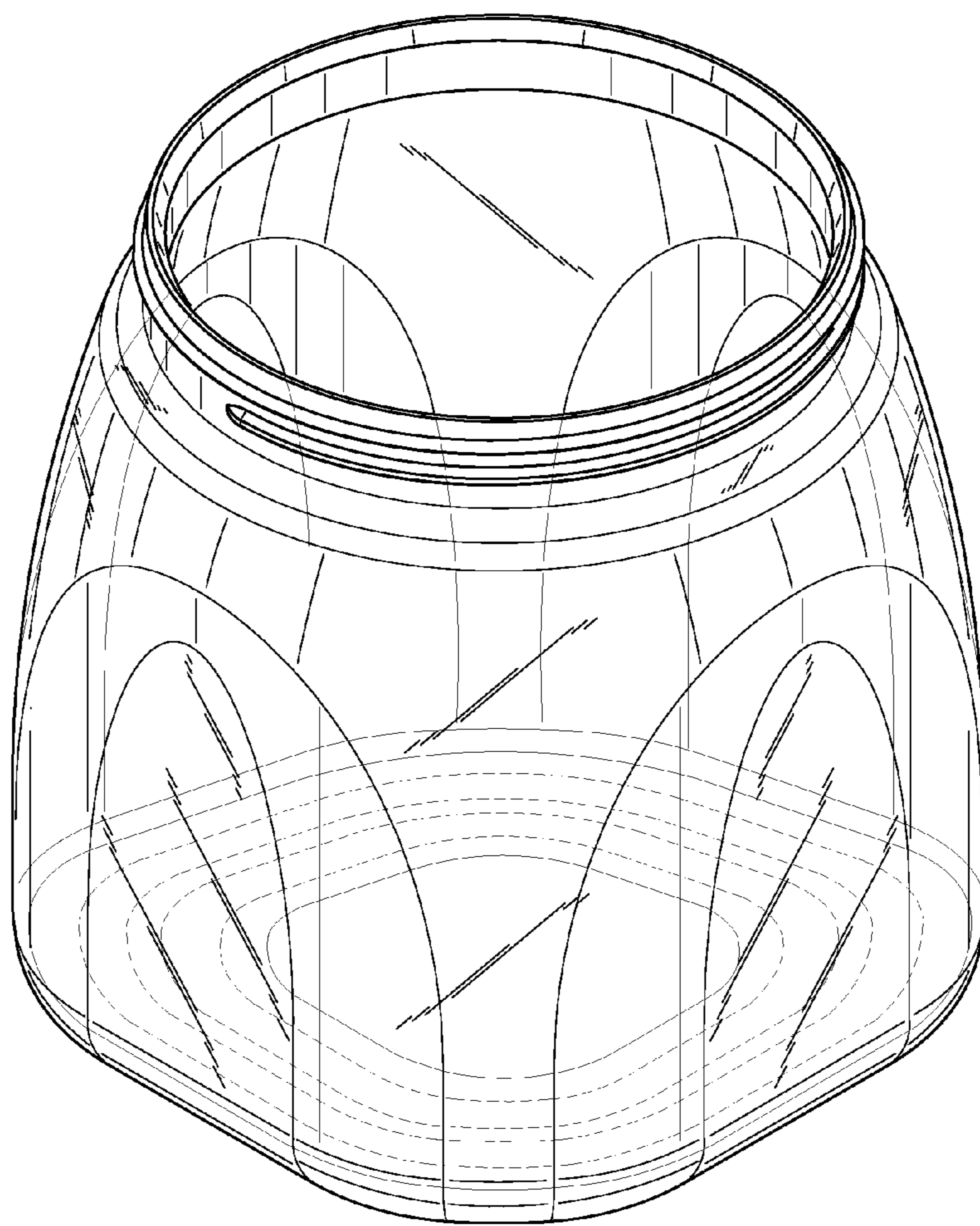


FIG. 8

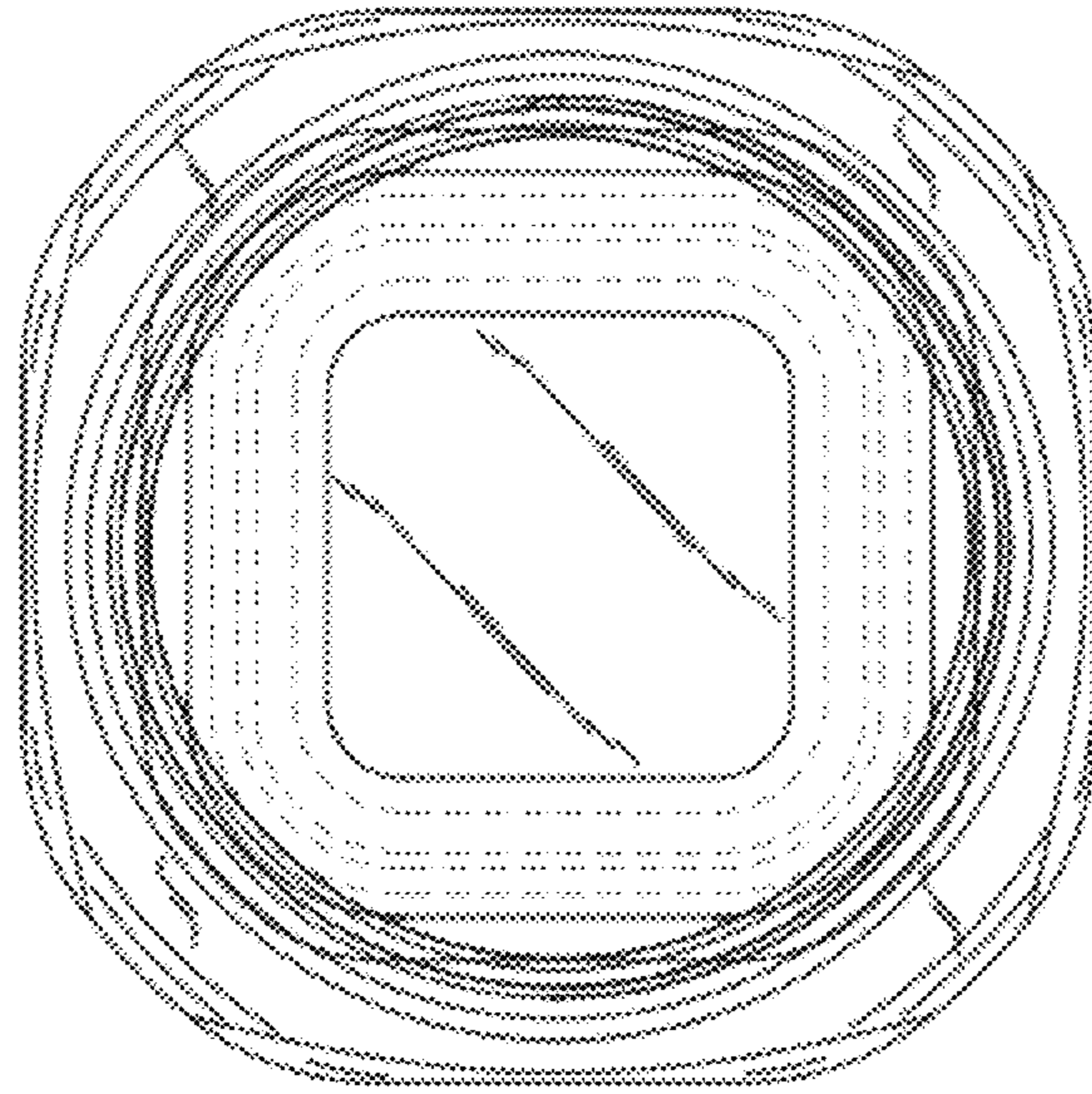


FIG. 9

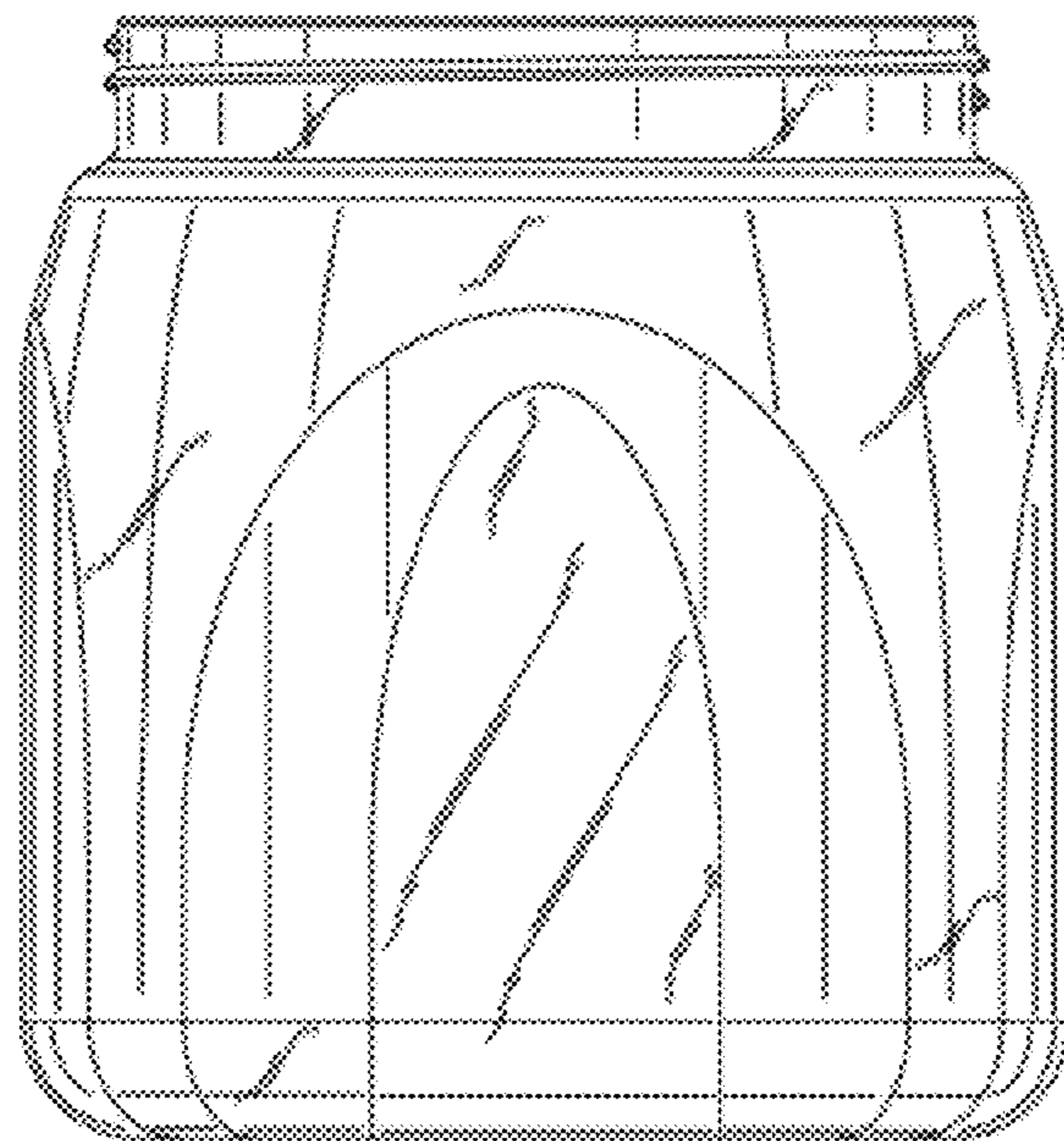


FIG. 10



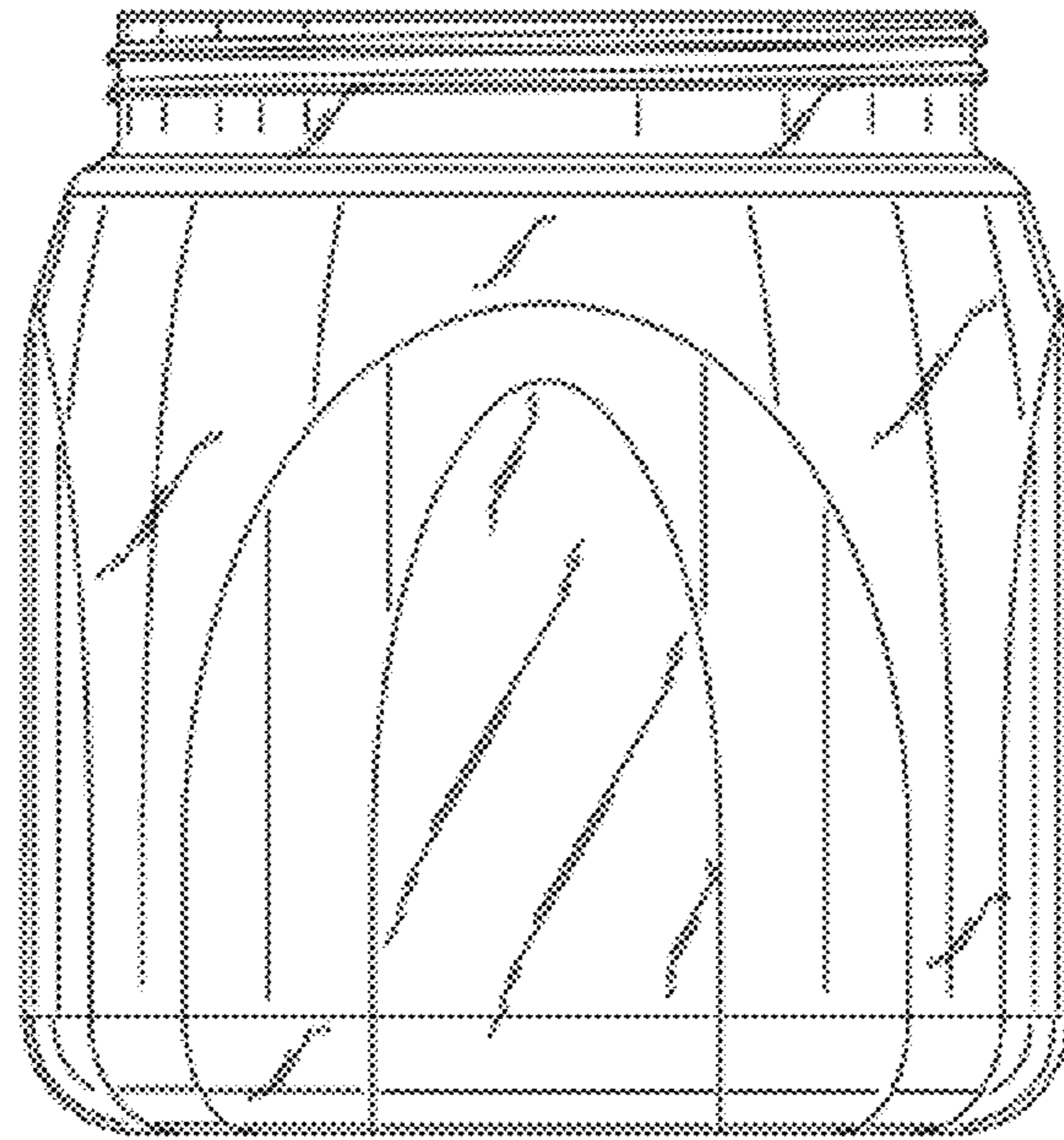


FIG. 11

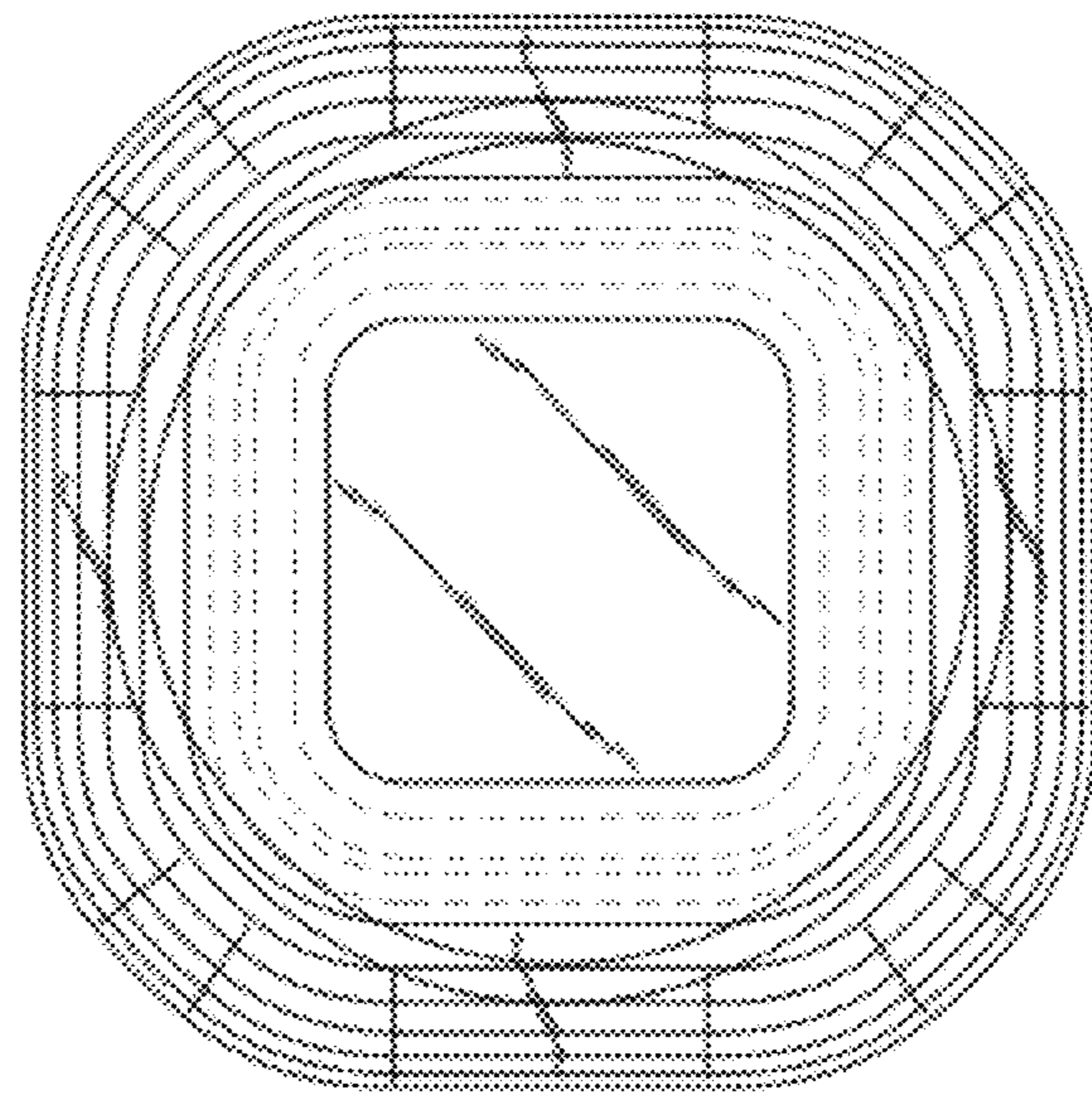


FIG. 12

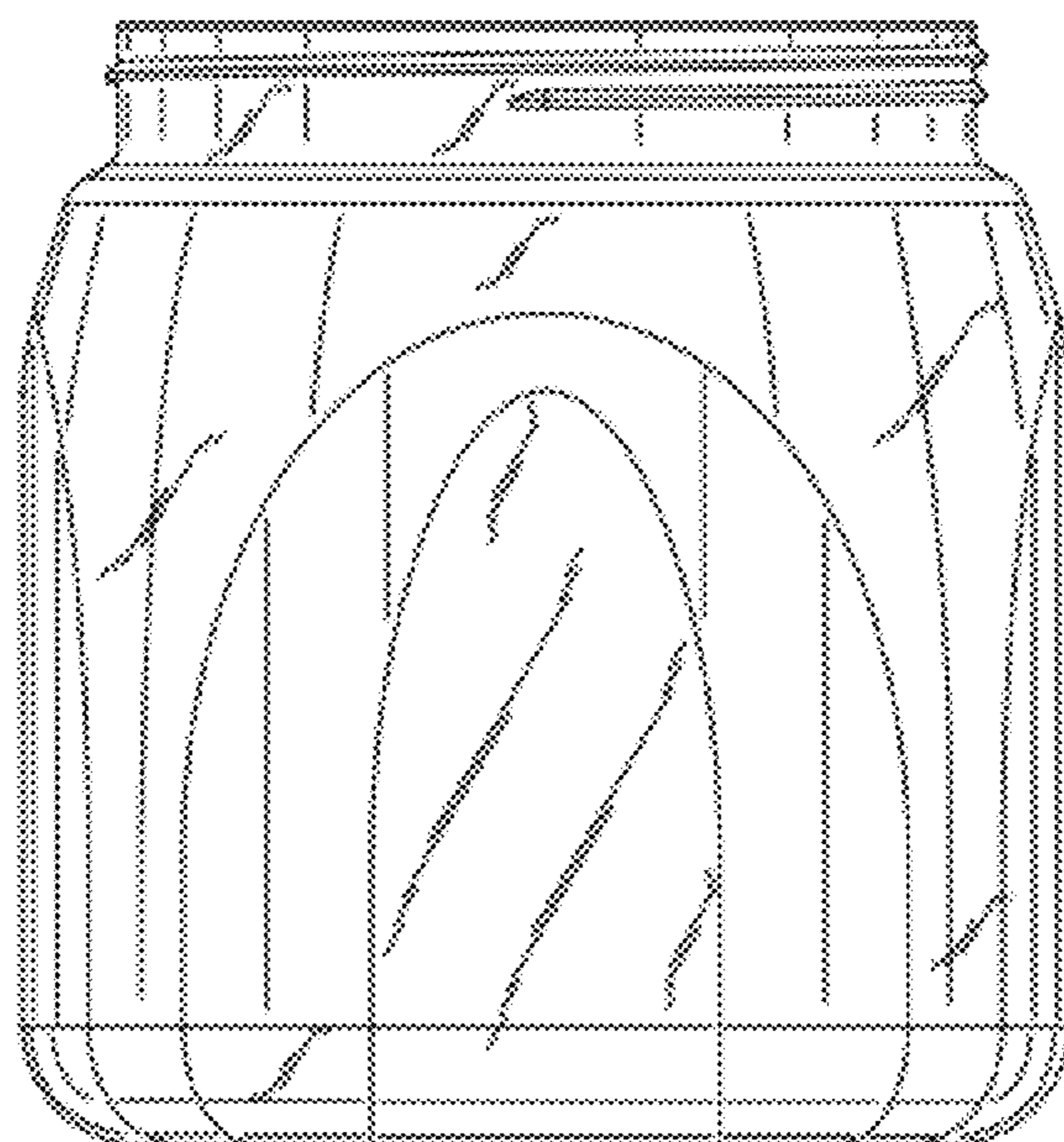


FIG. 13

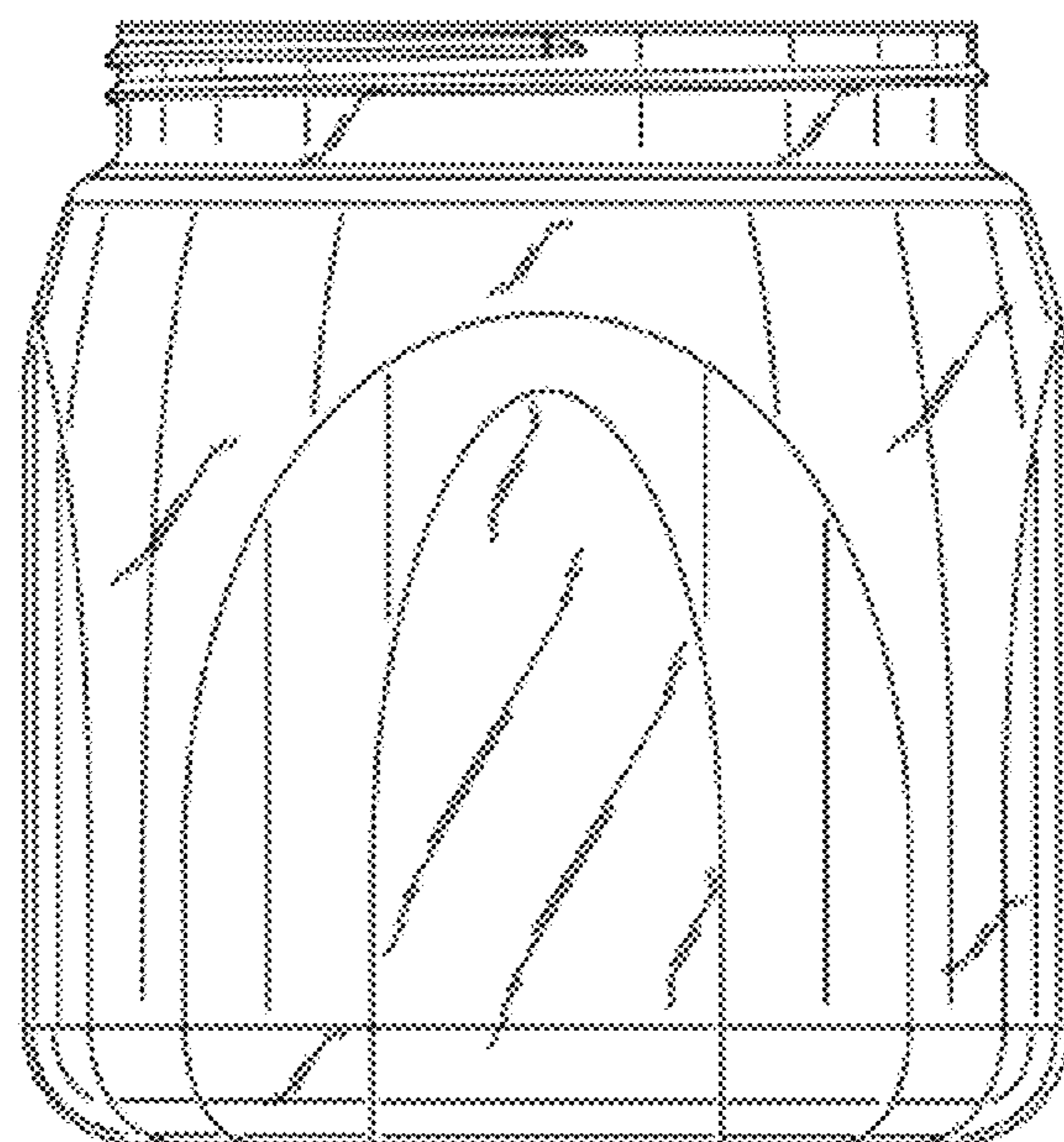


FIG. 14

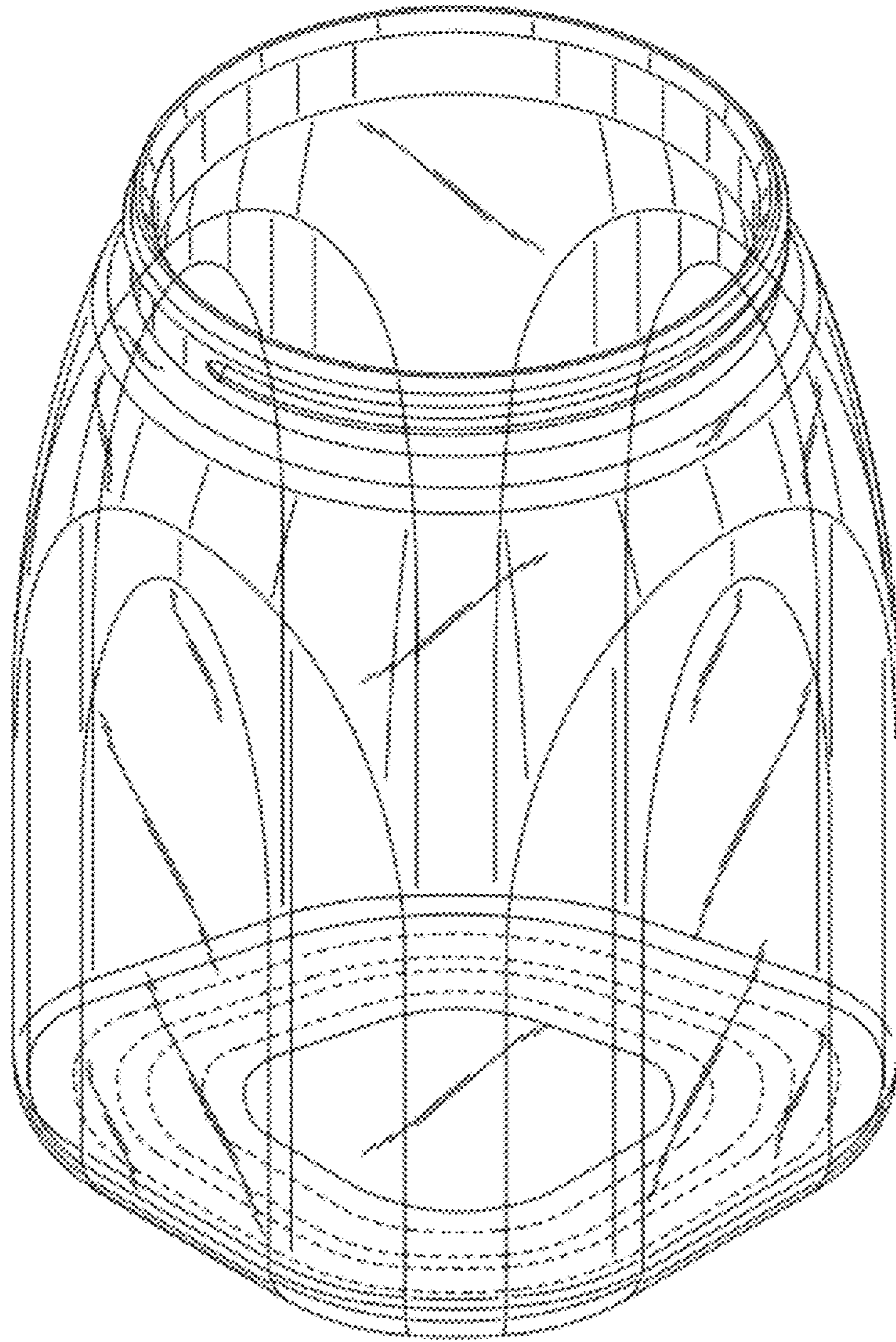


FIG. 15



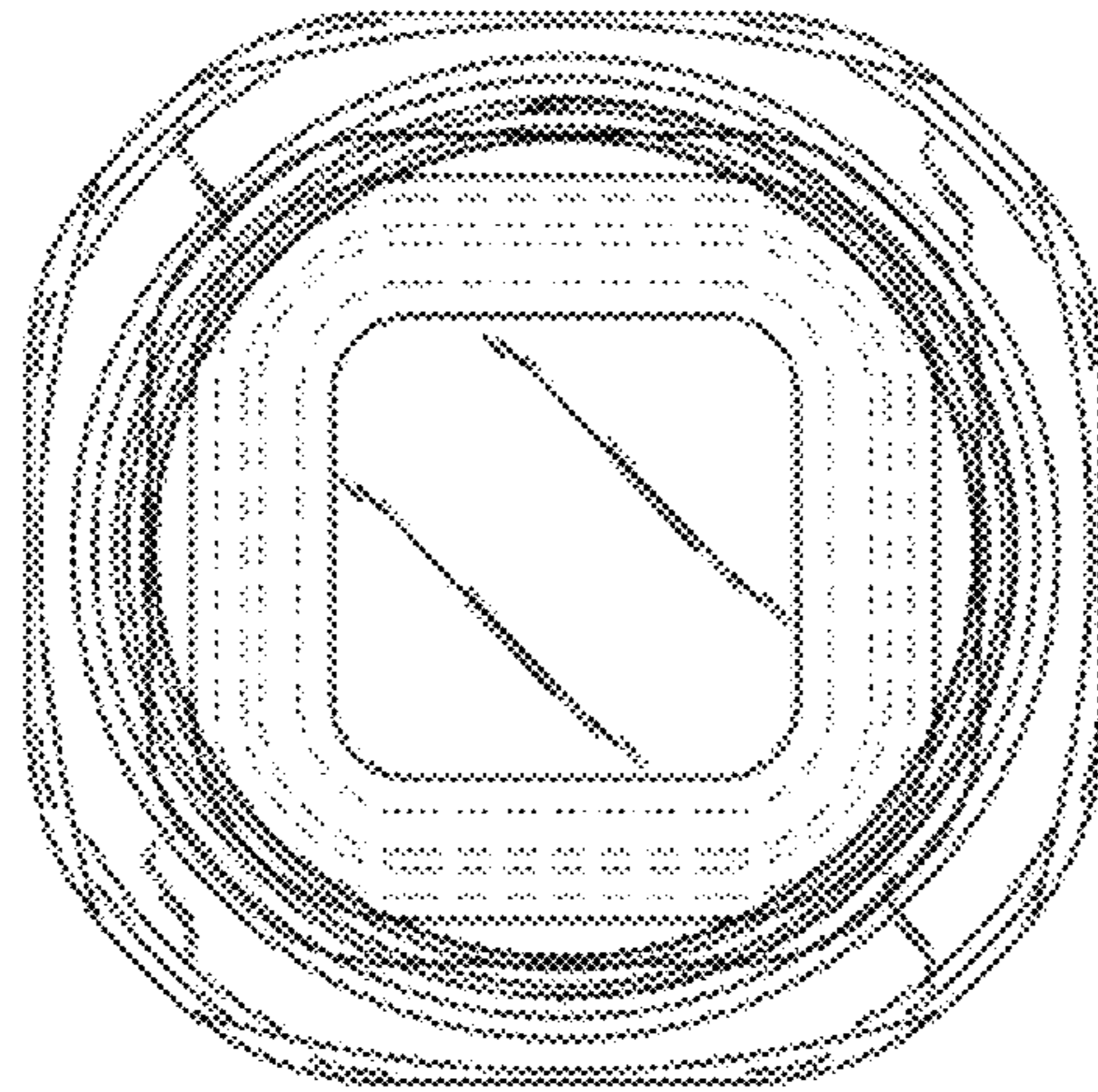


FIG. 16

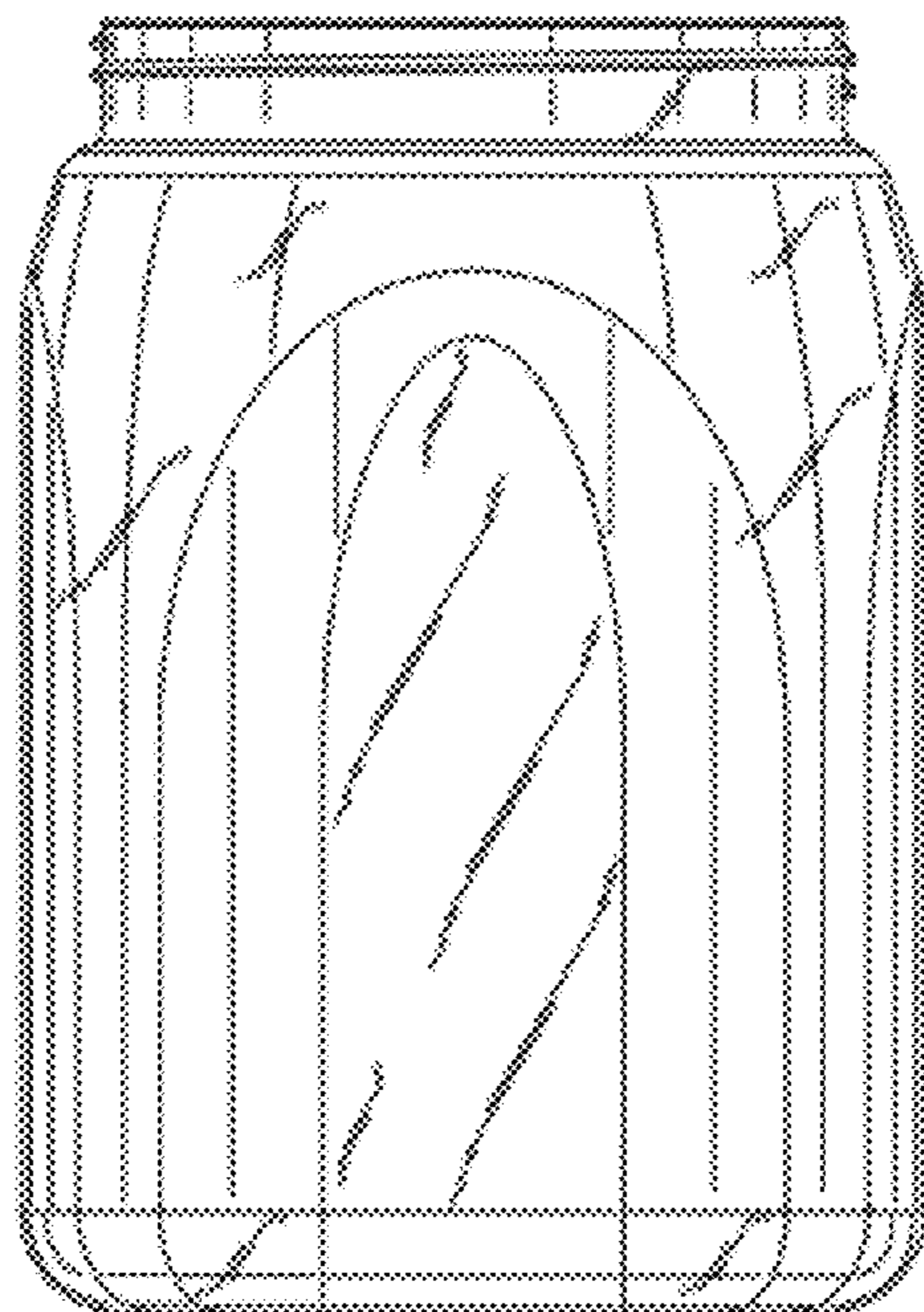


FIG. 17

FIG. 18

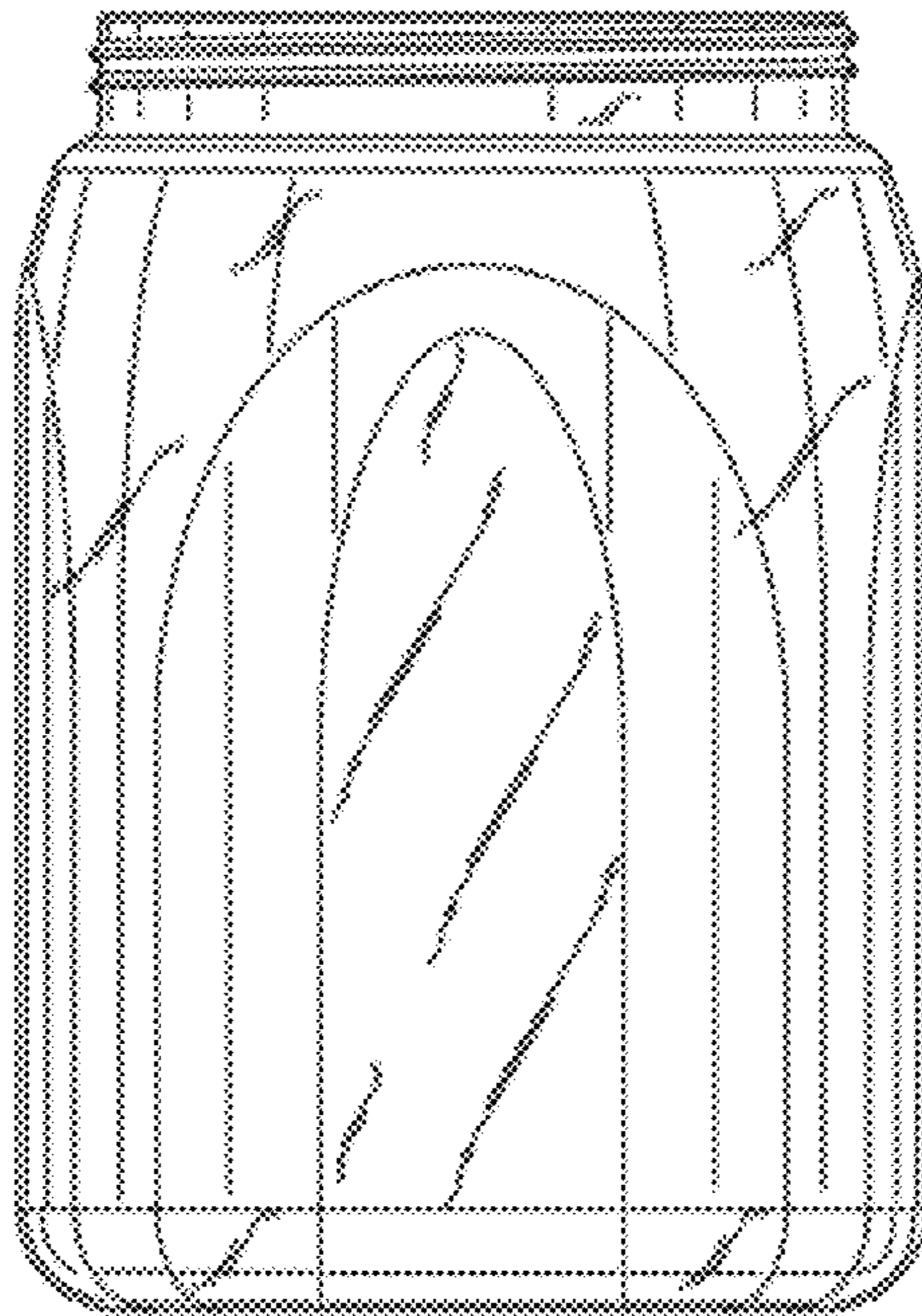


FIG. 19

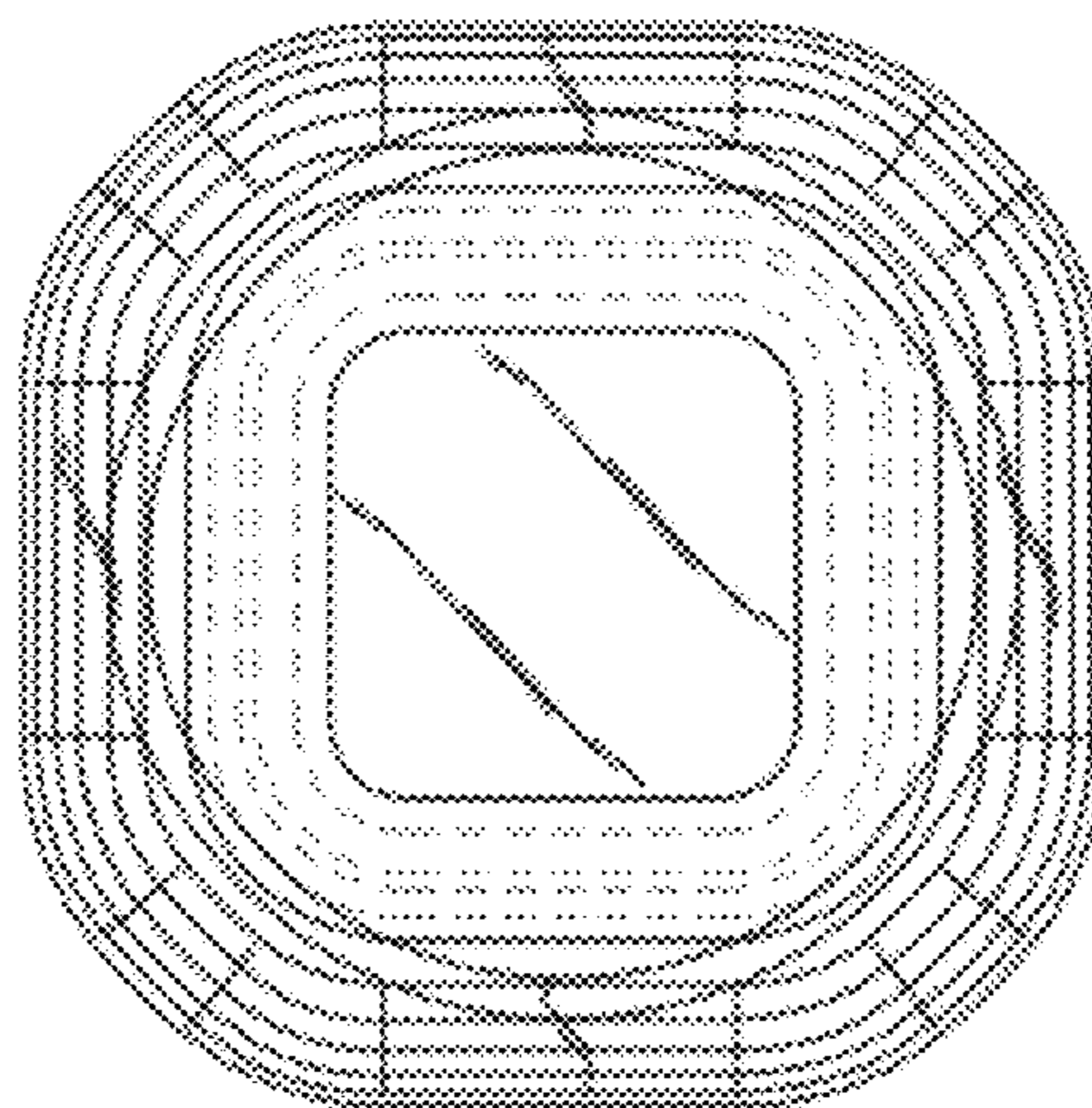


FIG. 20

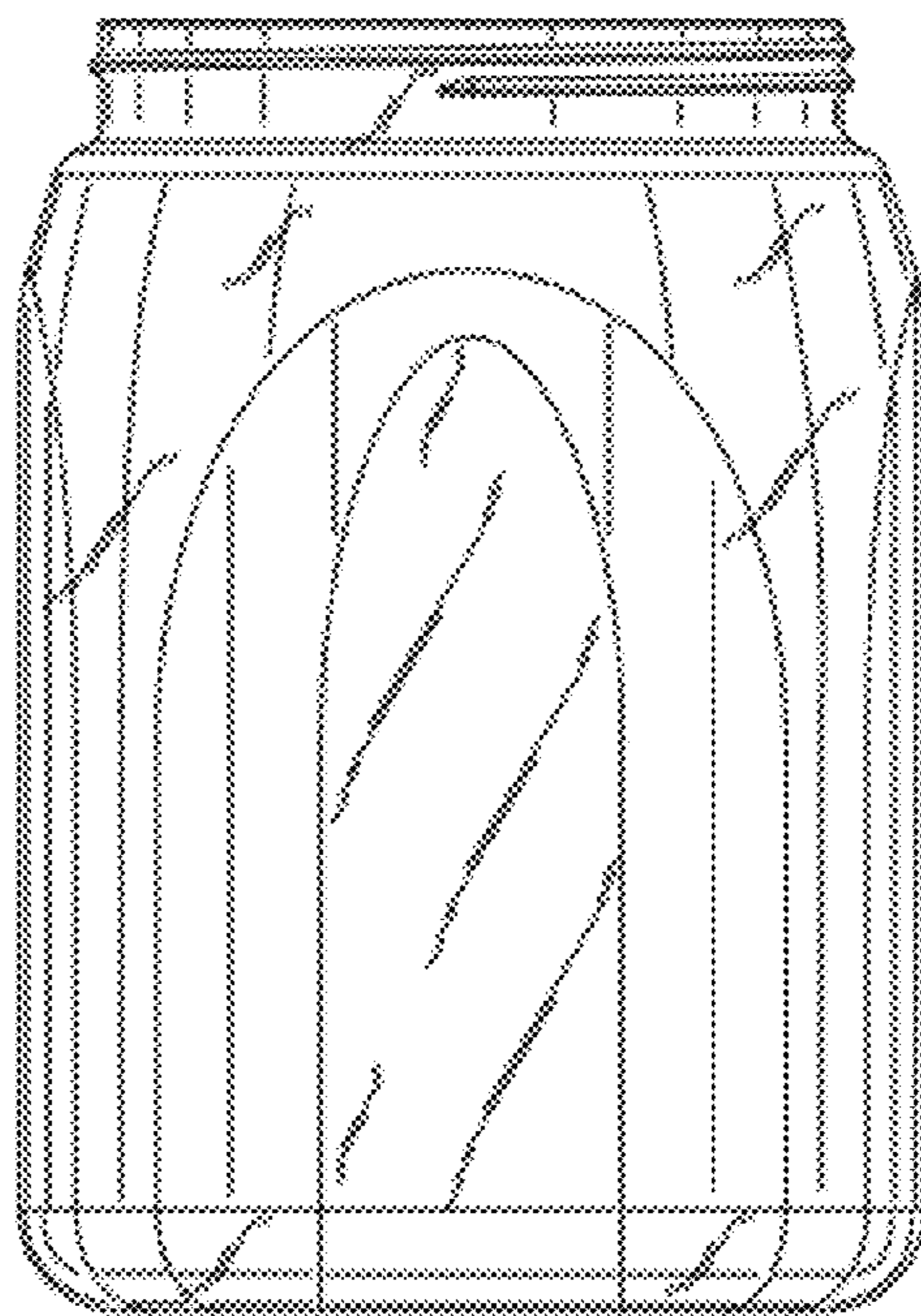


FIG. 21

