

US00D660650S

(12) **United States Design Patent**  
**Moore**

(10) **Patent No.:** **US D660,650 S**

(45) **Date of Patent:** **\*\* May 29, 2012**

(54) **SANDWICH DISPLAY TRAY**

(76) Inventor: **John Moore**, Ocean City, MD (US)

(\*\*) Term: **14 Years**

(21) Appl. No.: **29/395,020**

(22) Filed: **Nov. 14, 2011**

(51) **LOC (9) Cl.** ..... **07-01**

(52) **U.S. Cl.** ..... **D7/553.2**

(58) **Field of Classification Search** ..... D6/407,  
D6/449, 466–467, 475, 512–514, 509–511,  
D6/571–572, 627–628; D7/504, 553.1–553.3,  
D7/550.1; 206/525–526, 557–558, 562,  
206/564; D9/455–456; 211/13.1, 126.1,  
211/126.15, 42, 41.1, 41.3, 41.12; 248/309.1,  
248/311.2

See application file for complete search history.

D489,938 S *	5/2004	Vipond .....	D7/504
D499,607 S *	12/2004	Lyon .....	D7/504
D502,626 S *	3/2005	Georgiadis et al. ....	D6/629
D520,814 S *	5/2006	Wegmann .....	D7/504
D554,912 S *	11/2007	Scicluna et al. ....	D6/492
D554,929 S *	11/2007	Jajdelski et al. ....	D6/629
D563,166 S *	3/2008	Woolfolk et al. ....	D7/504
D573,809 S *	7/2008	Levy et al. ....	D6/457
D595,519 S *	7/2009	Ferguson .....	D6/476
D623,902 S *	9/2010	Henderson et al. ....	D7/553.2
D645,903 S *	9/2011	Tsai .....	D19/90

\* cited by examiner

*Primary Examiner* — Kelley Donnelly

(74) *Attorney, Agent, or Firm* — G. Donald Weber, Jr.

(57) **CLAIM**

The ornamental design for a sandwich display tray, as shown and described.

**DESCRIPTION**

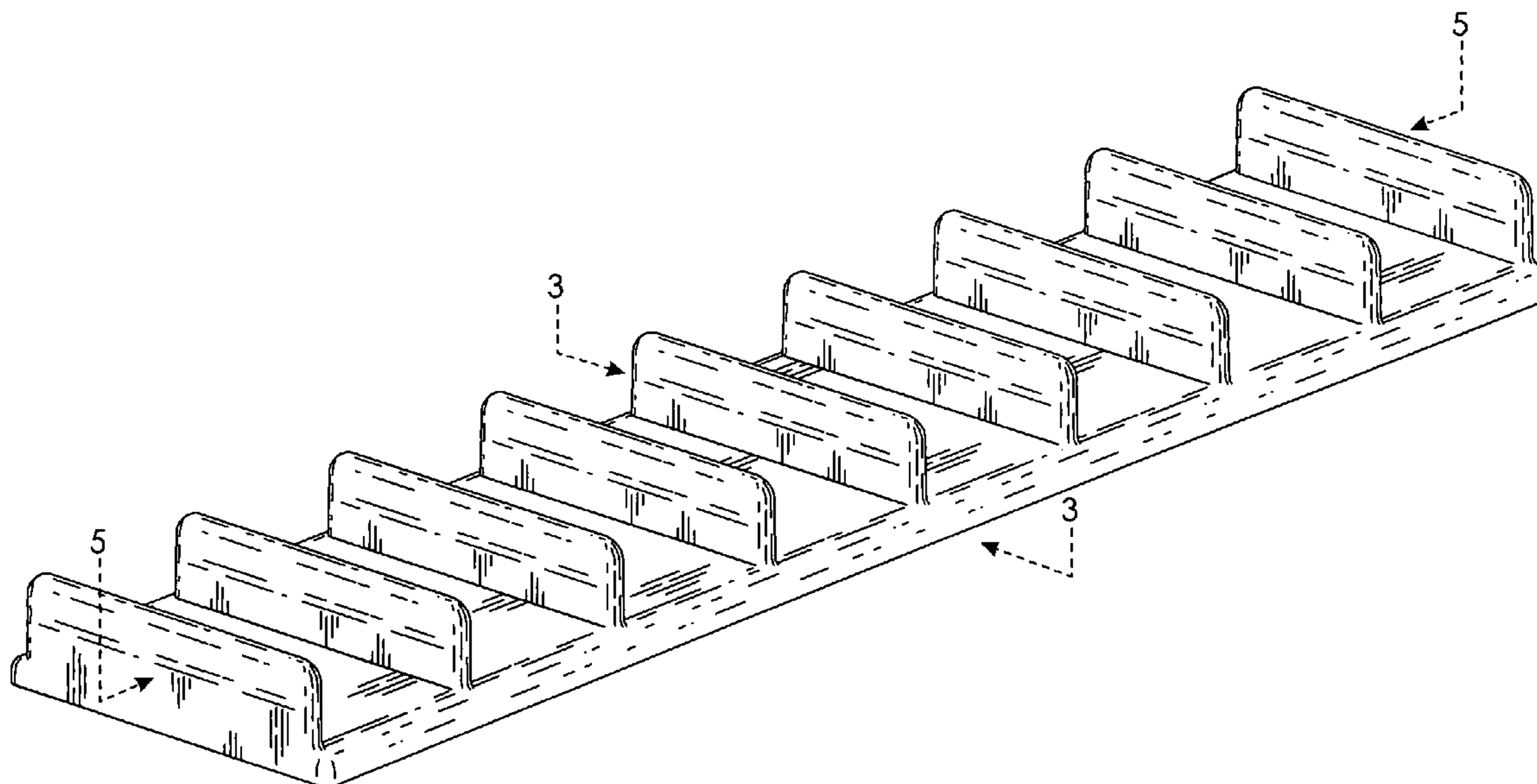
FIG. 1 is a perspective view of a sandwich display tray showing my new design;  
FIG. 2 is a front elevation view thereof; rear elevation view is the mirror image;  
FIG. 3 is a cross-sectional end view of FIG. 1 thereof;  
FIG. 4 is a side elevation view thereof, the opposite side is the mirror image;  
FIG. 5 is a cross-sectional side view of FIG. 1 thereof;  
FIG. 6 is a top plan view thereof; and,  
FIG. 7 is a bottom plan view thereof.

**1 Claim, 3 Drawing Sheets**

(56) **References Cited**

**U.S. PATENT DOCUMENTS**

D246,491 S *	11/1977	D'Alo .....	D6/467
D312,946 S *	12/1990	Schoen .....	D7/504
D332,708 S *	1/1993	Schmidt et al. ....	D6/407
D334,867 S *	4/1993	May .....	D7/504
D336,182 S *	6/1993	Machut .....	D6/467
5,394,986 A *	3/1995	Oya et al. ....	206/445
D378,254 S *	3/1997	Markson .....	D6/449
5,628,245 A *	5/1997	Baze .....	99/426
D396,580 S *	8/1998	Harper .....	D6/467
D402,137 S *	12/1998	Blazevich .....	D6/467
D433,251 S *	11/2000	Blazevich .....	D6/467
D485,459 S *	1/2004	Bidwell et al. ....	D6/511



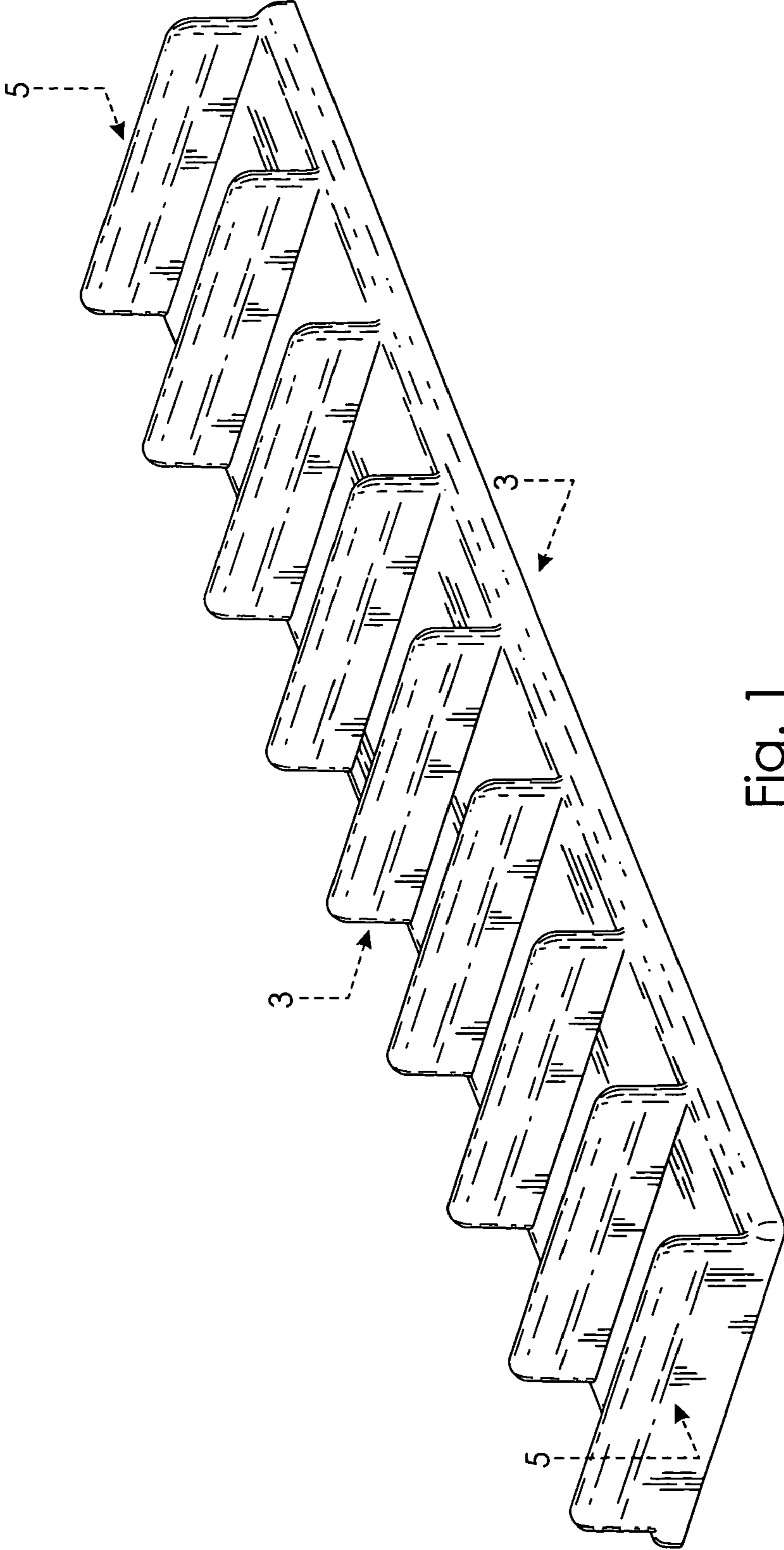


Fig. 1



Fig. 2

Fig. 3

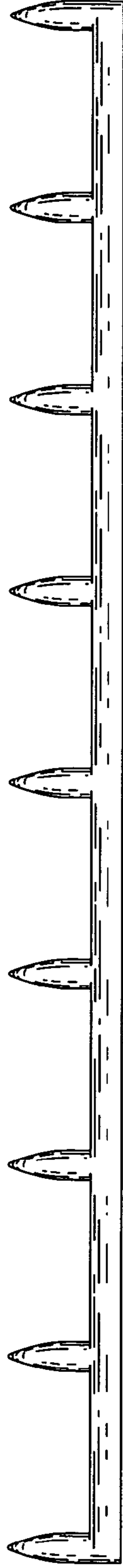


Fig. 4

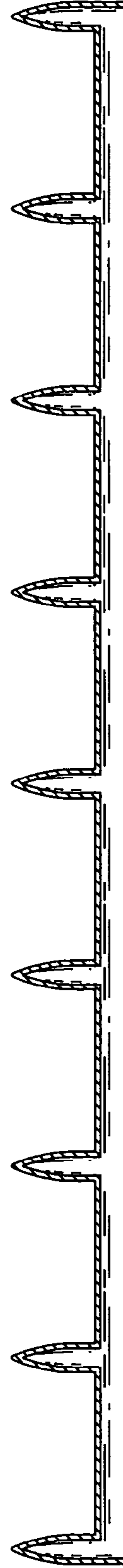


Fig. 5

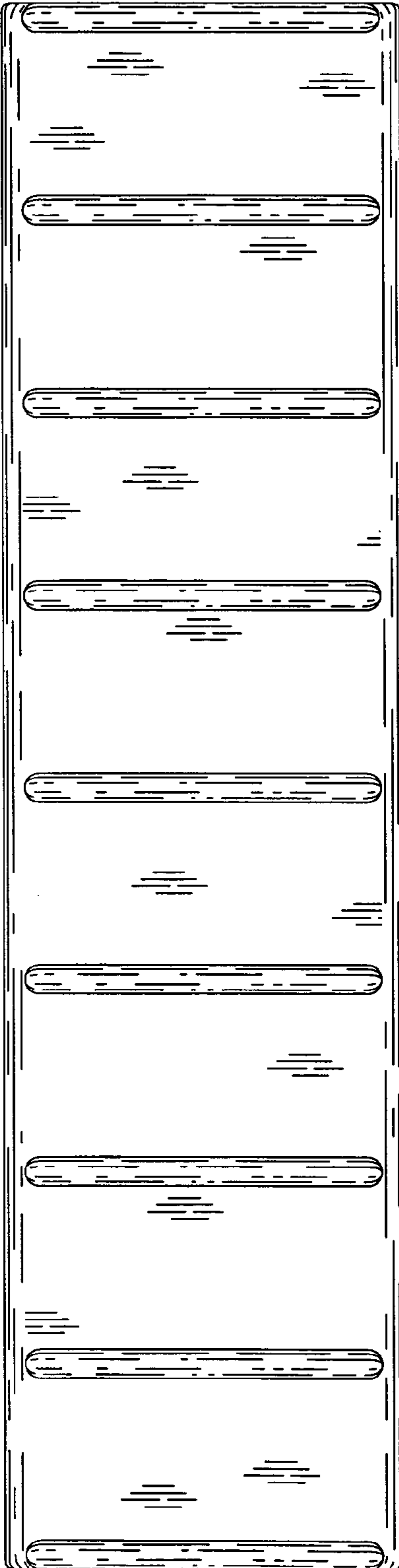


Fig. 6

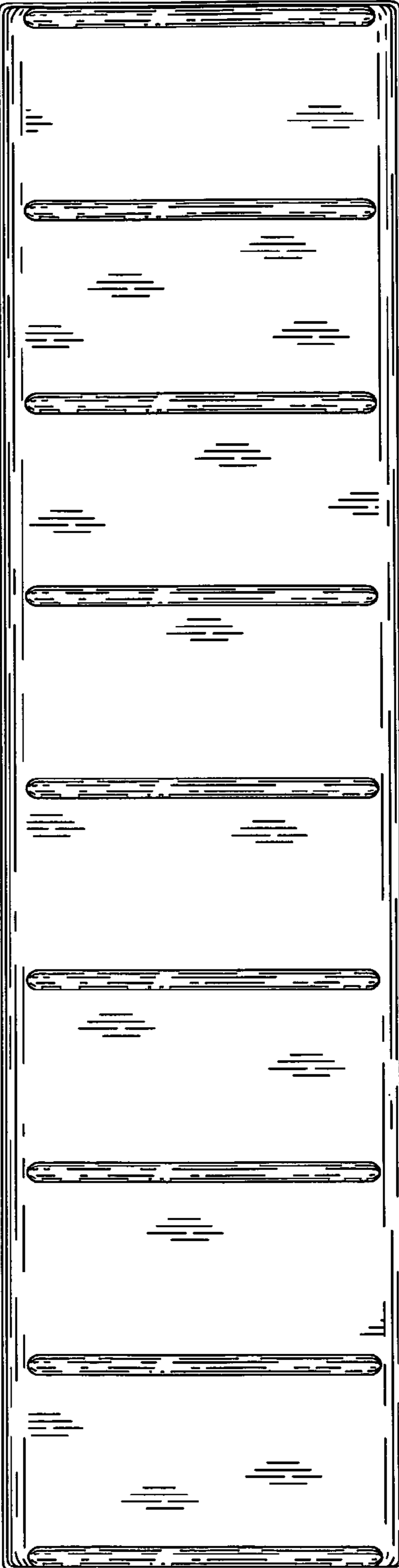


Fig. 7