



US00D660647S

(12) **United States Design Patent**
Casey et al.

(10) **Patent No.:** **US D660,647 S**

(45) **Date of Patent:** **** May 29, 2012**

(54) **OVEN RACK**

(75) Inventors: **Warren Casey**, Georgetown, IN (US);
Ted Henderson, Hartford, WI (US);
Tom Stollenwerk, Mayville, WI (US);
Jan Bartelick, Germantown, WI (US)

(73) Assignee: **Alto-Shaam, Inc.**, Menomonee Falls,
WI (US)

(**) Term: **14 Years**

(21) Appl. No.: **29/407,460**

(22) Filed: **Nov. 29, 2011**

(51) **LOC (9) Cl.** **07-02**

(52) **U.S. Cl.** **D7/408**

(58) **Field of Classification Search** D6/462–463,
D6/513, 566, 323; D7/323, 329–332, 337,
D7/339, 346–347, 354–363, 387, 391, 393,
D7/395, 402, 408, 409, 411, 504; D19/90;
99/324–325, 331–332, 337–340, 355, 369,
99/403–419, 425–426, 444, 450; 211/41.2,
211/57.1, 74, 85.4, 106, 181.1; 220/485,
220/491, 573.1–573.5, 759, 912

See application file for complete search history.

(56) **References Cited**

U.S. PATENT DOCUMENTS

D192,017 S *	1/1962	Perman	D6/463
3,585,922 A *	6/1971	Peterson et al.	99/355
D253,156 S *	10/1979	Bengloff	D6/566
D256,874 S *	9/1980	Rein et al.	D7/411
D270,608 S *	9/1983	Spanek et al.	D7/409
4,848,217 A *	7/1989	Koziol	99/426
5,069,117 A *	12/1991	Schlessel	D7/409
D343,549 S *	1/1994	Marshall, Jr.	D7/387
D359,880 S *	7/1995	Fielding et al.	D7/323
D363,000 S *	10/1995	Buff, IV	D7/323

D387,949 S *	12/1997	Bentson	D7/504
5,842,409 A *	12/1998	Loffler et al.	
6,119,588 A *	9/2000	Tiemann	99/426
D444,340 S *	7/2001	Wang	D7/323
D479,435 S *	9/2003	Siegel et al.	D7/409
D535,855 S *	1/2007	Adams	D7/409
D538,106 S *	3/2007	Julian	D7/409
D542,092 S *	5/2007	Raichlen et al.	D7/409

(Continued)

FOREIGN PATENT DOCUMENTS

EP 0556698 8/1993

(Continued)

OTHER PUBLICATIONS

Convotherm Webpage, New—ConvoChicken Option, Manitowoc
Foodservice, 2011.

(Continued)

Primary Examiner — T. Chase Nelson

Assistant Examiner — Mark Cavanna

(74) *Attorney, Agent, or Firm* — Boyle Fredrickson, S.C.

(57) **CLAIM**

The ornamental design for an oven rack, substantially as
shown and described.

DESCRIPTION

FIG. 1 is an isometric view of an oven rack showing our new
design;

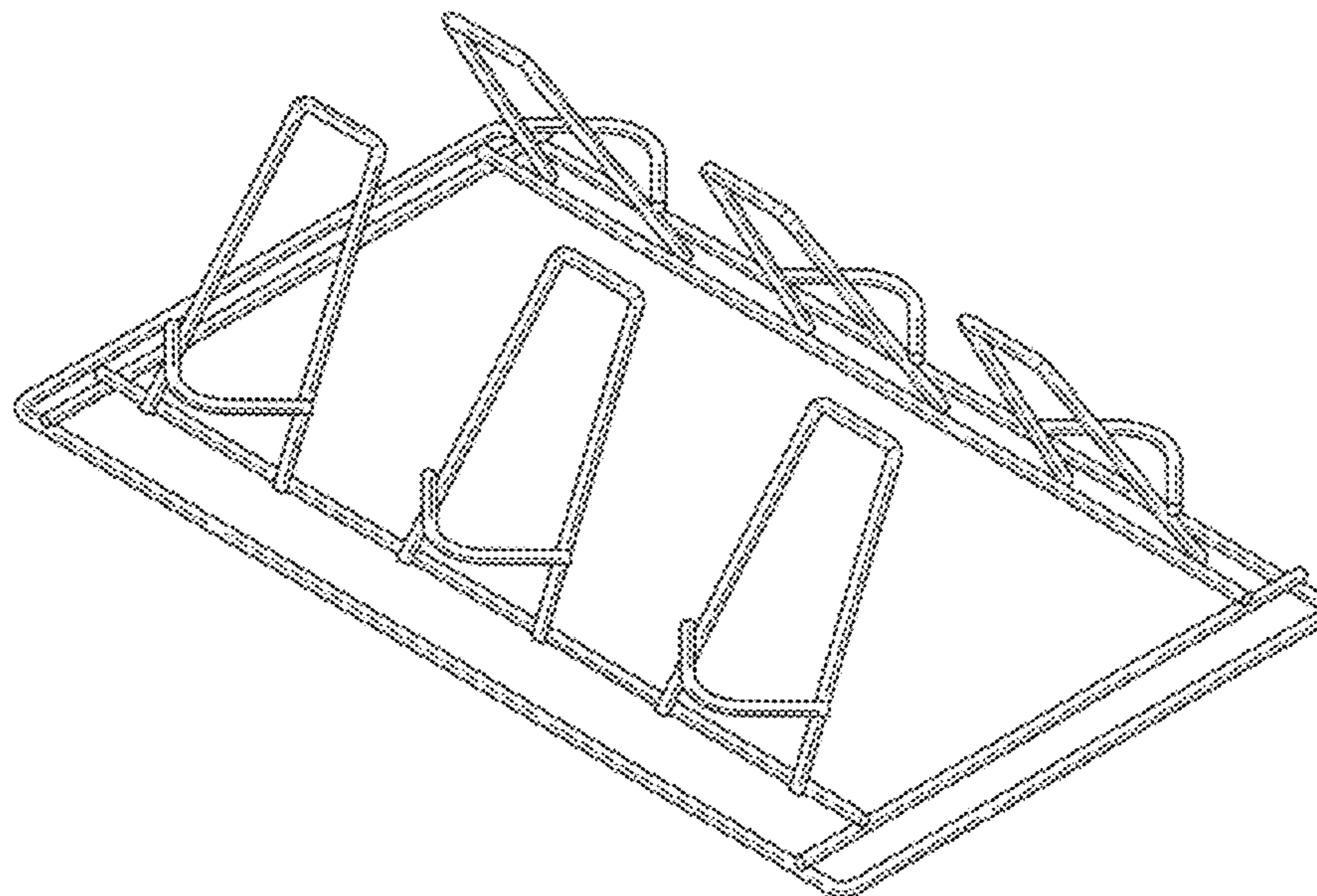
FIG. 2 is a front elevation view of the oven rack of FIG. 1;

FIG. 3 is a right side elevation view of the oven rack of FIG.
1;

FIG. 4 is a top plan view of the oven rack of FIG. 1; and,

FIG. 5 is a bottom plan view of the oven rack of FIG. 1.

1 Claim, 5 Drawing Sheets



US D660,647 S

Page 2

U.S. PATENT DOCUMENTS

D555,203 S * 11/2007 Goodman et al. D19/90
D558,521 S * 1/2008 Fouse D7/409
7,565,863 B2 * 7/2009 Tschetter et al. 99/419
7,669,523 B1 * 3/2010 Zemel et al. 99/425
7,942,278 B2 5/2011 Martin et al.
D639,613 S * 6/2011 Goodman et al. D19/90
D648,174 S * 11/2011 Lu D7/354

FOREIGN PATENT DOCUMENTS

GB 2232876 1/1991

OTHER PUBLICATIONS

Rational Webpage, Patented Superspike for chicken and duck, Rational Ovens.

* cited by examiner

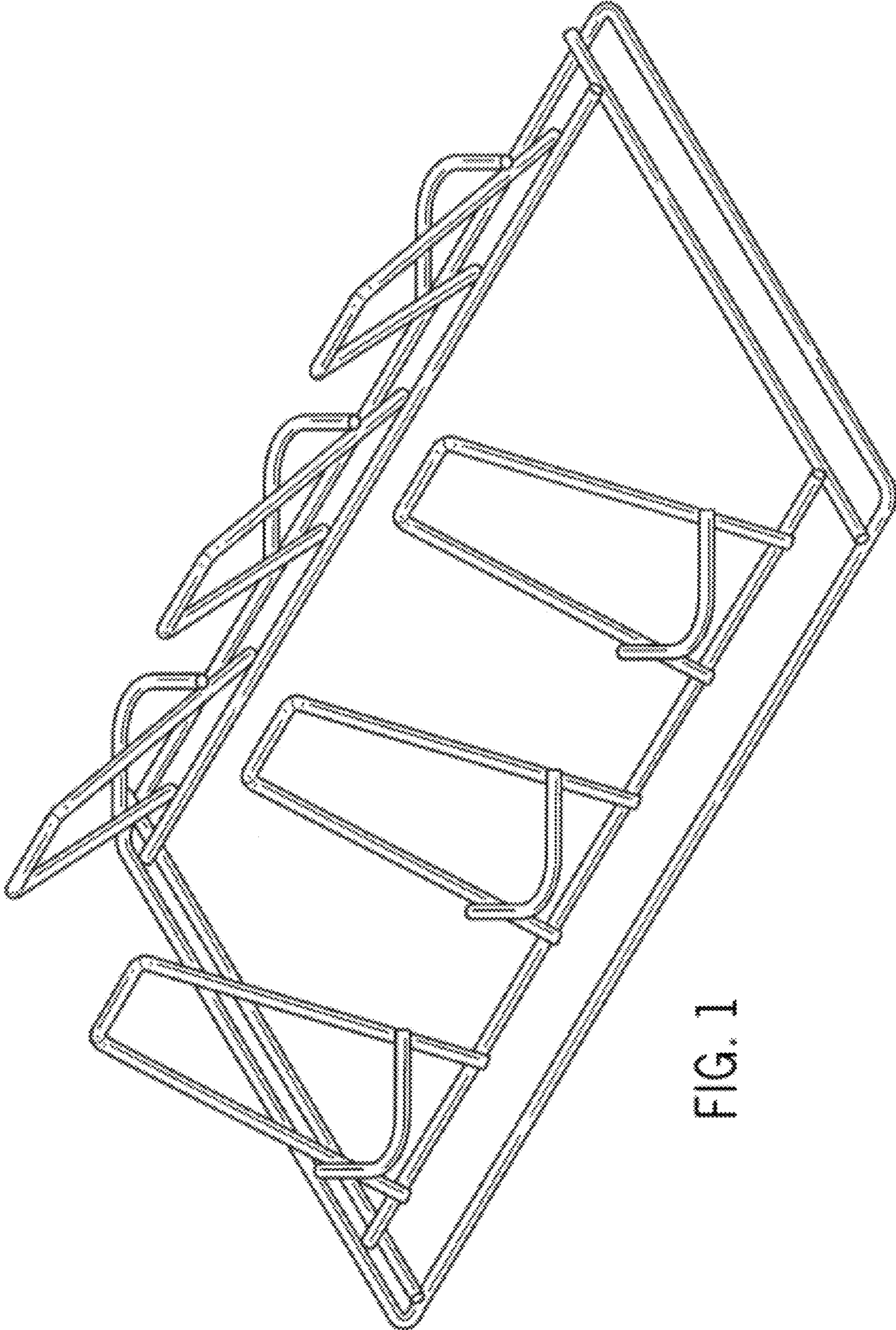


FIG. 1

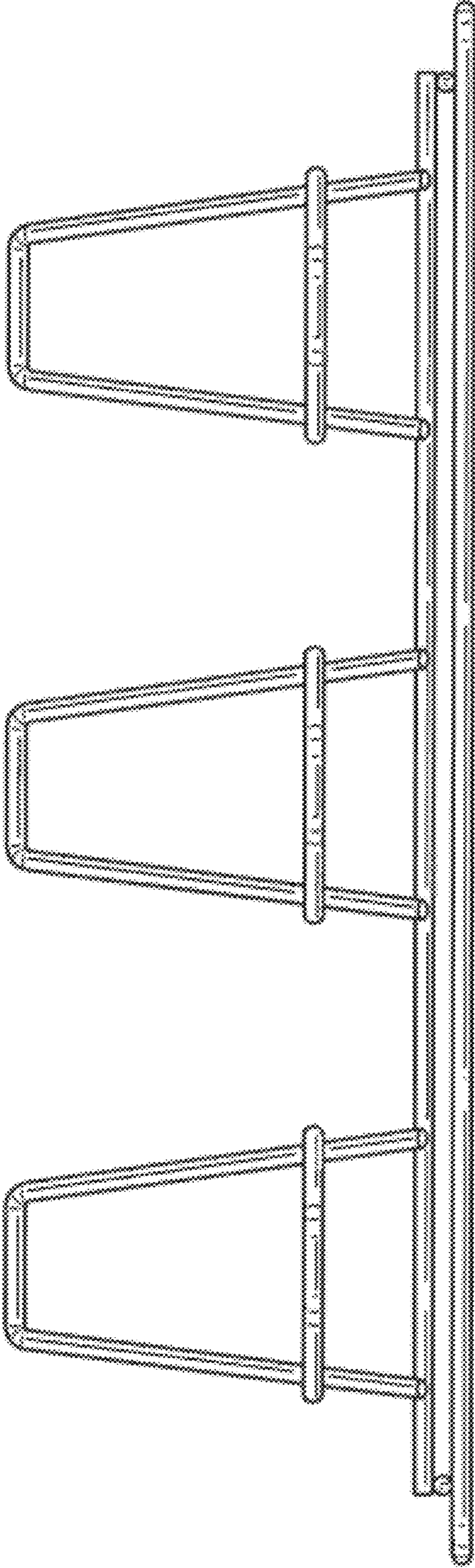


FIG. 2

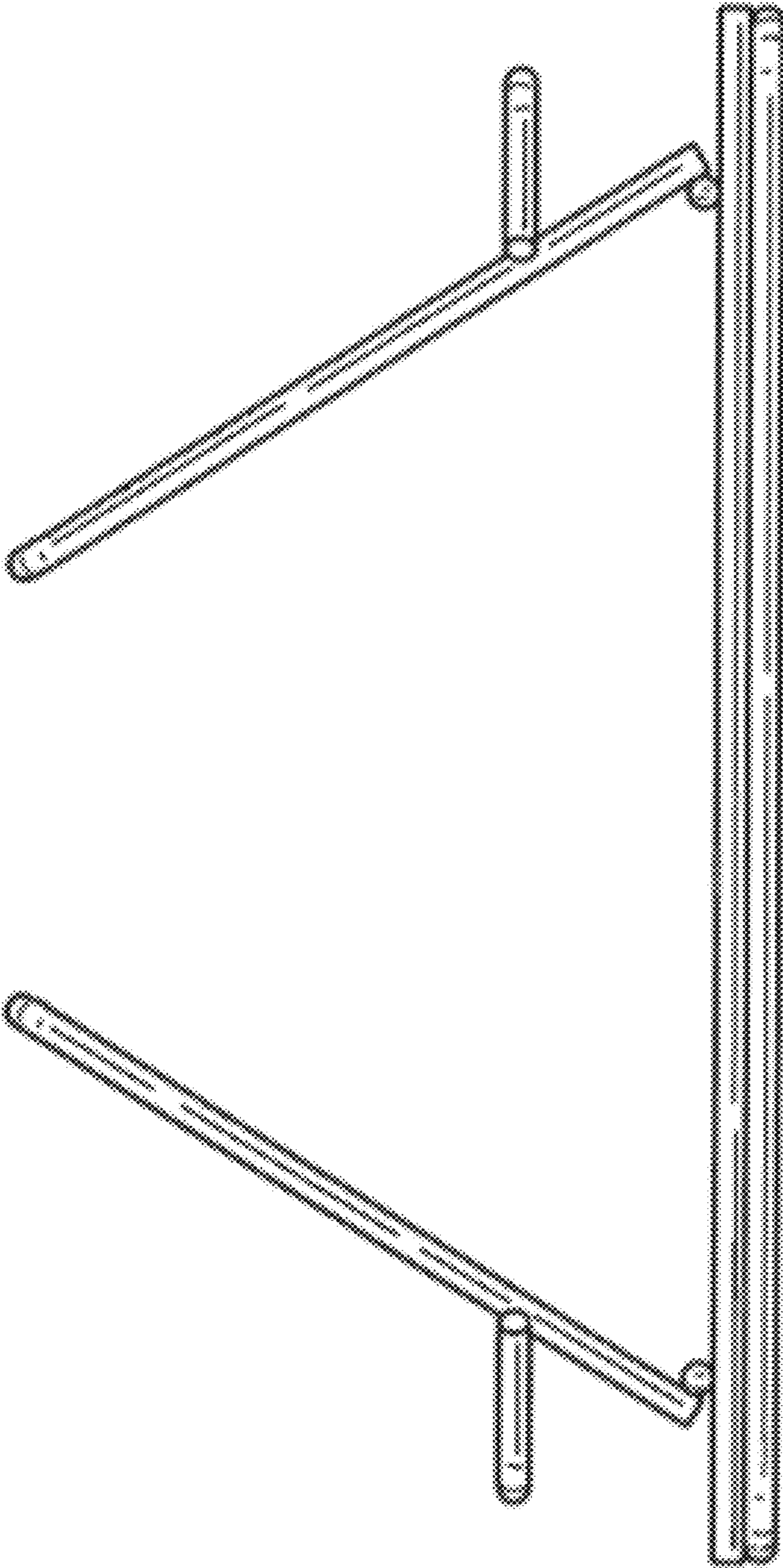


FIG. 3

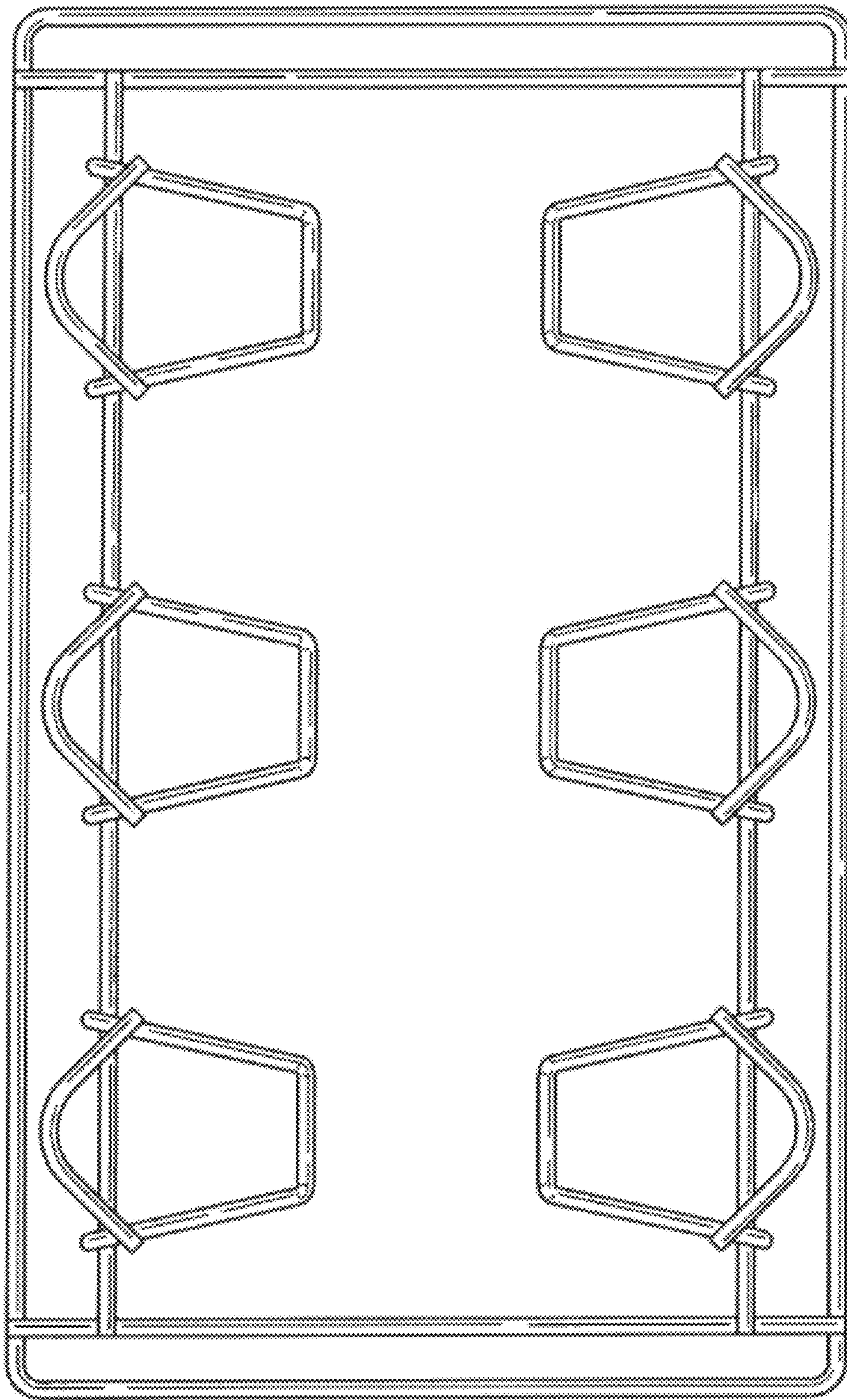


FIG. 4

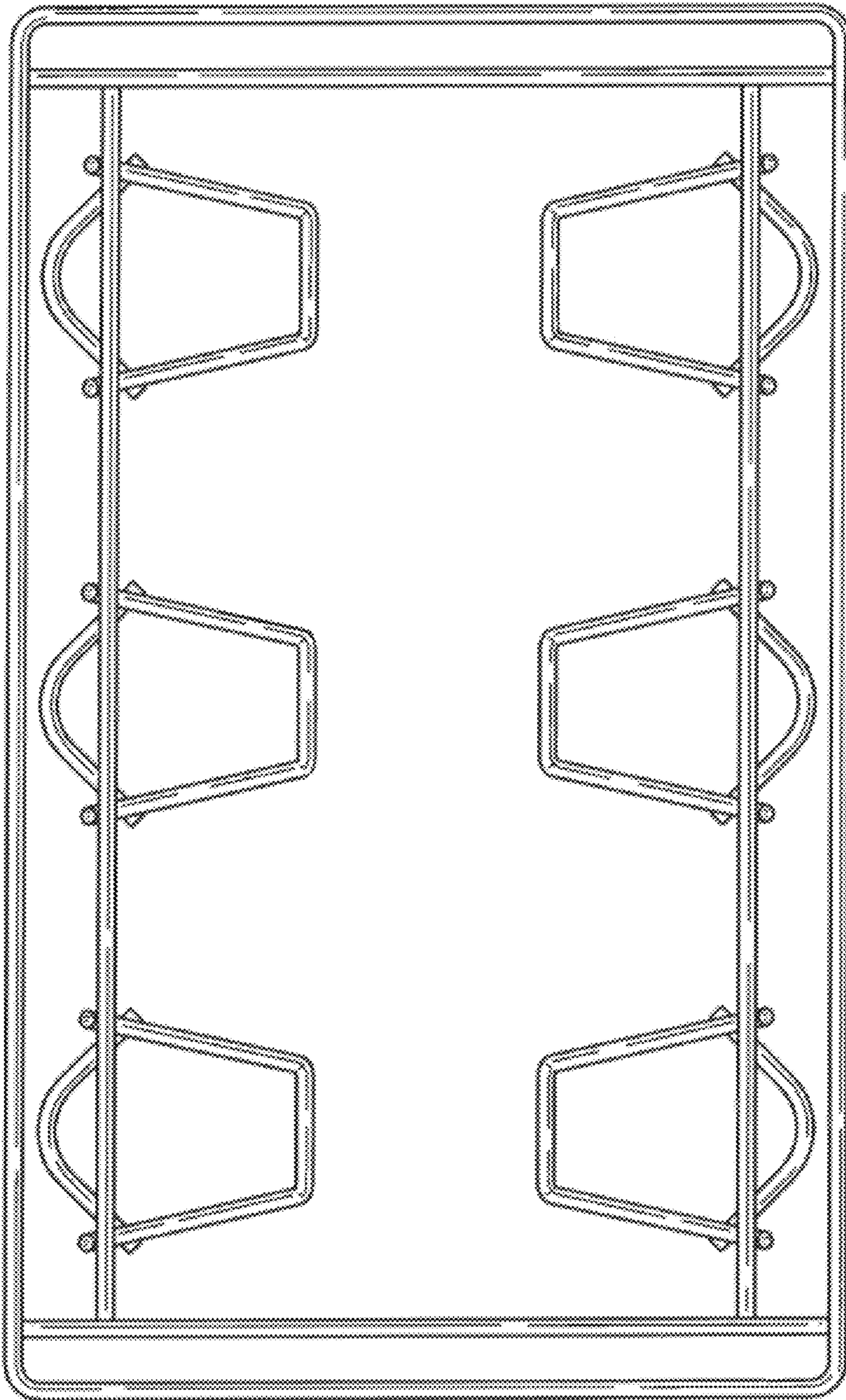


FIG. 5