

US00D660646S

(12) **United States Design Patent**
Simms, II

(10) **Patent No.:** **US D660,646 S**

(45) **Date of Patent:** **** May 29, 2012**

(54) **PAIR OF LIDS FOR A DUAL GRILL**

(75) Inventor: **John Lee Simms, II**, Atlanta, GA (US)

(73) Assignee: **A&J Manufacturing, LLC**, Sea Island, GA (US)

(**) Term: **14 Years**

(21) Appl. No.: **29/392,019**

(22) Filed: **May 16, 2011**

Related U.S. Application Data

(63) Continuation of application No. 11/193,320, filed on Jul. 30, 2005.

(51) **LOC (9) Cl.** **07-02**

(52) **U.S. Cl.** **D7/402**

(58) **Field of Classification Search** D7/332, D7/334-337, 402-405, 338, 417; 125/25 R, 125/25 A, 25 AA, 25 B, 273 R, 9 R, 38, 40, 125/50, 9 B, 48, 29-30, 43-44, 26, 372, 314, 125/307 R, 312, 292; 99/339, 448, 449, 99/481-482, 516, 340-341; 431/331
See application file for complete search history.

(56) **References Cited**

U.S. PATENT DOCUMENTS

D165,998 S *	2/1952	Pollard	D7/334
2,666,426 A *	1/1954	Pollard	126/25 R
2,687,716 A *	8/1954	Wong	126/345
2,817,331 A	12/1957	Kaplan et al.		
2,902,026 A *	9/1959	Hathorn, Jr.	126/25 R
2,903,549 A	9/1959	Joseph		
D196,553 S *	10/1963	Mayer	D7/334
3,477,580 A *	11/1969	Willinger	210/167.23
3,541,947 A	11/1970	Anderson		
D229,660 S *	12/1973	Gammon	D7/332
3,802,413 A	4/1974	Pepin		
3,868,942 A *	3/1975	Lewis	126/25 R
D235,088 S *	5/1975	Erikson	D7/332
4,090,490 A *	5/1978	Riley et al.	126/25 R

4,170,173 A *	10/1979	Bradford	99/341
D255,863 S *	7/1980	Futch	D7/334
4,392,419 A	7/1983	Bonny		
4,665,891 A *	5/1987	Nemec et al.	126/25 R
4,677,964 A	7/1987	Lohmeyer et al.		
4,700,618 A	10/1987	Cox, Jr.		
4,773,319 A	9/1988	Holland		
4,809,671 A	3/1989	Vallejo, Jr.		
4,878,477 A	11/1989	McLane		
4,886,045 A	12/1989	Ducate et al.		
4,934,333 A	6/1990	Ducate et al.		
5,070,857 A *	12/1991	Sarten	126/25 R
5,076,252 A	12/1991	Schlosser et al.		
5,195,423 A	3/1993	Beller		
5,213,027 A	5/1993	Tsotsos et al.		
5,460,159 A	10/1995	Bussey		
5,481,964 A	1/1996	Kitten		
5,528,984 A	6/1996	Saurwein		
5,566,606 A	10/1996	Johnston		

(Continued)

OTHER PUBLICATIONS

U.S. Appl. No. 60/952,428, filed Jul. 31, 2004, Simms, II.

(Continued)

Primary Examiner — Ruth McInroy

(74) *Attorney, Agent, or Firm* — Lee & Hayes, PLLC

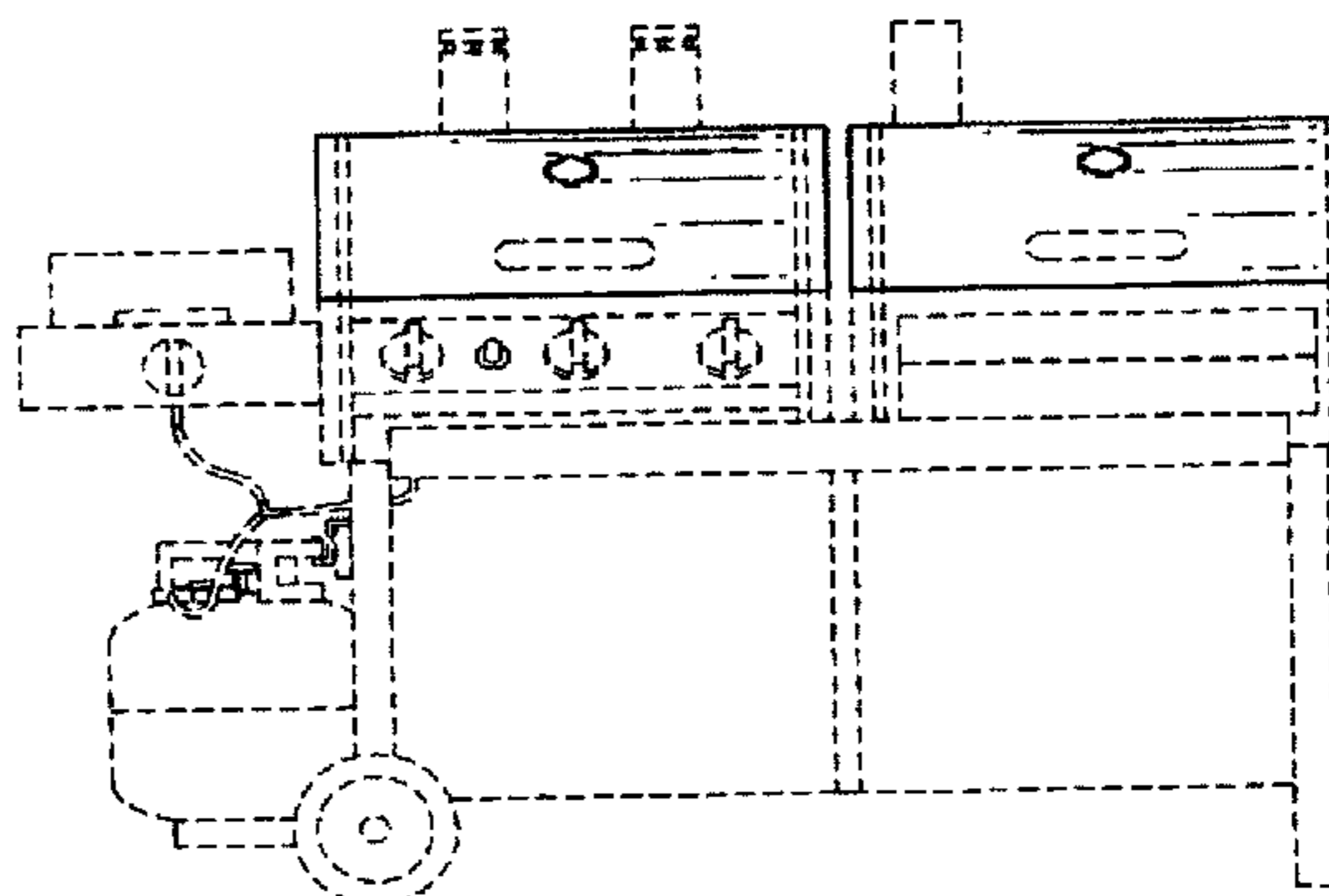
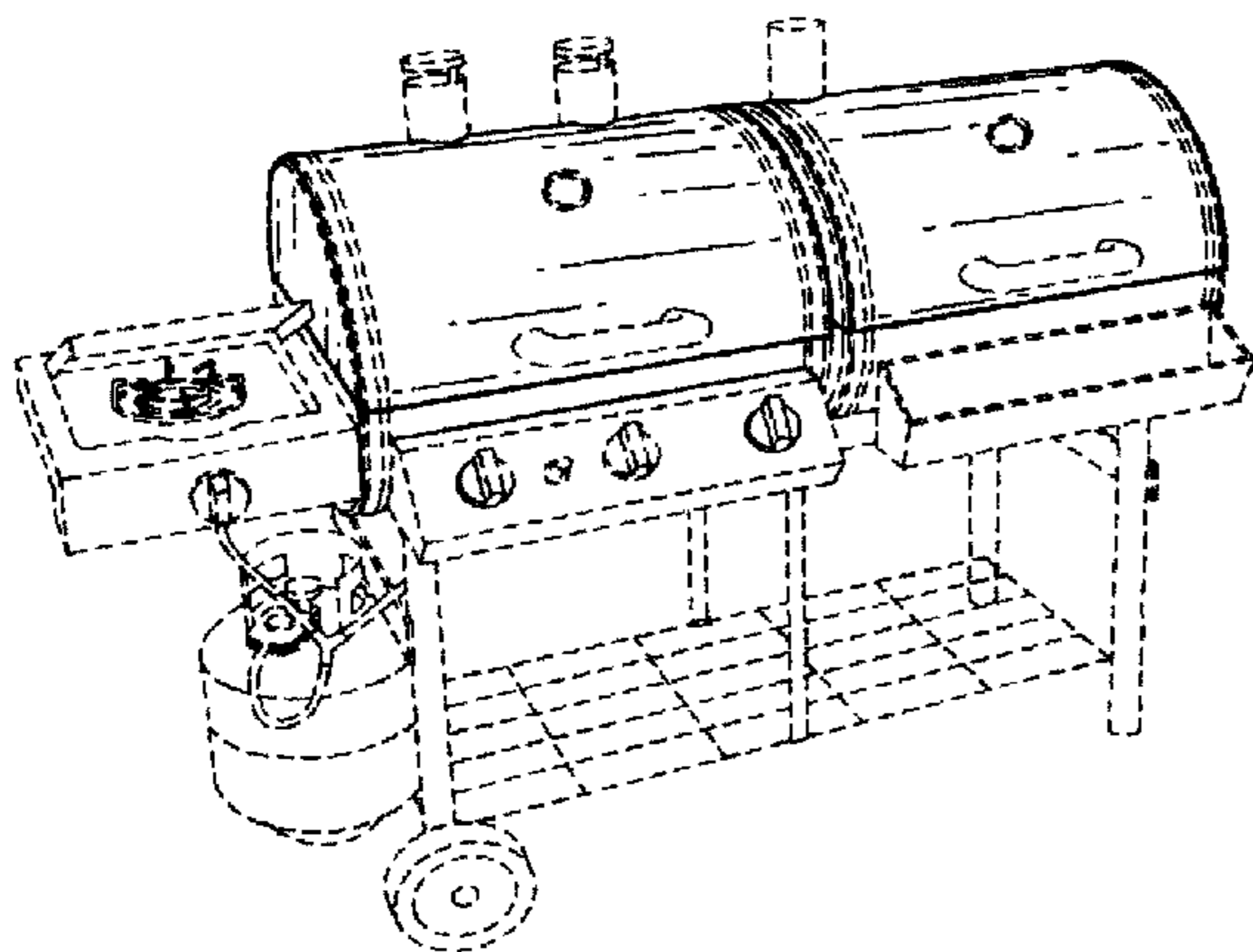
(57) **CLAIM**

The ornamental design for a pair of lids for a dual grill, as shown and described.

DESCRIPTION

FIG. 1 is a perspective view of a pair of lids for a dual grill showing my new design;
FIG. 2 is a front view thereof.
FIG. 3 is a rear view thereof.
FIG. 4 is a left side view thereof.
FIG. 5 is a right side view thereof.
FIG. 6 is a top view thereof; and,
FIG. 7 is a bottom view thereof.

1 Claim, 3 Drawing Sheets



US D660,646 S

Page 2

U.S. PATENT DOCUMENTS

5,706,797 A 1/1998 Moore, Jr. et al.
5,752,497 A * 5/1998 Combs et al. 126/25 R
5,768,977 A 6/1998 Parris et al.
5,893,357 A 4/1999 Royer et al.
6,039,039 A 3/2000 Pina, Jr.
6,103,289 A 8/2000 Tippmann et al.
6,145,431 A 11/2000 Tippmann et al.
6,189,528 B1 * 2/2001 Oliver 126/25 R
6,209,533 B1 4/2001 Ganard
6,257,130 B1 7/2001 Schlosser
D447,913 S * 9/2001 Cragg D7/402
6,439,221 B1 8/2002 Ward et al.
6,508,165 B2 1/2003 Johnson
6,523,461 B1 2/2003 Johnston et al.
6,557,545 B2 5/2003 Williams
6,564,793 B2 5/2003 DeClue
6,606,986 B2 * 8/2003 Holland et al. 126/25 R
6,626,089 B1 9/2003 Hubert

D483,602 S * 12/2003 Murray D7/334
6,681,759 B2 * 1/2004 Bentulan 126/25 R
D491,410 S * 6/2004 Saunders D7/334
6,820,538 B2 11/2004 Roescher
7,159,509 B2 1/2007 Starkey
D607,263 S * 1/2010 Antwine D7/334
D636,217 S * 4/2011 Slater et al. D7/334
2002/0106428 A1 8/2002 Szykowski
2003/0019492 A1 * 1/2003 Williams 126/41 R
2010/0083947 A1 * 4/2010 Guillory et al. 126/25 R
2010/0258106 A1 * 10/2010 Simms, II 126/25 R

OTHER PUBLICATIONS

U.S. Appl. No. 60/592,429, filed Jul. 31, 2004, Simms, II.
U.S. Appl. No. 11/193,320, filed Jul. 30, 2005, Simms, II.
U.S. Appl. No. 29/392,027, filed May 16, 2011, Simms, II.
Hughes, R., "Be A Grill Master," *Vertical*, Jul./Aug., 2010, 2 pages.

* cited by examiner

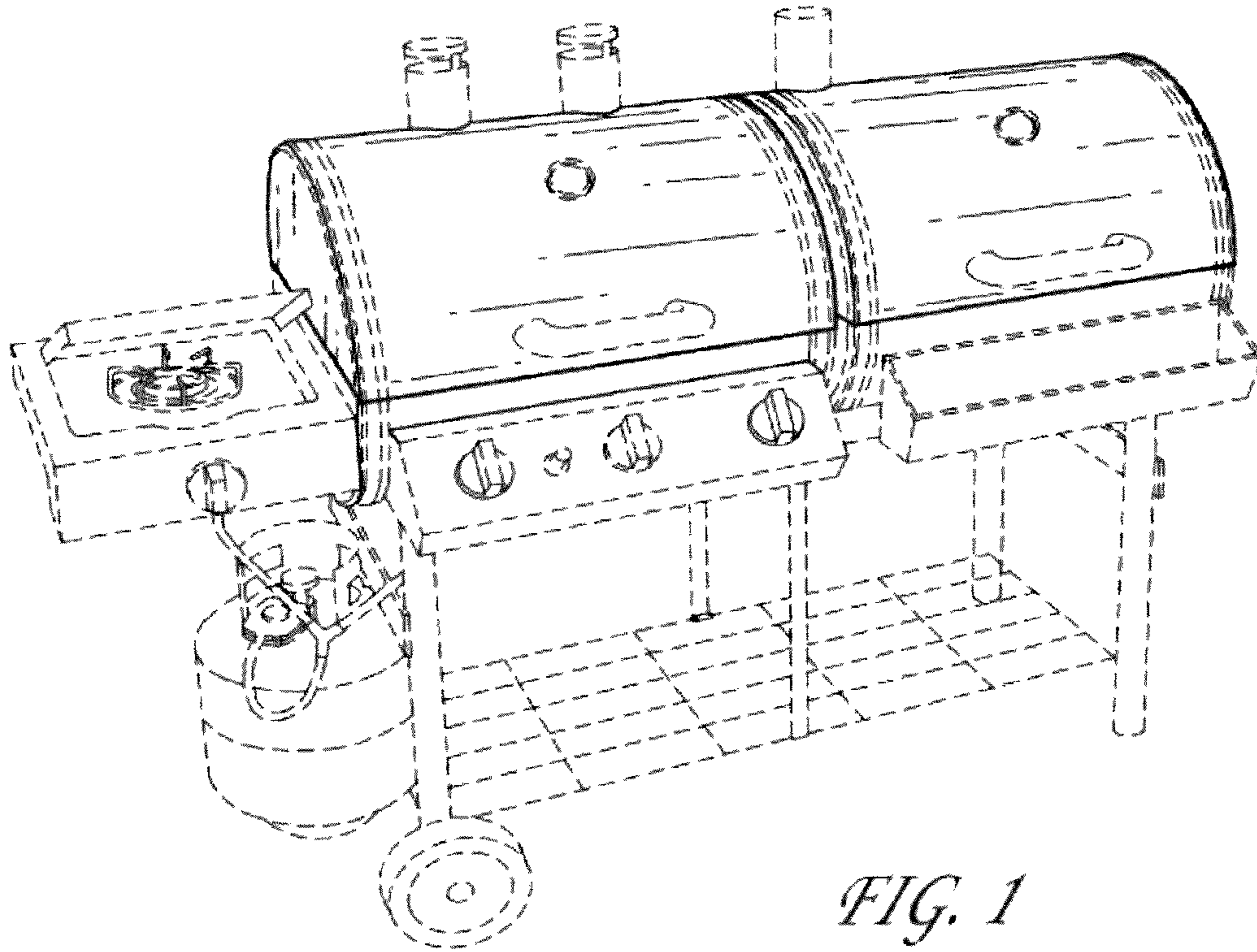


FIG. 1

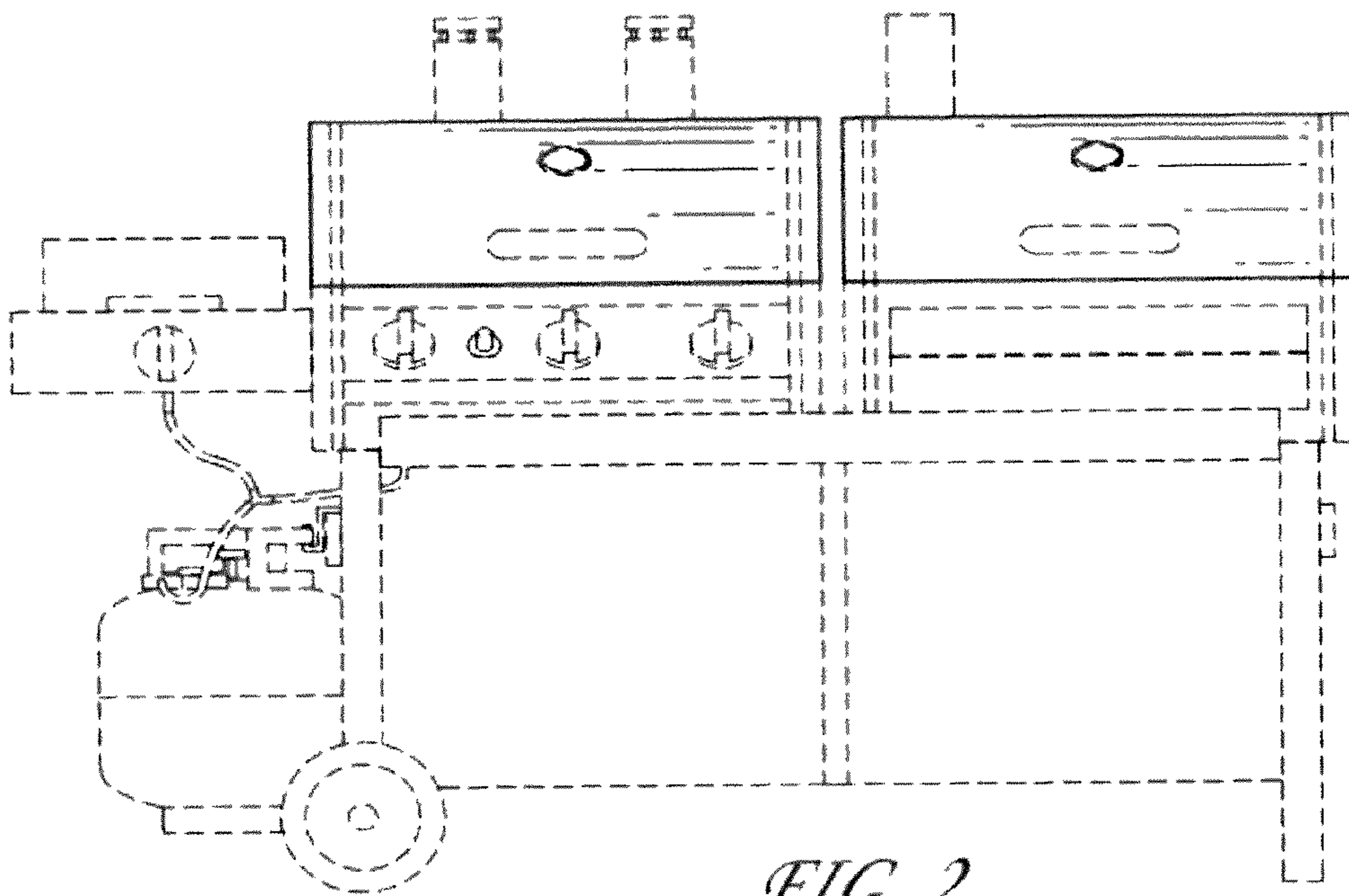


FIG. 2

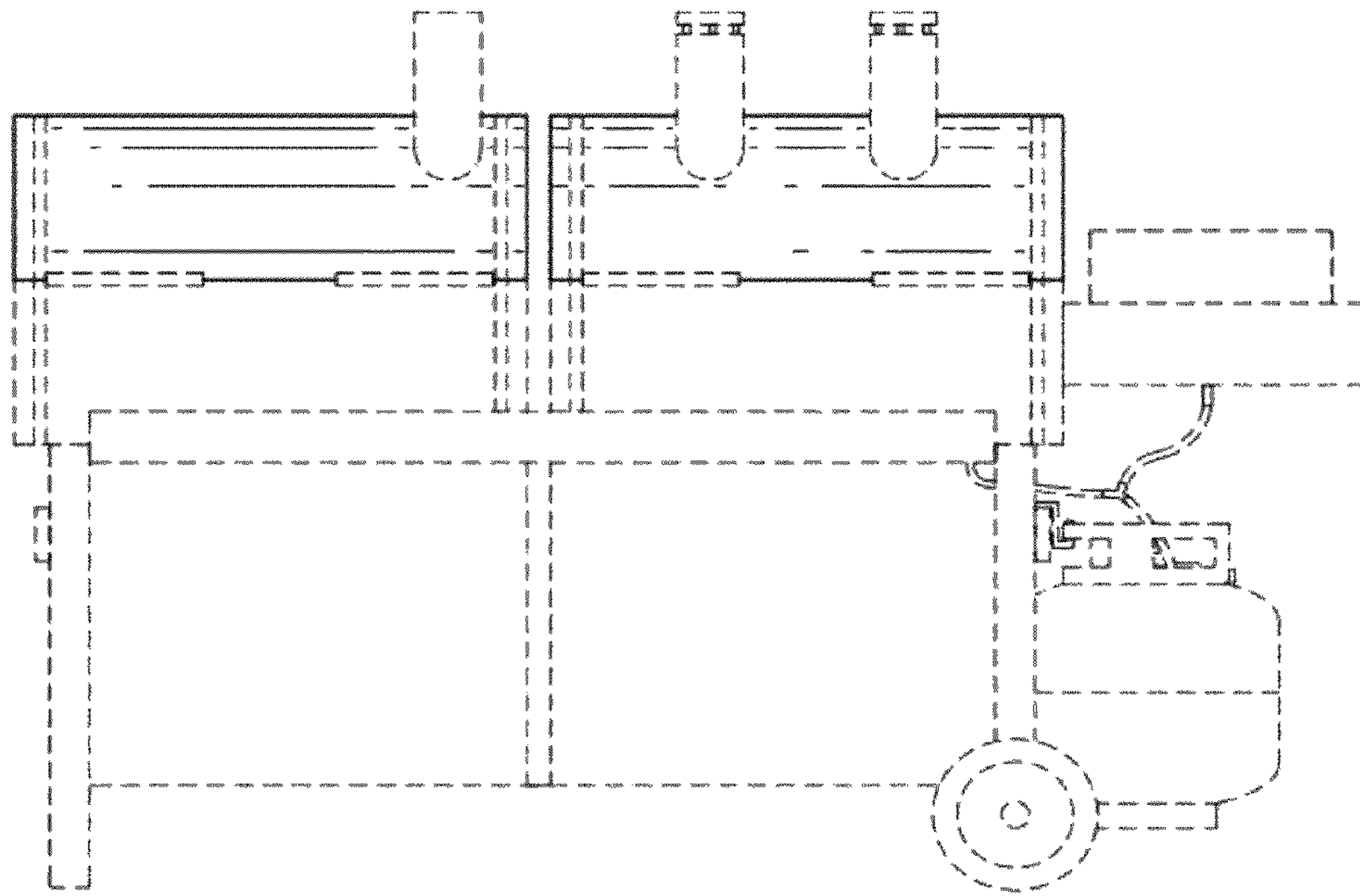


FIG. 3

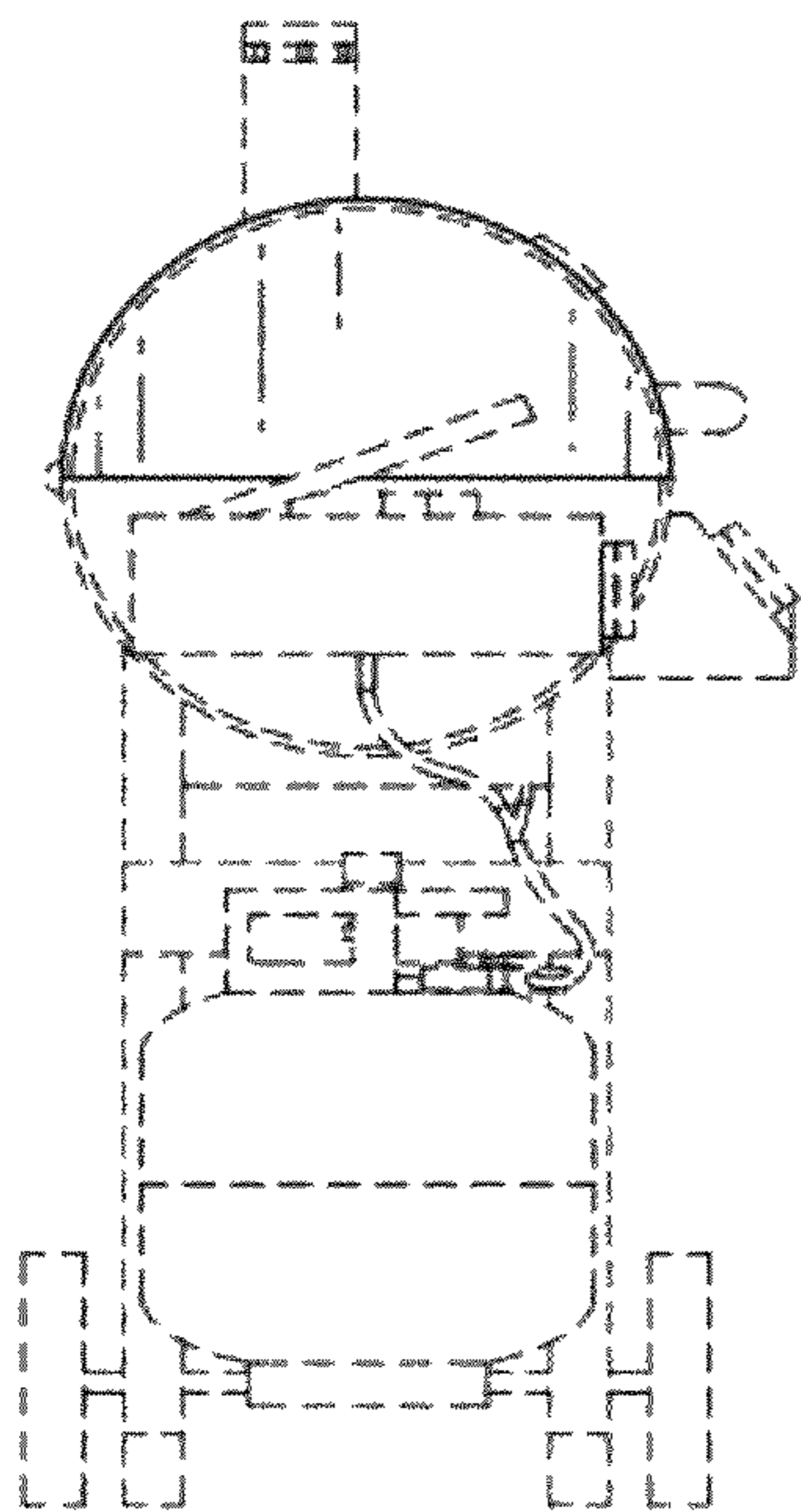


FIG. 4

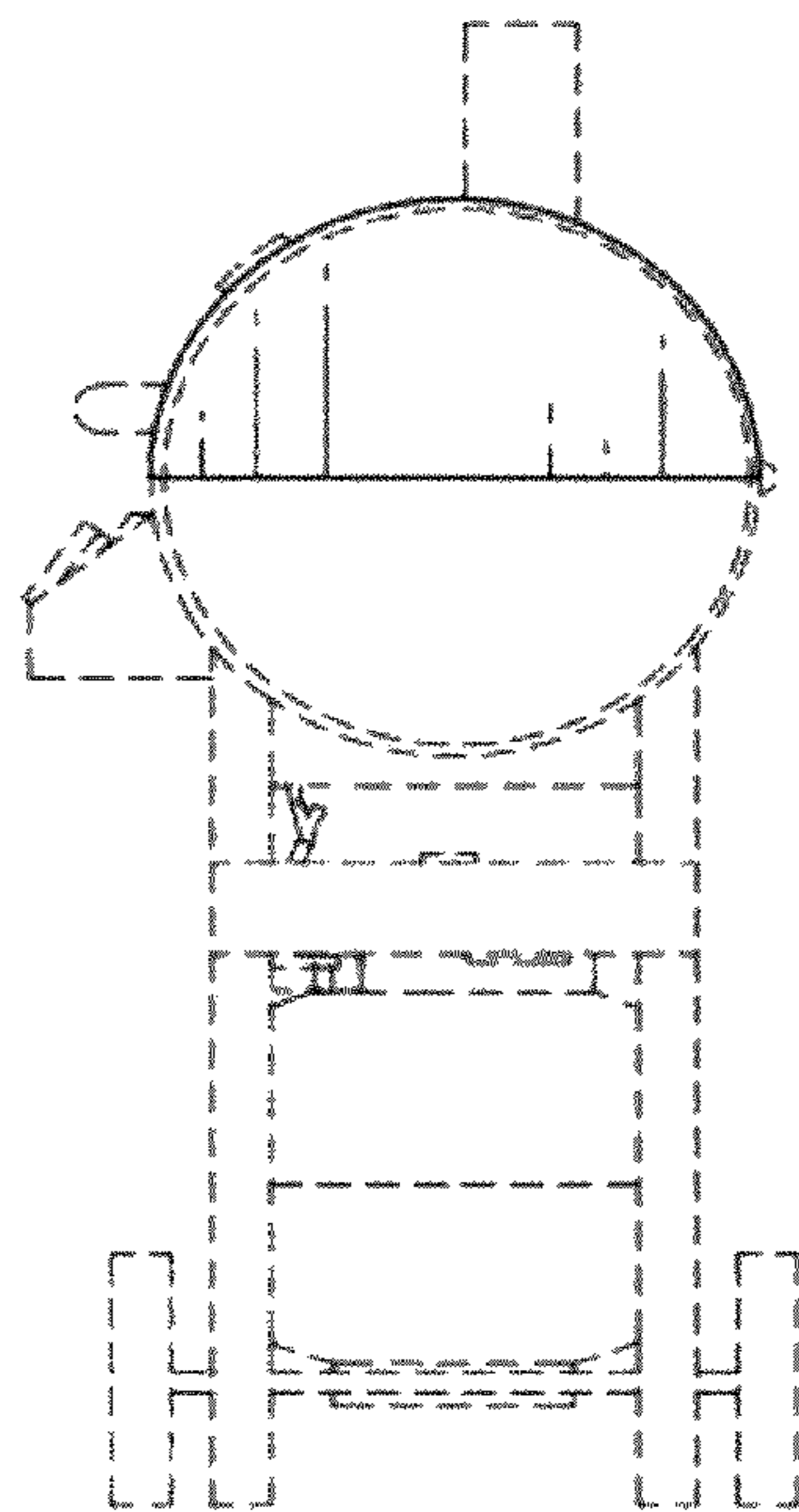


FIG. 5

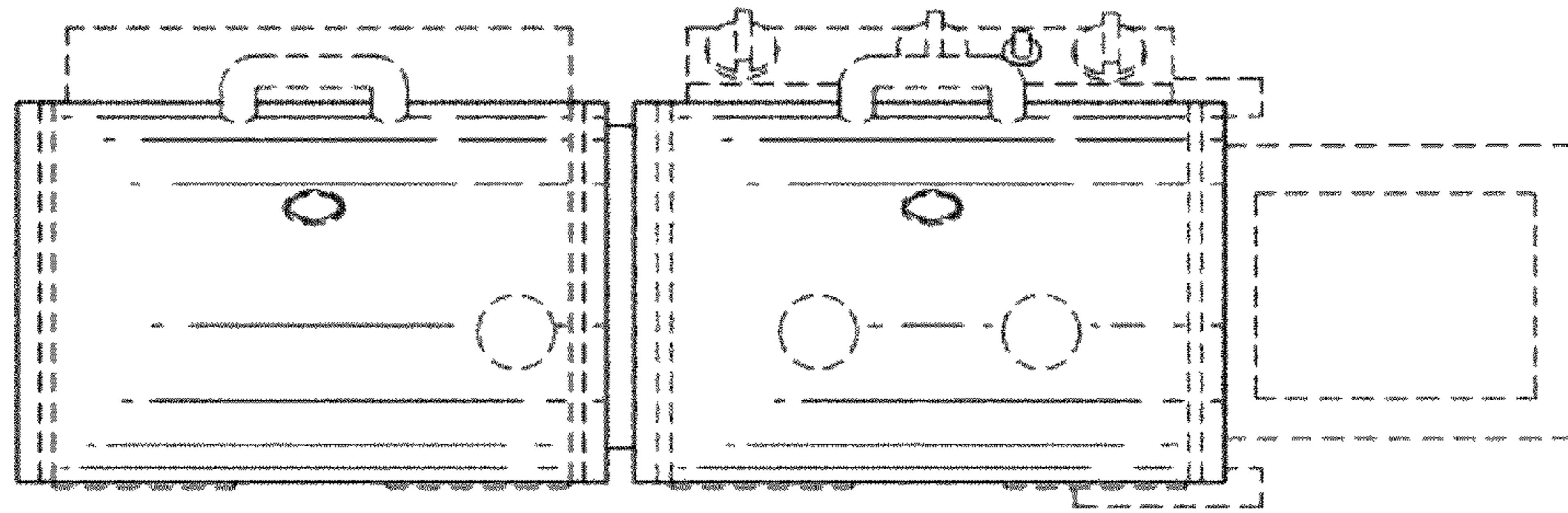


FIG. 6

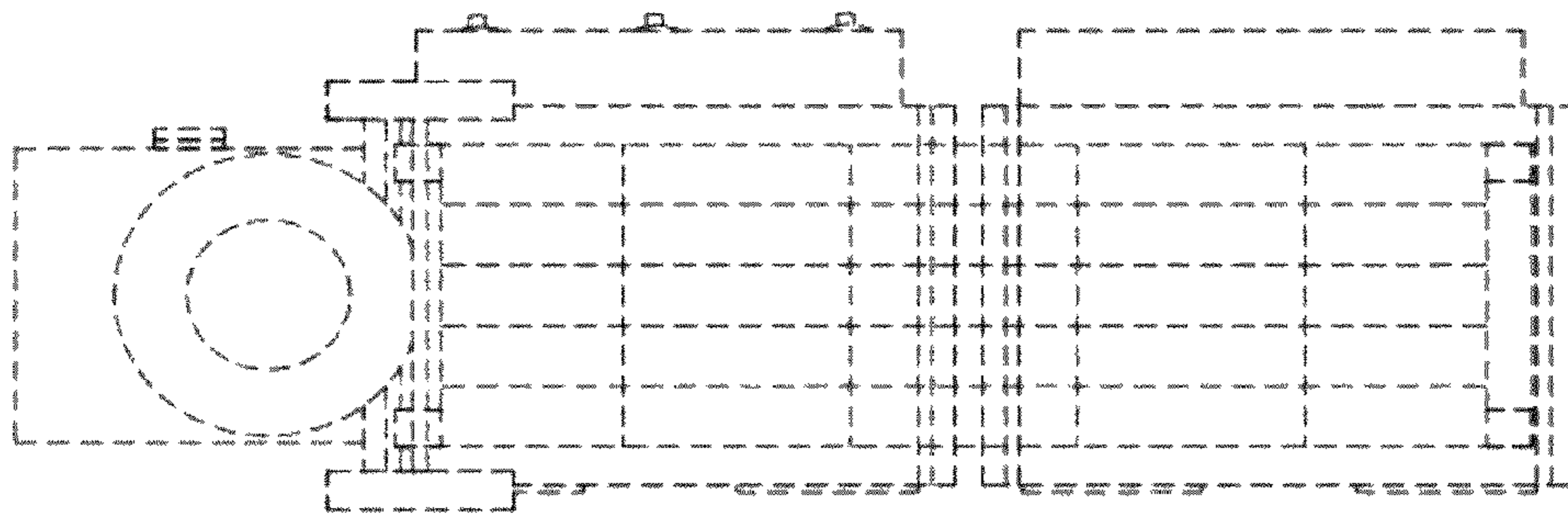


FIG. 7



US00D660646C1

(12) **EX PARTE REEXAMINATION CERTIFICATE** (10924th)
United States Patent
Simms, II

(10) **Number:** **US D660,646 C1**
(45) **Certificate Issued:** **Aug. 19, 2016**

(54) **PAIR OF LIDS FOR A DUAL GRILL**

(75) Inventor: **John Lee Simms, II**, Atlanta, GA (US)

(73) Assignee: **A&J Manufacturing, LLC**

Reexamination Request:

No. 90/013,287, Jul. 7, 2014

Reexamination Certificate for:

Patent No.: **Des. 660,646**
Issued: **May 29, 2012**
Appl. No.: **29/392,019**
Filed: **May 16, 2011**

Related U.S. Application Data

(63) Continuation of application No. 11/193,320, filed on Jul. 30, 2005, now Pat. No. 8,381,712.

(51) **LOC (10) Cl.** 07-02

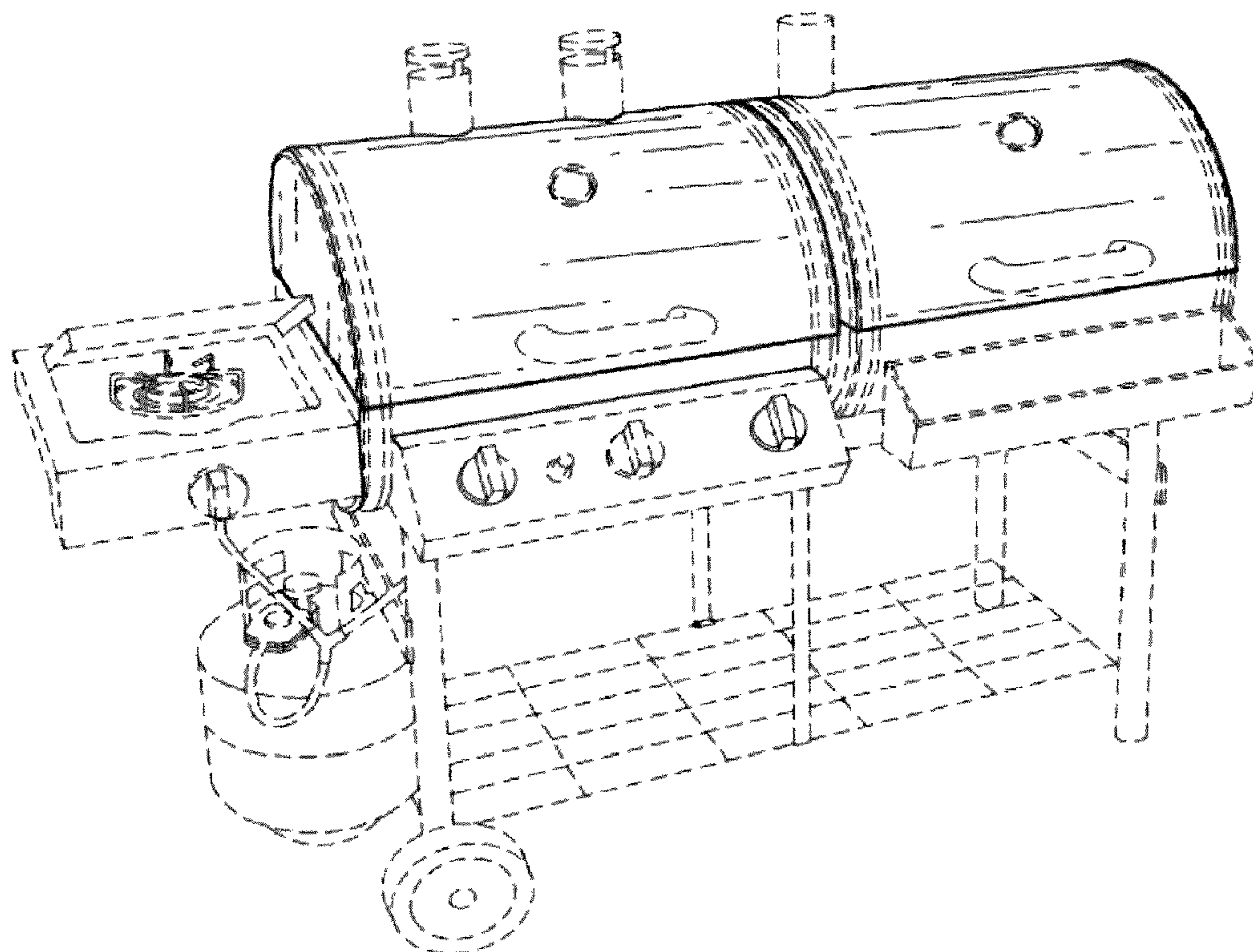
(52) **U.S. Cl.**
USPC **D7/402**

(58) **Field of Classification Search**
USPC D7/332, 334, 402
CPC A47J 27/04; A47J 27/14; A47J 37/00;
A47J 37/042; A47J 37/0704; A47J 37/0713
See application file for complete search history.

(56) **References Cited**

To view the complete listing of prior art documents cited during the proceeding for Reexamination Control Number 90/013,287, please refer to the USPTO's public Patent Application Information Retrieval (PAIR) system under the Display References tab.

Primary Examiner — Kevin Rudzinski



1
EX PARTE
REEXAMINATION CERTIFICATE

NO AMENDMENTS HAVE BEEN MADE TO
THE PATENT

5

AS A RESULT OF REEXAMINATION, IT HAS BEEN
DETERMINED THAT:

The patentability of the single claim is confirmed.

10

* * * * *