

US00D660644S

(12) **United States Design Patent**  
**Beijl et al.**

(10) **Patent No.:** **US D660,644 S**

(45) **Date of Patent:** **\*\* \*May 29, 2012**

(54) **TRIVET**

(75) Inventors: **Vanessa Beijl**, Rotterdam (NL); **Rui Medeiros Santos**, Rotterdam (NL)

(73) Assignee: **International Innovation Company B.V.** (NL)

(\*) Notice: This patent is subject to a terminal disclaimer.

(\*\*) Term: **14 Years**

(21) Appl. No.: **29/361,181**

(22) Filed: **May 6, 2010**

(30) **Foreign Application Priority Data**

Nov. 20, 2009 (EM) ..... 001638289

(51) **LOC (9) Cl.** ..... **07-01**

(52) **U.S. Cl.** ..... **D7/388; D7/213**

(58) **Field of Classification Search** ..... D7/387,  
D7/388, 408, 213; 248/528, 188.6, 127;  
D11/130.1

See application file for complete search history.

(56) **References Cited**

**U.S. PATENT DOCUMENTS**

2,049,407 A \* 7/1936 Clark ..... 248/520  
3,279,730 A \* 10/1966 Holmes ..... 248/346.03

3,492,739 A \* 2/1970 Boyle, Jr. .... 33/365  
3,526,380 A \* 9/1970 Tong ..... 248/528  
3,967,803 A \* 7/1976 Kienlen et al. .... 248/152  
4,966,295 A \* 10/1990 Parrish ..... 220/576  
5,181,686 A \* 1/1993 Barthel ..... 248/346.07  
D395,377 S \* 6/1998 Wallays et al. .... D7/396.1  
D544,748 S \* 6/2007 Johansson ..... D7/388  
D582,913 S \* 12/2008 Warme ..... D14/299  
D594,272 S \* 6/2009 Heroux ..... D7/388  
D604,559 S \* 11/2009 Woodruff ..... D7/408  
D625,145 S \* 10/2010 King et al. .... D7/388  
2007/0034755 A1 \* 2/2007 Duke ..... 248/127

\* cited by examiner

*Primary Examiner* — Marianne Pandozzi

(74) *Attorney, Agent, or Firm* — Altera Law Group, LLC

(57) **CLAIM**

The ornamental design for trivet, as shown and described.

**DESCRIPTION**

FIG. 1 is a perspective view of a trivet in a folded position.

FIG. 2 is a perspective view in the unfolded position.

FIG. 3 is an end view thereof.

FIG. 4 is a top view thereof.

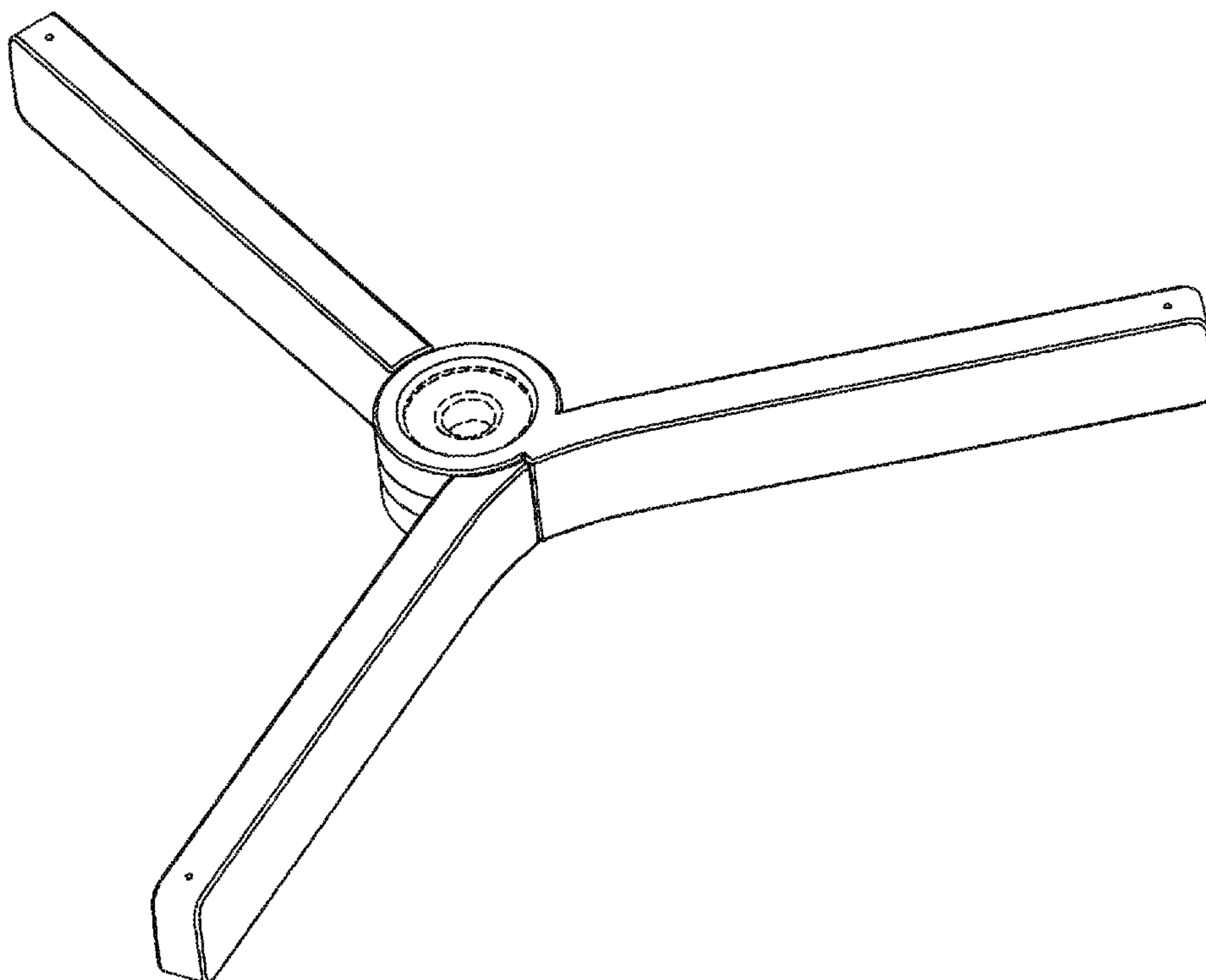
FIG. 5 is a side view thereof.

FIG. 6 is the other end view thereof; and,

FIG. 7 is an in use perspective view thereof.

The broken lines in the drawings are included for the purpose of illustration and form no part of the claimed design.

**1 Claim, 3 Drawing Sheets**



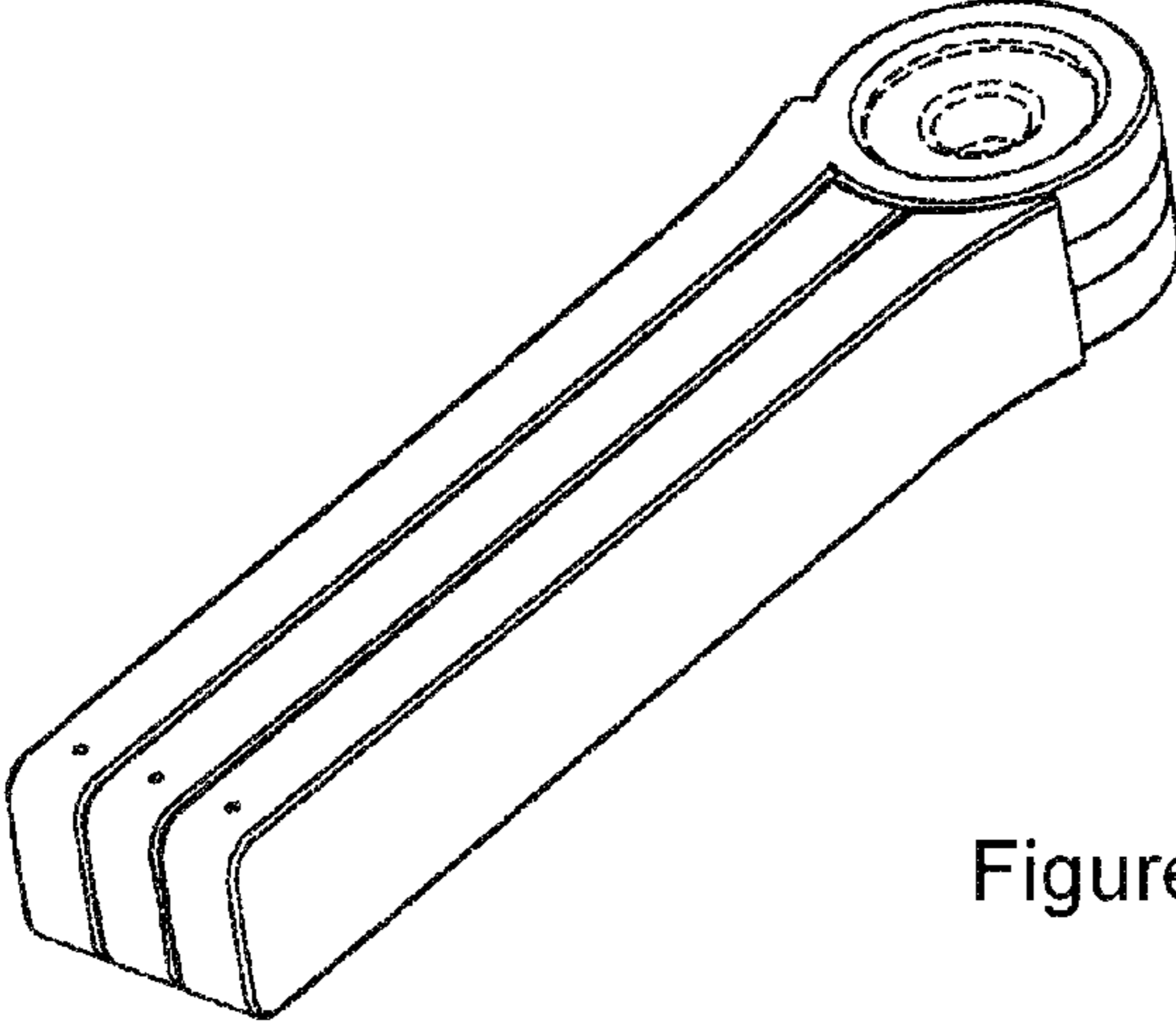


Figure 1

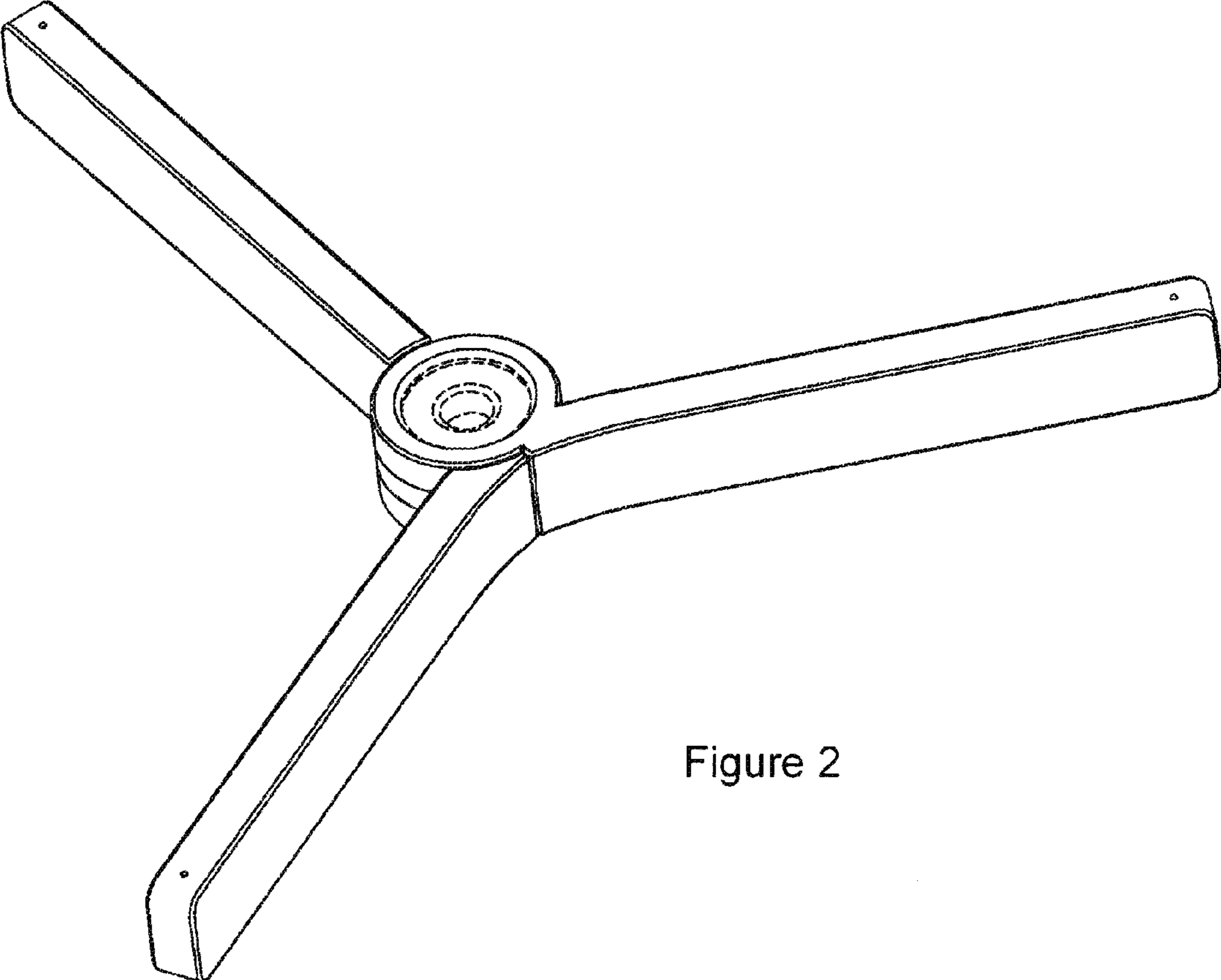


Figure 2

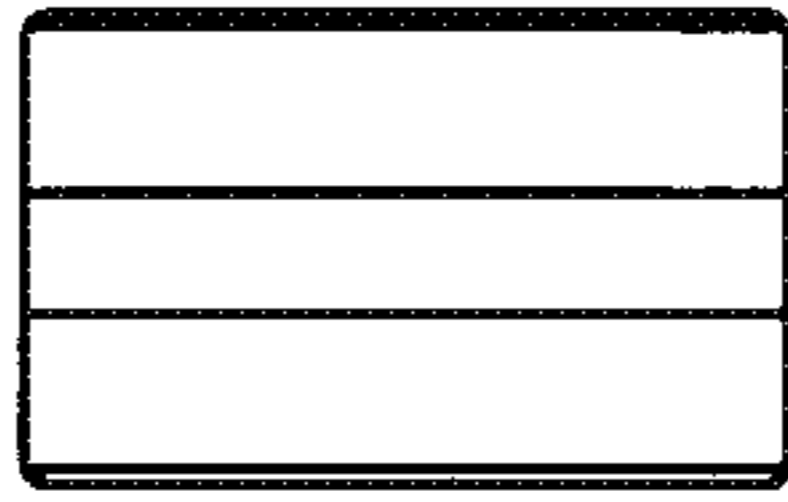


Figure 3

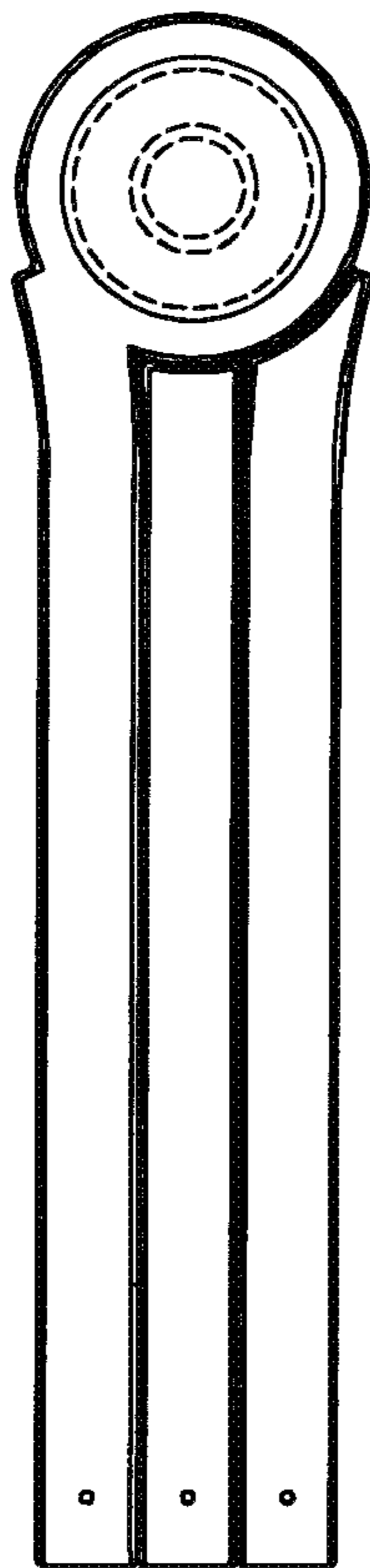


Figure 4



Figure 5



Figure 6

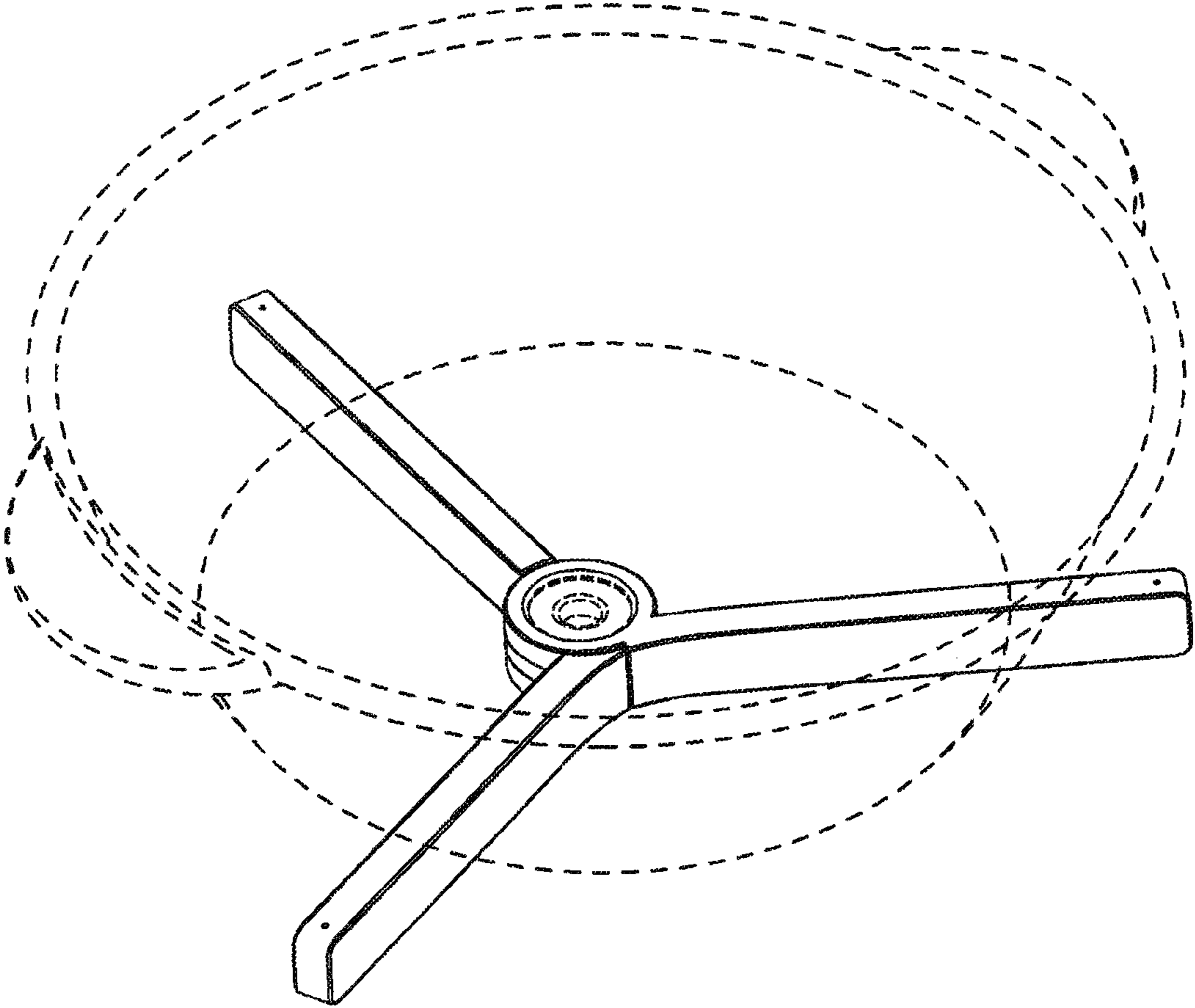


Figure 7

UNITED STATES PATENT AND TRADEMARK OFFICE  
**CERTIFICATE OF CORRECTION**

PATENT NO. : D660,644 S  
APPLICATION NO. : 29/361181  
DATED : May 29, 2012  
INVENTOR(S) : Vanessa Beijl et al.

Page 1 of 1

It is certified that error appears in the above-identified patent and that said Letters Patent is hereby corrected as shown below:

On the title page under Item (73) Assignee: please replace "International Innovation Company B.V." with -- Vacu Vin Innovations Limited --.

Signed and Sealed this  
Twenty-eighth Day of May, 2013



Teresa Stanek Rea  
*Acting Director of the United States Patent and Trademark Office*