



US00D660643S

(12) **United States Design Patent**
Boozer et al.

(10) **Patent No.:** **US D660,643 S**

(45) **Date of Patent:** **** May 29, 2012**

(54) **BLENDER BASE**

(75) Inventors: **Richard D. Boozer**, Wakeman, OH (US); **Tyrone Manhoff**, North Olmsted, OH (US); **Fred H. Mehlman**, Brunswick, OH (US); **Steffen F. Koury**, Everett, MA (US); **Paul K. Metaxatos**, Swampscott, MA (US)

(73) Assignee: **Vita-Mix Corporation**, Olmstead Falls, OH (US)

(**) Term: **14 Years**

(21) Appl. No.: **29/409,219**

(22) Filed: **Dec. 21, 2011**

(51) **LOC (9) Cl.** **31-00**

(52) **U.S. Cl.** **D7/386; D7/376; D7/378; D7/412**

(58) **Field of Classification Search** D7/301-313, D7/316-319, 368, 372-386, 391, 412-415, D7/515, 665, 679; 99/326, 348, 508-511; 241/30-37.5, 101.01-101.2, 166-169.1, 241/172, 282.2, 285.1-285.3, 291, 292.1; 366/64-67, 98, 129, 142, 197-211, 241-254, 366/262, 279-292, 325.8, 325.92, 341-347; 416/75-77, 70 R, 163

See application file for complete search history.

(56) **References Cited**

U.S. PATENT DOCUMENTS

| | | | | | | |
|-----------|---|---|---------|----------------|-------|-----------|
| D204,117 | S | * | 3/1966 | Di Seta | | D7/378 |
| D235,608 | S | * | 7/1975 | Yoshida | | D7/378 |
| 3,901,484 | A | * | 8/1975 | Ernster | | 241/282.2 |
| D242,208 | S | * | 11/1976 | Madl | | D7/386 |
| D336,590 | S | * | 6/1993 | Barnard | | D7/378 |
| D339,715 | S | * | 9/1993 | Barrault | | D7/378 |
| D343,547 | S | * | 1/1994 | Levin | | D7/386 |
| D450,978 | S | * | 11/2001 | Smith | | D7/378 |
| D451,756 | S | * | 12/2001 | Deros et al. | | D7/378 |
| D552,419 | S | * | 10/2007 | Picozza et al. | | D7/412 |
| D605,462 | S | * | 12/2009 | Picozza et al. | | D7/386 |
| D642,857 | S | * | 8/2011 | Bodum | | D7/378 |

* cited by examiner

Primary Examiner — Ricky Pham

(74) *Attorney, Agent, or Firm* — McDonald Hopkins LLC

(57) **CLAIM**

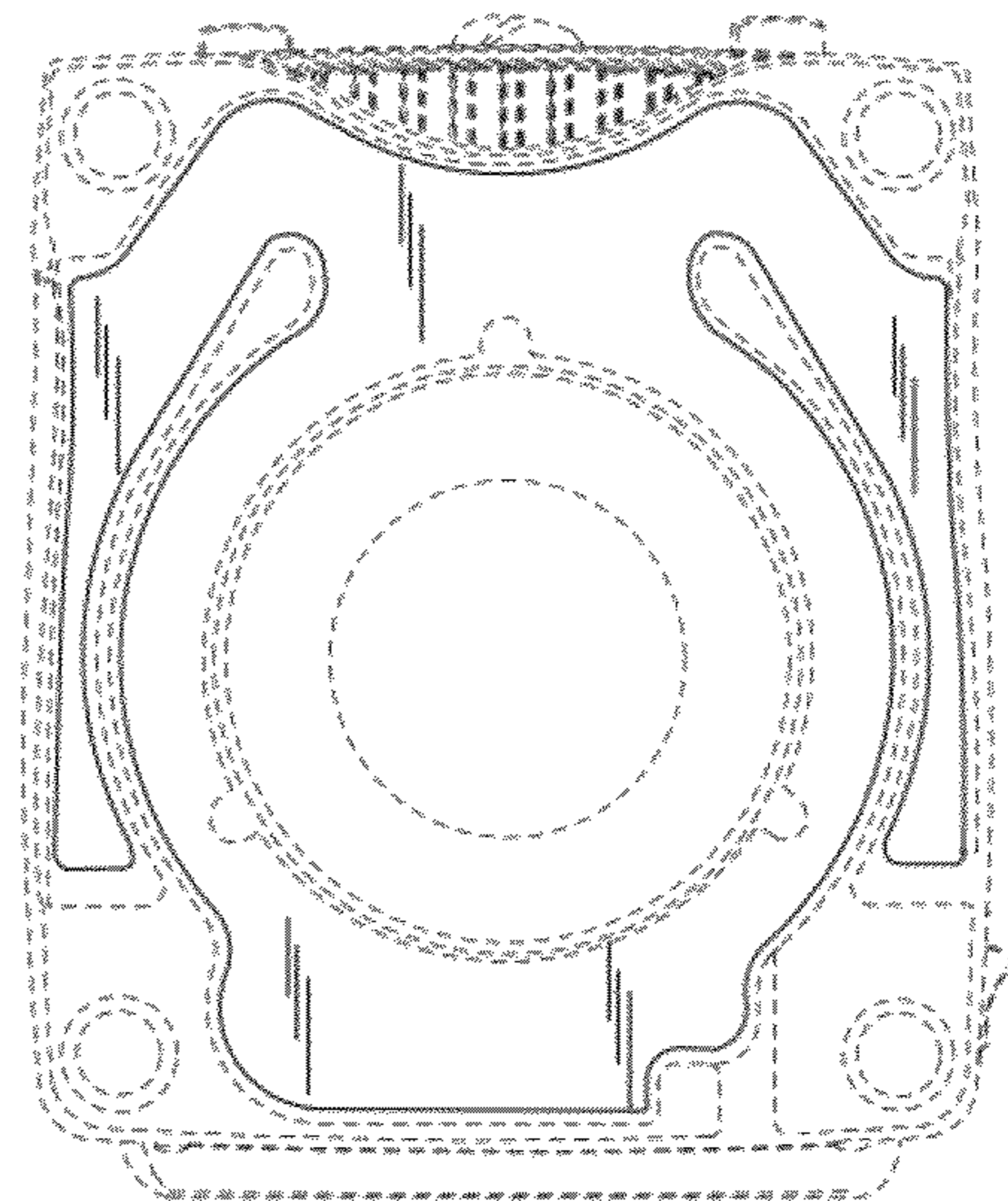
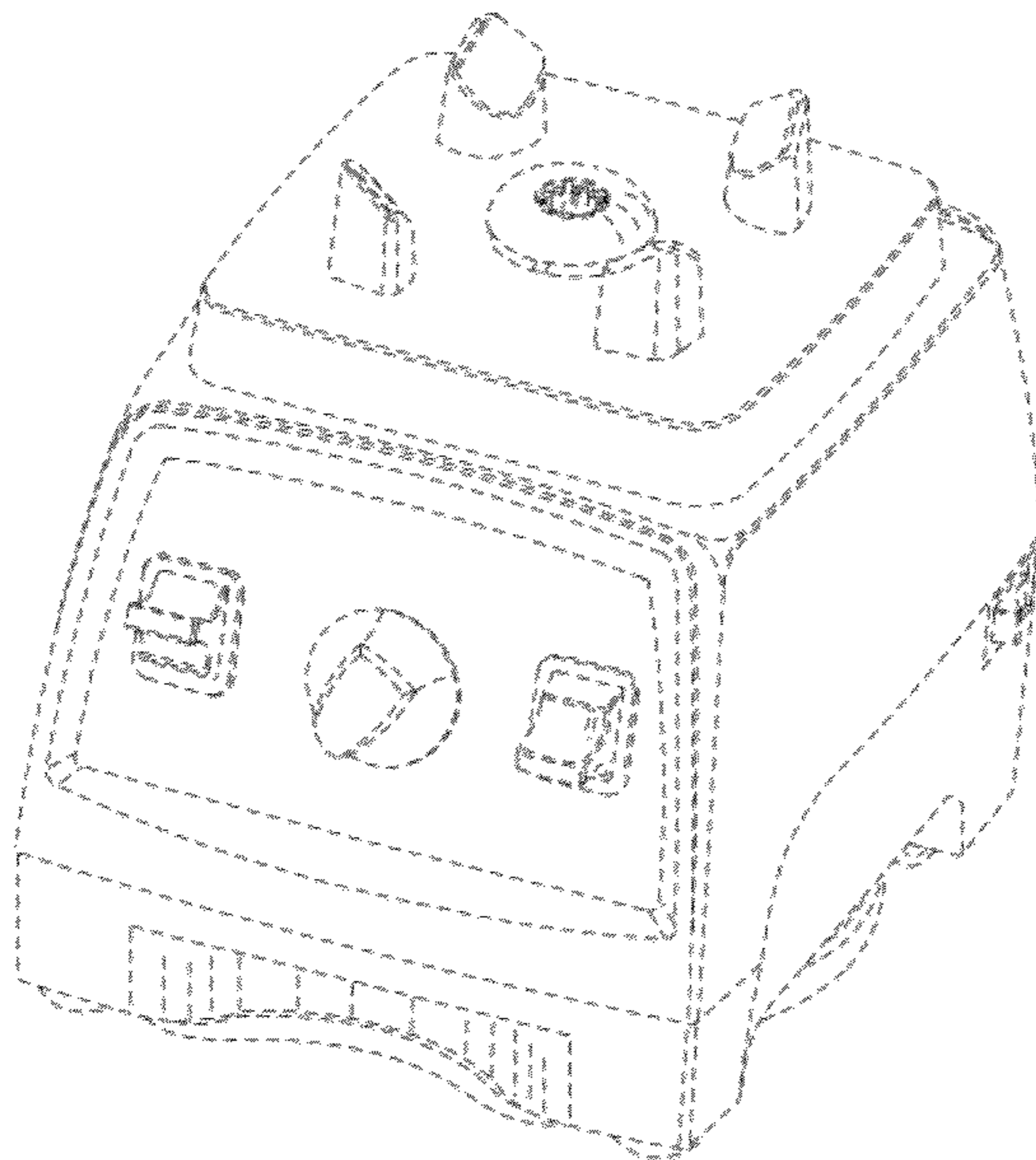
The ornamental design of a blender base, as shown and described.

DESCRIPTION

FIG. 1 is a perspective view showing our new design; FIG. 2 is a front view thereof; FIG. 3 is a rear view thereof; FIG. 4 is a side view thereof; FIG. 5 is a side view thereof; FIG. 6 is a bottom view thereof; and, FIG. 7 is a top view thereof.

The broken lines shown in the drawings are for illustrative purposes only and form no part of the claimed design.

1 Claim, 4 Drawing Sheets



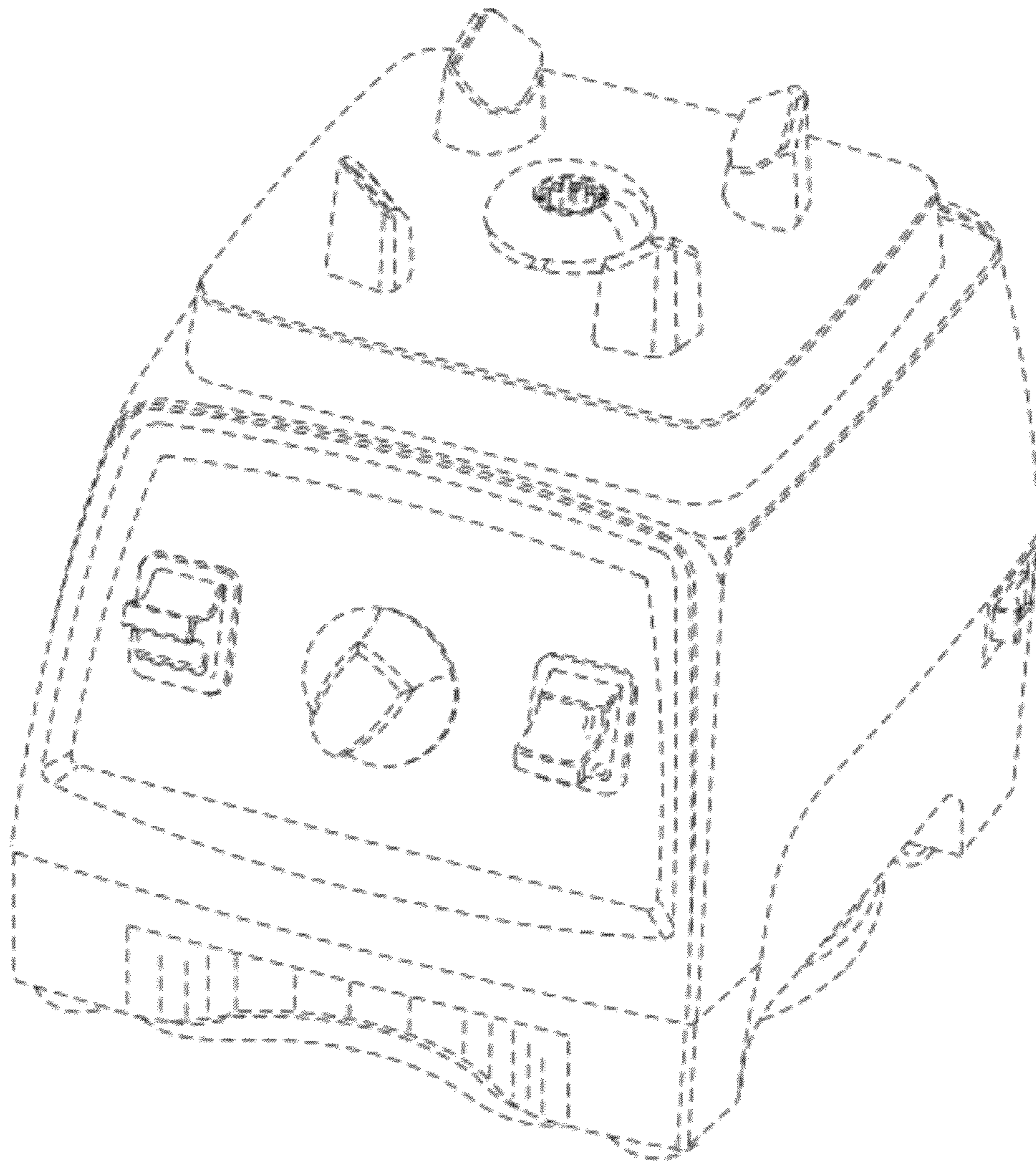


FIG. 1

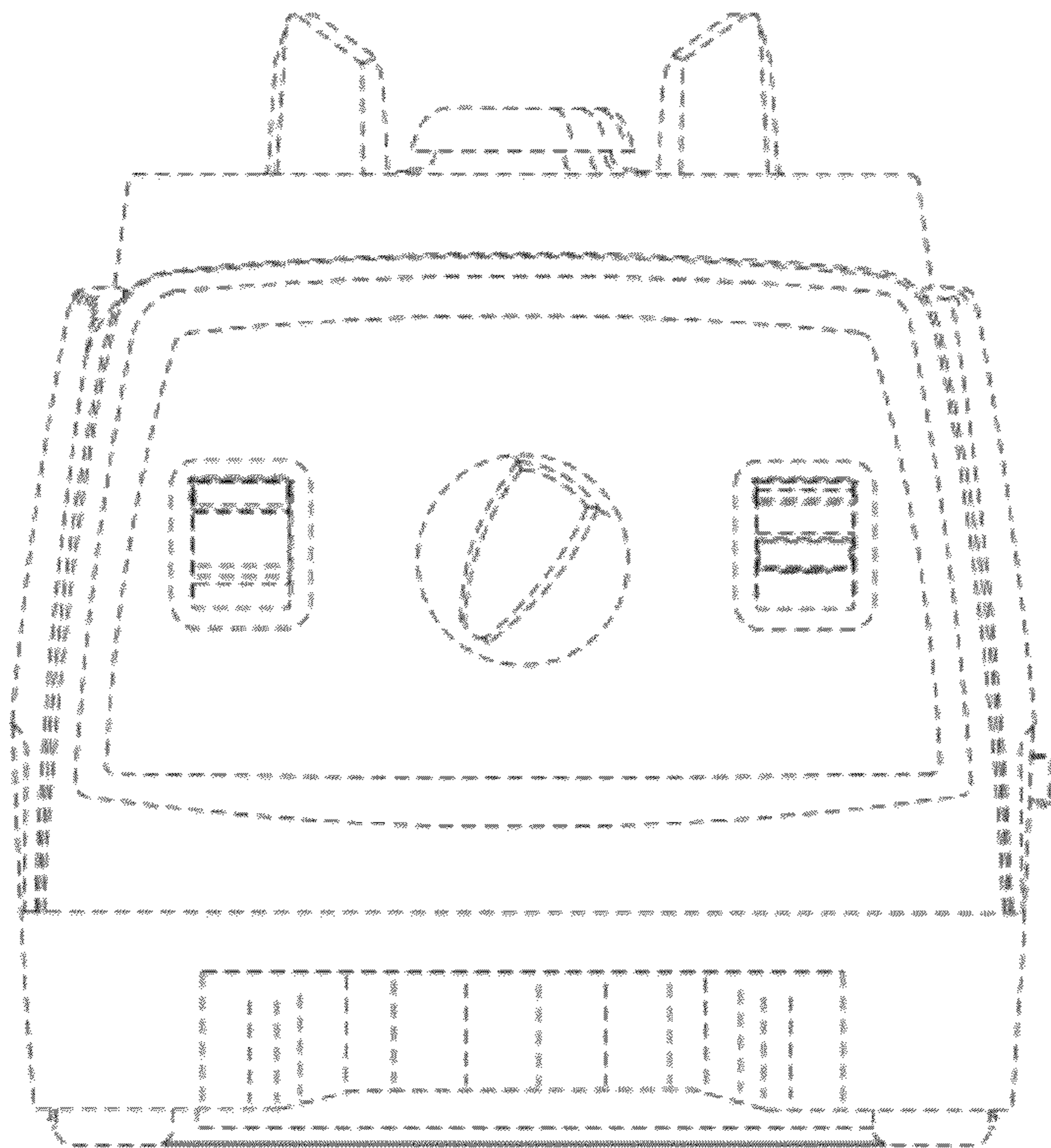


FIG. 2

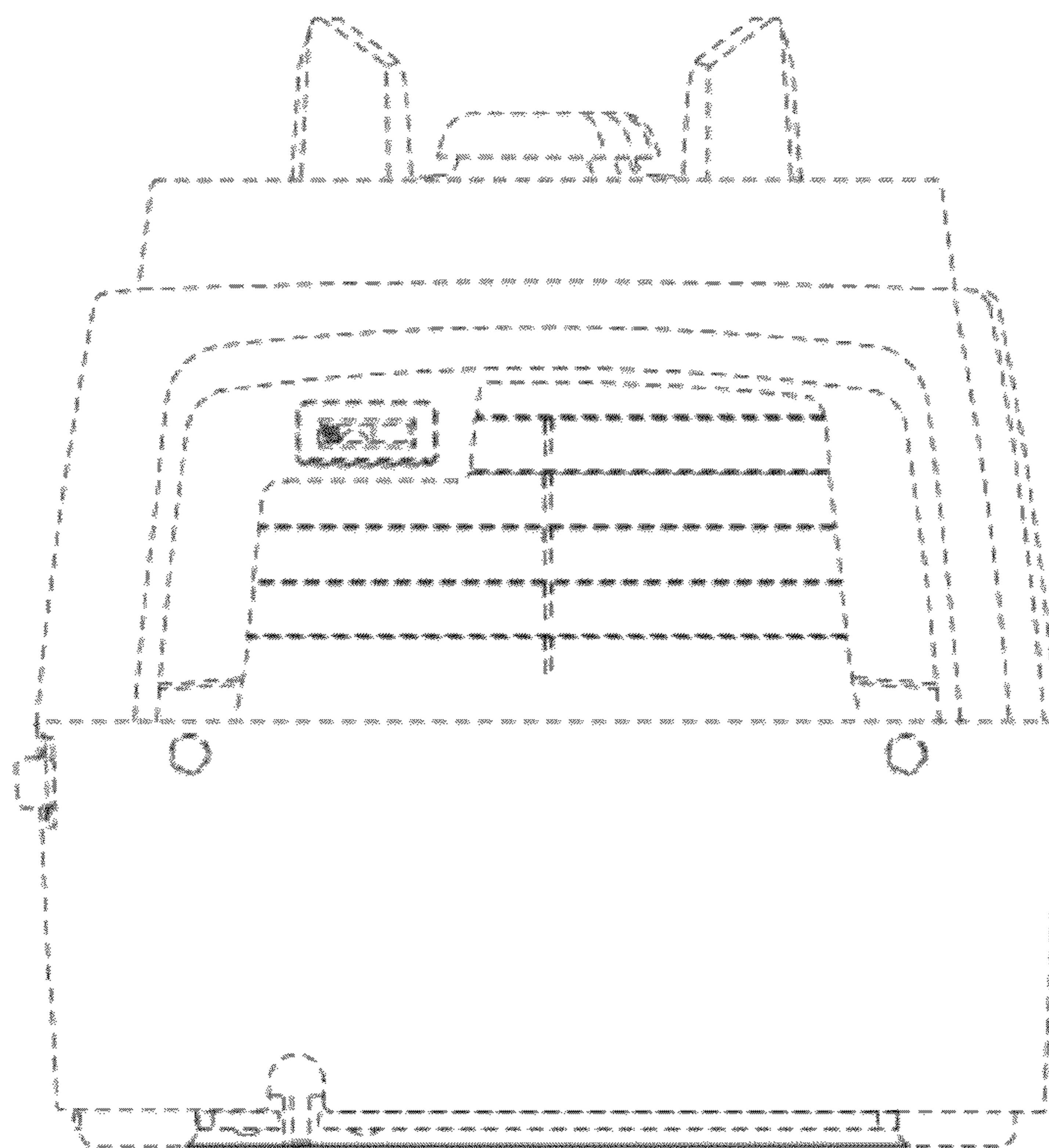


FIG. 3

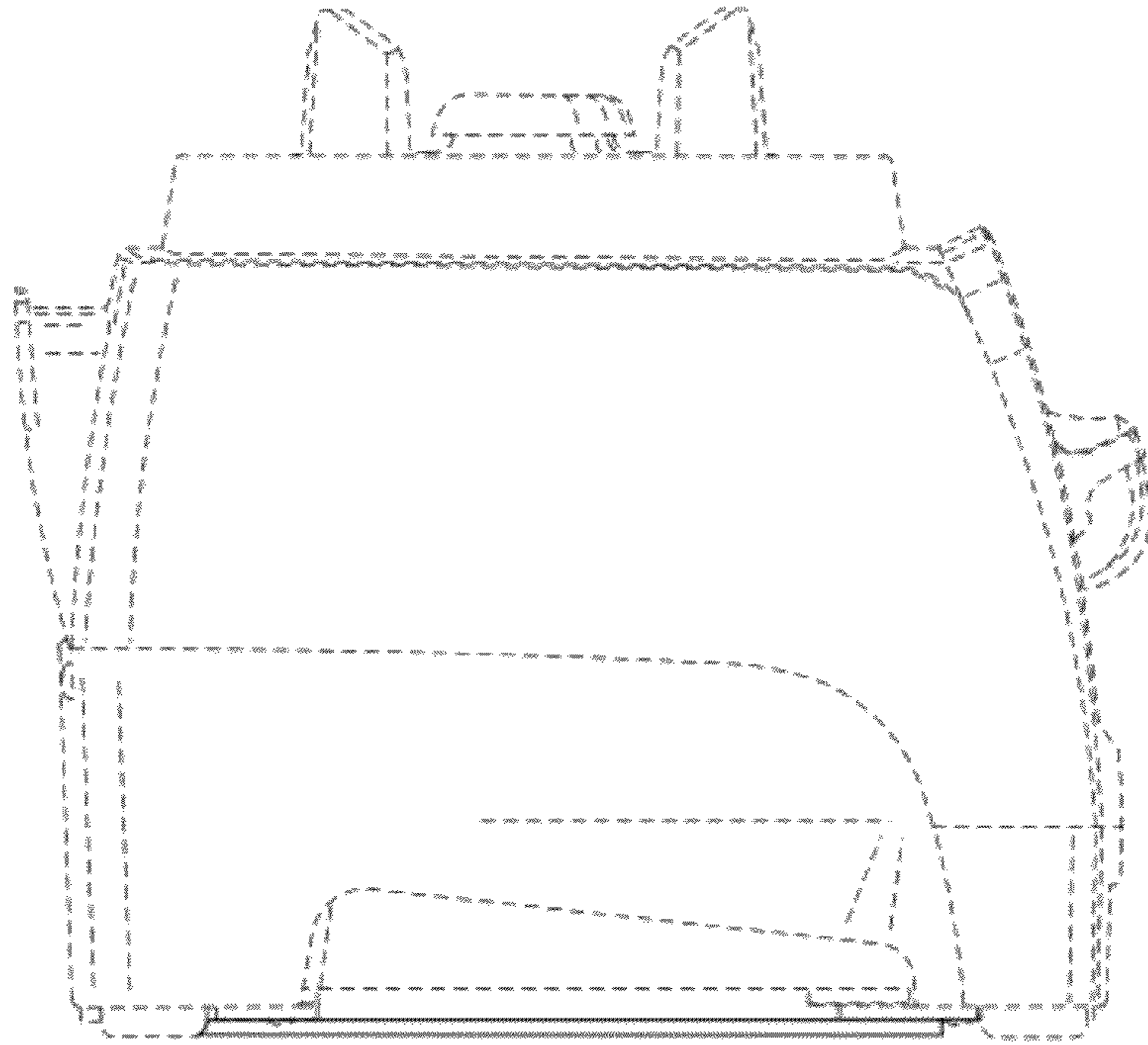


FIG. 4

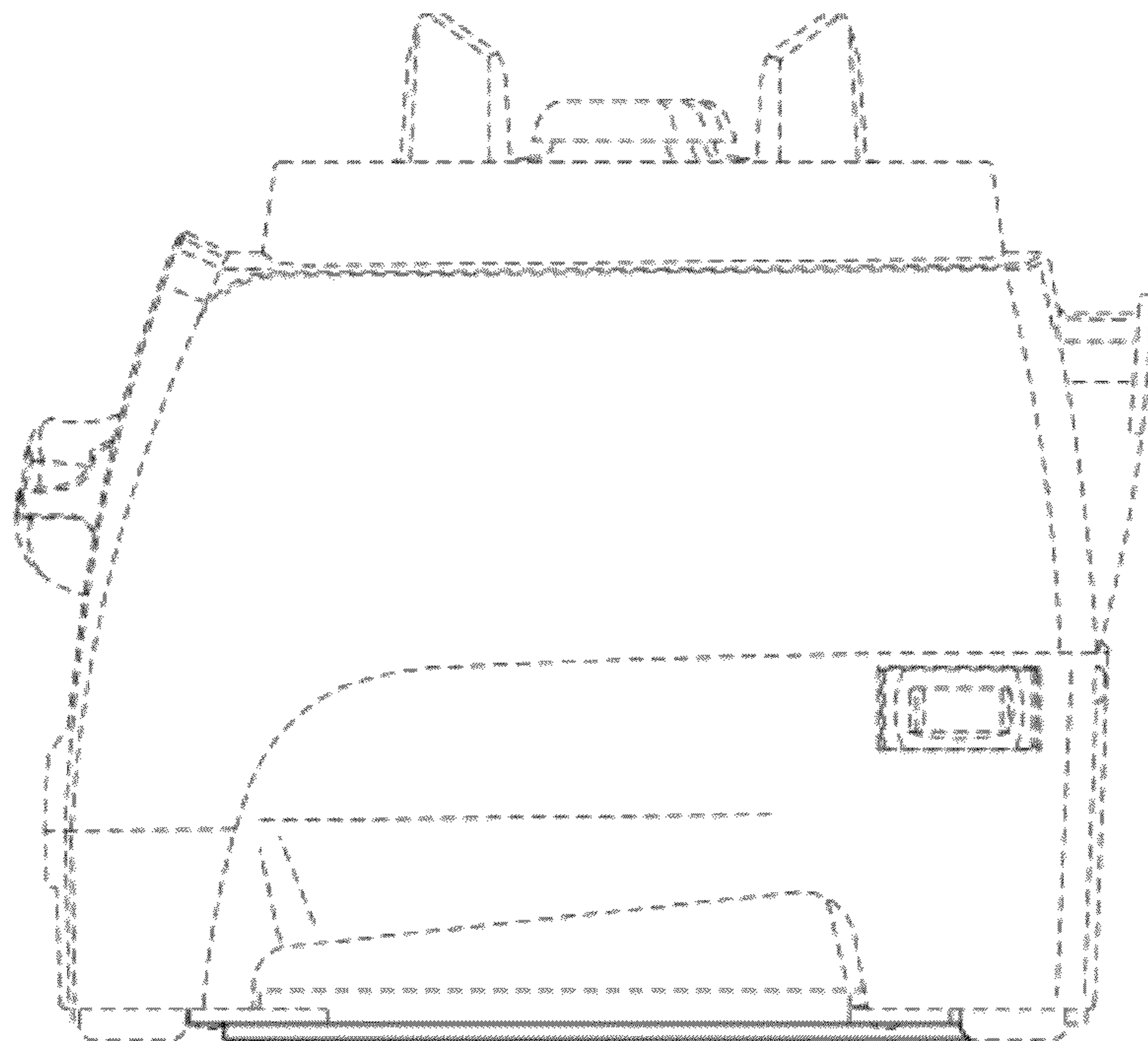


FIG. 5

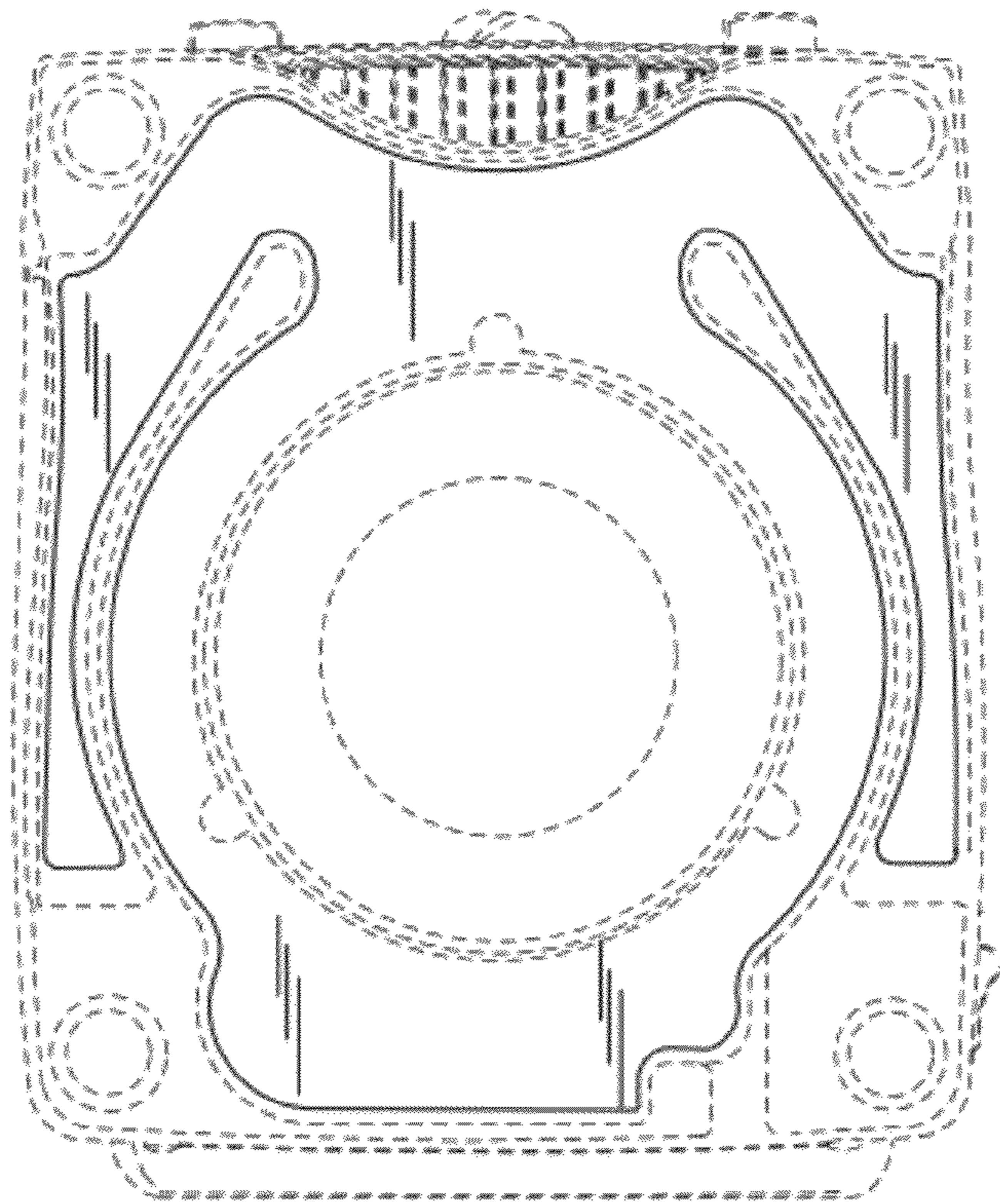


FIG. 6

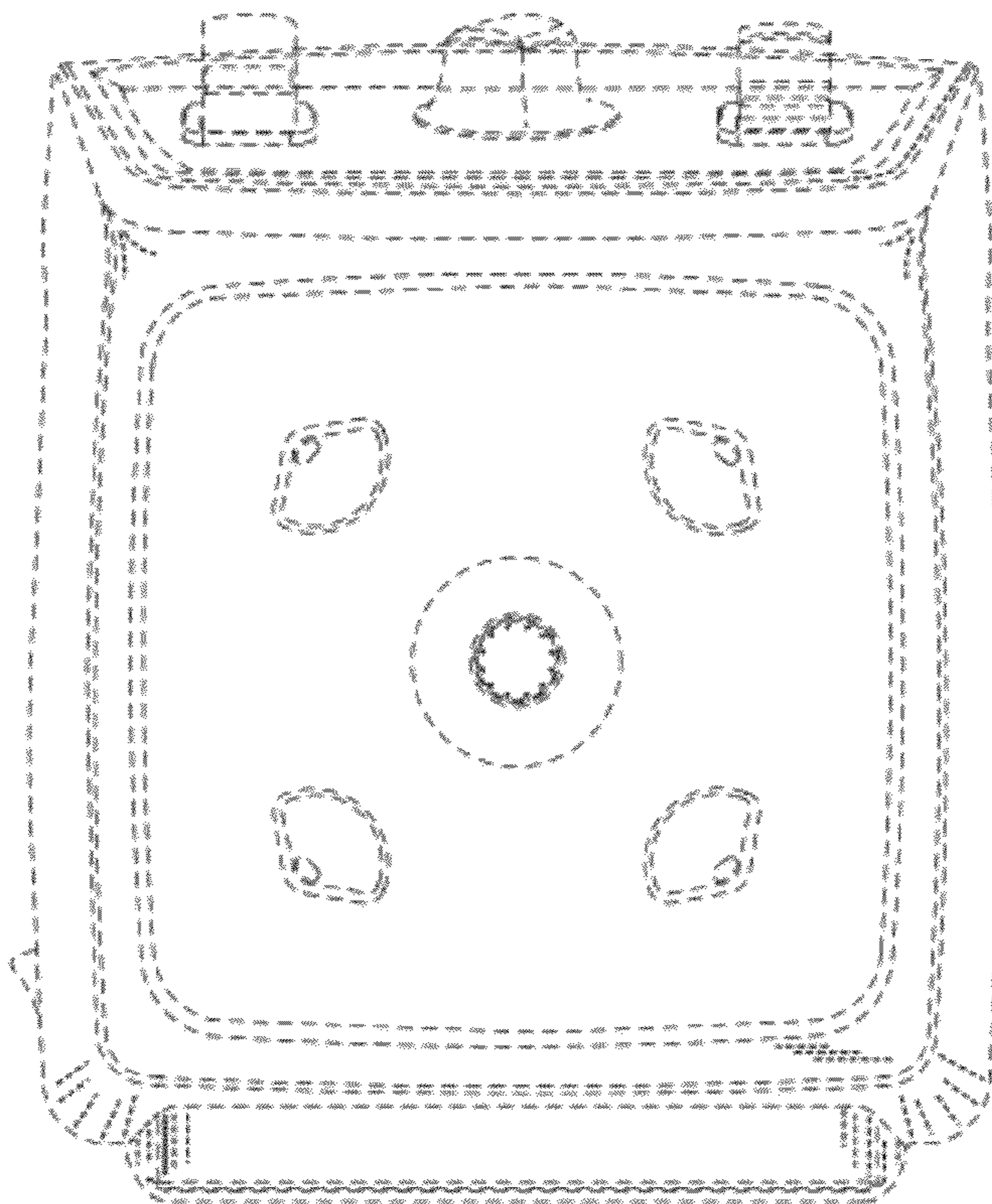


FIG. 7