



US00D660642S

(12) **United States Design Patent**  
**Boozer et al.**

(10) **Patent No.:** **US D660,642 S**  
(45) **Date of Patent:** **\*\* May 29, 2012**

(54) **BLENDER BASE**

(56) **References Cited**

(75) Inventors: **Richard D. Boozer**, Wakeman, OH (US); **Tyrone Manhoff**, North Olmsted, OH (US); **Fred H. Mehlman**, Brunswick, OH (US); **Steffen F. Koury**, Everett, MA (US); **Paul K. Metaxatos**, Swampscott, MA (US)

U.S. PATENT DOCUMENTS

D204,117 S *	3/1966	Di Sesa .....	D7/378
D235,608 S *	7/1975	Yoshida .....	D7/378
D242,208 S *	11/1976	Madl et al. ....	D7/386
D339,715 S *	9/1993	Barrault .....	D7/378
D343,547 S *	1/1994	Levin .....	D7/386
D450,978 S *	11/2001	Smith .....	D7/378
D552,419 S *	10/2007	Picozza et al. ....	D7/412
D605,462 S *	12/2009	Picozza et al. ....	D7/386
2003/0214875 A1 *	11/2003	Dickson, Jr. ....	366/206

(73) Assignee: **Vita-Mix Corporation**, Olmstead Falls, OH (US)

\* cited by examiner

(\*\*) Term: **14 Years**

*Primary Examiner* — Ricky Pham

(21) Appl. No.: **29/408,020**

(74) *Attorney, Agent, or Firm* — McDonald Hopkins LLC

(22) Filed: **Dec. 6, 2011**

(57) **CLAIM**

The ornamental design of a blender base, as shown and described.

(51) **LOC (9) Cl.** ..... **31-00**

**DESCRIPTION**

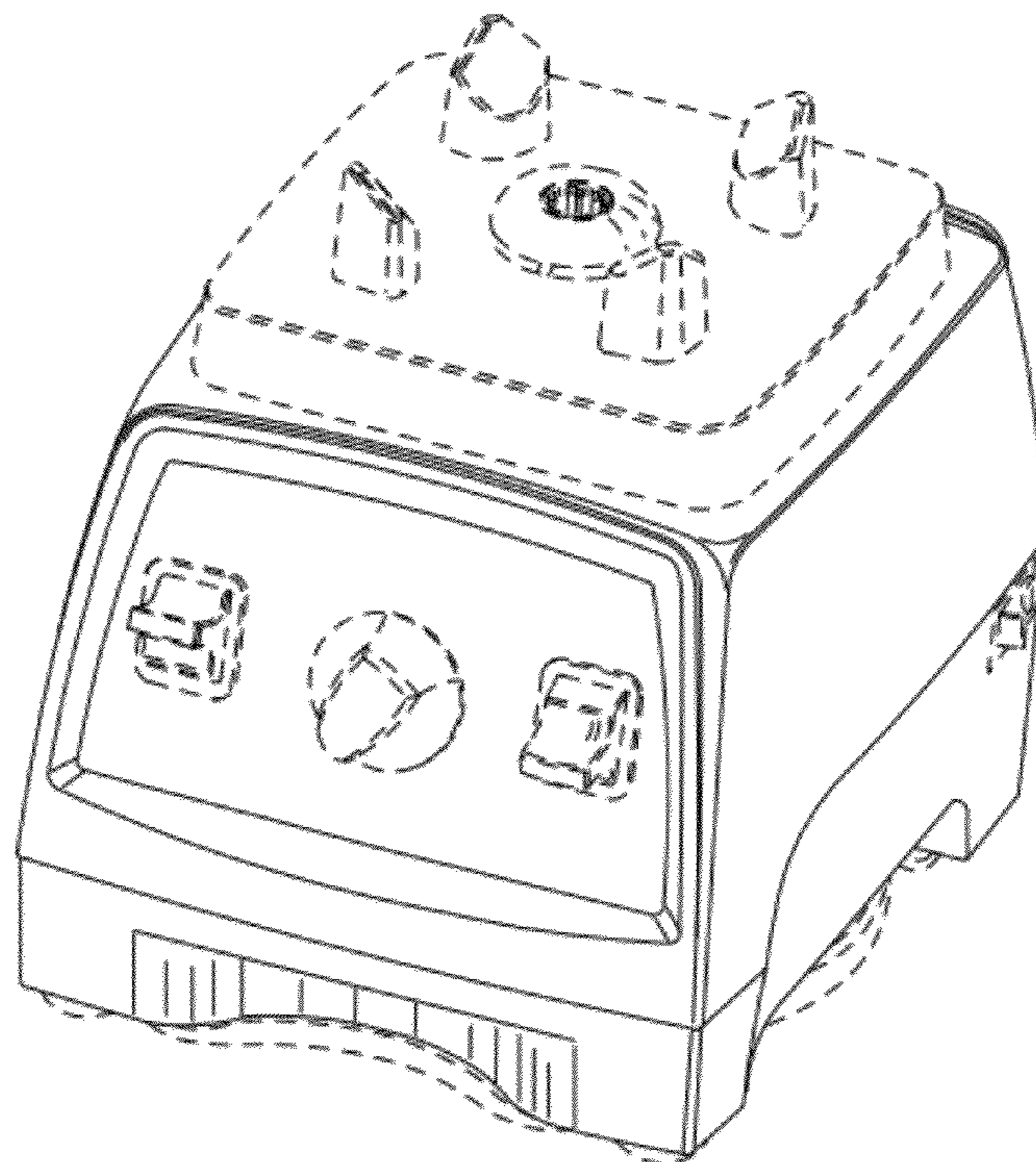
(52) **U.S. Cl.** ..... **D7/386; D7/376; D7/378; D7/412**

(58) **Field of Classification Search** ..... D7/301–313, D7/316–319, 368, 372–386, 391, 412–415, D7/515, 665, 679; 99/326, 348, 508–511; 241/30–37.5, 101.01–101.2, 166–169.1, 241/172, 285.1–285.3, 291, 292.1; 366/64–67, 366/98, 129, 142, 197–211, 241–254, 262, 366/279–292, 325.8, 325.92, 341–347; 416/75–77, 416/70 R, 163

FIG. 1 is a perspective view showing our new design; FIG. 2 is a front view thereof; FIG. 3 is a rear view thereof; FIG. 4 is a side view thereof; FIG. 5 is a side view thereof; FIG. 6 is a bottom view thereof; and, FIG. 7 is a top view thereof. The broken lines shown in the drawings are for illustrative purposes only and form no part of the claimed design.

See application file for complete search history.

**1 Claim, 4 Drawing Sheets**



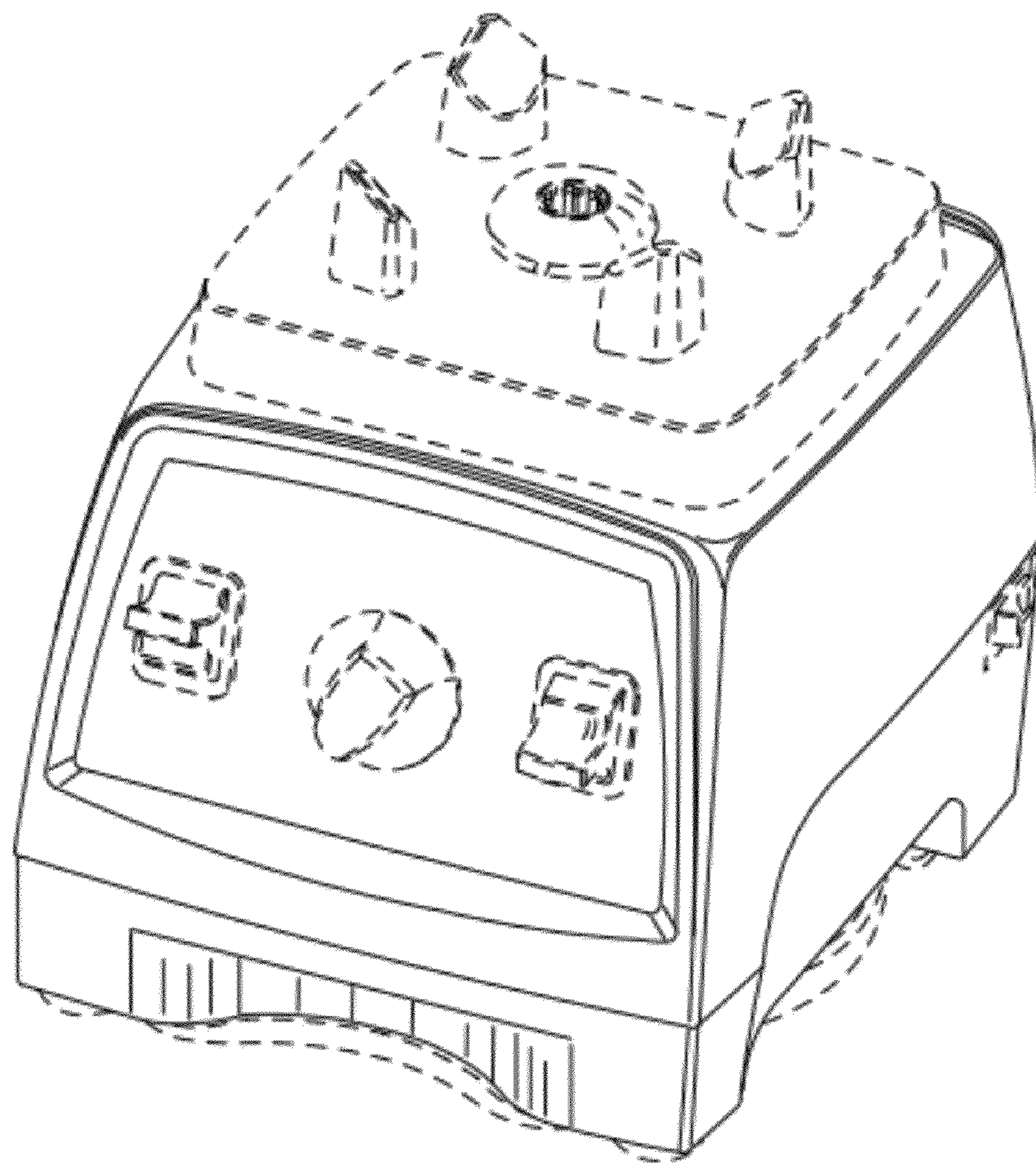


FIG. 1



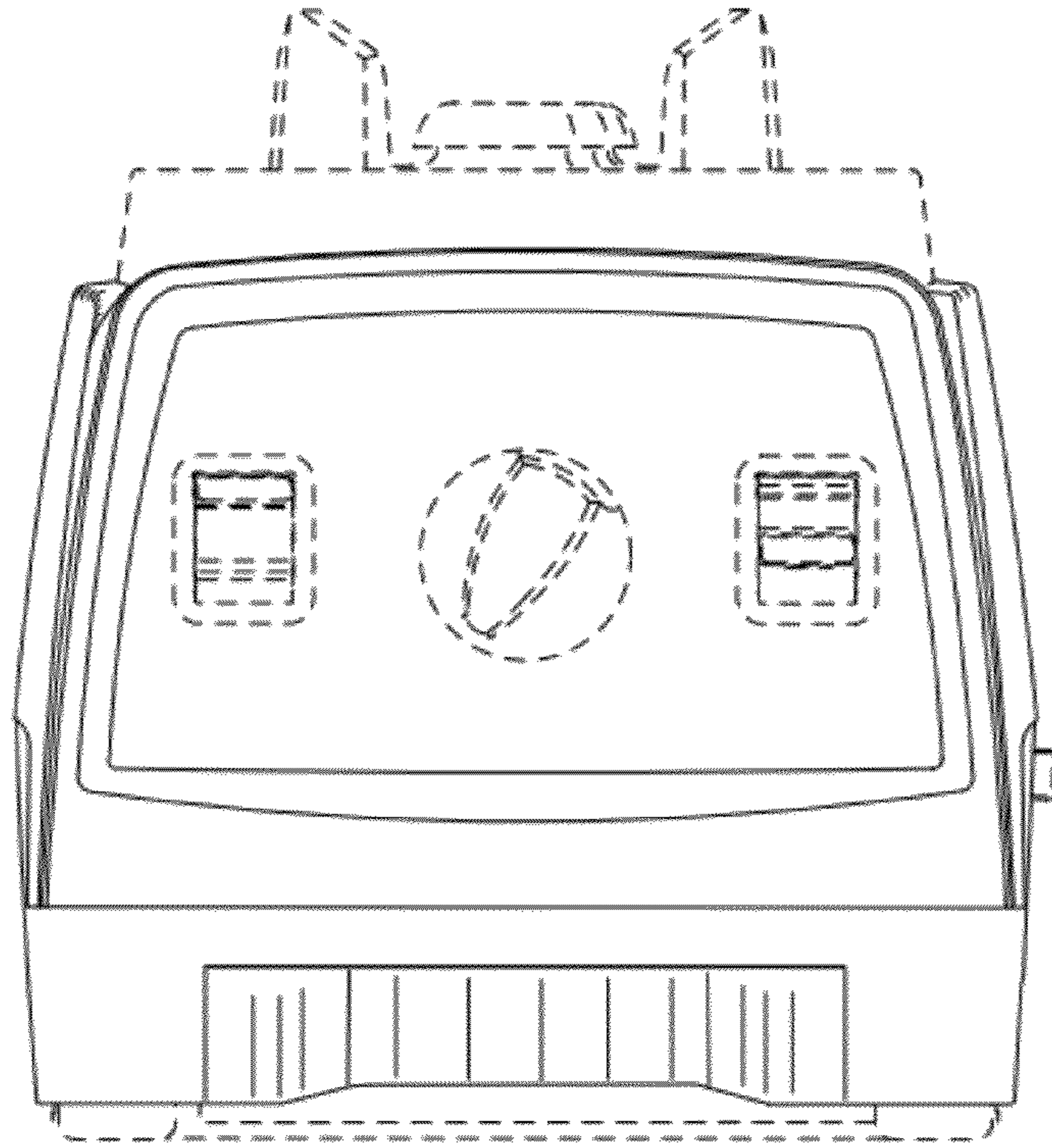


FIG. 2

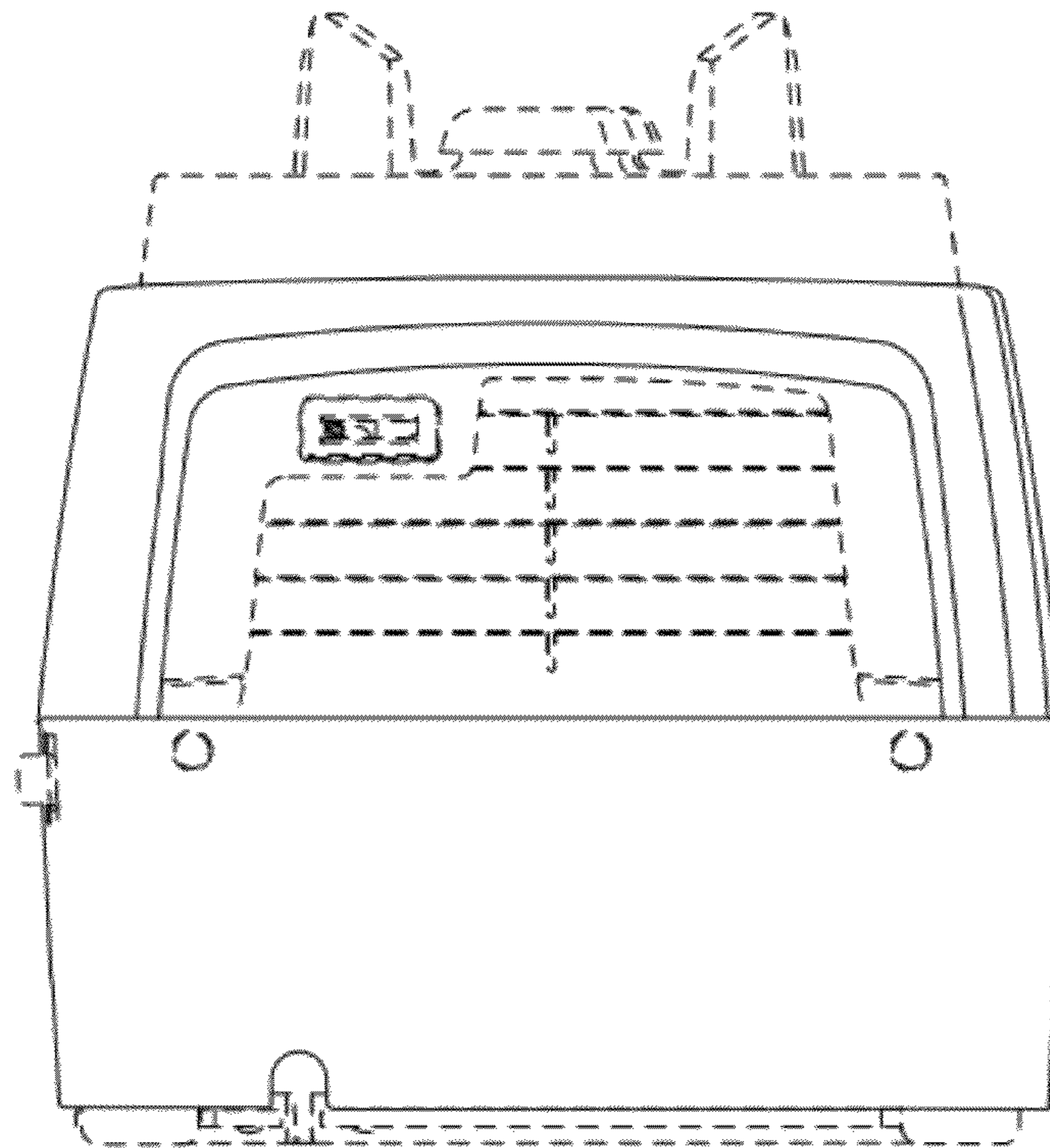


FIG. 3

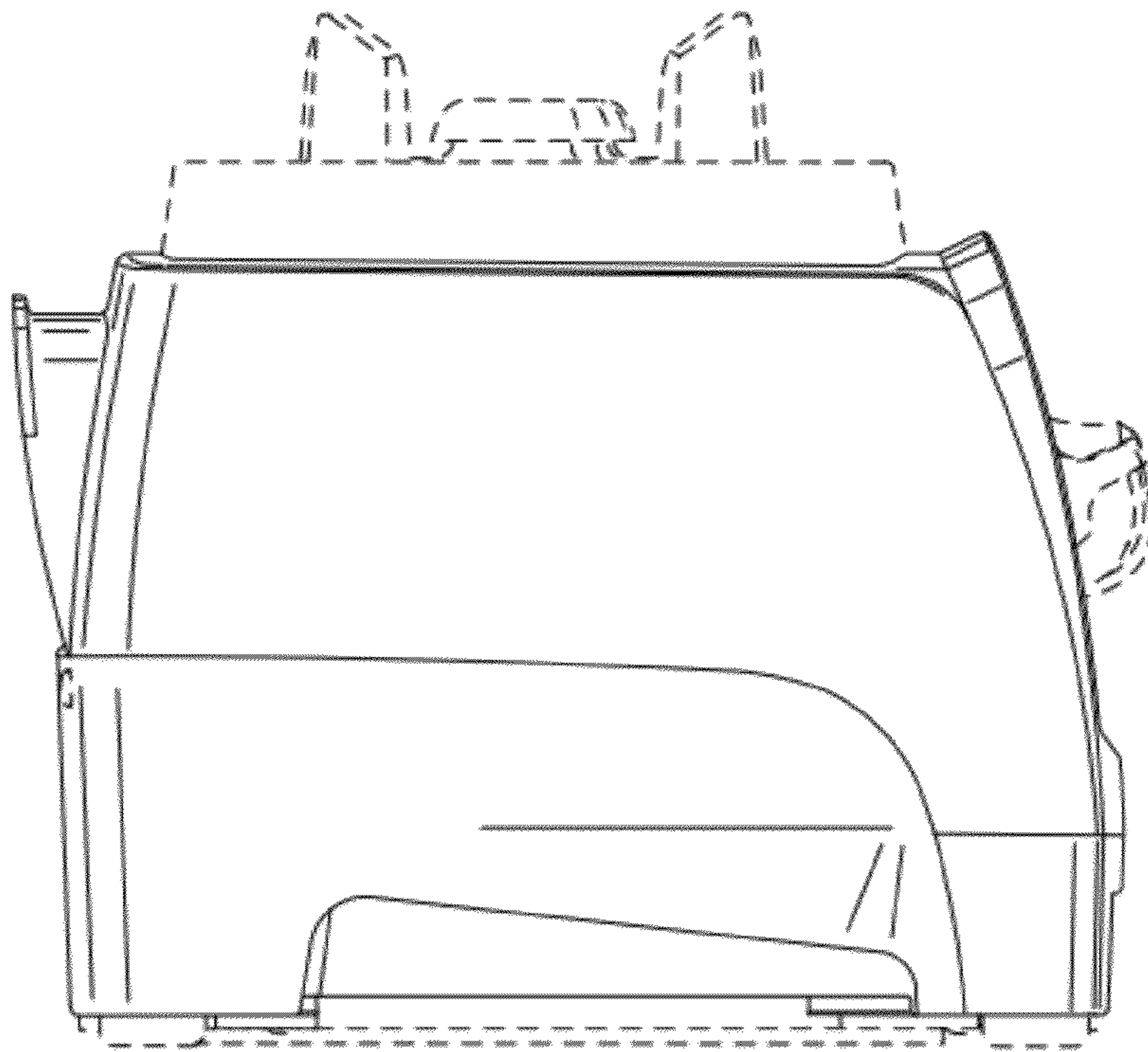


FIG. 4

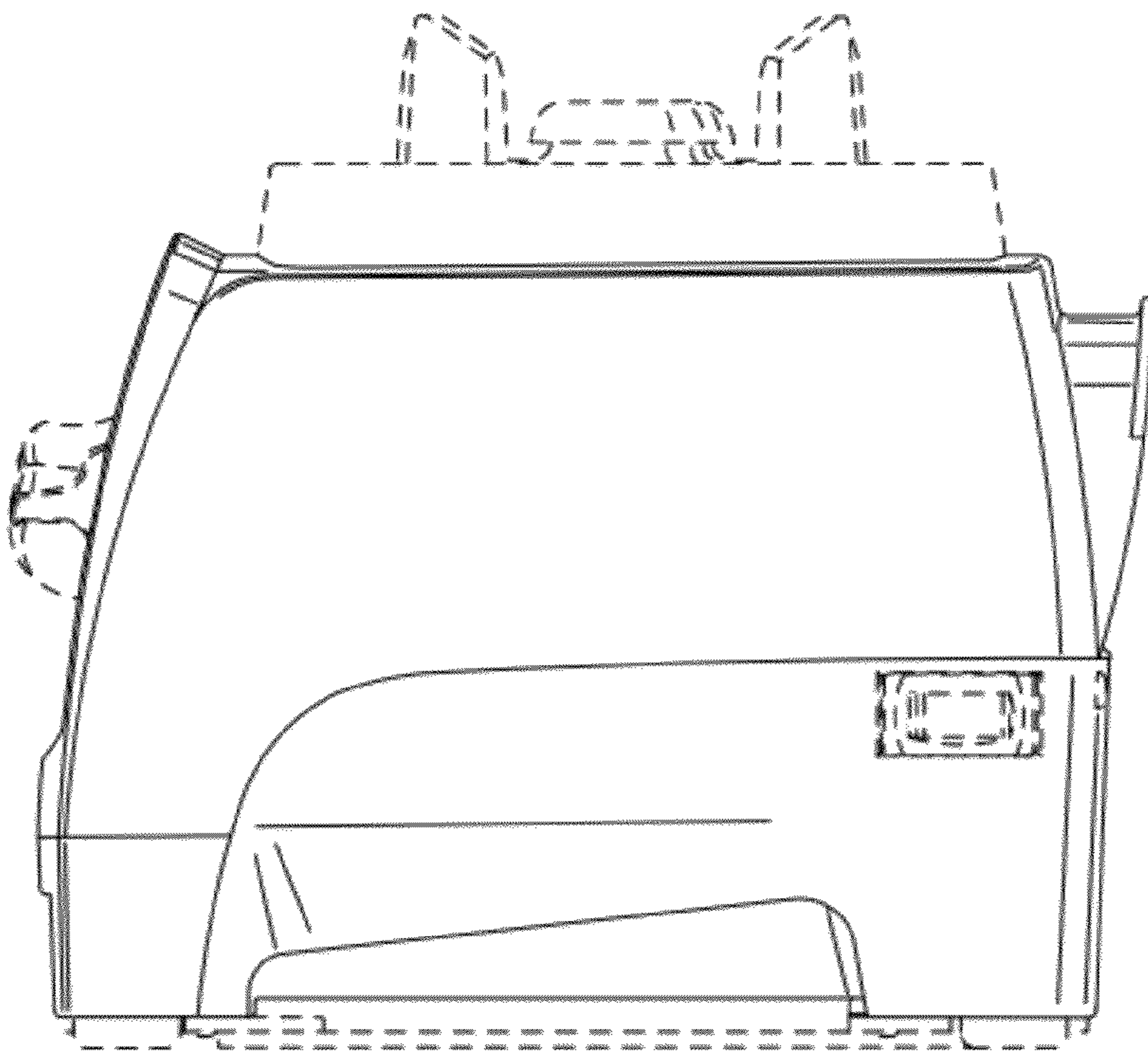


FIG. 5



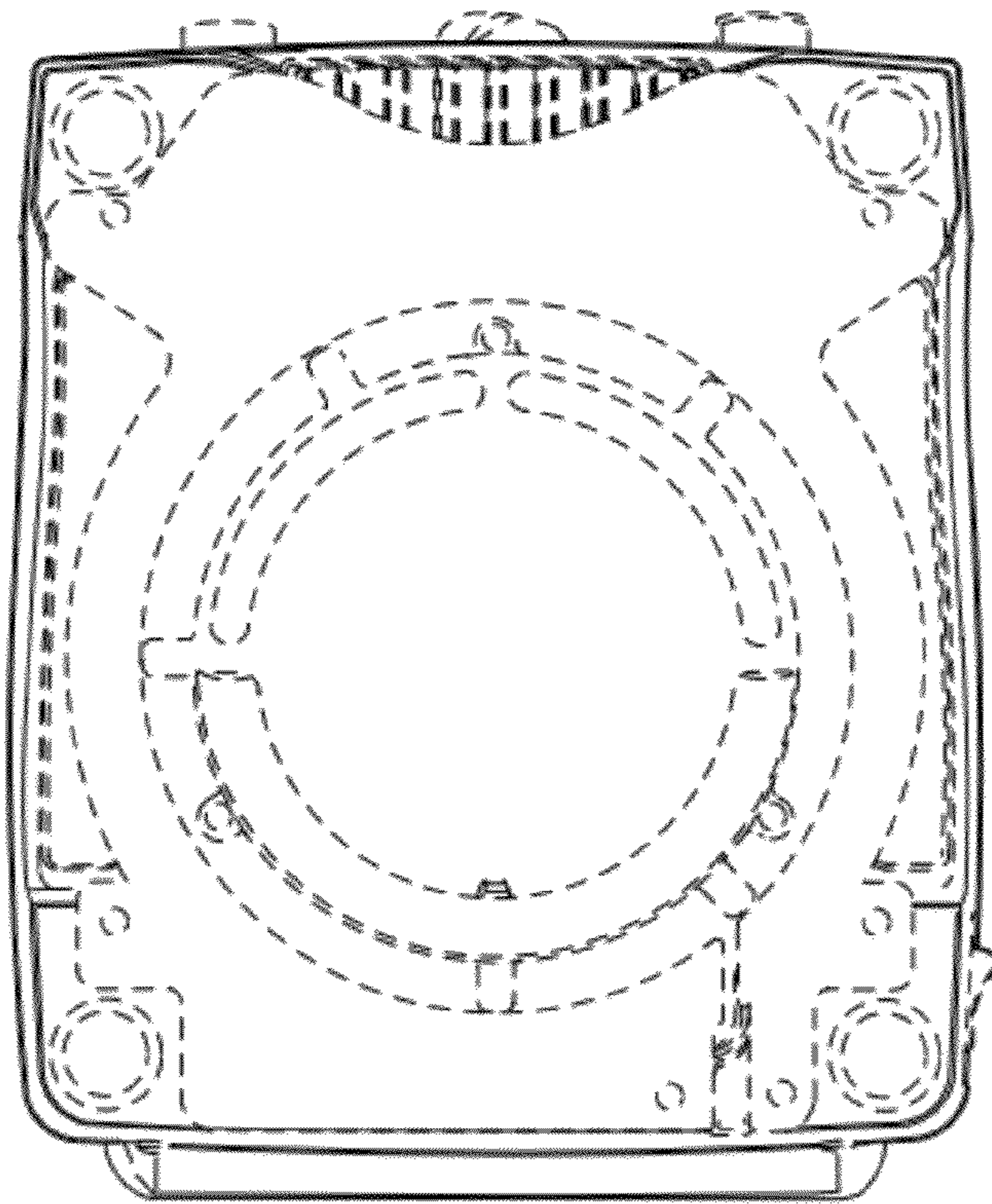


FIG. 6

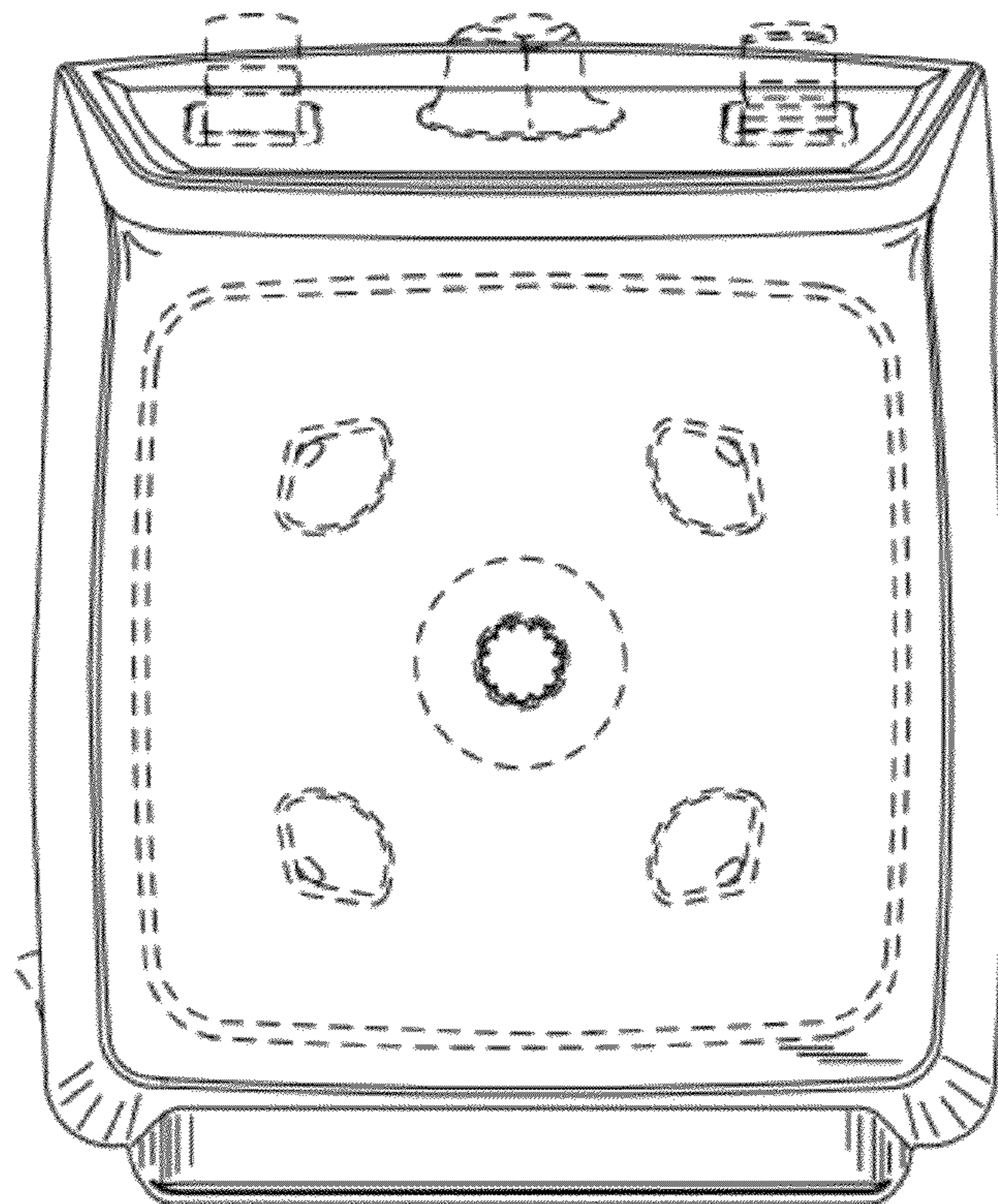


FIG. 7