



US00D660640S

(12) **United States Design Patent**
De'Longhi

(10) **Patent No.:** **US D660,640 S**

(45) **Date of Patent:** **** May 29, 2012**

(54) **ELECTRIC GRILL**

(75) **Inventor:** **Giuseppe De'Longhi, Treviso (IT)**

(73) **Assignee:** **De'Longhi Appliances SRL Con Unico Socio, Treviso (IT)**

(**) **Term:** **14 Years**

(21) **Appl. No.:** **29/401,321**

(22) **Filed:** **Sep. 9, 2011**

(51) **LOC (9) Cl.** **07-02**

(52) **U.S. Cl.** **D7/362; D7/354; D7/363; D7/409**

(58) **Field of Classification Search** **D7/323, D7/329-331, 337, 339, 346-347, 350.1-350.4, D7/353-367, 391, 393, 395, 402, 406, 538, D7/542; 99/324-325, 331-332, 337-340, 99/369, 400-418, 422, 425, 444-446, 483; 126/37 R, 261, 378.1; 206/501-505, 507-508; 219/386, 400, 405, 429-442, 450.1, 620-624, 219/725, 730-735; 220/315, 573.1-573.5, 220/912; 426/438, 441**

See application file for complete search history.

(56) **References Cited**

U.S. PATENT DOCUMENTS

D351,083 S *	10/1994	O'Brien et al.	D7/363
5,524,528 A *	6/1996	Yeh	99/446
D377,134 S *	1/1997	Des Touche	D7/362
D380,342 S *	7/1997	Edmonds	D7/363
D394,584 S *	5/1998	Weber	D7/363
5,884,555 A *	3/1999	Chang	99/425
D415,927 S *	11/1999	Weber	D7/363
6,024,014 A *	2/2000	Kasai	99/425
D429,946 S *	8/2000	Lee	D7/362

D431,152 S *	9/2000	Lee	D7/362
D432,852 S *	10/2000	Mosher et al.	D7/337
D436,796 S *	1/2001	Kalina et al.	D7/363
D437,183 S *	2/2001	Wong et al.	D7/362
D441,250 S *	5/2001	Choi	D7/362
D444,667 S *	7/2001	Wong et al.	D7/362
6,262,399 B1 *	7/2001	Lau et al.	219/450.1
D452,630 S *	1/2002	Choi	D7/362
6,433,312 B1 *	8/2002	Chen	219/386
D473,419 S *	4/2003	Garman	D7/363
D484,737 S *	1/2004	Bodum	D7/337
D497,769 S *	11/2004	Steinberg et al.	D7/363
D505,044 S *	5/2005	Hei	D7/363
D514,876 S *	2/2006	Simond	D7/363
D610,394 S *	2/2010	Bodum	D7/362
D618,047 S *	6/2010	Seymour	D7/367
D644,059 S *	8/2011	Bodum	D7/363

* cited by examiner

Primary Examiner — Ricky Pham

(74) *Attorney, Agent, or Firm* — Hamre, Schumann, Mueller & Larson, P.C.

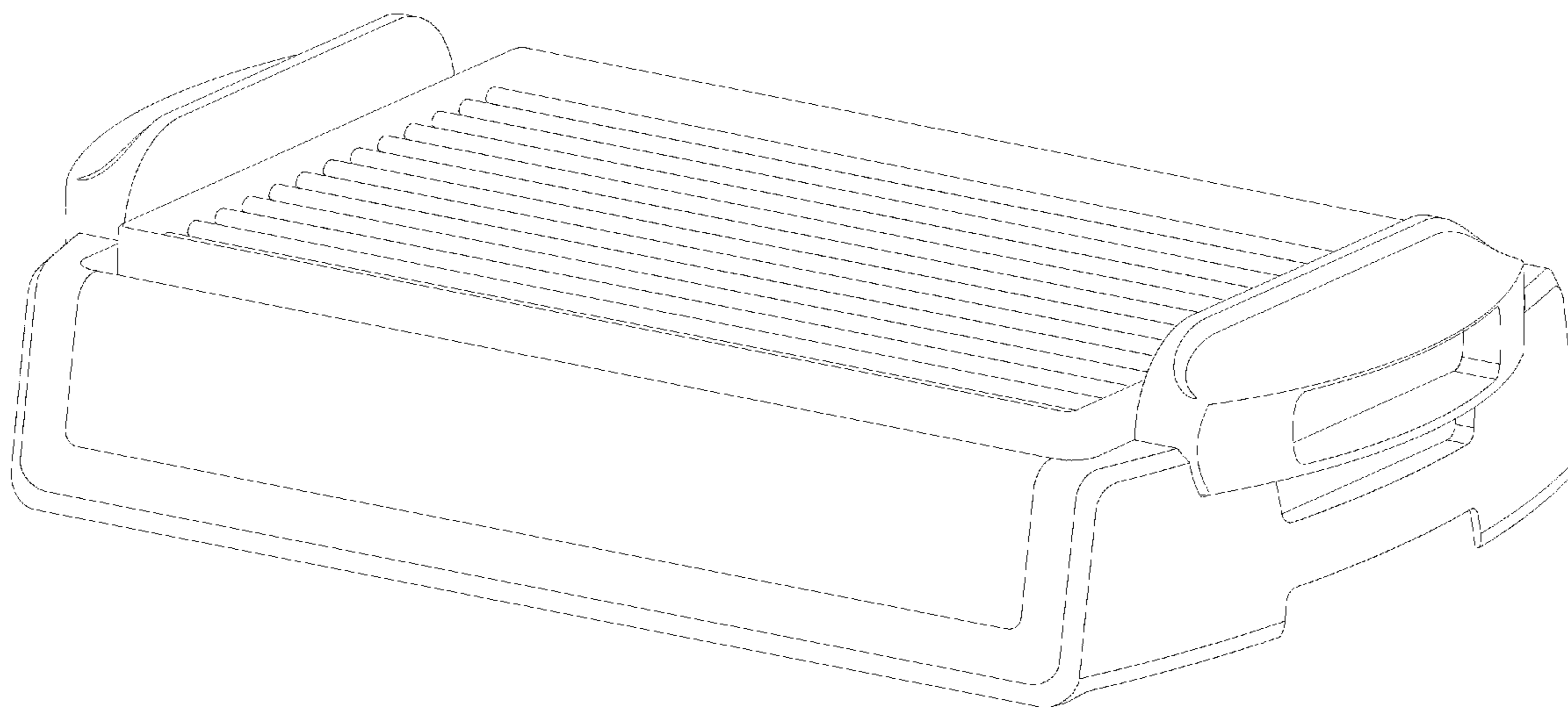
(57) **CLAIM**

The ornamental design for an electric grill, as shown and described.

DESCRIPTION

FIG. 1 is a front right perspective view of an electric grill showing my new design;
FIG. 2 is a front view thereof;
FIG. 3 is a back view thereof;
FIG. 4 is an enlarged right side view thereof;
FIG. 5 is an enlarged left side view thereof;
FIG. 6 is a top view thereof; and,
FIG. 7 is a bottom view thereof.

1 Claim, 7 Drawing Sheets



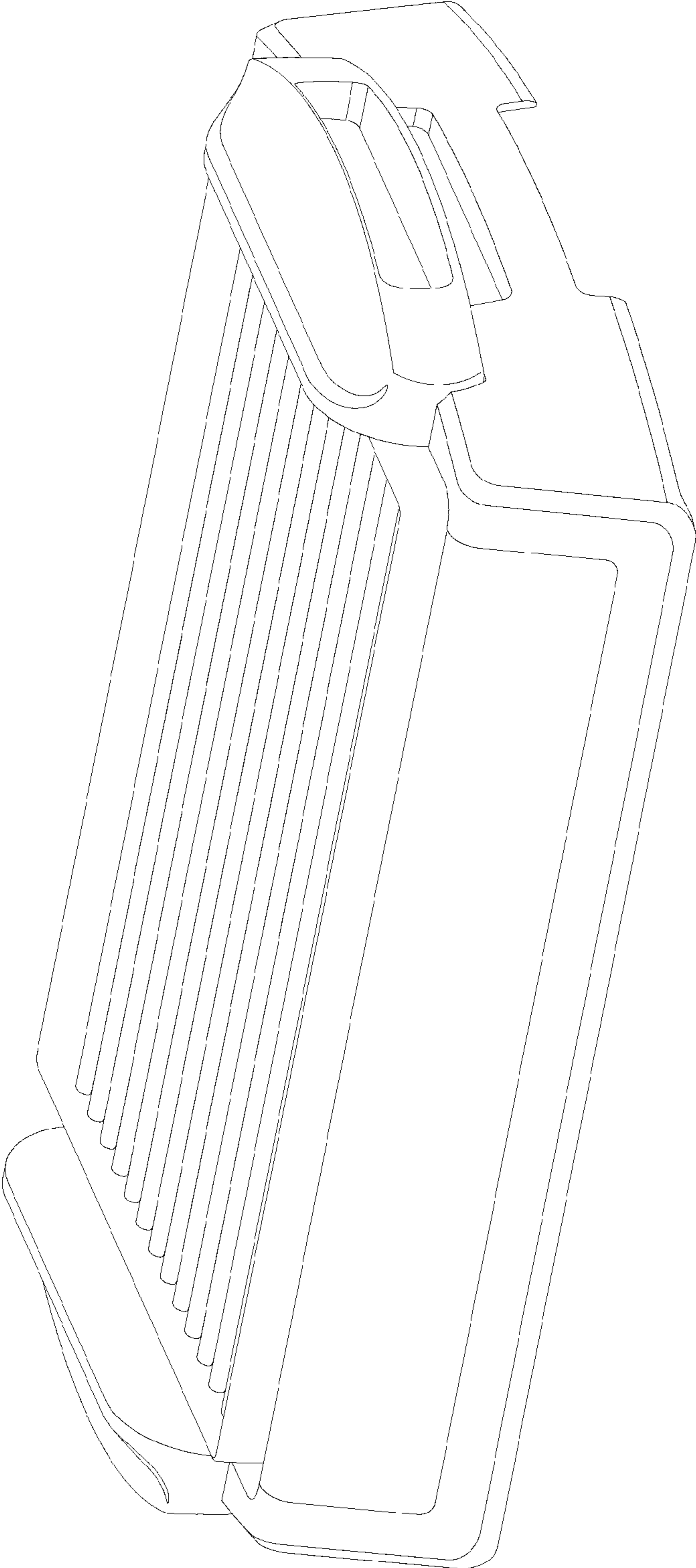


FIG. 1

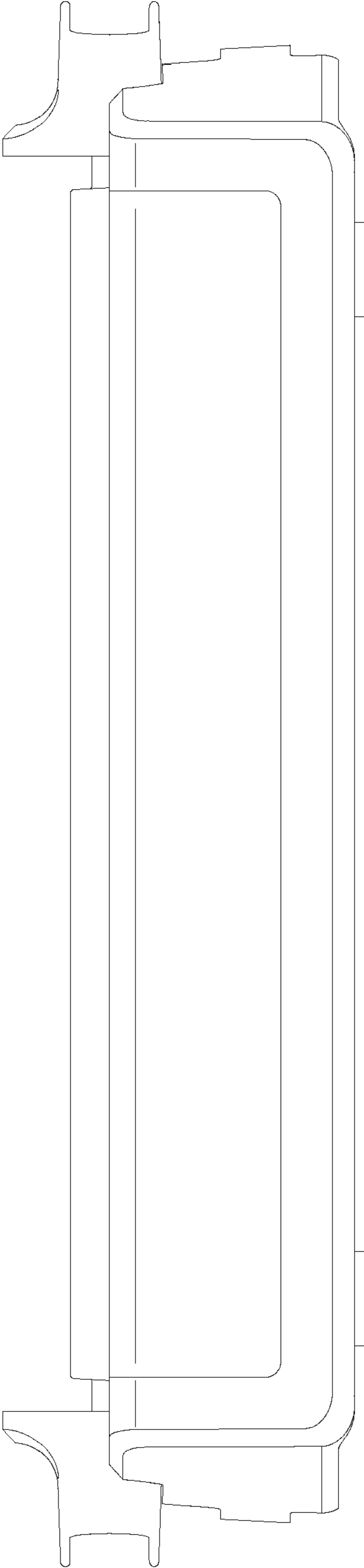


FIG. 2

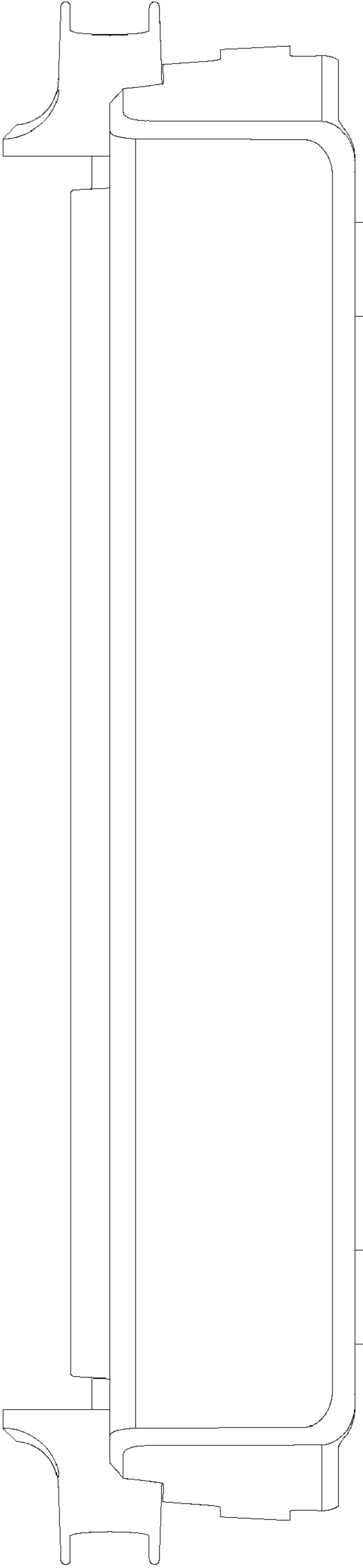


FIG. 3

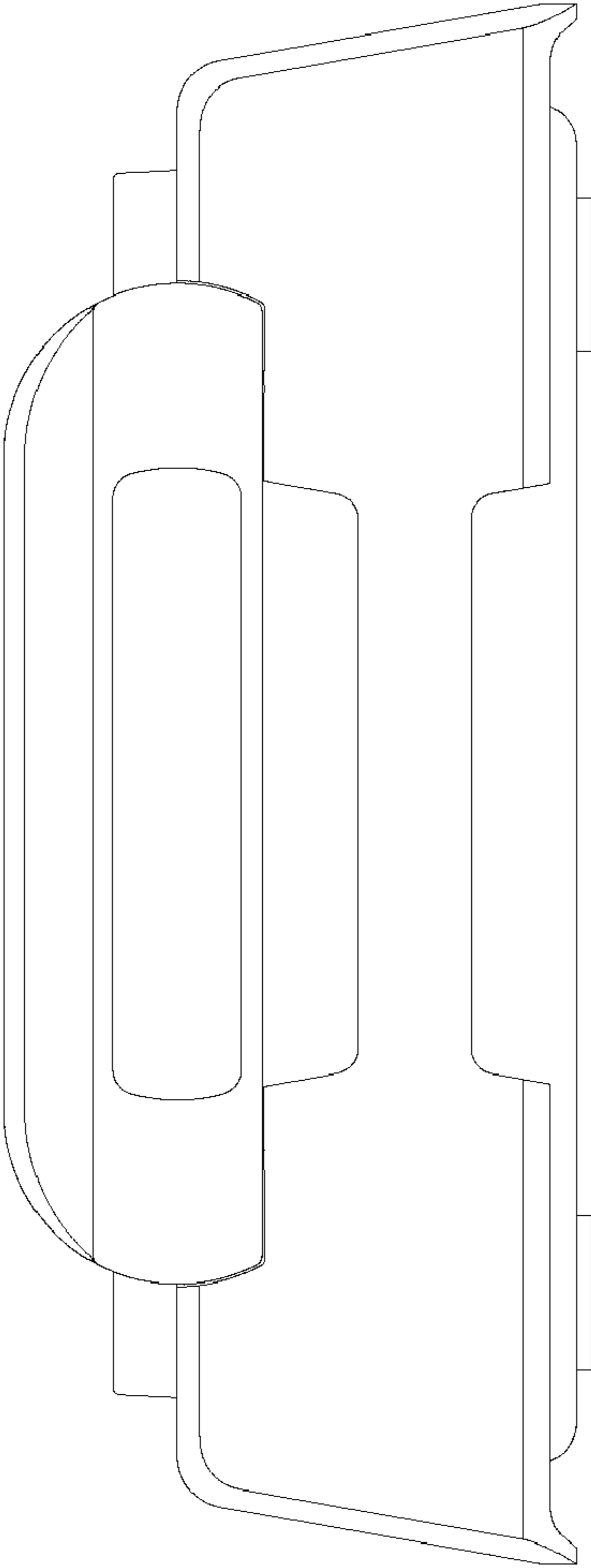


FIG. 4

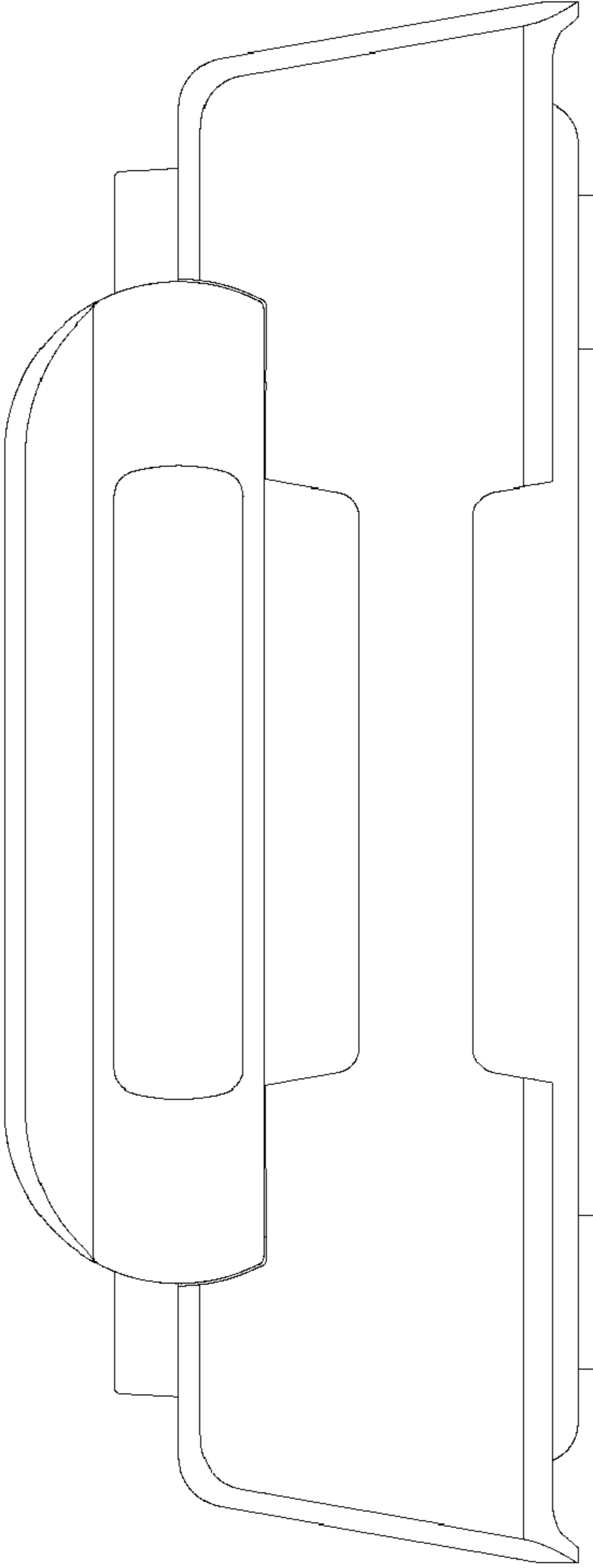


FIG. 5

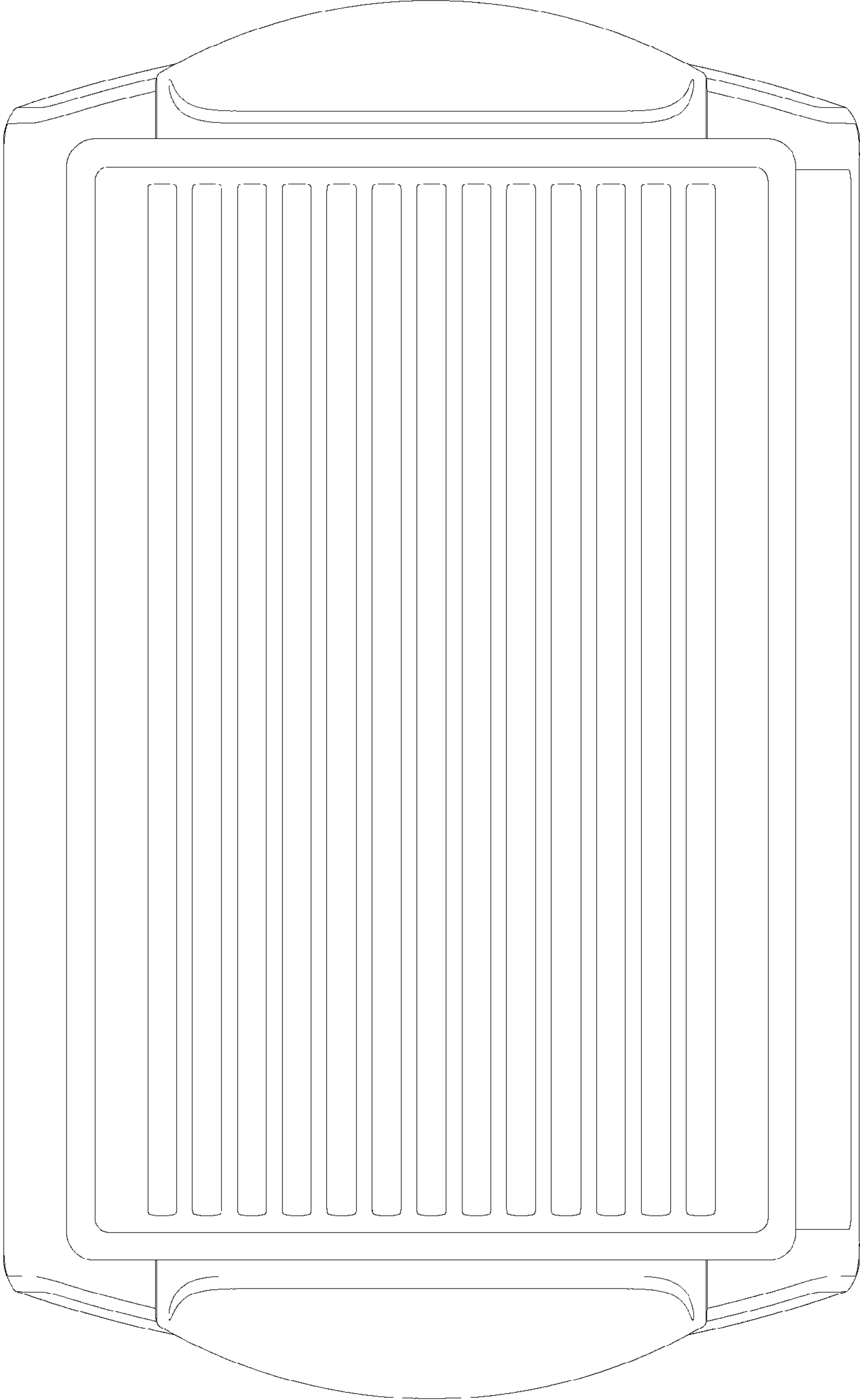


FIG. 6

FIG. 7

