

US00D660638S

(12) **United States Design Patent**  
**Schindler**

(10) **Patent No.:** **US D660,638 S**

(45) **Date of Patent:** **\*\* May 29, 2012**

(54) **OVEN AND TABLE**

(75) Inventor: **Kilian Schindler**, Karlsruhe (DE)

(73) Assignee: **Naber Holding GmbH & Co. KG** (DE)

(\*\*) Term: **14 Years**

(21) Appl. No.: **29/400,055**

(22) Filed: **Aug. 23, 2011**

(30) **Foreign Application Priority Data**

Feb. 23, 2011 (EP) ..... 001825274

(51) **LOC (9) Cl.** ..... **07-02**

(52) **U.S. Cl.** ..... **D7/339**

(58) **Field of Classification Search** ..... D7/339,  
D7/340, 346–350.1; 126/1 R, 19 R, 33, 55,  
126/125 R; 219/440–441; 99/422, 337;  
D6/422

See application file for complete search history.

(56) **References Cited**

**U.S. PATENT DOCUMENTS**

1,495,862 A \* 5/1924 Meacham ..... 126/39 G  
D116,807 S \* 9/1939 Russell et al. .... D7/339

2,181,434 A \* 11/1939 Lewis et al. .... 99/337  
D127,120 S \* 5/1941 Woodman ..... D7/347  
D162,206 S \* 2/1951 Merkle ..... D7/339  
3,503,378 A \* 3/1970 Jones ..... 126/33  
D235,241 S \* 6/1975 Peters, Jr. .... D7/340  
D236,067 S \* 7/1975 Peters, Jr., ..... D7/340  
D494,805 S \* 8/2004 Chua et al. .... D7/339  
D531,446 S \* 11/2006 Few, Sr. .... D7/339

\* cited by examiner

*Primary Examiner* — Catheri Oliver

(74) *Attorney, Agent, or Firm* — Brian B. Diekhoff;  
Polsinelli Shughart PC

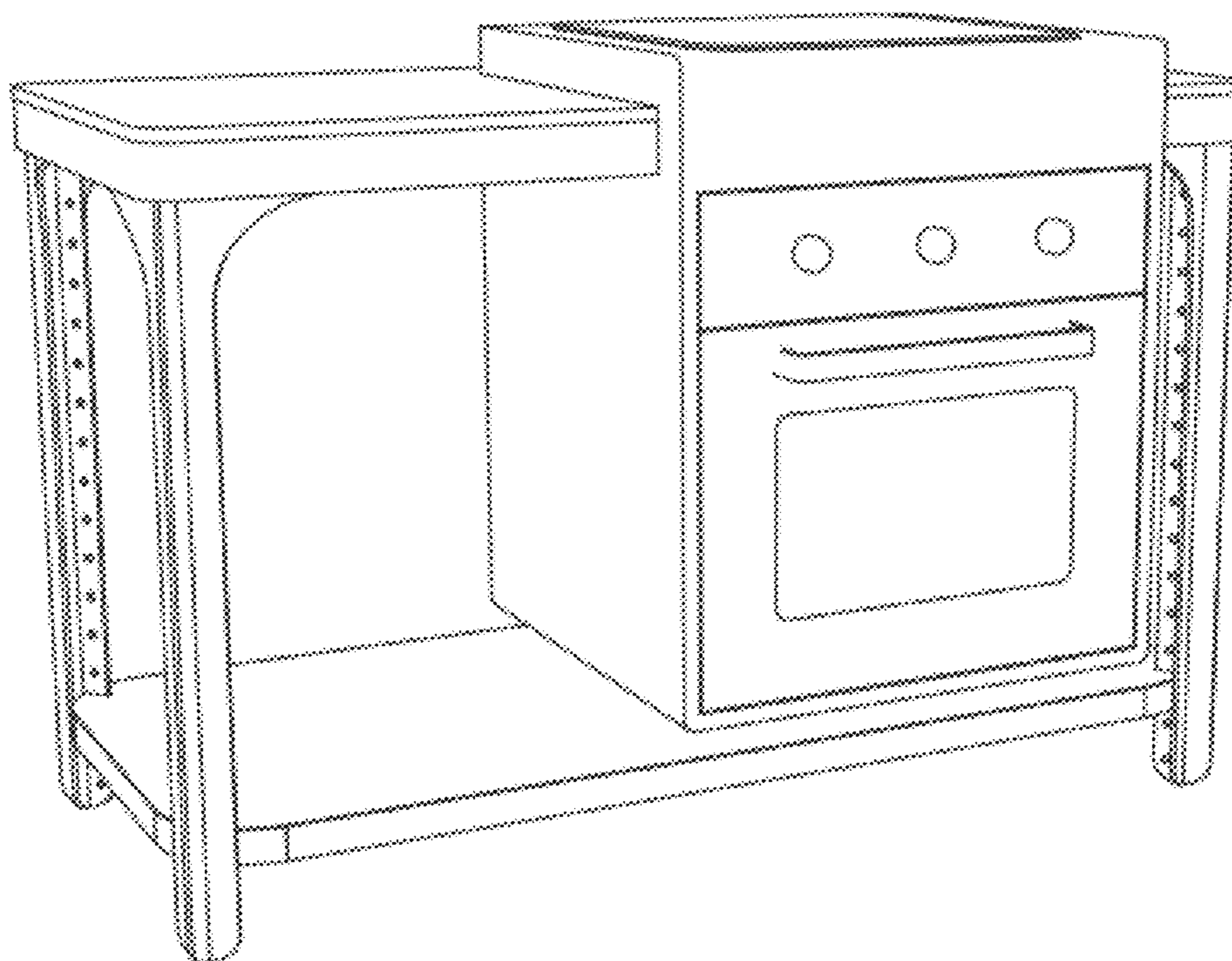
(57) **CLAIM**

The ornamental design for an oven and table, as shown and described.

**DESCRIPTION**

FIG. 1 is a perspective view of the oven and table;  
FIG. 2 is a top view of the oven and table;  
FIG. 3 is a bottom view of the oven and table;  
FIG. 4 is a front view of the oven and table;  
FIG. 5 is a rear view of the oven and table; and,  
FIG. 6 is a side view of the oven and table.

**1 Claim, 6 Drawing Sheets**



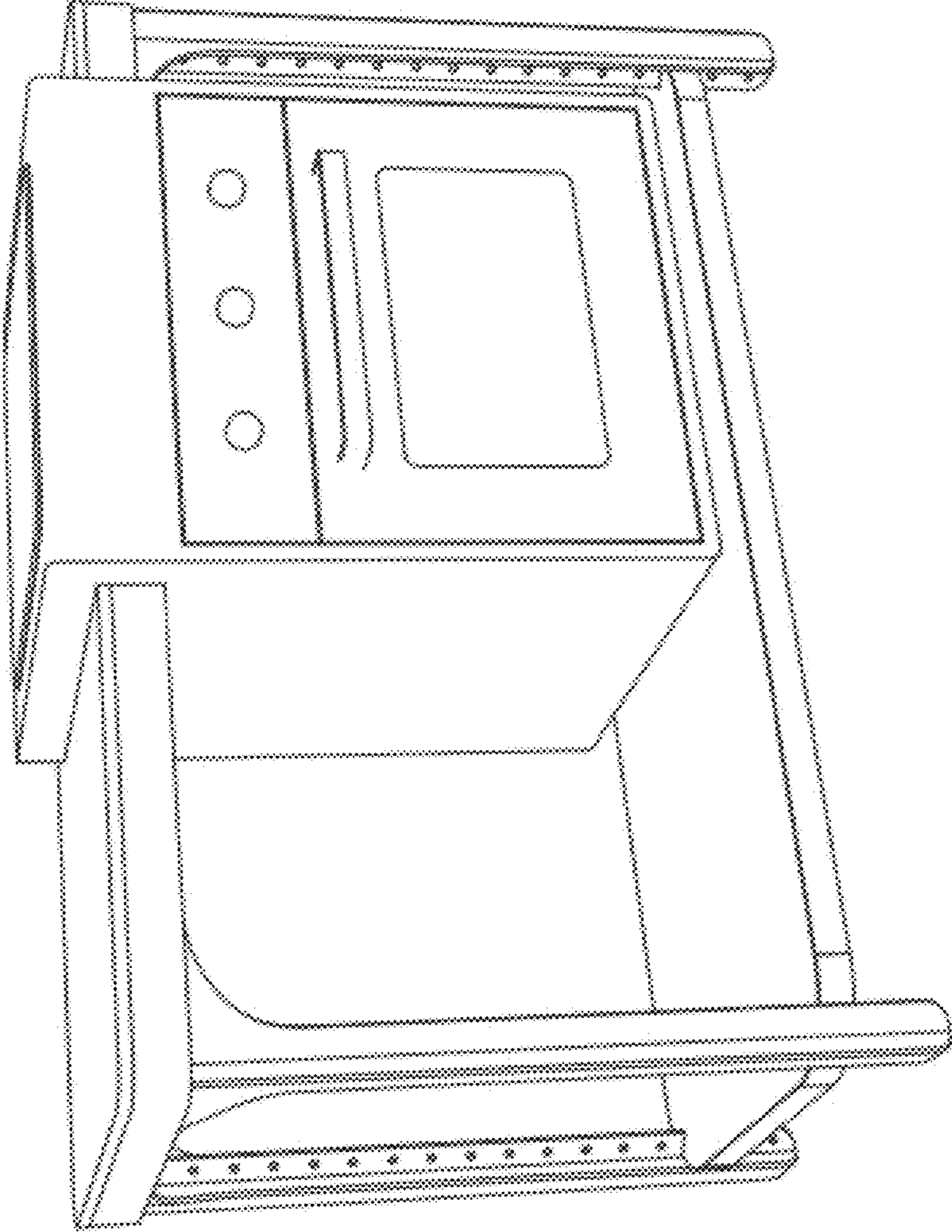


FIG. 1

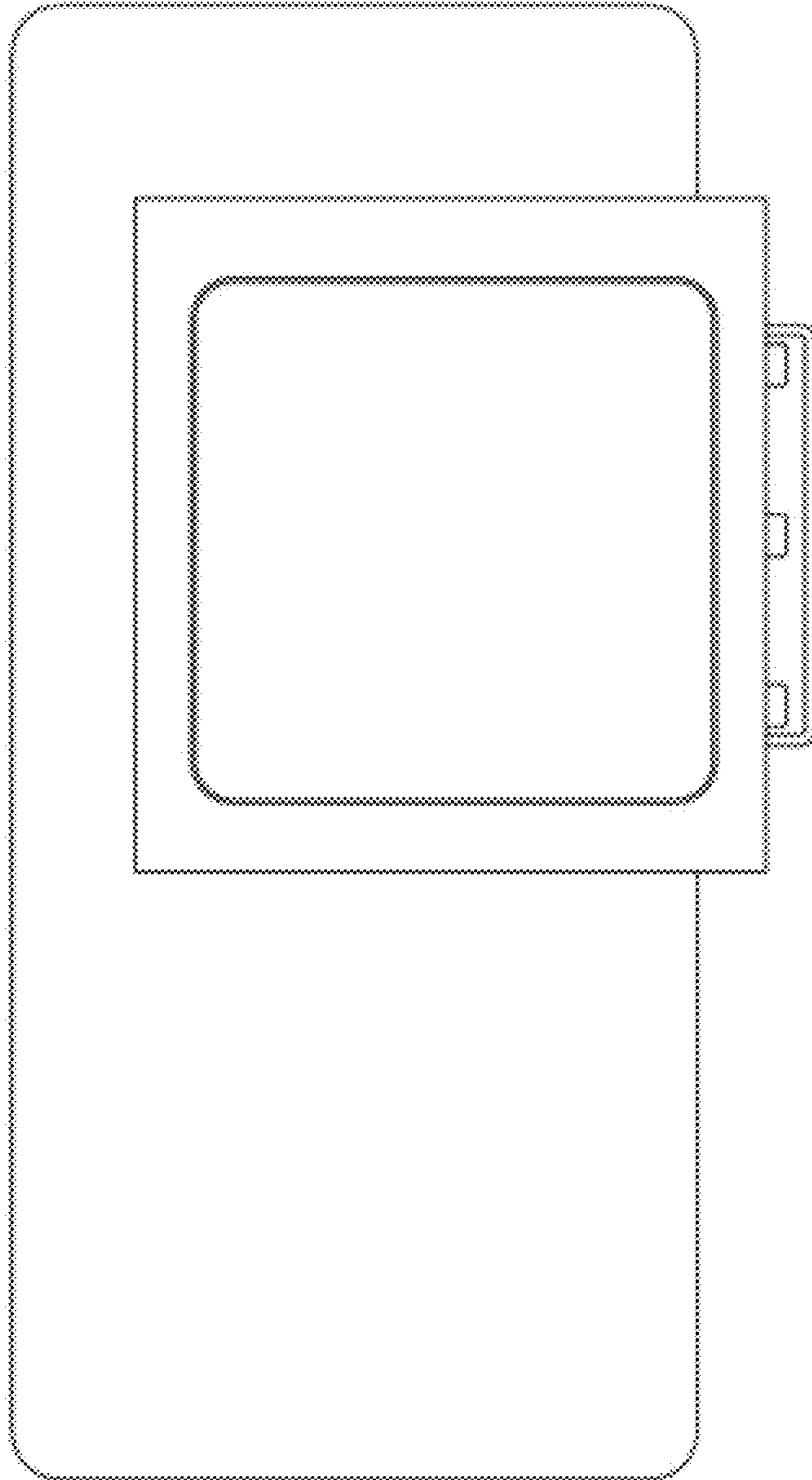


FIG. 2

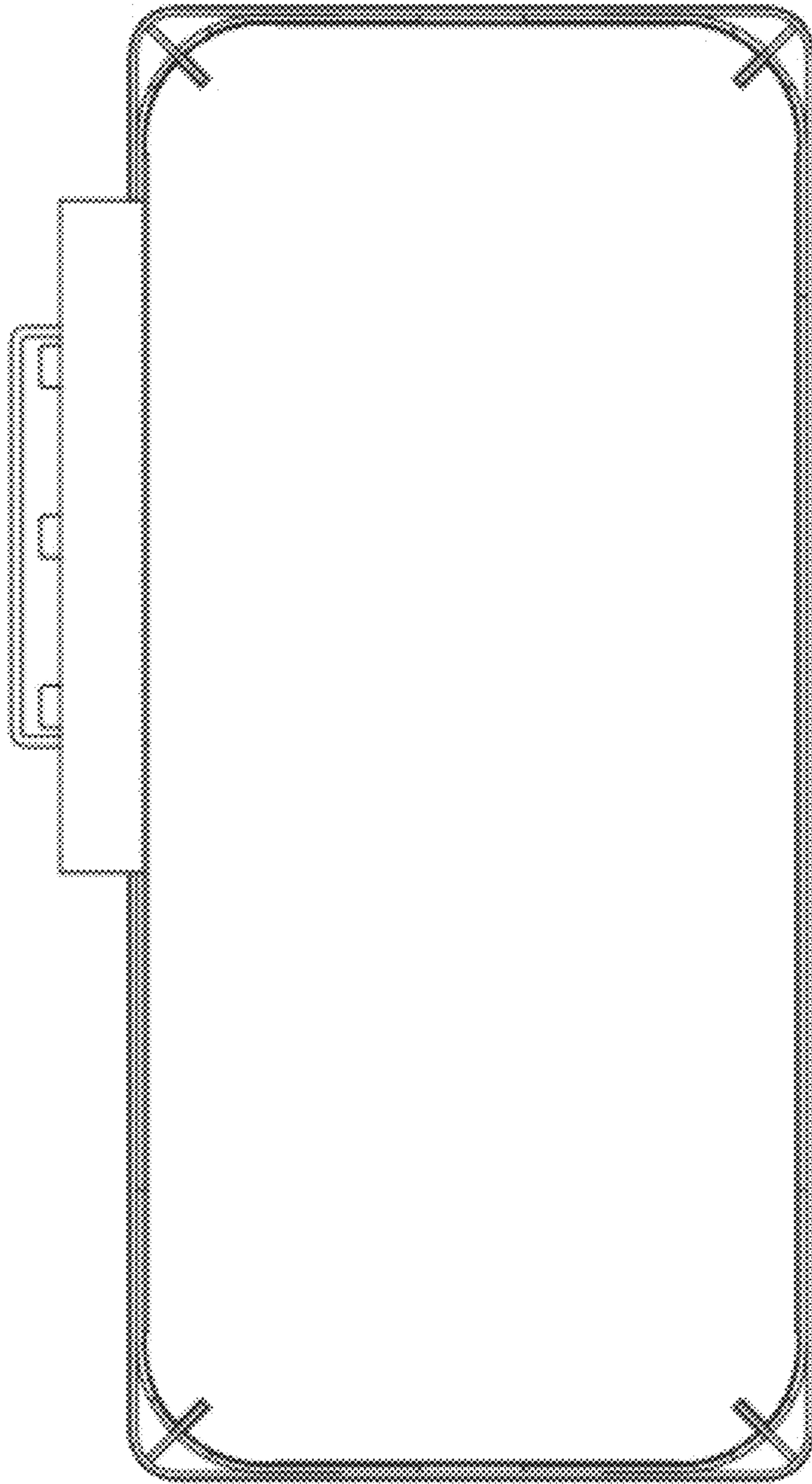


FIG. 3

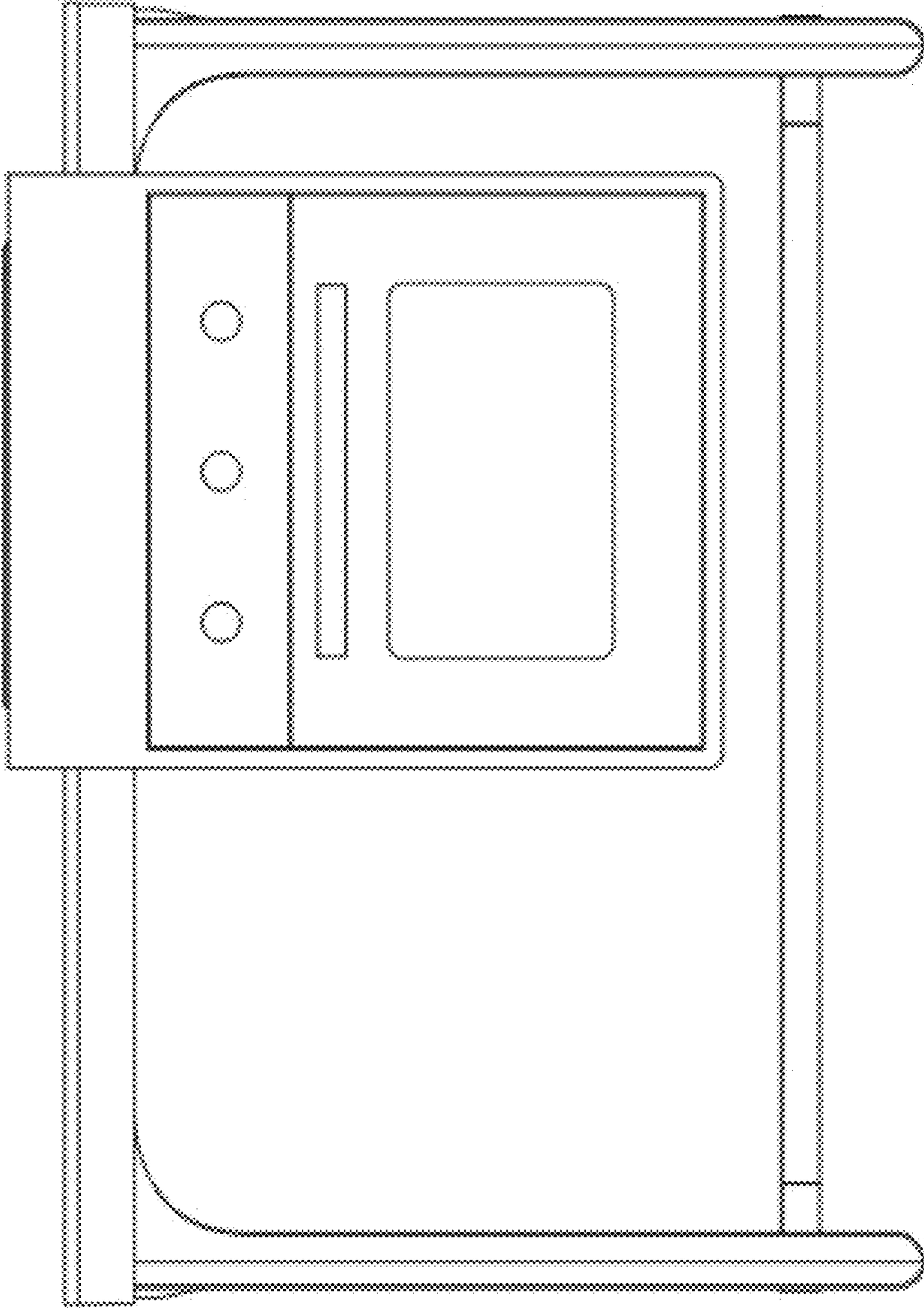


FIG. 4

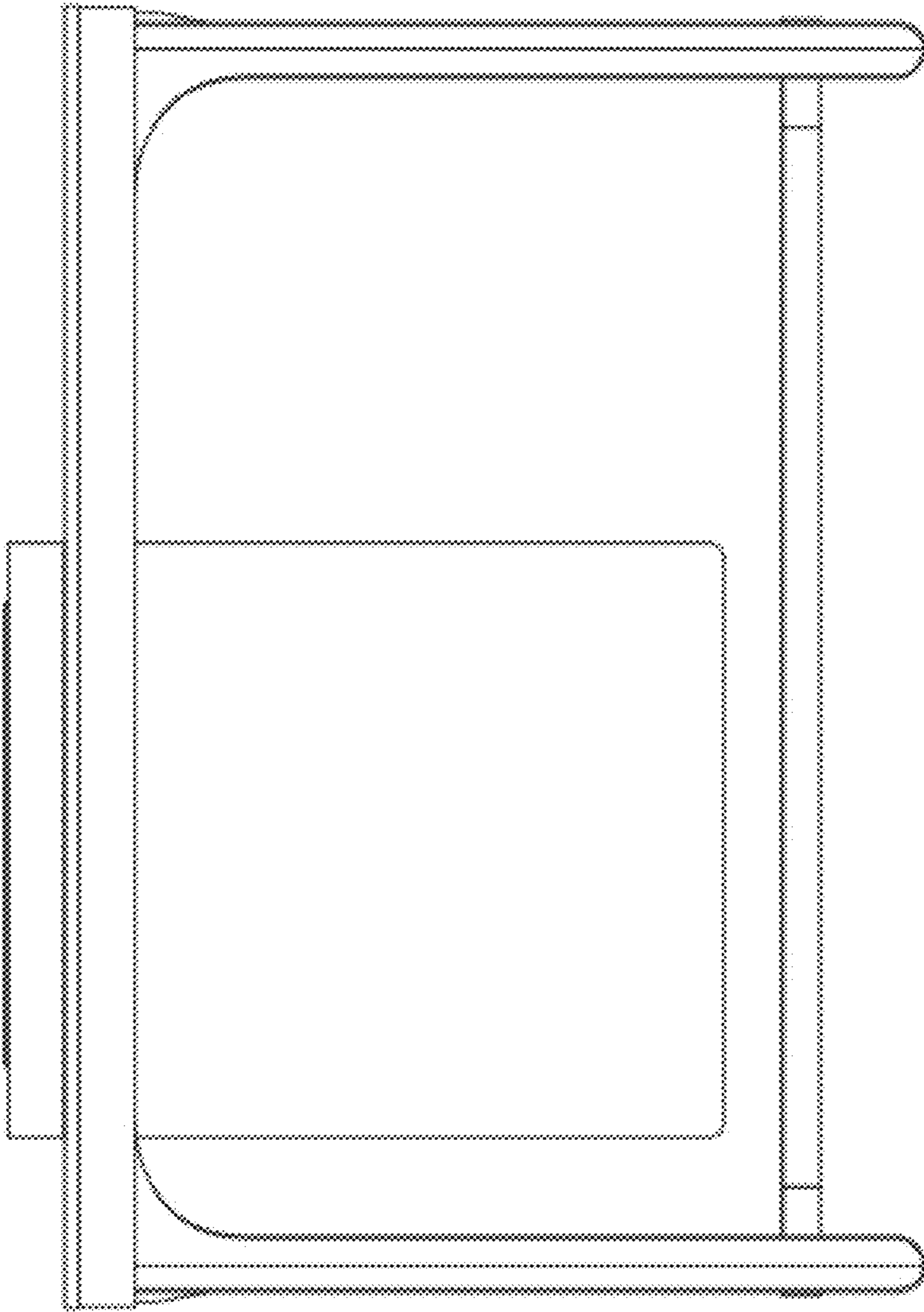


FIG. 5

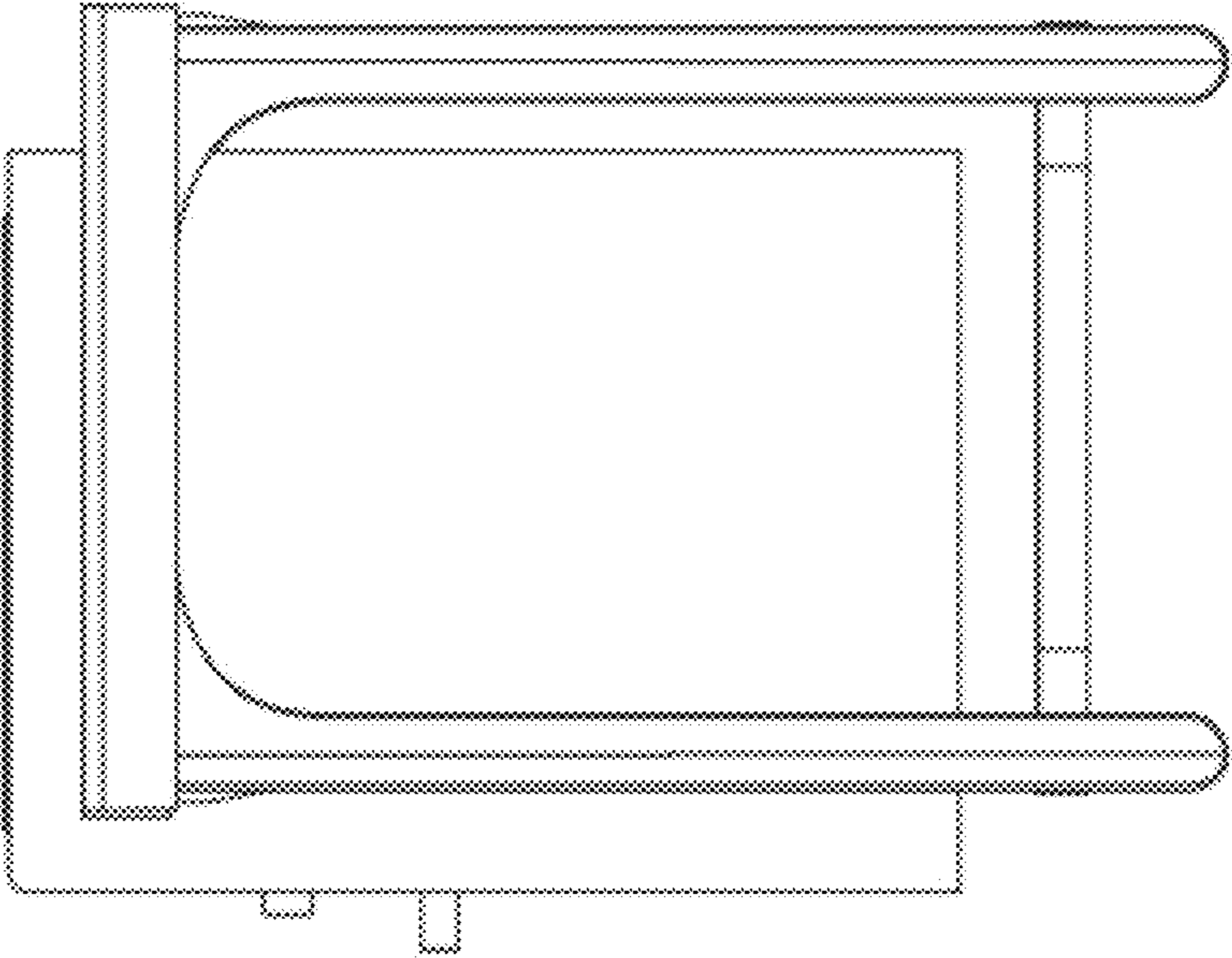


FIG. 6