



US00D660637S

(12) **United States Design Patent**
Milewski et al.

(10) **Patent No.:** **US D660,637 S**

(45) **Date of Patent:** **** May 29, 2012**

(54) **WATER CONTAINER**

(75) Inventors: **Thomas Milewski**, Halstenbek (DE);
Heiko Tullney, Hamburg (DE)

(73) Assignee: **Brita GmbH**, Taunusstein (DE)

(**) Term: **14 Years**

(21) Appl. No.: **29/372,429**

(22) Filed: **Nov. 18, 2010**

(30) **Foreign Application Priority Data**

May 18, 2010 (DE) 40 2010 002 757

(51) **LOC (9) Cl.** **07-01**

(52) **U.S. Cl.** **D7/317; D7/316; D7/300; D7/306;**
D23/207

(58) **Field of Classification Search** D7/300,
D7/305, 306, 313, 316, 317; 222/185.1,
222/146.6, 183; 210/774; D15/82; D23/207
See application file for complete search history.

(56) **References Cited**

U.S. PATENT DOCUMENTS

D319,752 S * 9/1991 Adams et al. D7/309
D420,425 S * 2/2000 Micoley et al. D23/207
6,702,154 B2 * 3/2004 Ellis 222/185.1

D496,210 S * 9/2004 Netter D7/306
D573,392 S * 7/2008 Smith D7/306
D584,098 S * 1/2009 Webster et al. D7/309
D600,492 S * 9/2009 Hammad et al. D7/309
D641,196 S * 7/2011 Gaydon D7/316

* cited by examiner

Primary Examiner — Marianne Pandozzi

(74) *Attorney, Agent, or Firm* — Hudak, Shunk & Farine Co.
LPA

(57) **CLAIM**

The ornamental design for a “water container,” as shown and described.

DESCRIPTION

FIG. 1 is a front view of a water container showing our new design;

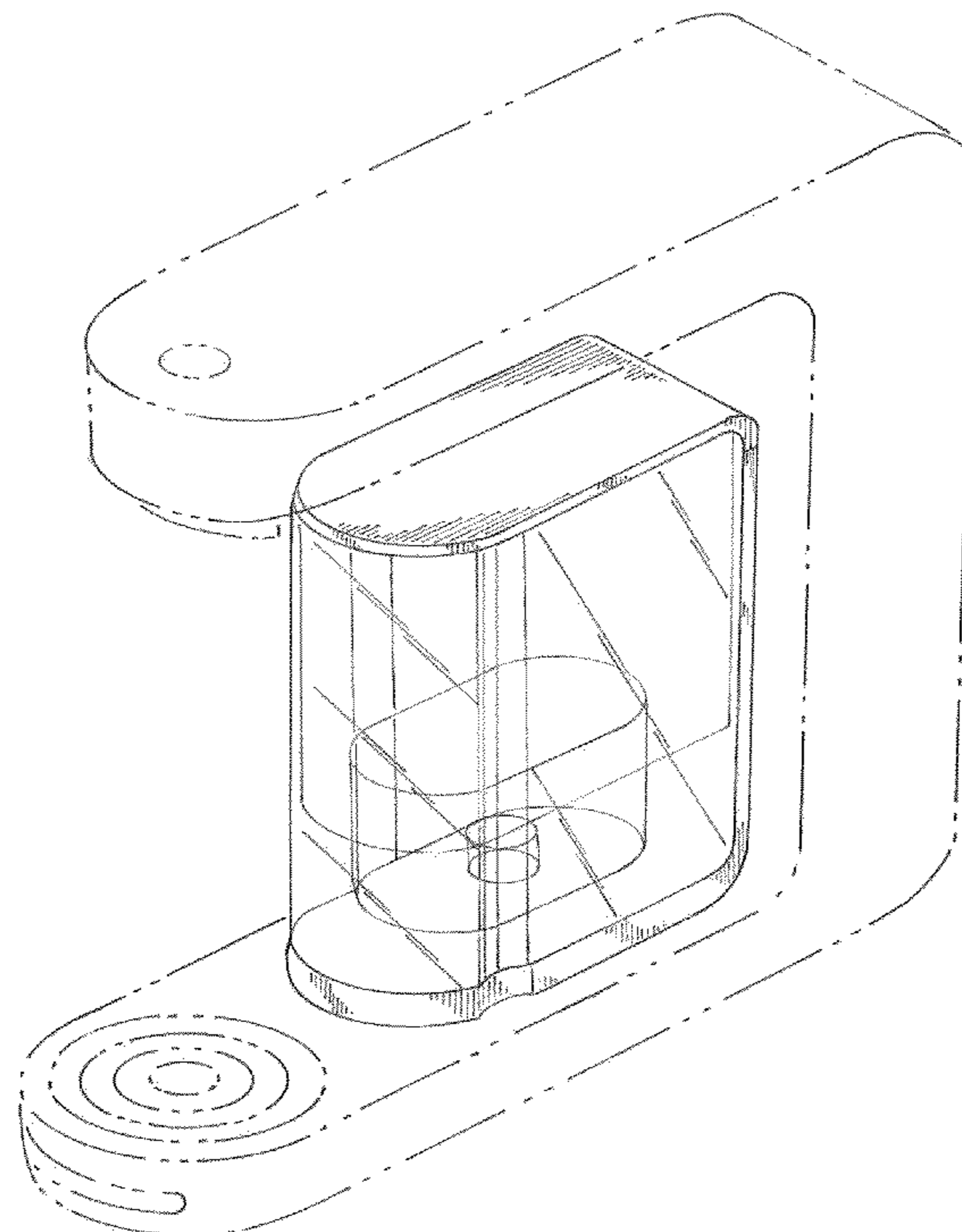
FIG. 2 is a left side view of the water container of FIG. 1;

FIG. 3 is a right side view of the water container illustrated in FIG. 1 and is a mirror image of FIG. 2;

FIG. 4 is an exploded perspective view thereof; wherein the interior funnel is partially raised from the interior; and, FIG. 5 is an in use perspective view thereof.

The broken line showing of part of an apparatus for use in preparing flavored beverages upon which the water container sits is included for the purpose of illustrating environment and forms no part of the claimed design.

1 Claim, 2 Drawing Sheets



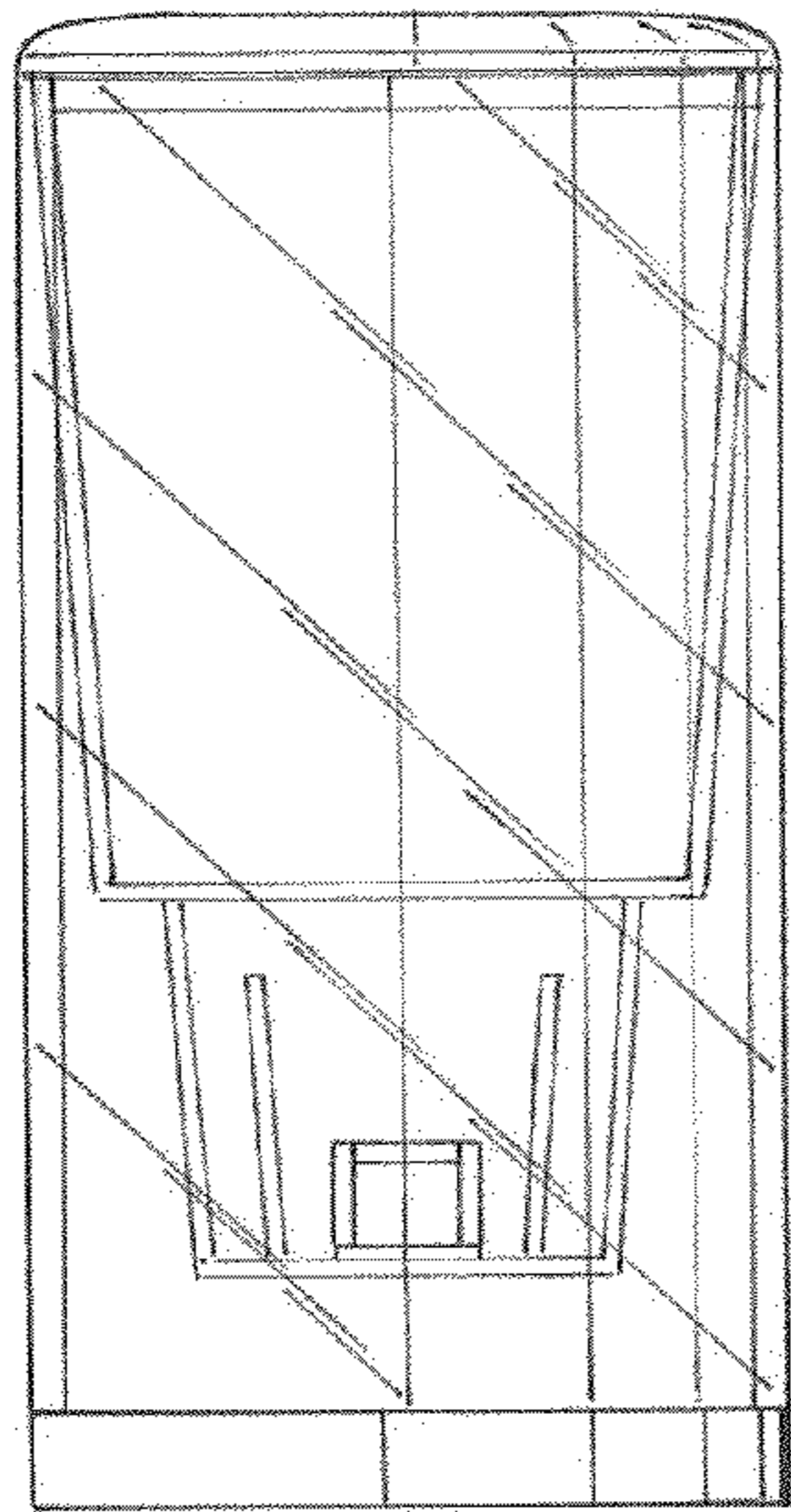


FIG.-1

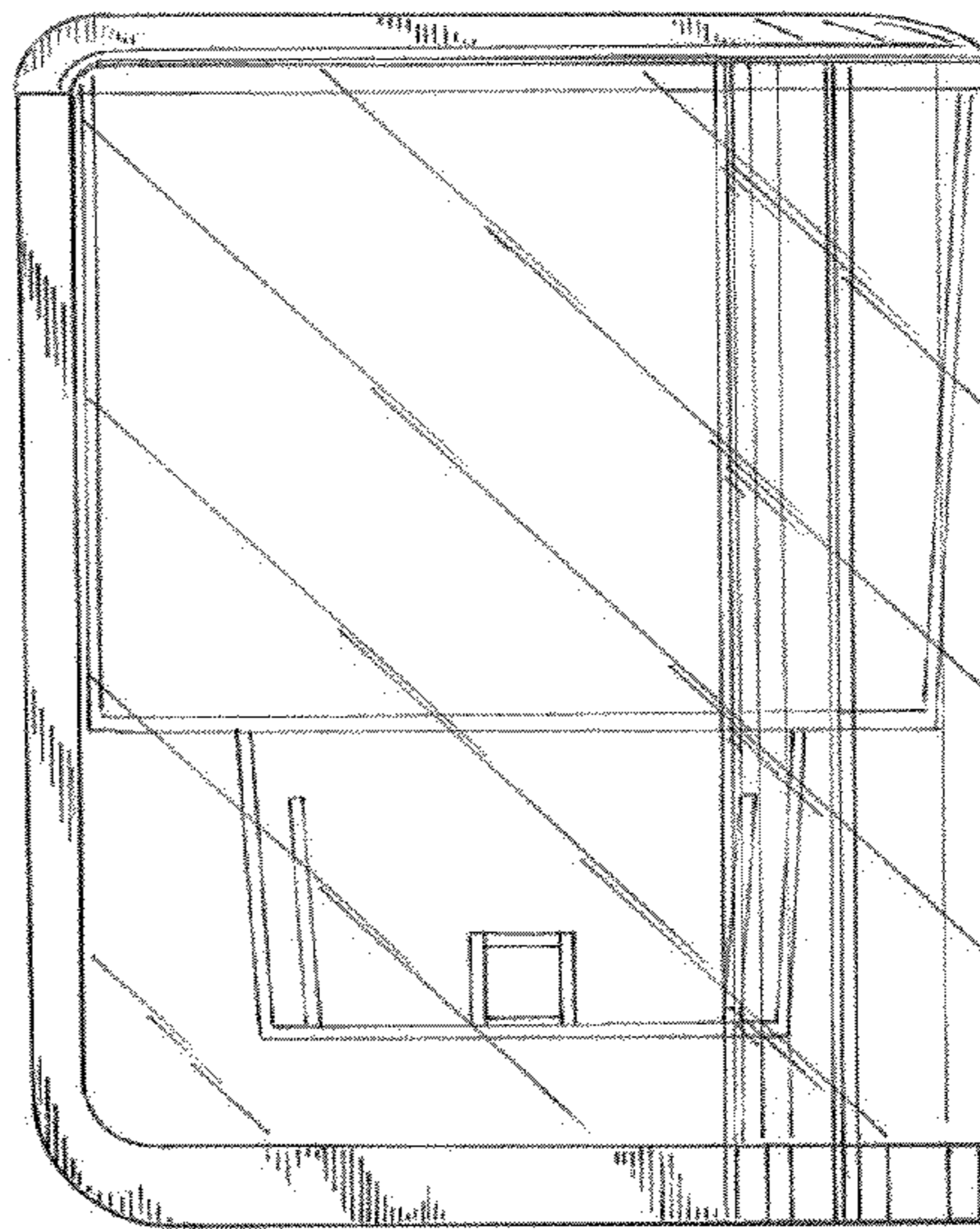


FIG.-2

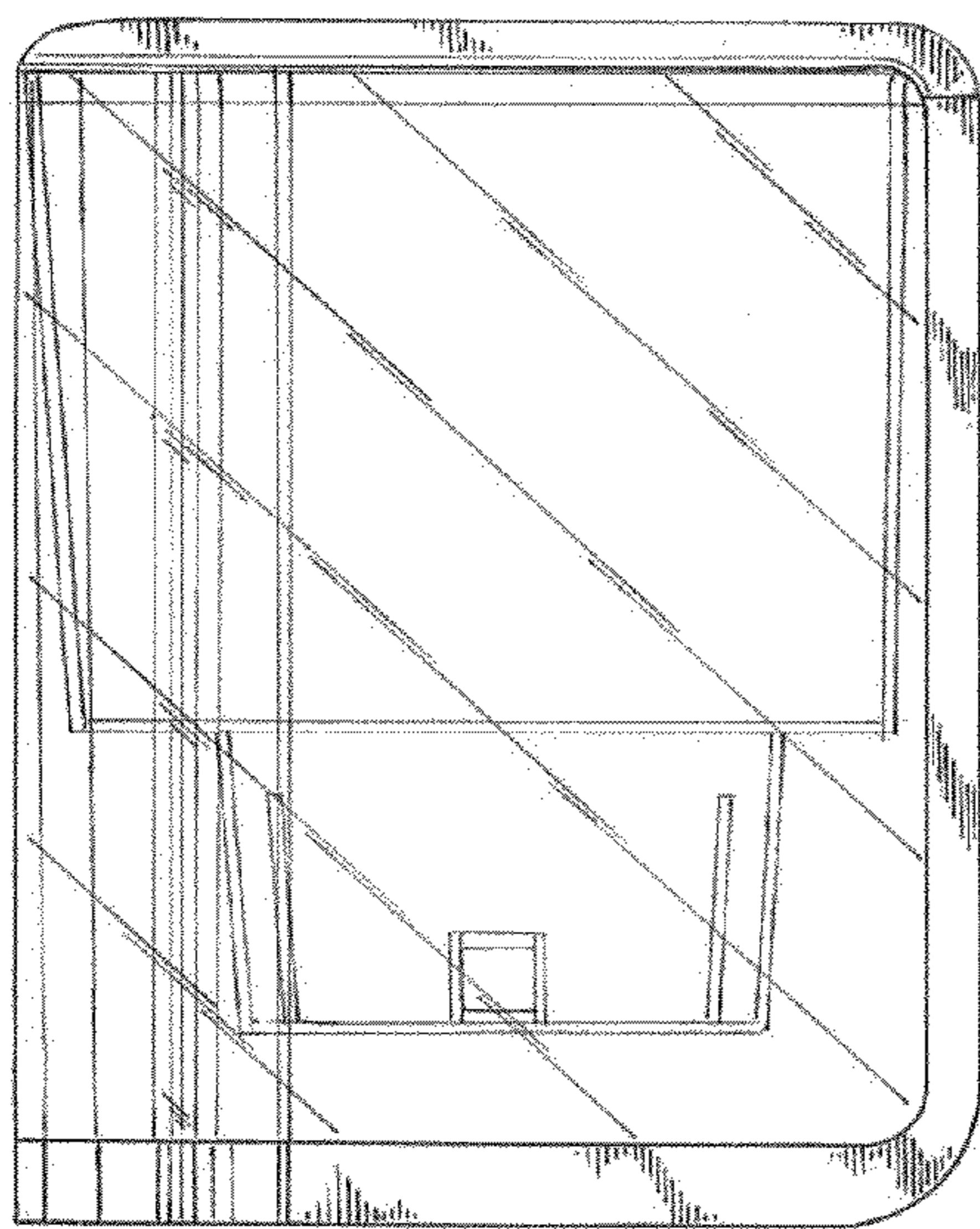


FIG.-3

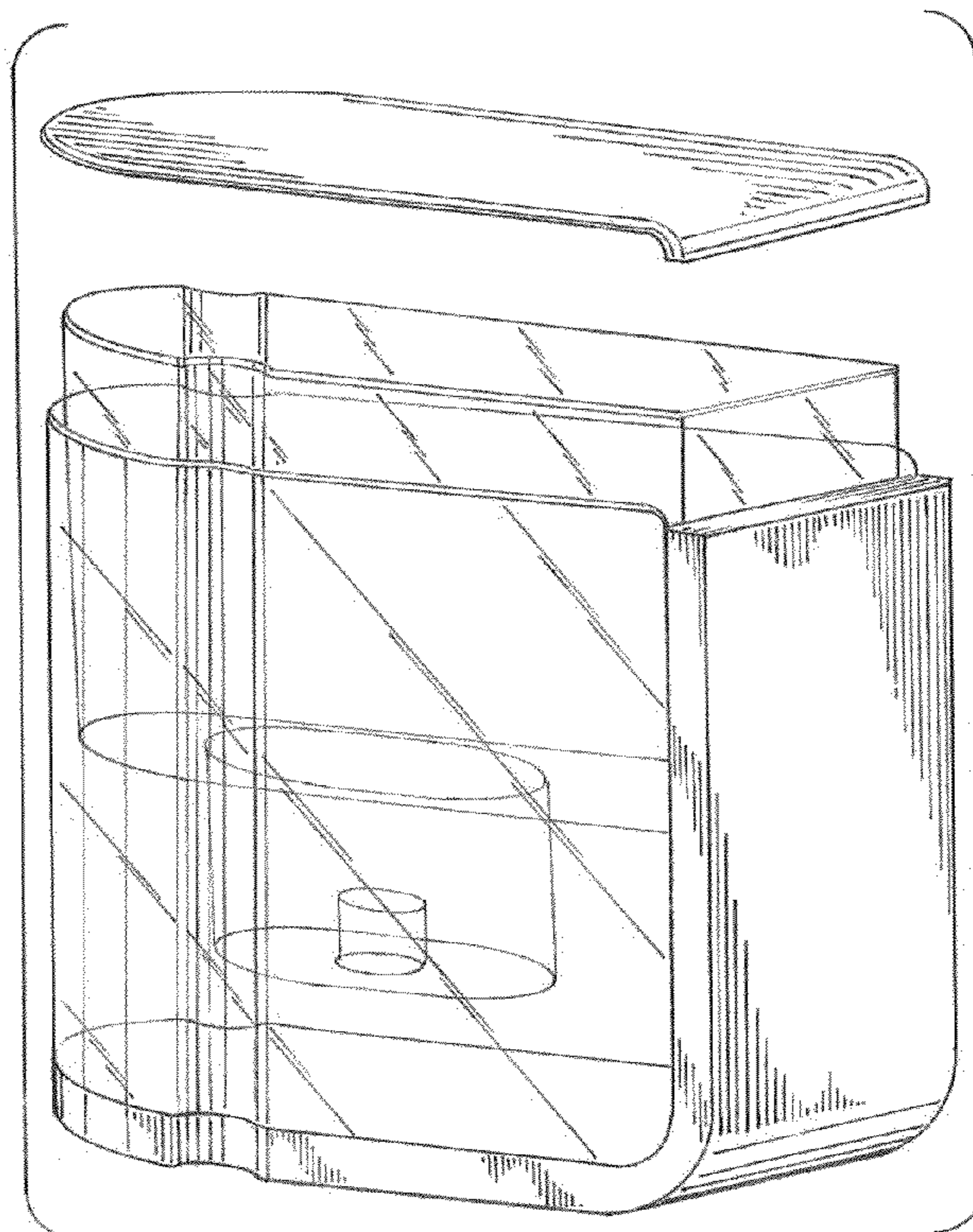


FIG.-4

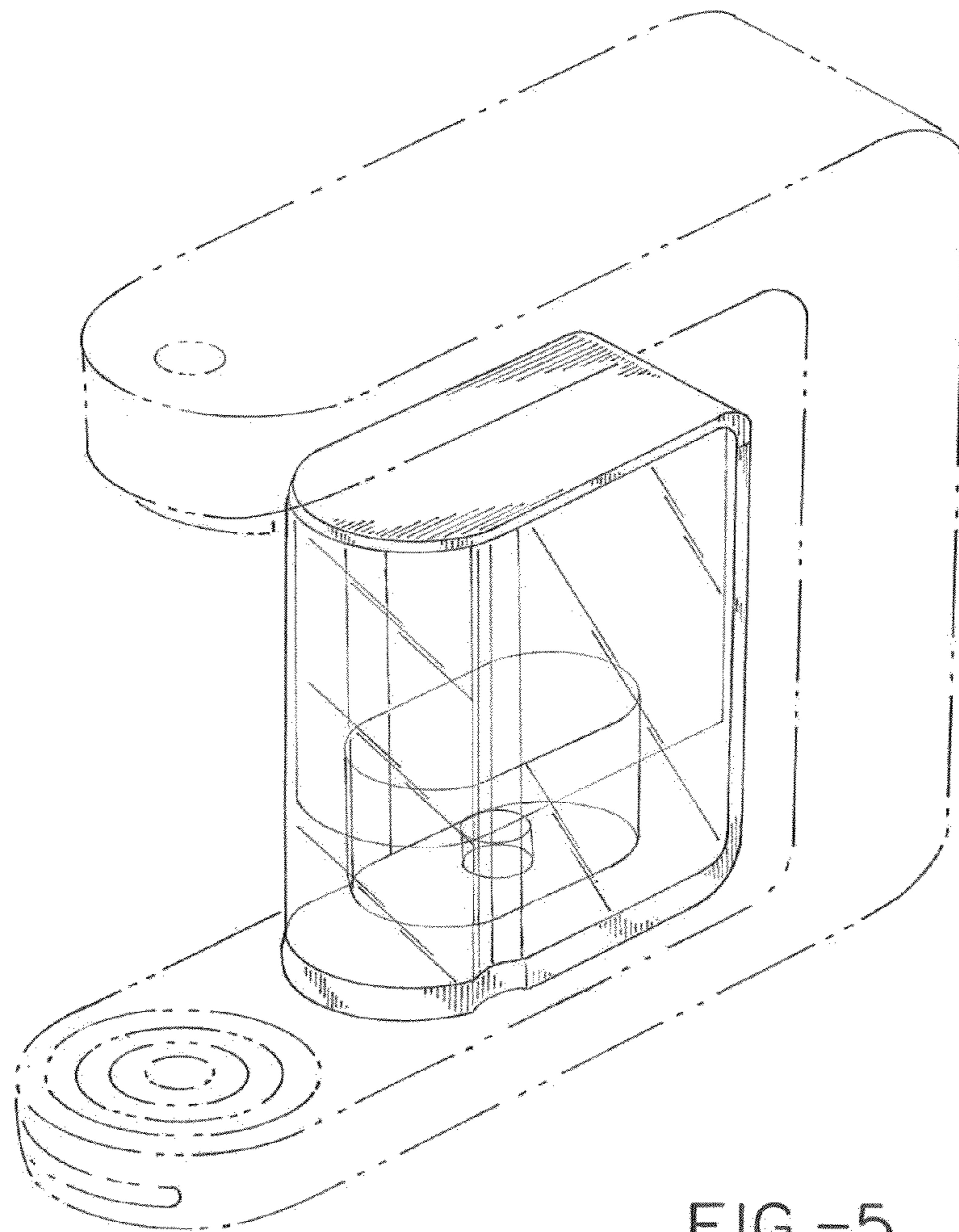


FIG.-5