

US00D660636S

(12) **United States Design Patent**  
**Wang**

(10) **Patent No.:** **US D660,636 S**

(45) **Date of Patent:** **\*\* May 29, 2012**

(54) **WATER COOLER**

(75) Inventor: **Chun Yen Wang**, El Paso, TX (US)

(73) Assignee: **MTN Products, Inc**, LaVerne, CA (US)

(\*\*) Term: **14 Years**

(21) Appl. No.: **29/402,483**

(22) Filed: **Sep. 23, 2011**

**Related U.S. Application Data**

(62) Division of application No. 29/386,303, filed on Feb. 28, 2011, now Pat. No. Des. 647,354, which is a division of application No. 29/368,518, filed on Aug. 25, 2010, now Pat. No. Des. 635,812, which is a division of application No. 29/338,769, filed on Jun. 18, 2009, now Pat. No. Des. 623,885.

(51) **LOC (9) Cl.** ..... **07-01**

(52) **U.S. Cl.** ..... **D7/306; D7/313; D7/311**

(58) **Field of Classification Search** ..... **D7/300, D7/306-311, 312, 313; 222/185.1, 146.6**  
See application file for complete search history.

(56) **References Cited**

**U.S. PATENT DOCUMENTS**

D322,534 S *	12/1991	Chaney	.....	D7/306
D350,453 S *	9/1994	Chaney	.....	D7/306
D367,797 S *	3/1996	Hauser et al.	.....	D7/307
D394,185 S *	5/1998	Eddy et al.	.....	D7/392

D399,088 S *	10/1998	Chaney	.....	D7/307
5,848,735 A *	12/1998	Eddy et al.	.....	222/185.1
5,927,557 A *	7/1999	Busick et al.	.....	222/185.1
D432,847 S *	10/2000	Smith	.....	D7/306
D498,969 S *	11/2004	Nicol	.....	D7/306
6,912,867 B2 *	7/2005	Busick	.....	62/338
D554,930 S *	11/2007	Lavy	.....	D7/307
D571,141 S *	6/2008	Roosmalen et al.	.....	D7/307
D582,194 S *	12/2008	Wang	.....	D7/313
D585,690 S *	2/2009	Dammkoehler	.....	D7/307
D604,554 S *	11/2009	Lippert et al.	.....	D7/306

\* cited by examiner

*Primary Examiner* — Marianne Pandozzi

(74) *Attorney, Agent, or Firm* — Michael P. Mazza, LLC

(57) **CLAIM**

The ornamental design for a water cooler, as shown and described.

**DESCRIPTION**

FIG. 1 is a front and side perspective view of a second preferred embodiment of the the water cooler design of the present invention;

FIG. 2 is a front perspective view of the water cooler shown in FIG. 1;

FIGS. 3 and 4 are top and bottom perspective views, respectively, of the water cooler shown in FIG. 1;

FIG. 5 is a rear perspective view of the water cooler of FIG. 1; and,

FIG. 6 is a right-side perspective view of the water cooler shown in FIG. 1.

**1 Claim, 2 Drawing Sheets**

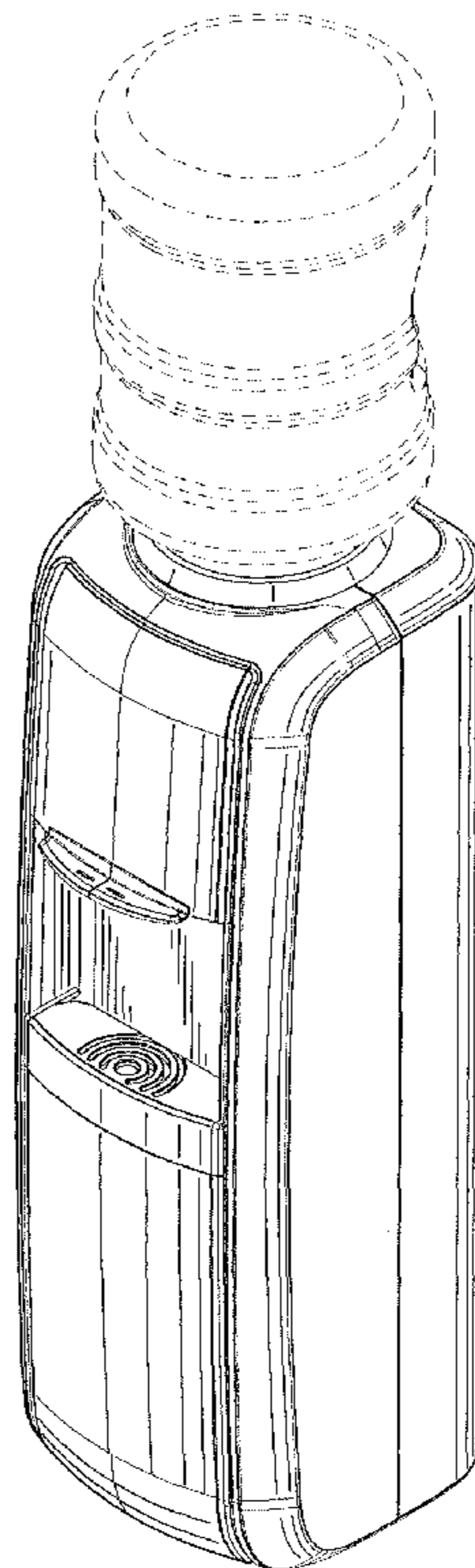


Fig. 1

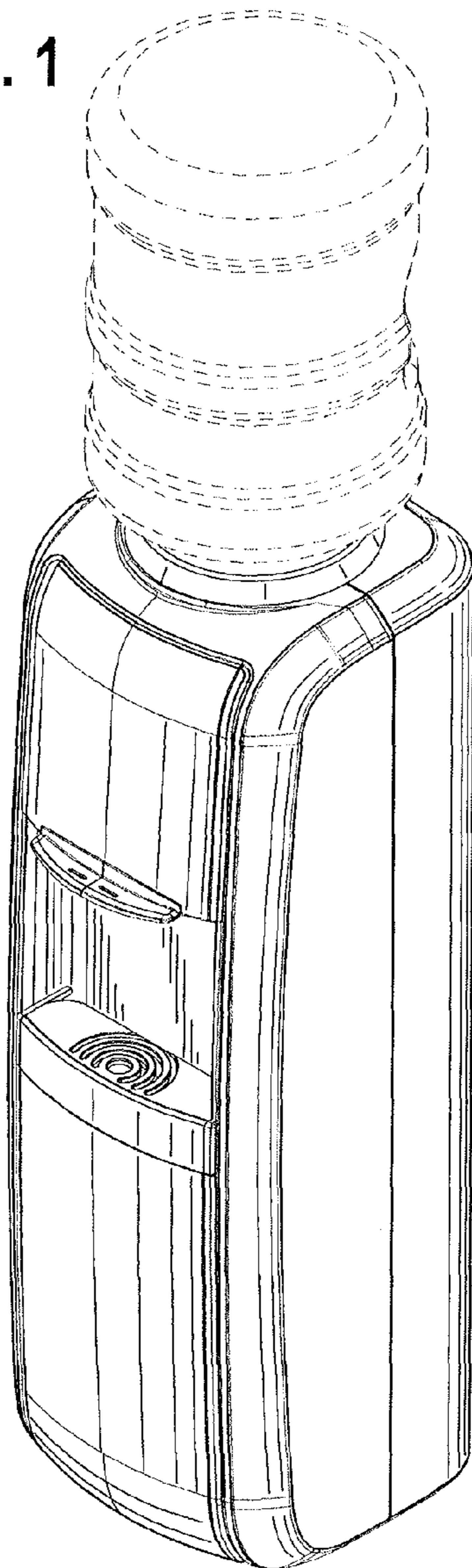


Fig. 2

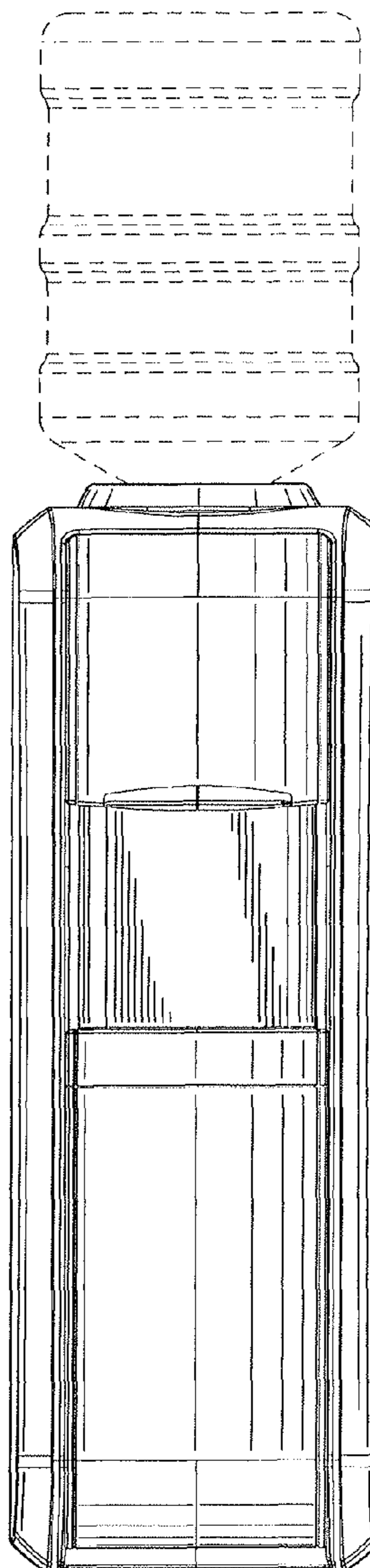


Fig. 3

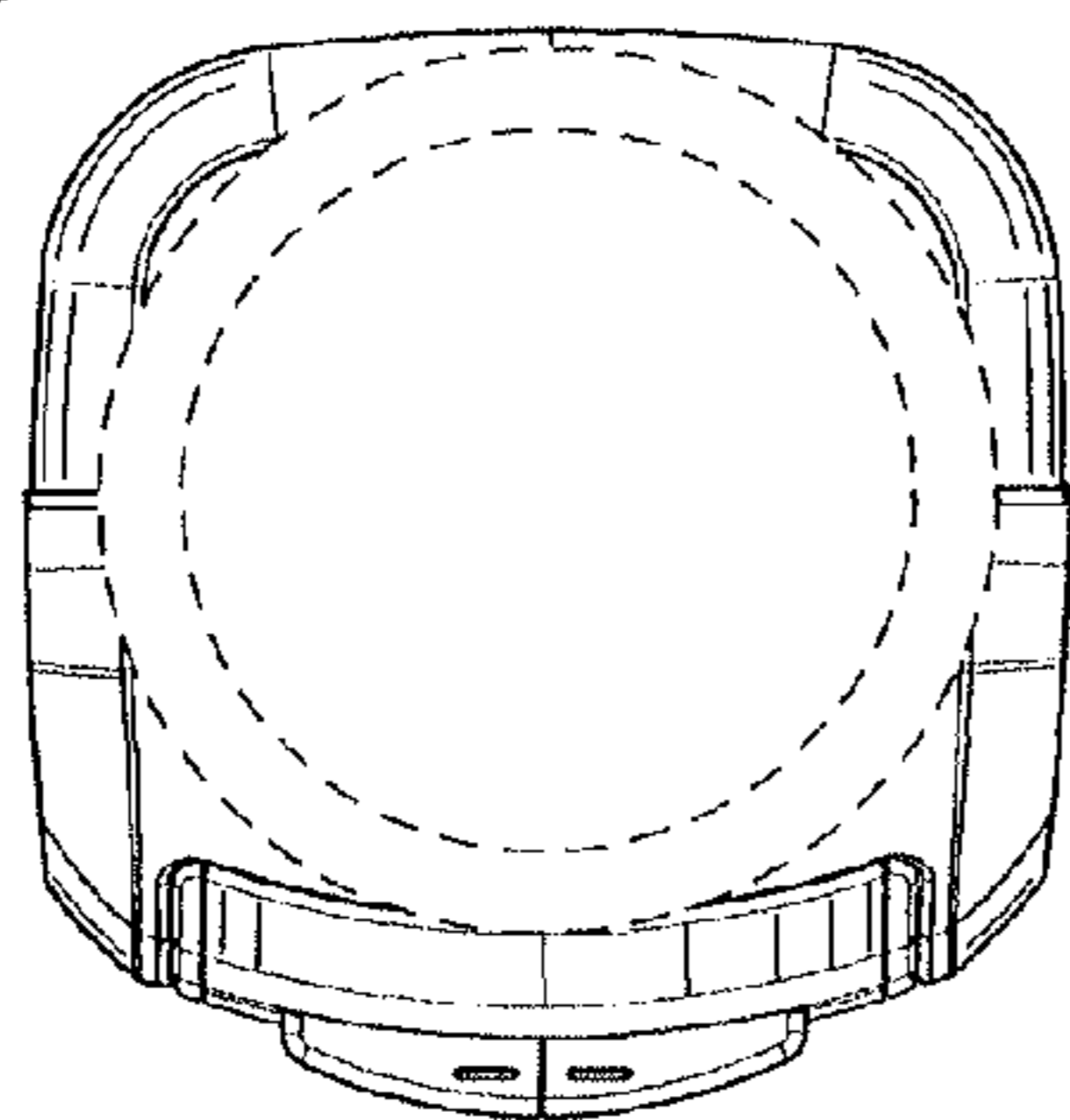


Fig. 4

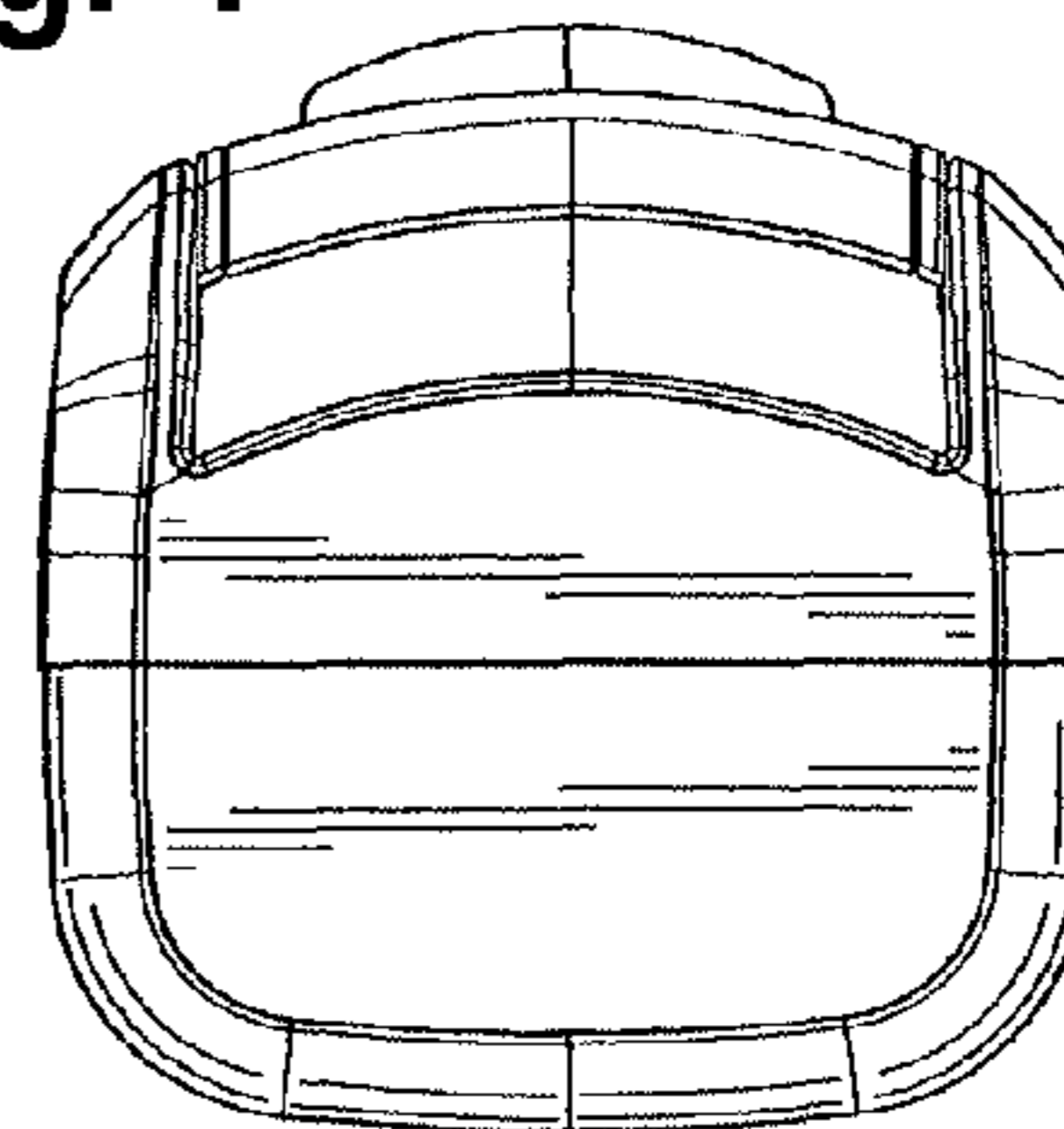


Fig. 5

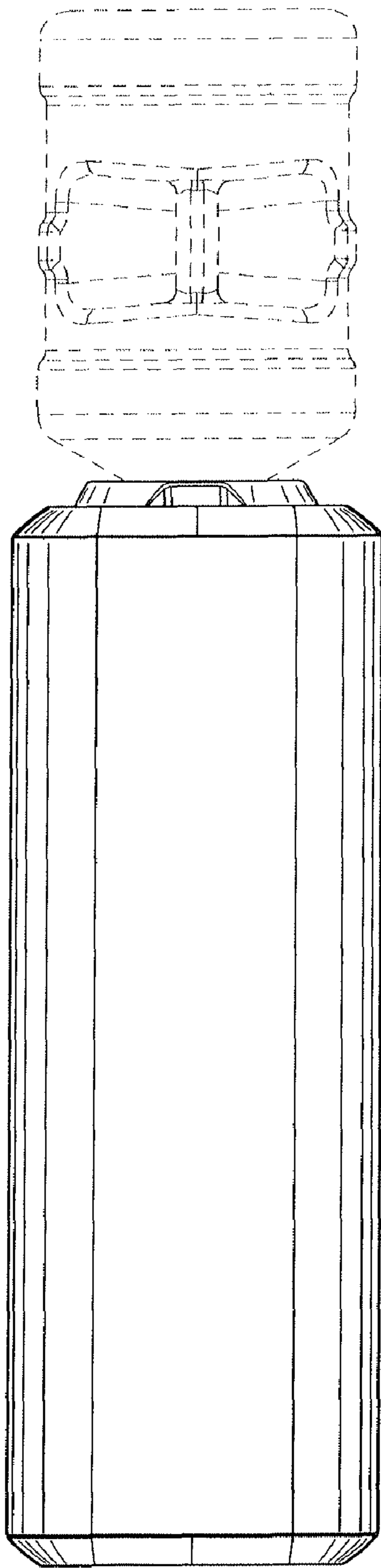


Fig. 6

