



US00D660634S

(12) **United States Design Patent**
Papp et al.

(10) **Patent No.:** **US D660,634 S**

(45) **Date of Patent:** **** May 29, 2012**

(54) **COMBINED BED SHEET WITH ATTACHMENT**

(76) Inventors: **Robert Papp**, Hamilton (CA); **David Sibbald**, Hamilton (CA)

(**) Term: **14 Years**

(21) Appl. No.: **29/363,083**

(22) Filed: **Jun. 4, 2010**

(51) **LOC (9) Cl.** **06-09**

(52) **U.S. Cl.** **D6/596; D6/602**

(58) **Field of Classification Search** D6/582,
D6/595-604, 606; 5/417-420, 482-485,
5/487, 495, 496, 502, 630, 636, 640, 642,
5/655; D21/520; 2/171; 446/227

See application file for complete search history.

(56) **References Cited**

U.S. PATENT DOCUMENTS

5,116,288	A *	5/1992	Kondo et al.	2/171
D359,869	S *	7/1995	Oren	D6/596
D408,192	S *	4/1999	Chiang	D6/596
D427,250	S *	6/2000	Chan	D21/520
D450,516	S *	11/2001	Darling et al.	D6/601
D532,239	S *	11/2006	Oren et al.	D6/596
7,490,379	B2 *	2/2009	Solomon et al.	5/655
2008/0155749	A1 *	7/2008	Stevens	5/496
2009/0017718	A1 *	1/2009	Bryan et al.	446/227
2009/0253342	A1 *	10/2009	Oren et al.	446/227

* cited by examiner

Primary Examiner — Mary Ann Calabrese

(74) *Attorney, Agent, or Firm* — Norton Rose Canada LLP

(57) **CLAIM**

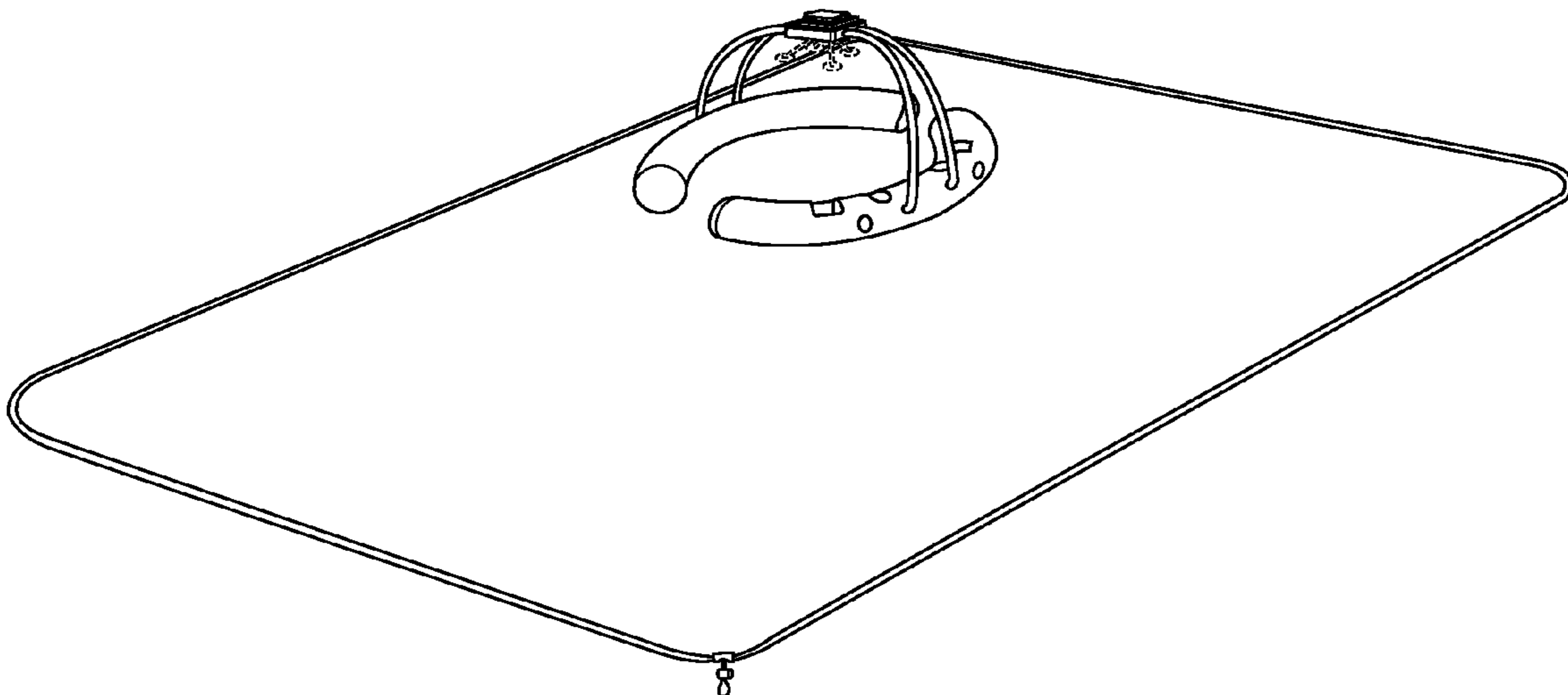
The ornamental design for the combined bed sheet with attachment, as described.

DESCRIPTION

FIG. 1 is a front perspective view of the first embodiment of the combined bed sheet with attachment,
 FIG. 2 is a top plan view of the first embodiment of the combined bed sheet with attachment.
 FIG. 3 is a bottom plan view of the first embodiment of the combined bed sheet with attachment.
 FIG. 4 is a right side view of the first embodiment of the combined bed sheet with attachment.
 FIG. 5 is a left side view of the first embodiment of the combined bed sheet with attachment.
 FIG. 6 is a front plan view of the first embodiment of the combined bed sheet with attachment.
 FIG. 7 is a back plan view of the first embodiment of the combined bed sheet with attachment.
 FIG. 8 is a front perspective view of the second embodiment of the combined bed sheet with attachment.
 FIG. 9 is a top plan view of the second embodiment of the combined bed sheet with attachment.
 FIG. 10 is a bottom plan view of the second embodiment of the combined bed sheet with attachment.
 FIG. 11 is a right side view of the second embodiment of the combined bed sheet with attachment.
 FIG. 12 is a left side view of the second embodiment of the combined bed sheet with attachment; and,
 FIG. 13 is a front plan view of the second embodiment of the combined bed sheet with attachment.

The portions shown in stippled lines are for illustrative purposes only and do not form part of the design.

1 Claim, 13 Drawing Sheets



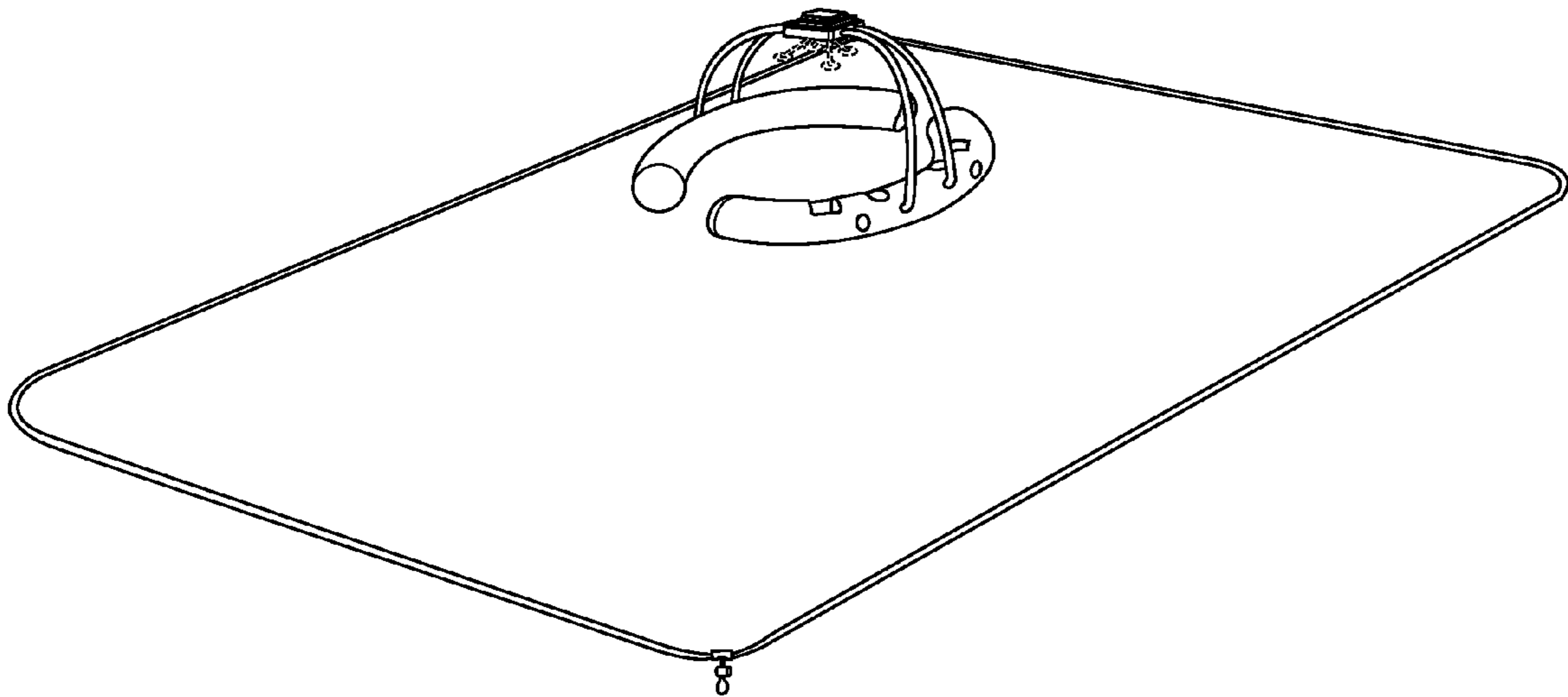


FIG. 1

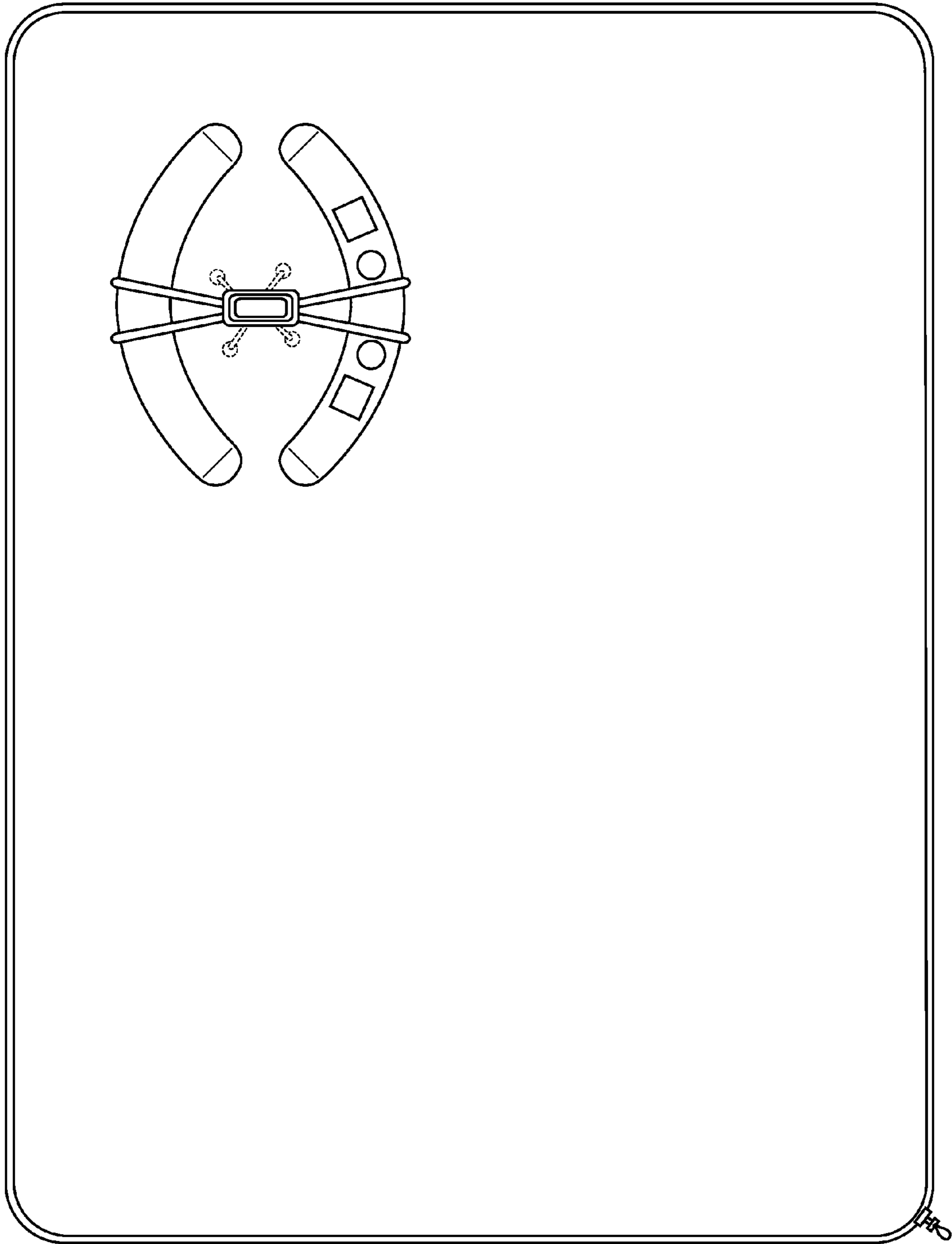


FIG. 2

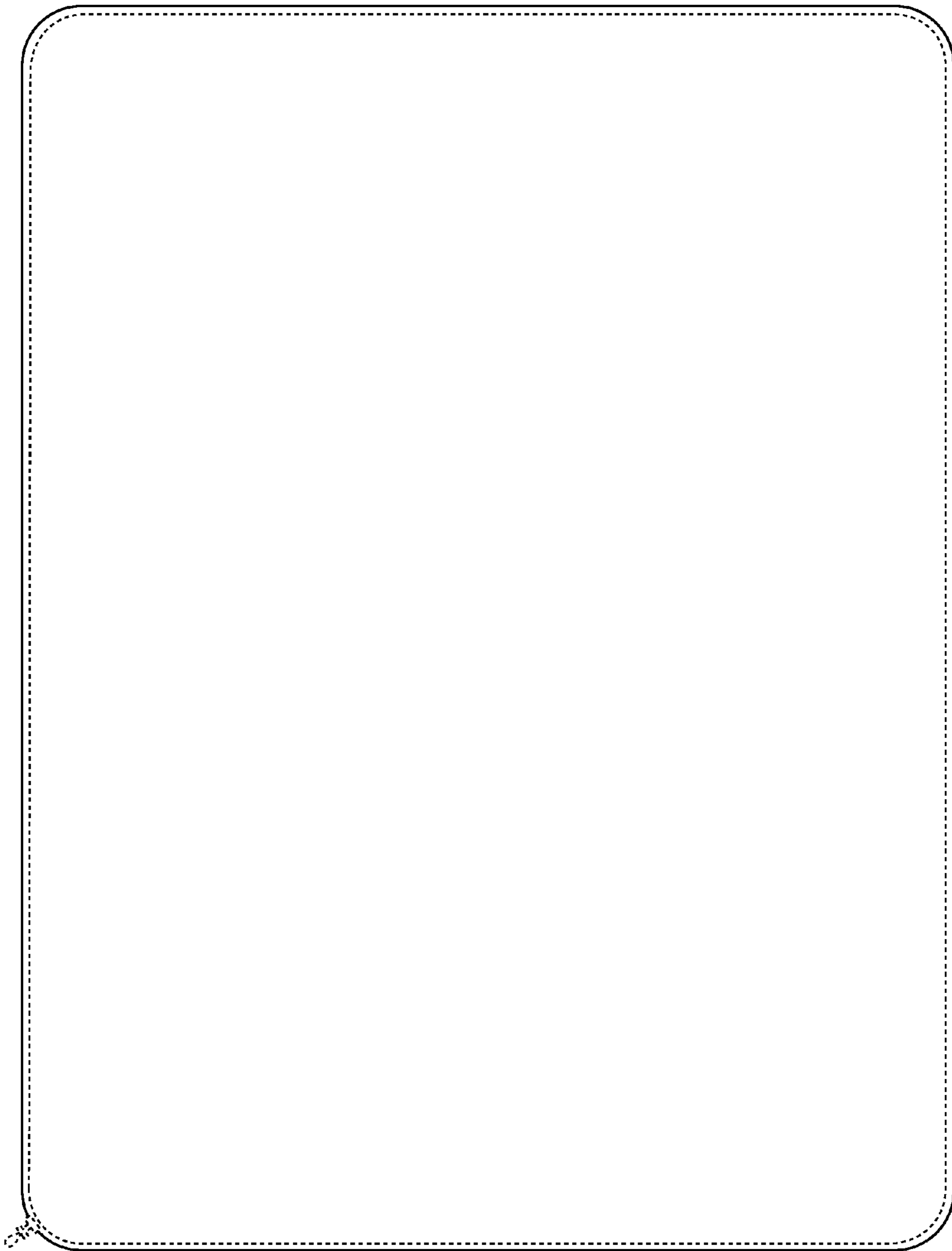


FIG. 3

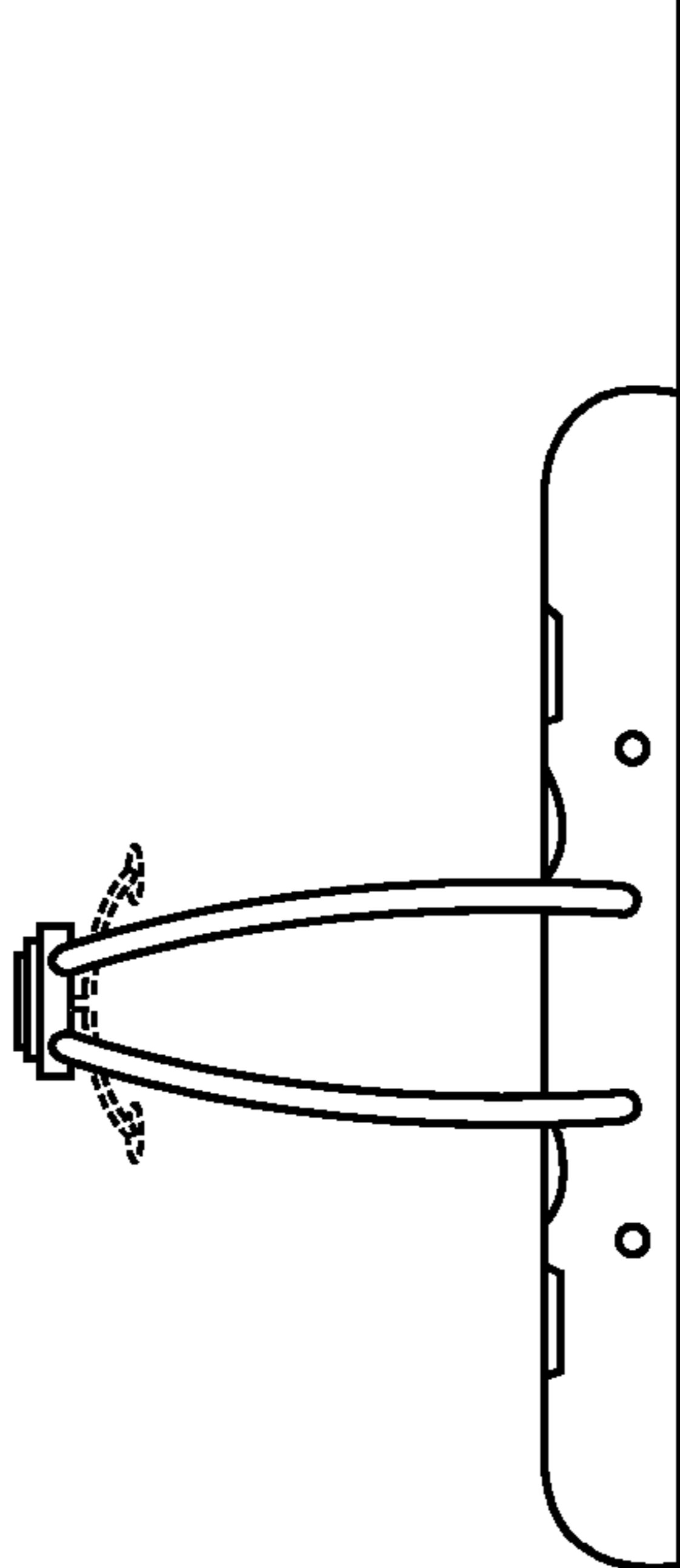


FIG. 4

FIG

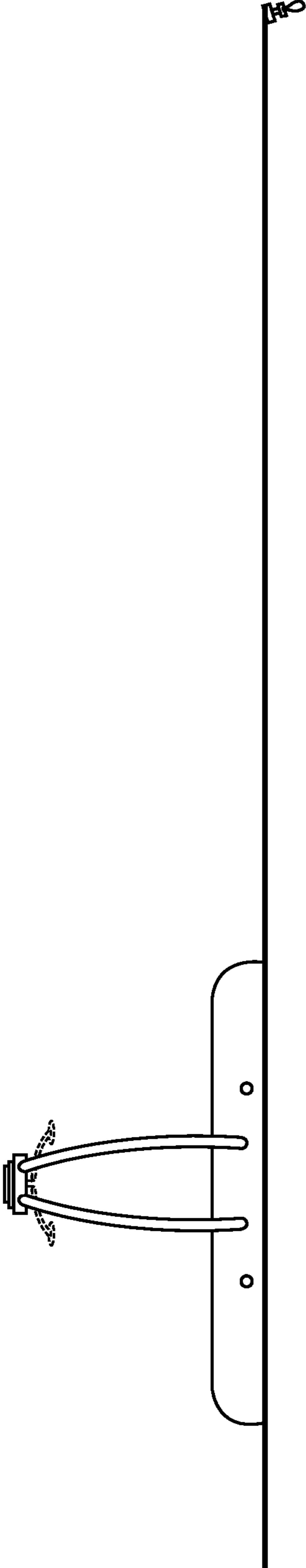


FIG. 5

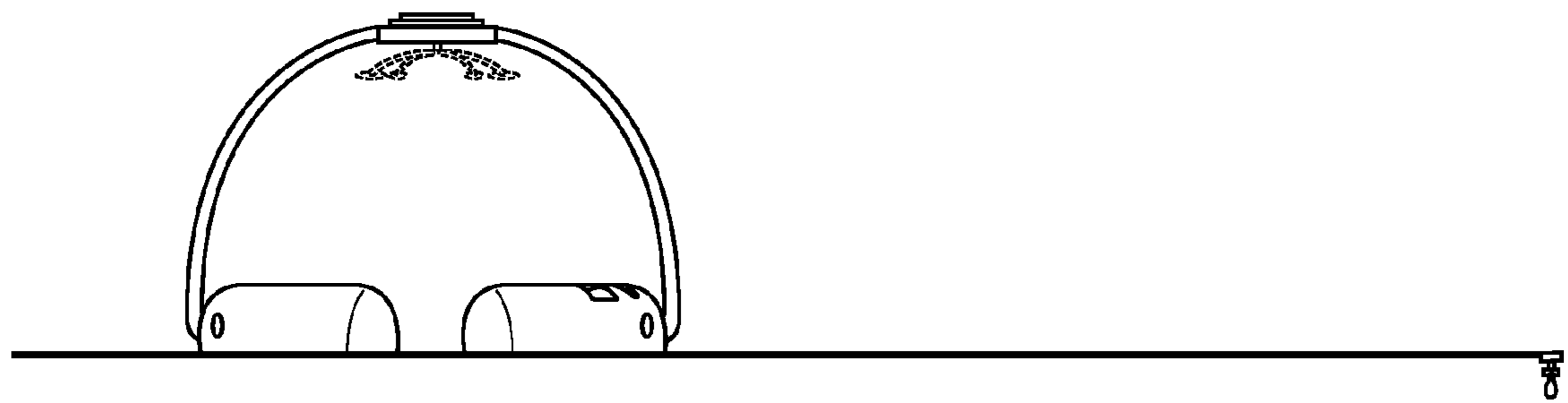


FIG. 6

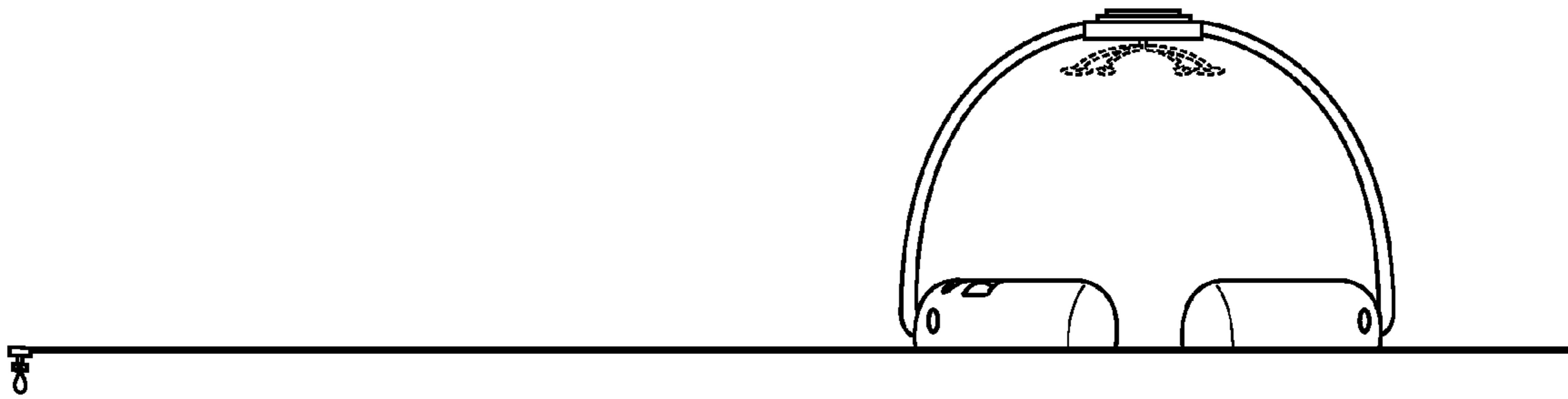


FIG. 7

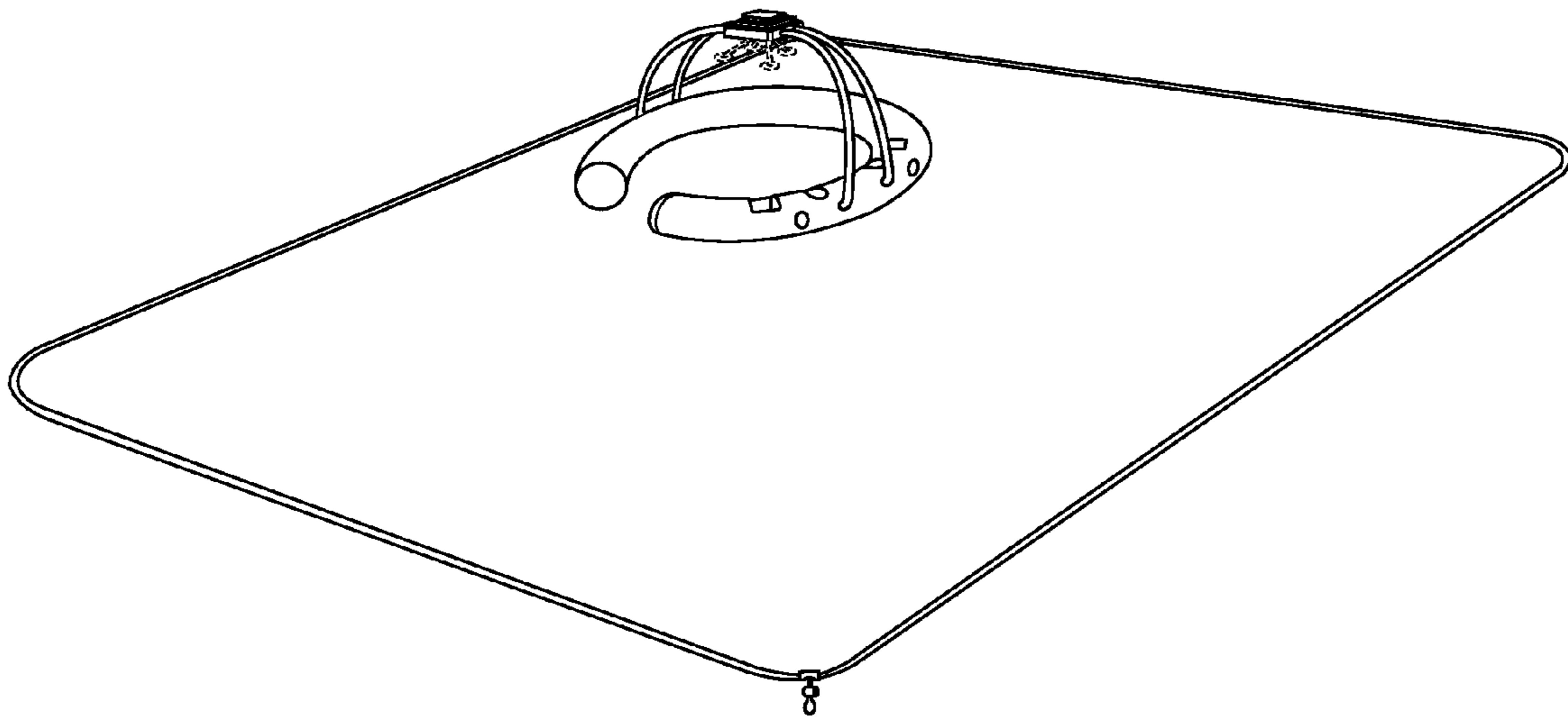


FIG. 8

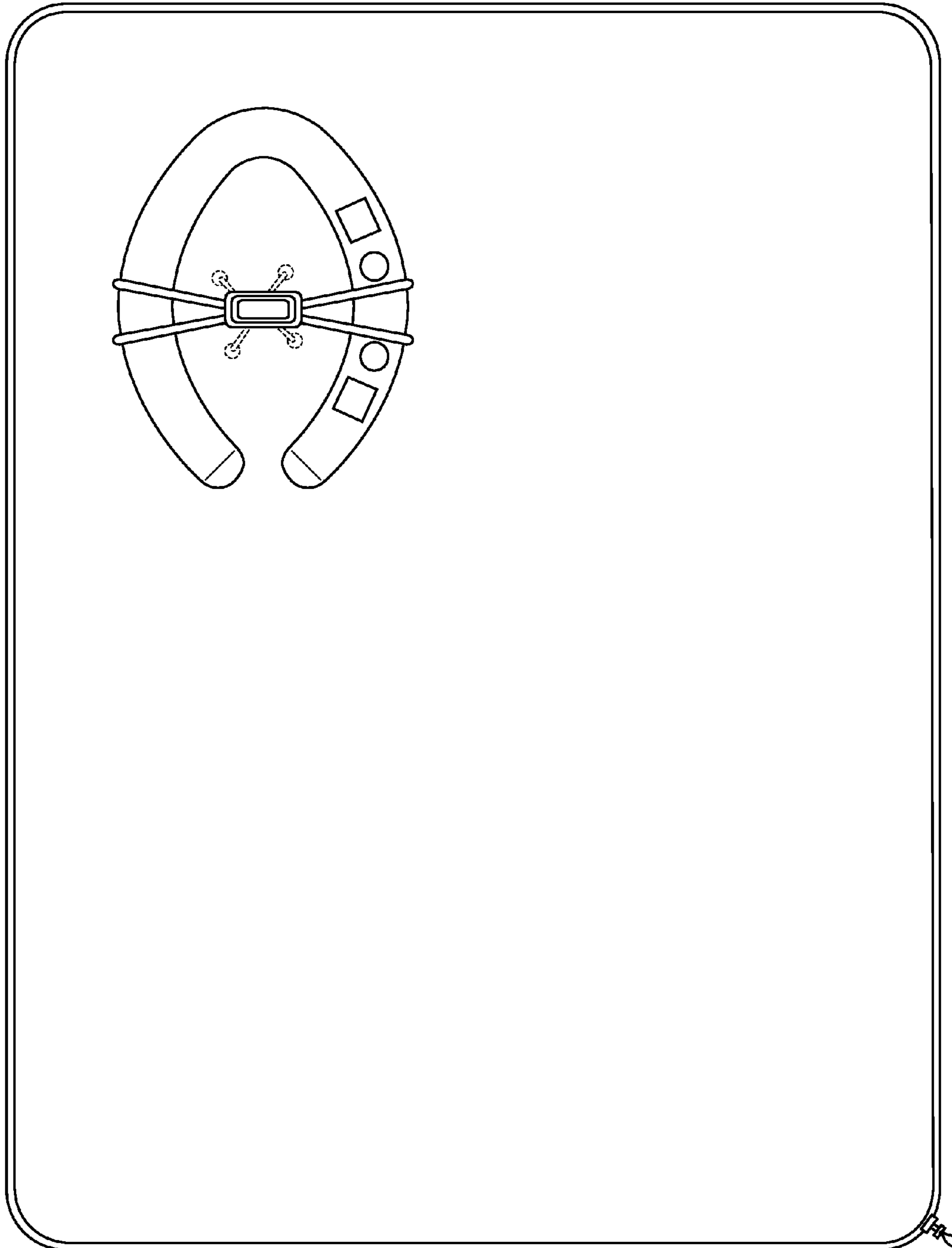


FIG. 9

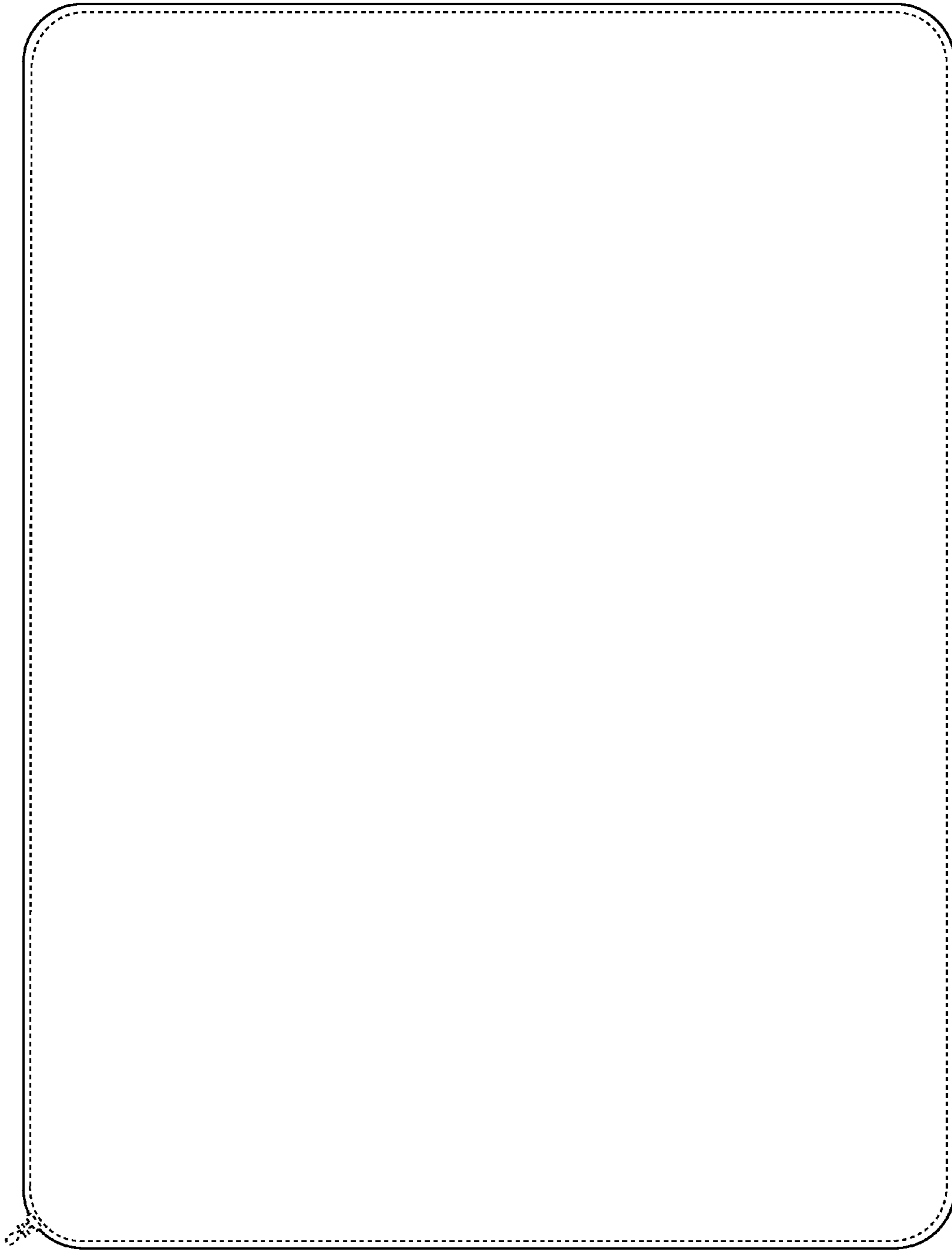


FIG. 10

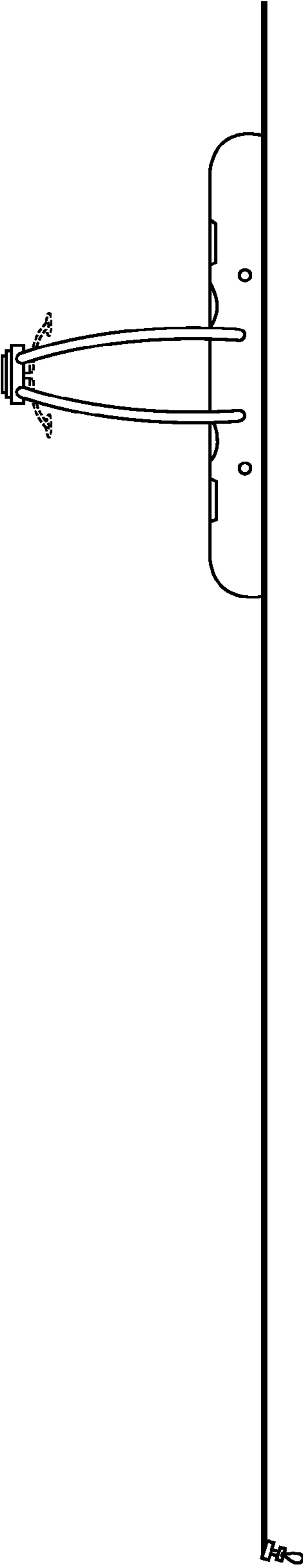


FIG. 11



FIG. 12

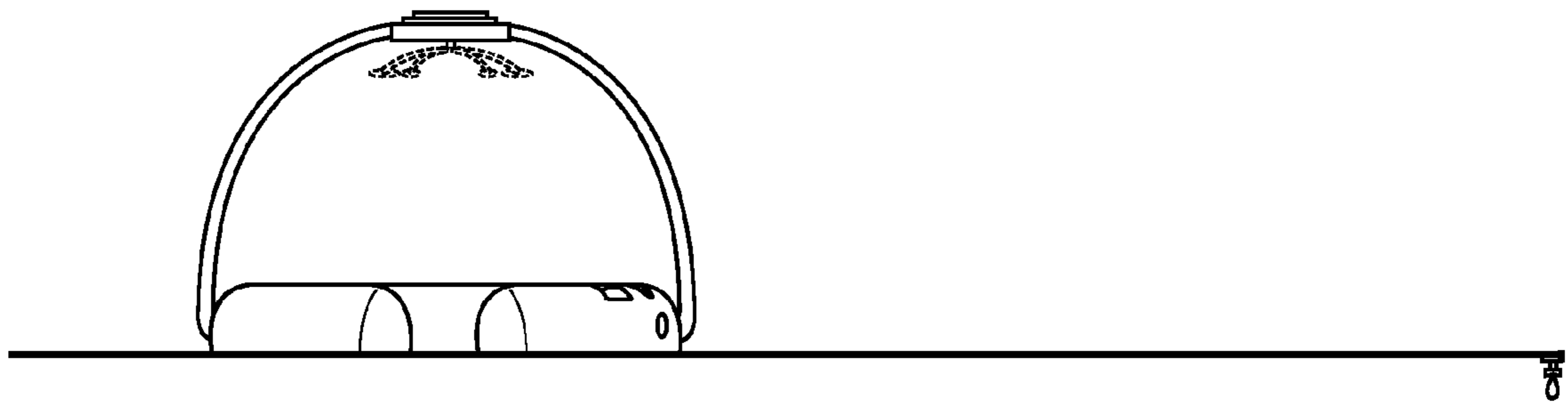


FIG. 13