



US00D660633S

(12) **United States Design Patent**  
**Estrup**

(10) **Patent No.:** **US D660,633 S**

(45) **Date of Patent:** **\*\* May 29, 2012**

(54) **CHILD BATH TRAY**

(75) Inventor: **Niels Peter Estrup**, Hinnerup (DK)

(73) Assignee: **Flexi Bath ApS**, Aarbus C (DK)

(\*\*) Term: **14 Years**

(21) Appl. No.: **29/386,431**

(22) Filed: **Mar. 1, 2011**

(51) **LOC (9) Cl.** ..... **06-04**

(52) **U.S. Cl.** ..... **D6/574**

(58) **Field of Classification Search** ..... D6/553,  
D6/540, 567, 574; D3/201, 304, 315, 901;  
211/13.1, 85.1, 82.12, 70.6, 86.01, 87.01,  
211/119.009, 126.1; 206/77.1, 5, 207, 349,  
206/361, 363.812

See application file for complete search history.

(56) **References Cited**

**U.S. PATENT DOCUMENTS**

D419,808 S \* 2/2000 Hampshire ..... D6/553  
D532,235 S \* 11/2006 Snell ..... D6/567  
D534,024 S \* 12/2006 Dretzka ..... D6/567

D579,255 S \* 10/2008 Thompson et al. .... D6/574  
D587,947 S \* 3/2009 Valiulis et al. .... D6/553  
D642,841 S \* 8/2011 Dretzka ..... D6/553

\* cited by examiner

*Primary Examiner* — Brian N Vinson

(74) *Attorney, Agent, or Firm* — Day Pitney LLP

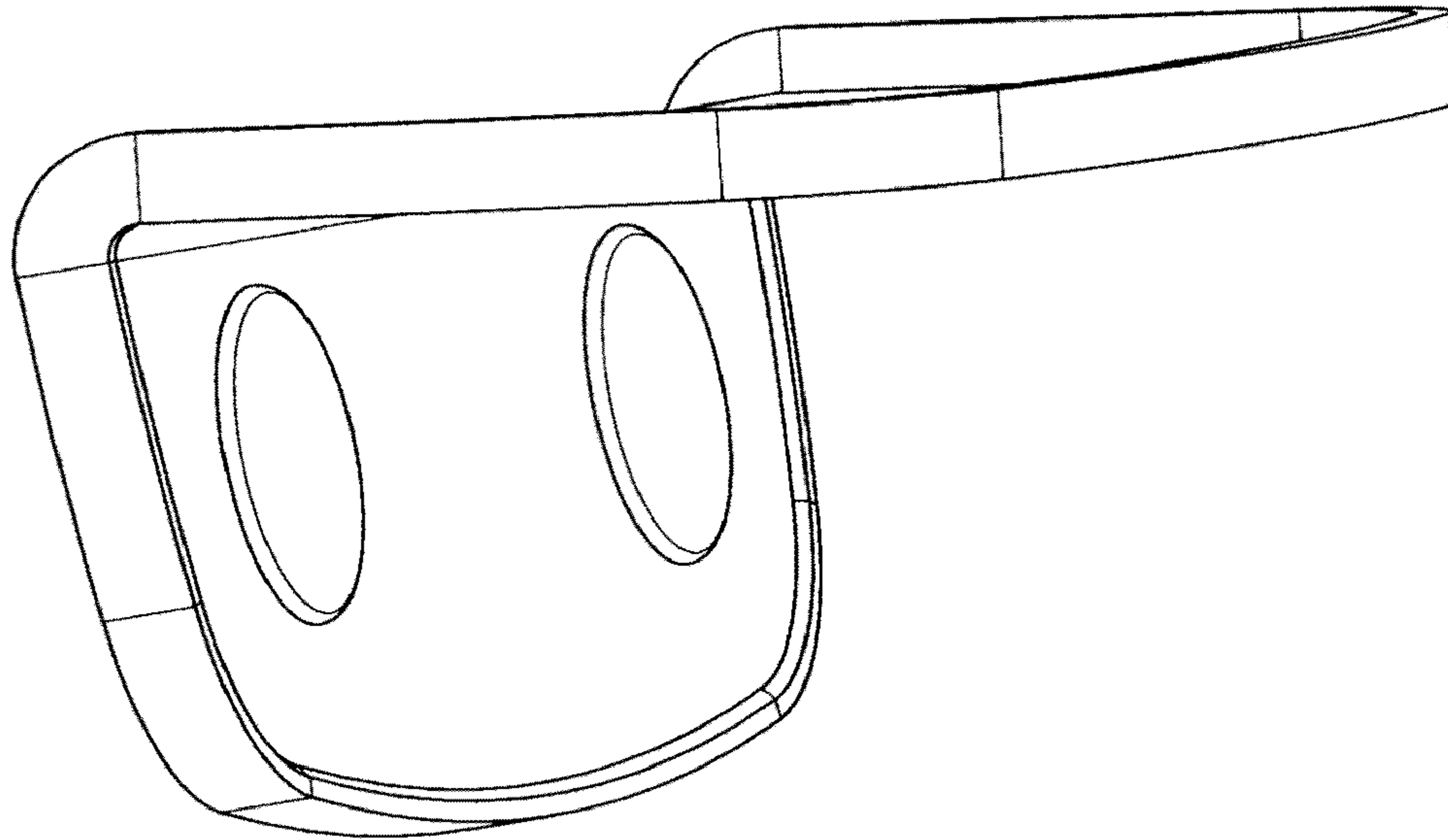
(57) **CLAIM**

The ornamental design for a child bath tray, as shown and described.

**DESCRIPTION**

FIG. 1 is a top plan view of the child bath tray of my ornamental design;  
FIG. 2 is a right side view thereof;  
FIG. 3 is a front view thereof;  
FIG. 4 is a left side view thereof;  
FIG. 5 is a rear view thereof;  
FIG. 6 is a top plan view thereof;  
FIG. 7 is a top perspective view thereof; and,  
FIG. 8 is another top front perspective view depicting more of the tray.

**1 Claim, 2 Drawing Sheets**



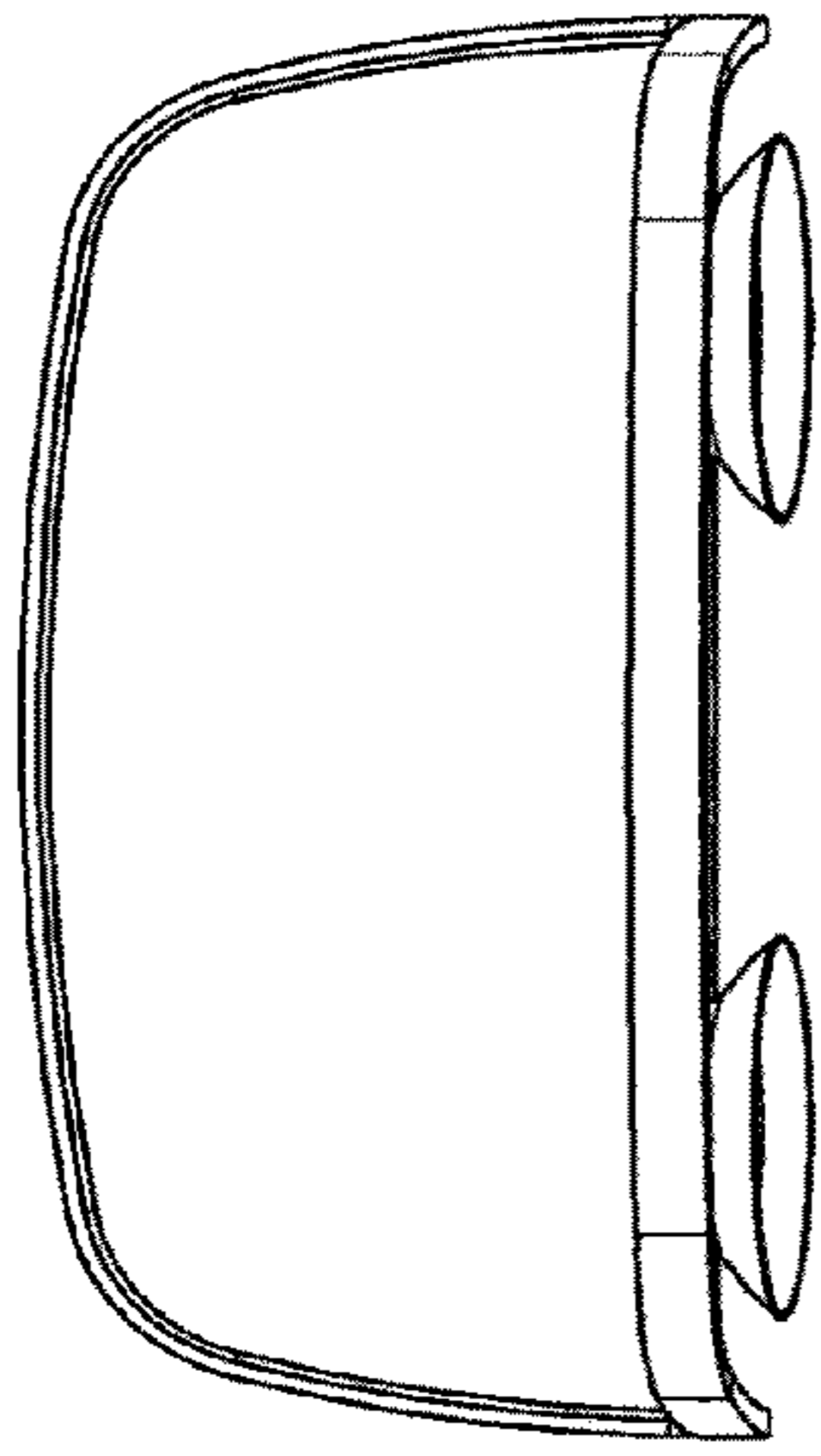


FIG. 1

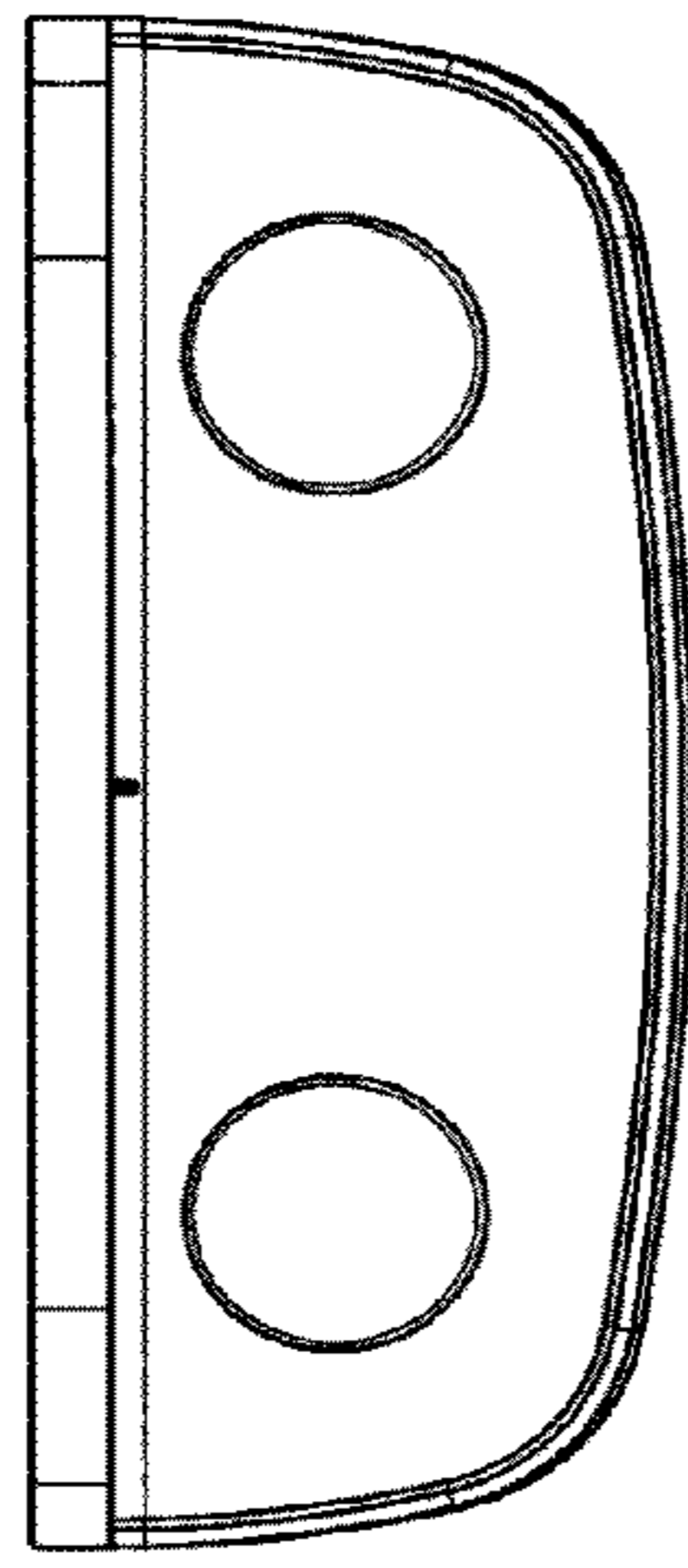


FIG. 3

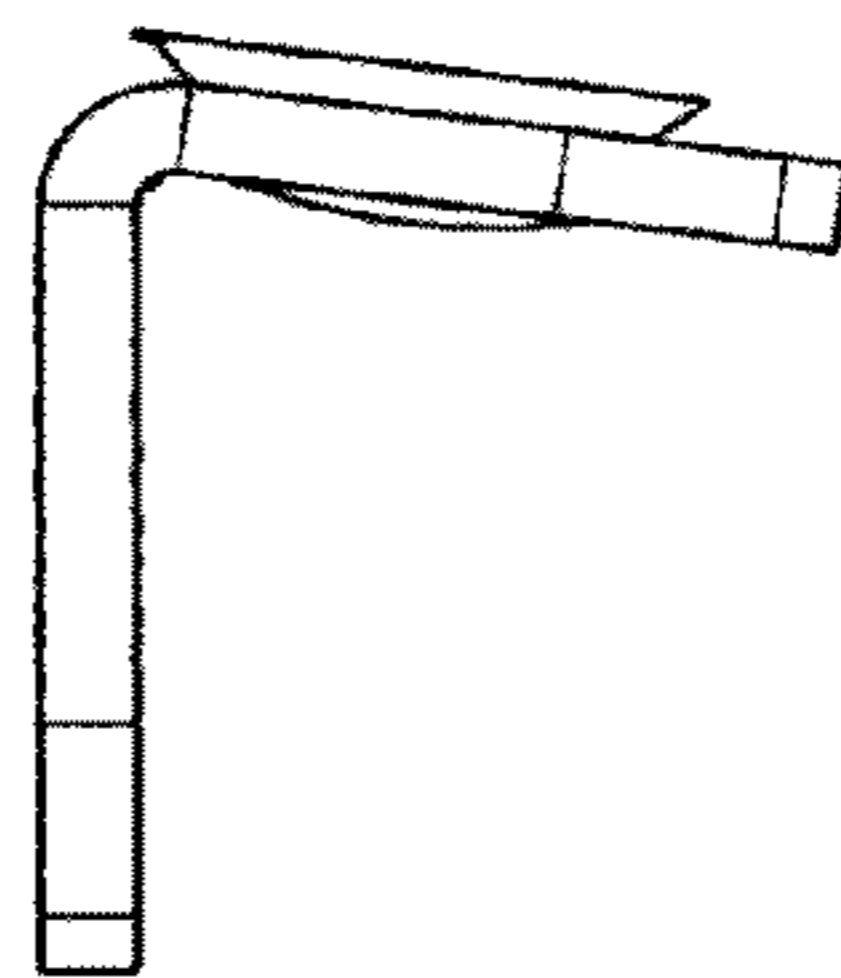


FIG. 2

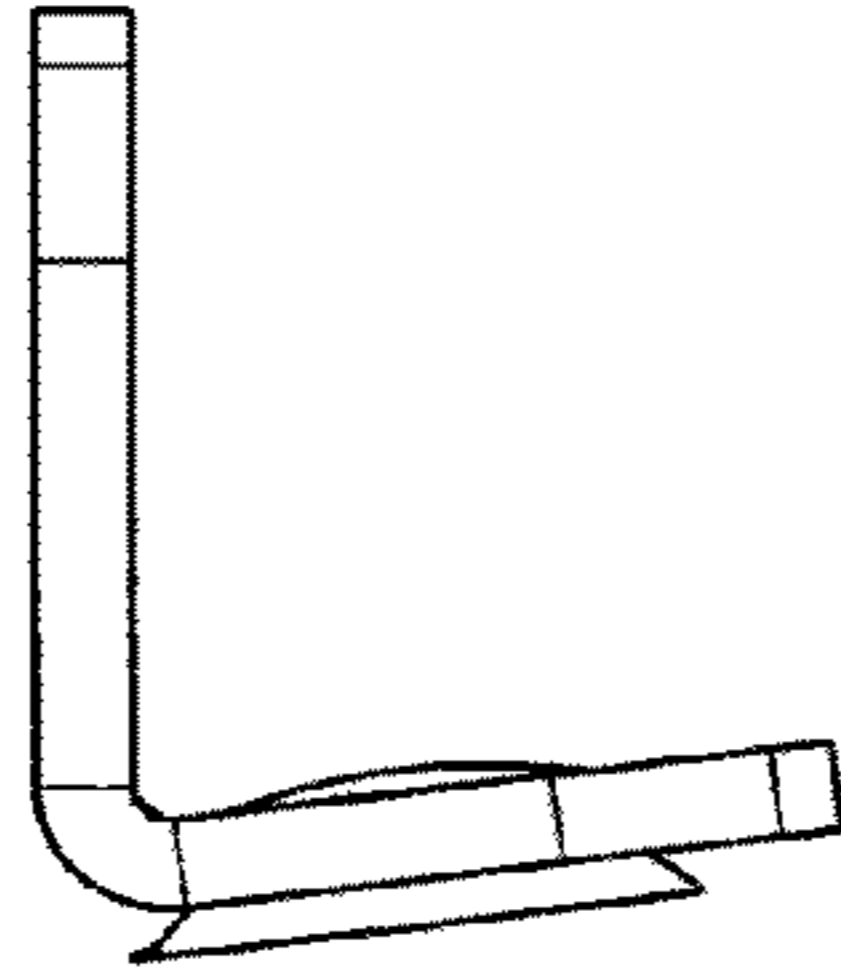


FIG. 4

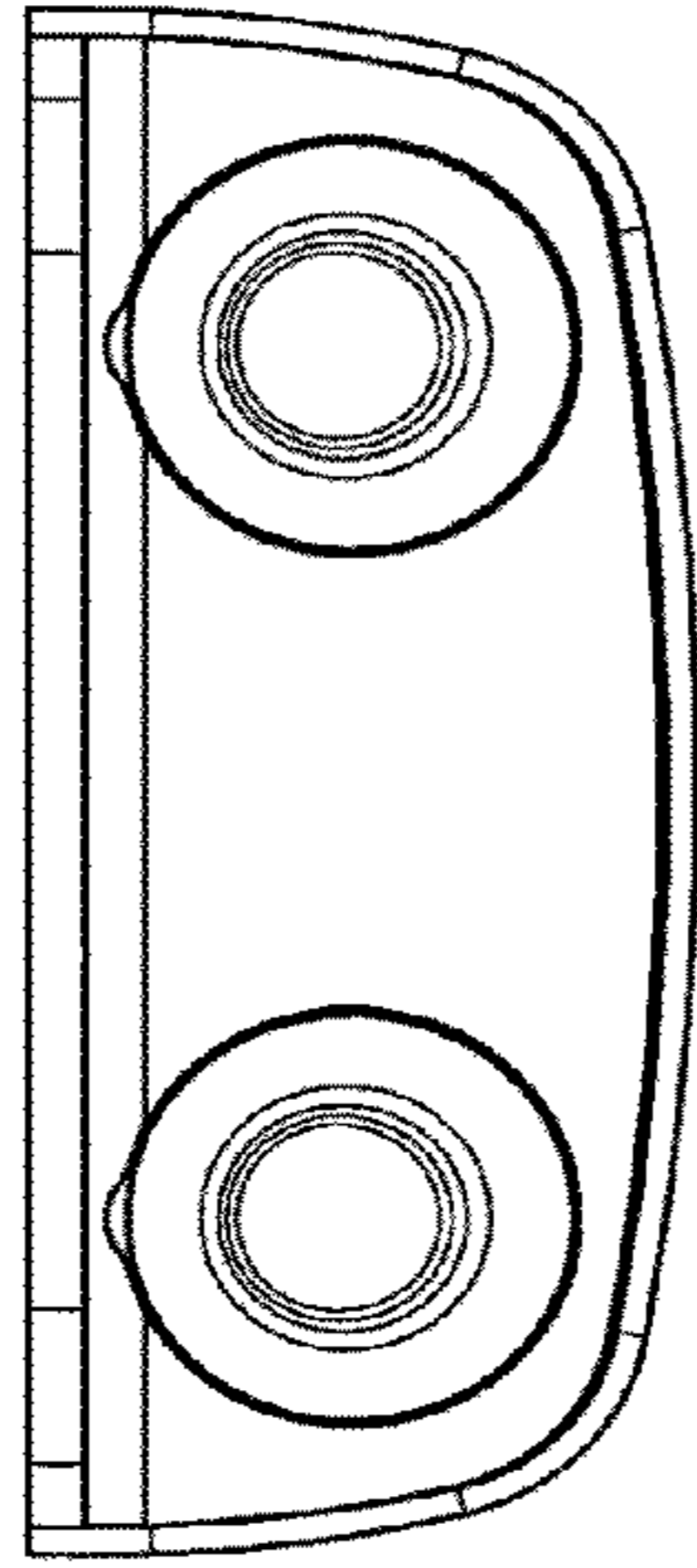


FIG. 5

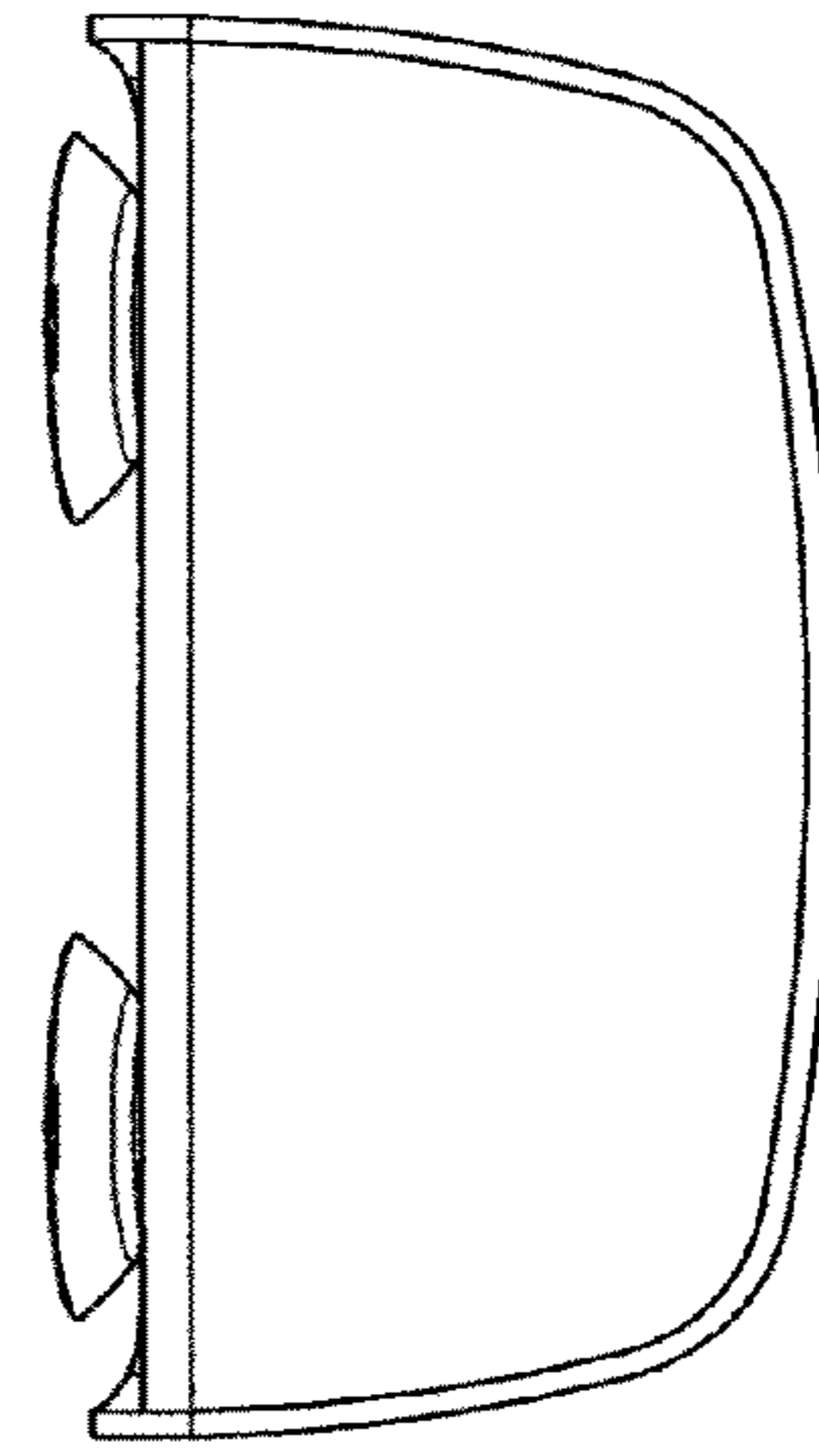


FIG. 6

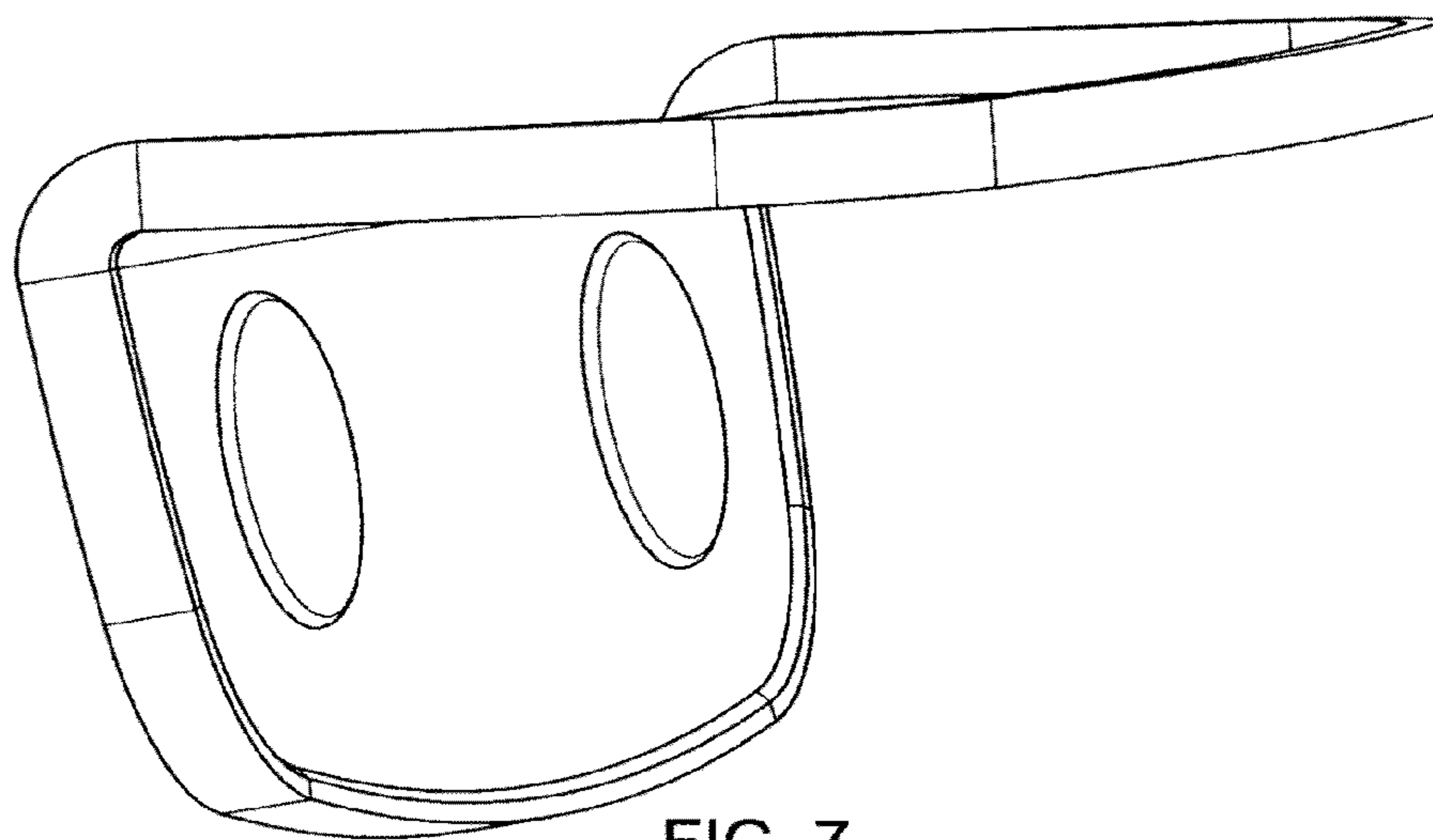


FIG. 7

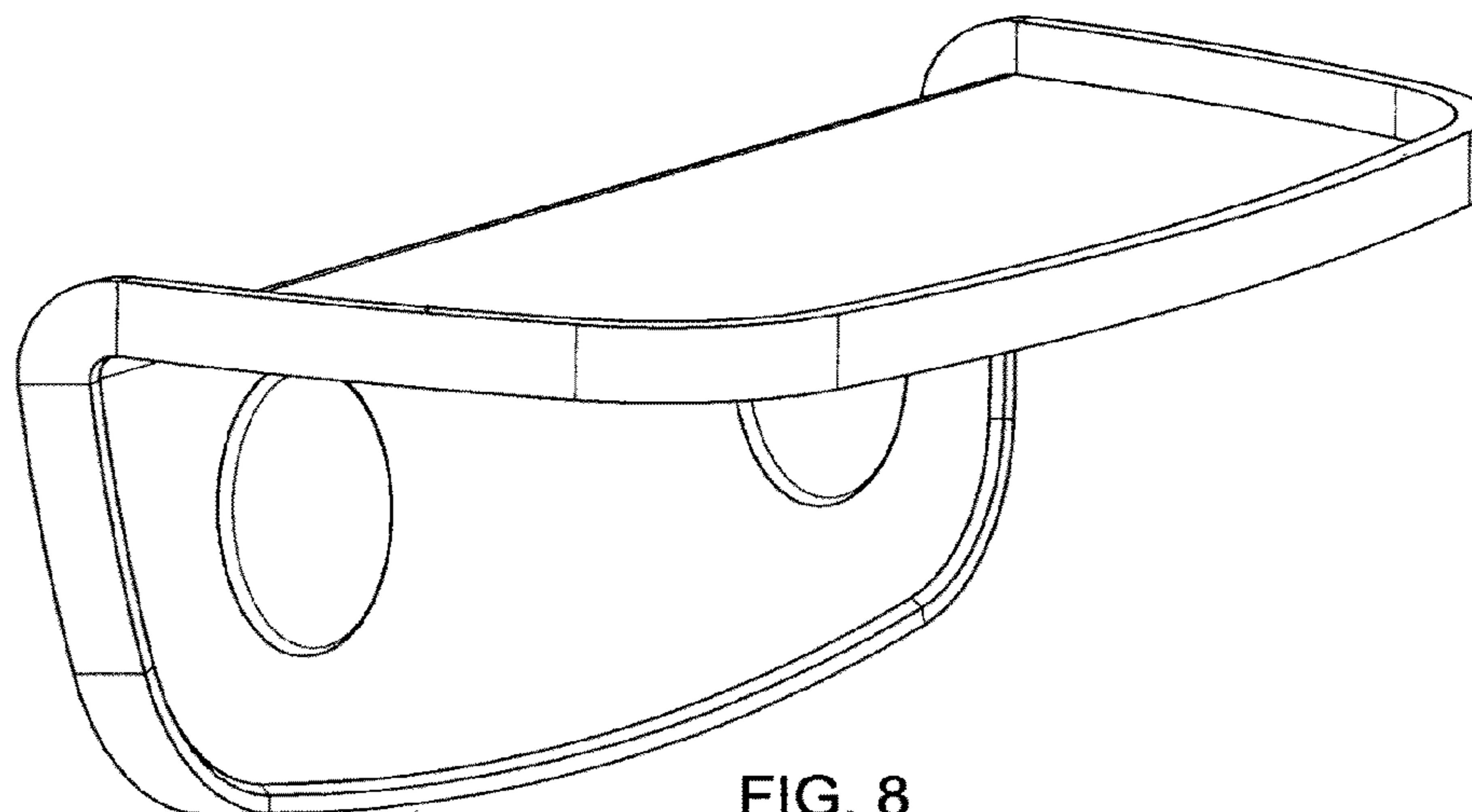


FIG. 8