



US00D660632S

(12) **United States Design Patent**
Kearns, III et al.

(10) **Patent No.:** **US D660,632 S**

(45) **Date of Patent:** **** May 29, 2012**

(54) **DISPLAY ENCLOSURE FOR EYEWEAR**

(75) Inventors: **Robert E. Kearns, III**, West Bend, WI (US); **Witold Nowak**, Harwood Heights, IL (US)

(73) Assignee: **Rapid Displays, Inc.**, Chicago, IL (US)

(**) Term: **14 Years**

(21) Appl. No.: **29/387,104**

(22) Filed: **Mar. 9, 2011**

(51) **LOC (9) Cl.** **23-02**

(52) **U.S. Cl.** **D6/553**

(58) **Field of Classification Search** D6/512,
D6/553; D20/10, 19, 29, 42, 99; D9/600,
D9/499; D8/349; D16/100, 330, 130; 211/13.1,
211/85.1; 351/118; 248/309.1

See application file for complete search history.

(56) **References Cited**

U.S. PATENT DOCUMENTS

993,404	A *	5/1911	Price	211/85.1
4,715,575	A *	12/1987	Kamerer	248/309.1
5,056,668	A *	10/1991	Berger	211/85.1
5,101,986	A *	4/1992	Holztrager	211/85.1
D425,537	S *	5/2000	Lavy	D16/221
6,364,124	B1 *	4/2002	Chen	211/4
D478,935	S *	8/2003	Gearhart et al.	D20/10

D509,544	S *	9/2005	Nickels	D20/99
7,270,241	B2 *	9/2007	Nobili	211/85.1
D647,143	S *	10/2011	Yi et al.	D20/42

* cited by examiner

Primary Examiner — Brian N Vinson

(74) *Attorney, Agent, or Firm* — R. Blake Johnston, Esq.;
DLA Piper US LLP

(57) **CLAIM**

The ornamental design for a display enclosure for eyewear, as shown and described.

DESCRIPTION

FIG. 1 is a perspective view of a first embodiment of a display enclosure for eyewear showing our new design;

FIG. 2 is a front elevational view thereof;

FIG. 3 is a rear elevational view thereof;

FIG. 4 is a leftside elevational view thereof;

FIG. 5 is a right side elevational view thereof;

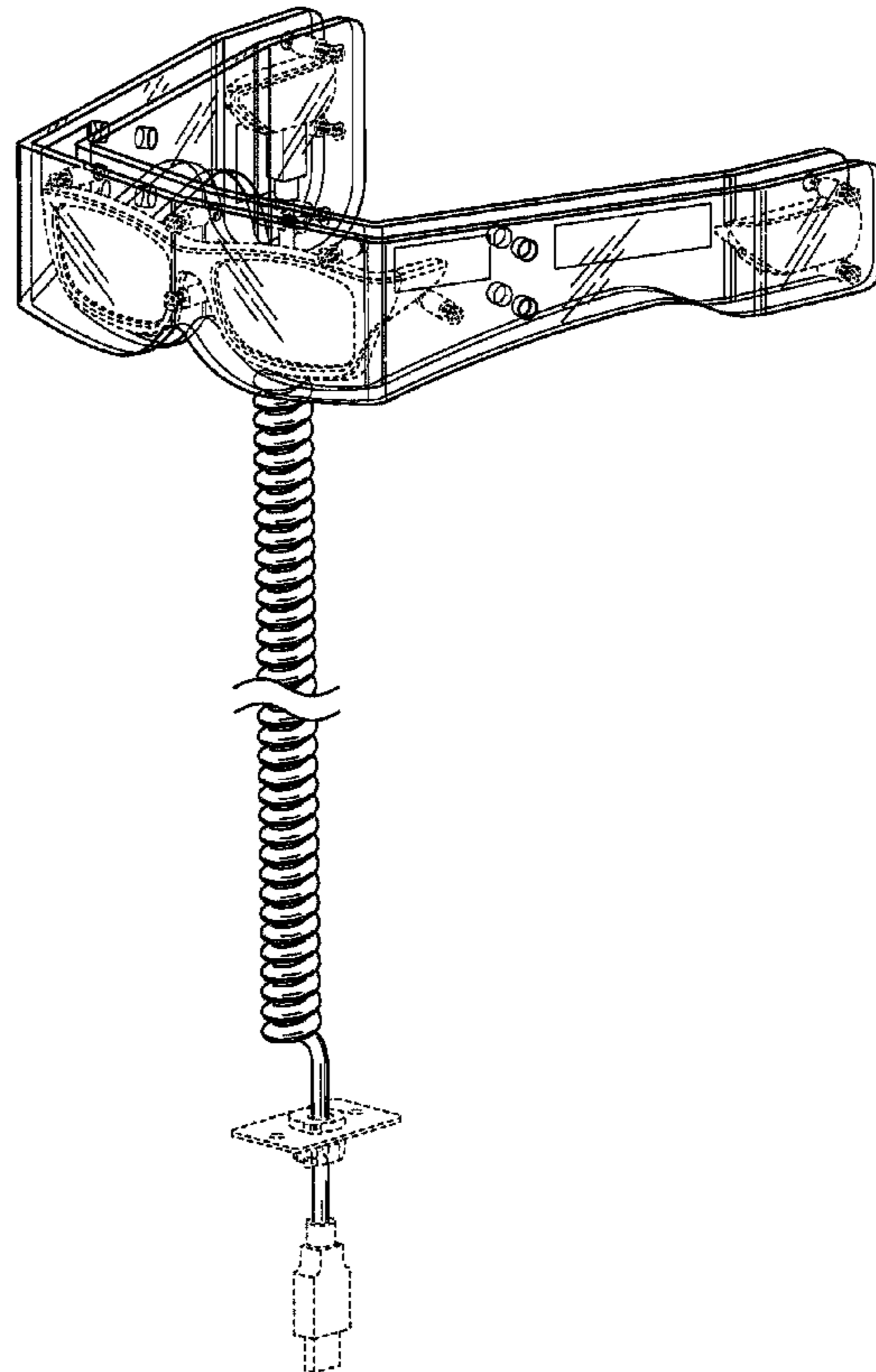
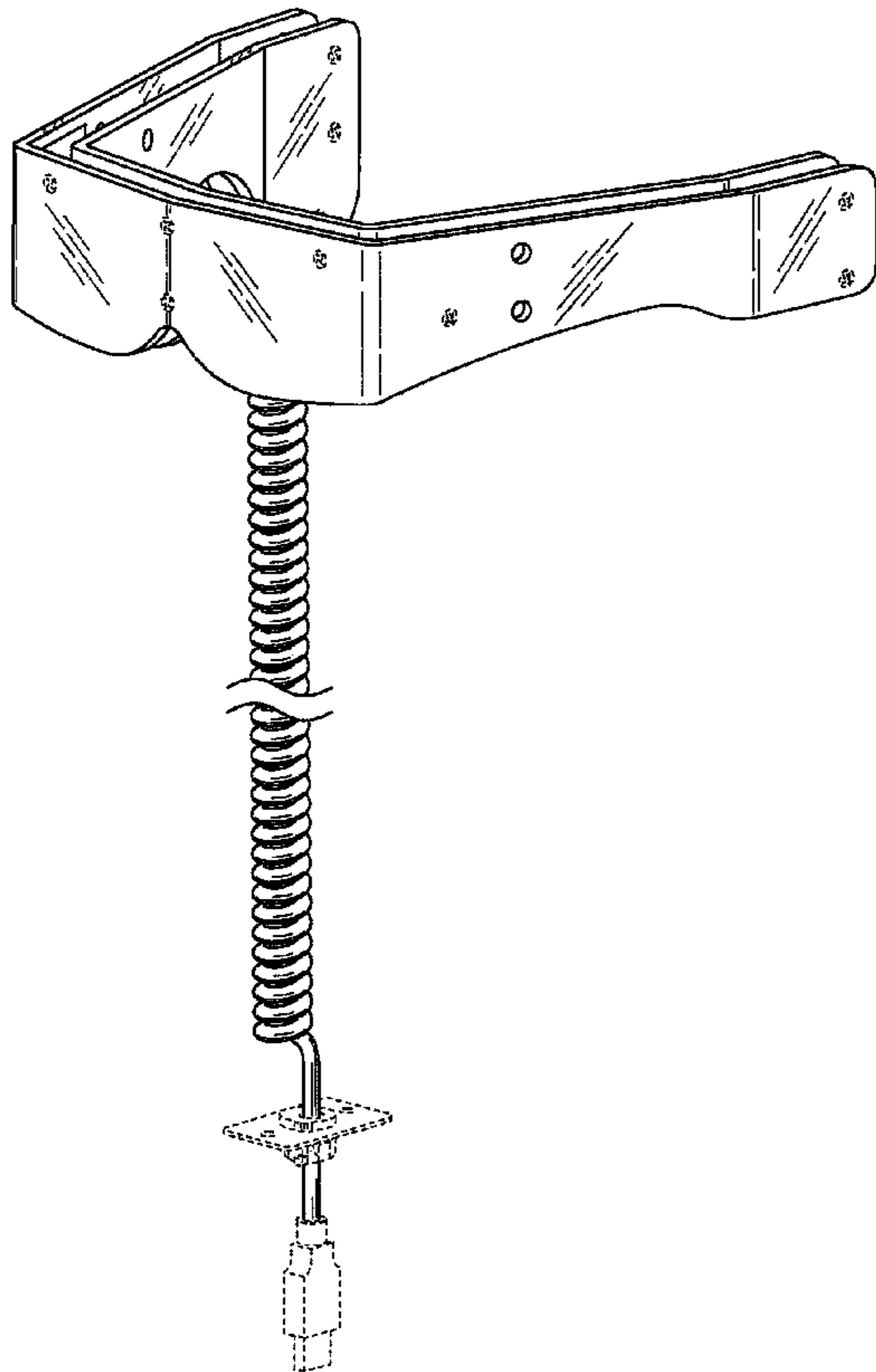
FIG. 6 is a top plan view thereof;

FIG. 7 is a bottom plan view thereof; and,

FIG. 8 is a perspective view of a second embodiment thereof.

The broken line disclosure is understood to represent both portions of the article in which the claimed design is embodied and environmental elements, neither of which form any portion of the claimed design, and the element shown broken-away is understood to indicate an unclaimed length.

1 Claim, 8 Drawing Sheets



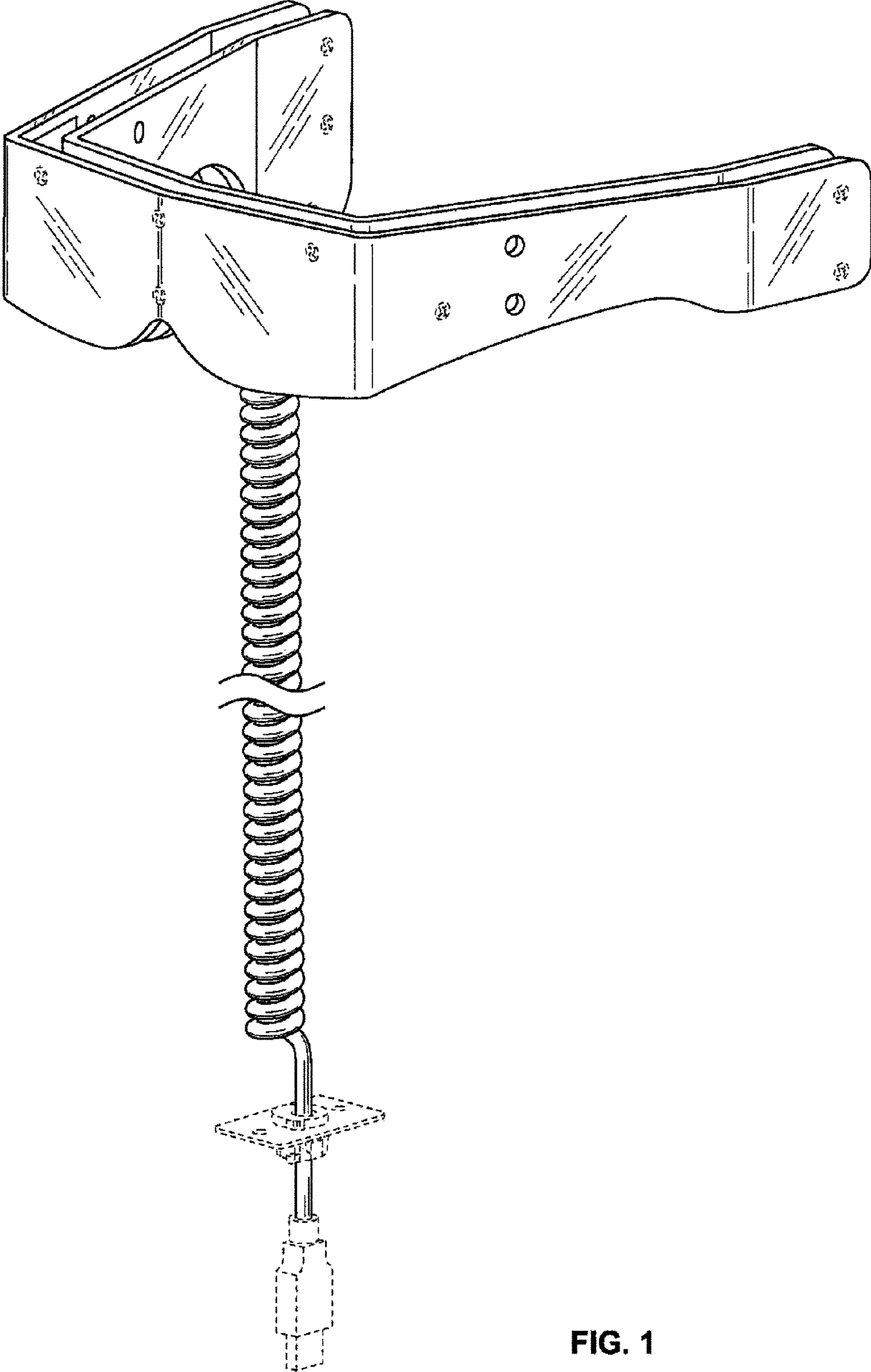


FIG. 1

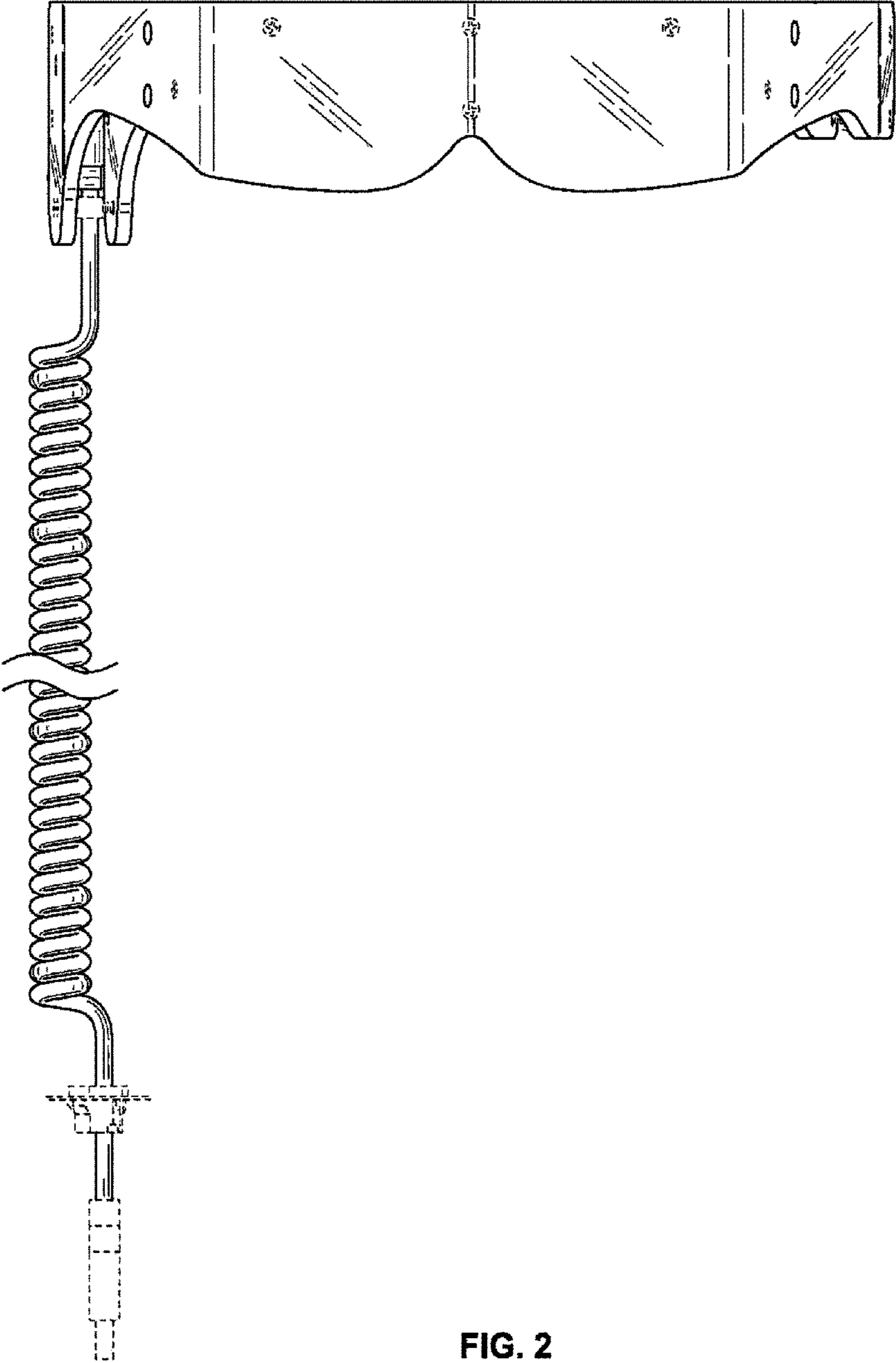


FIG. 2

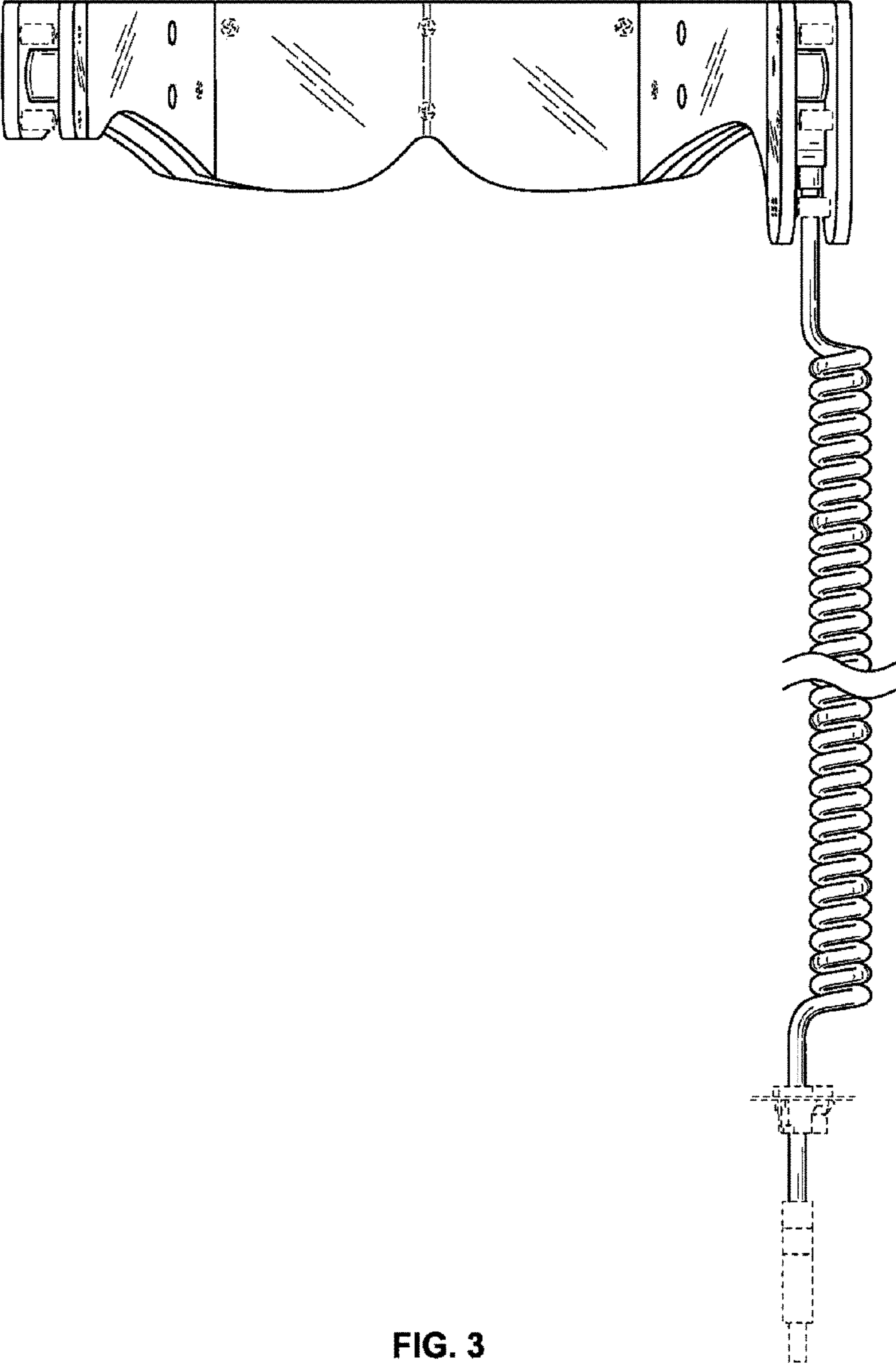


FIG. 3

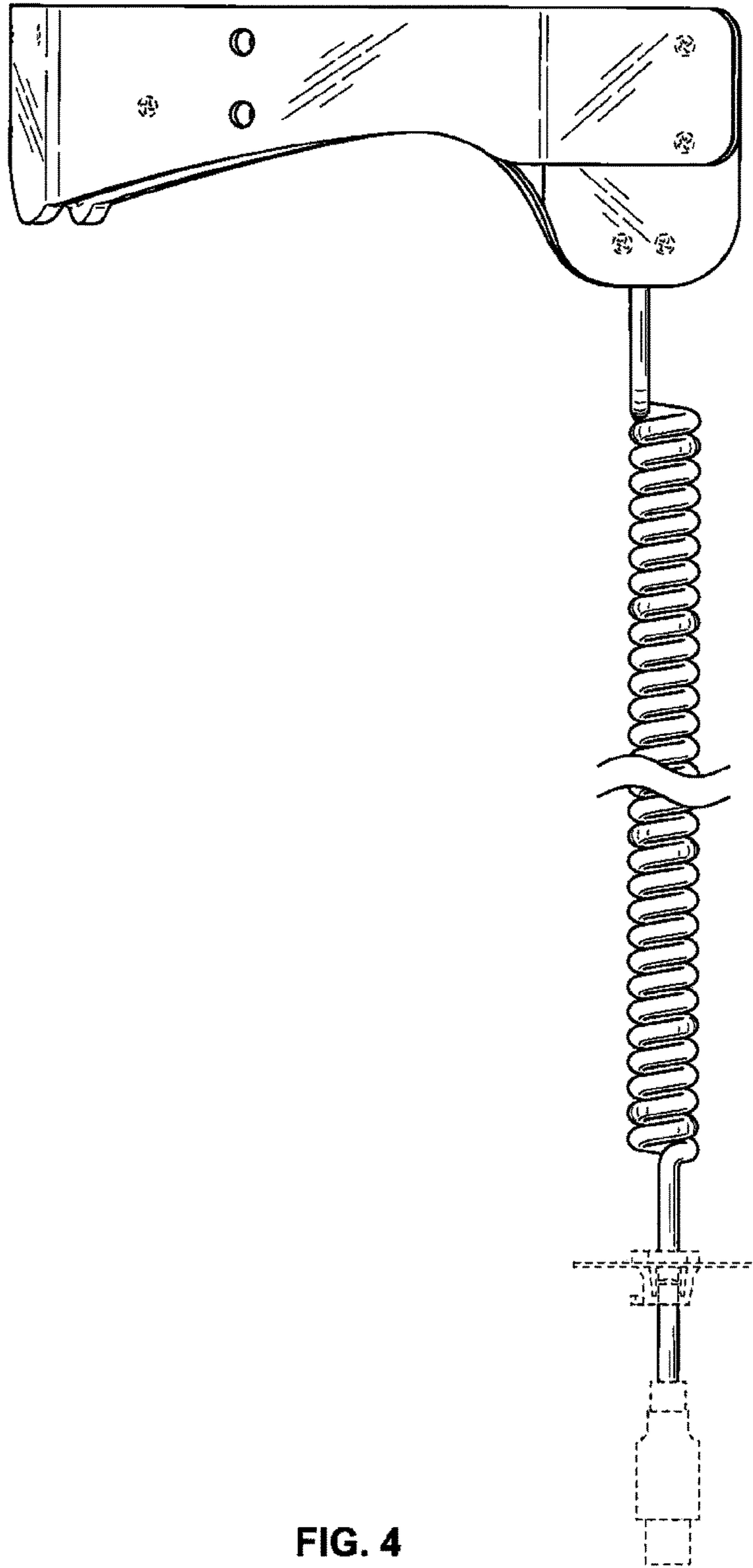


FIG. 4

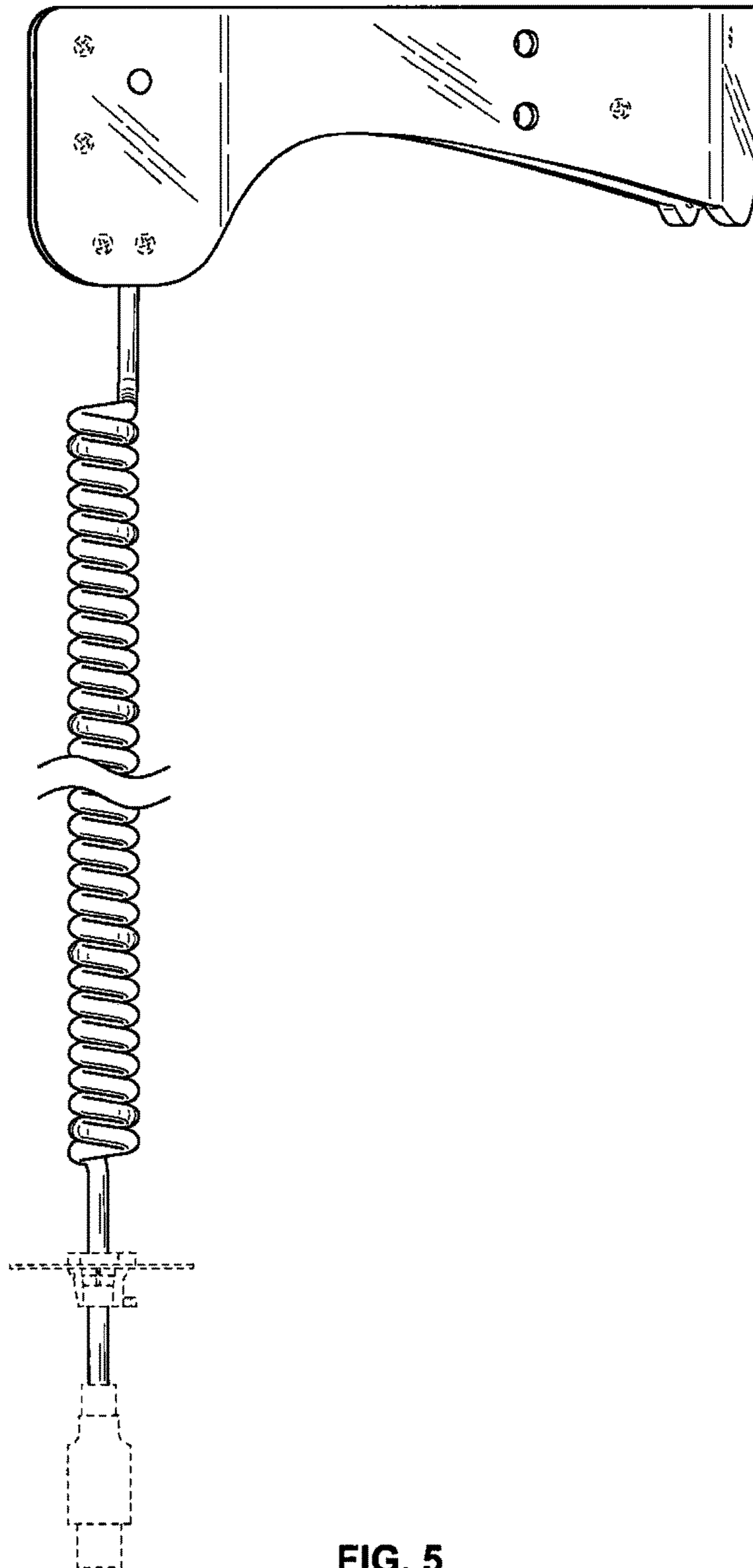


FIG. 5

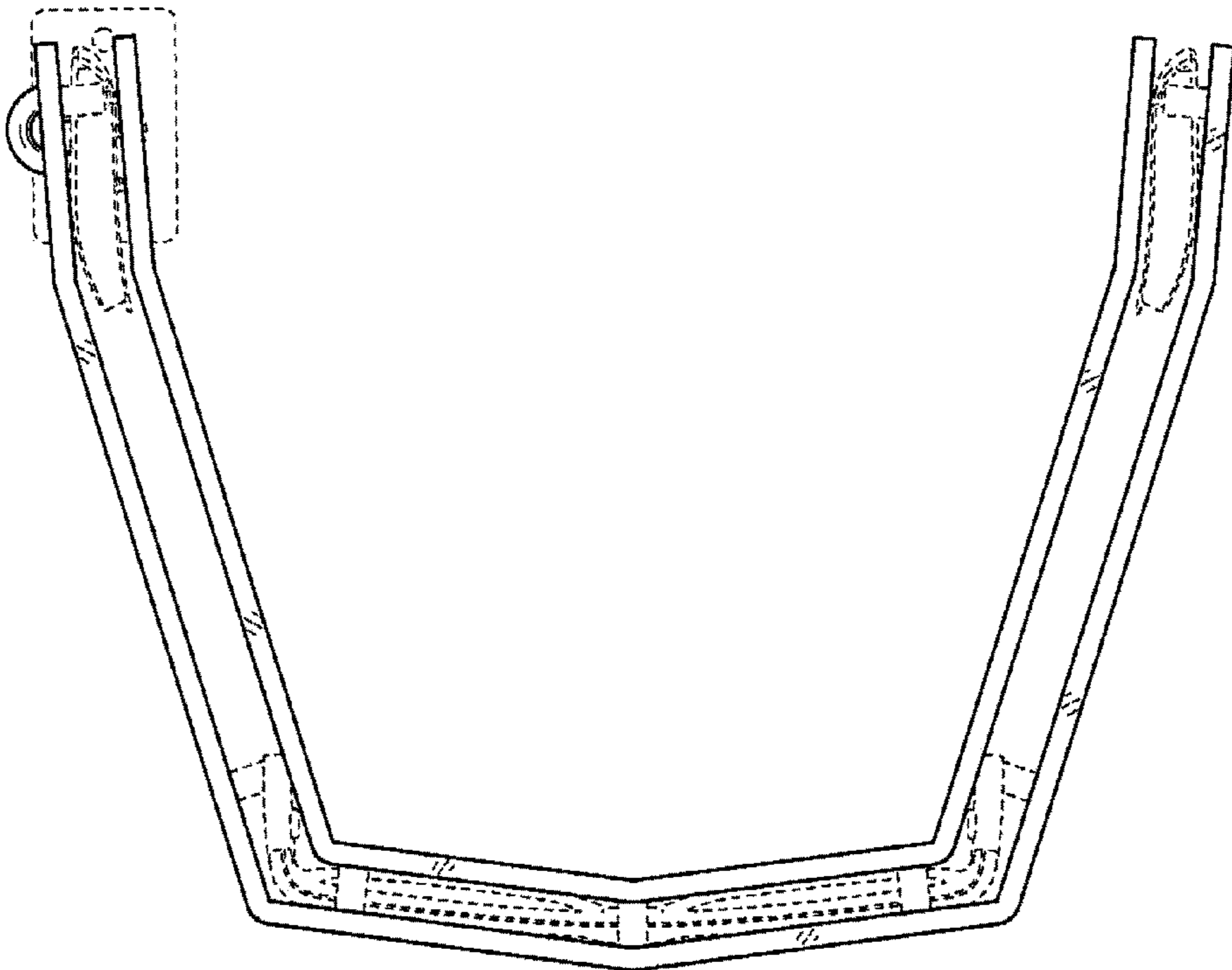


FIG. 6

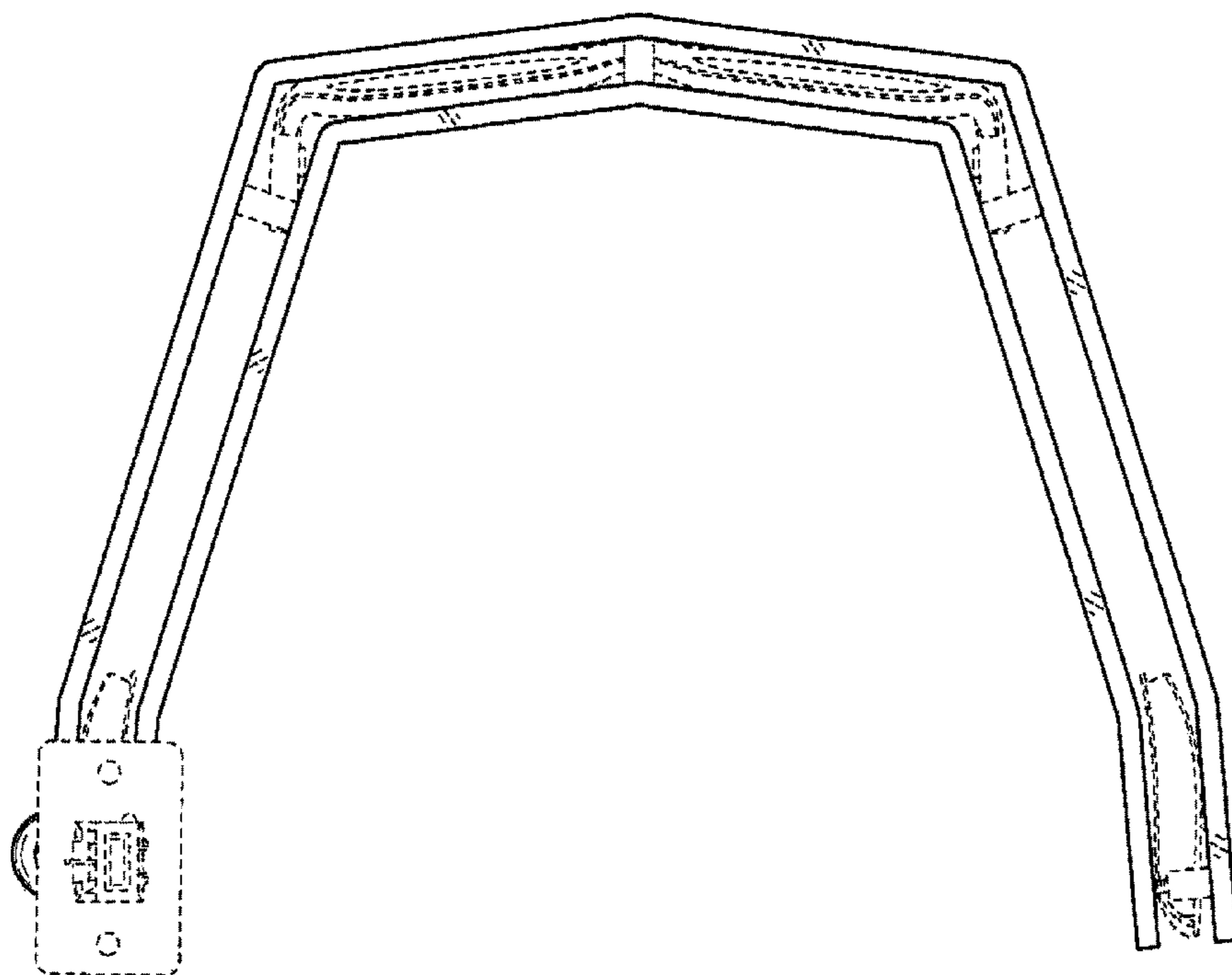


FIG. 7

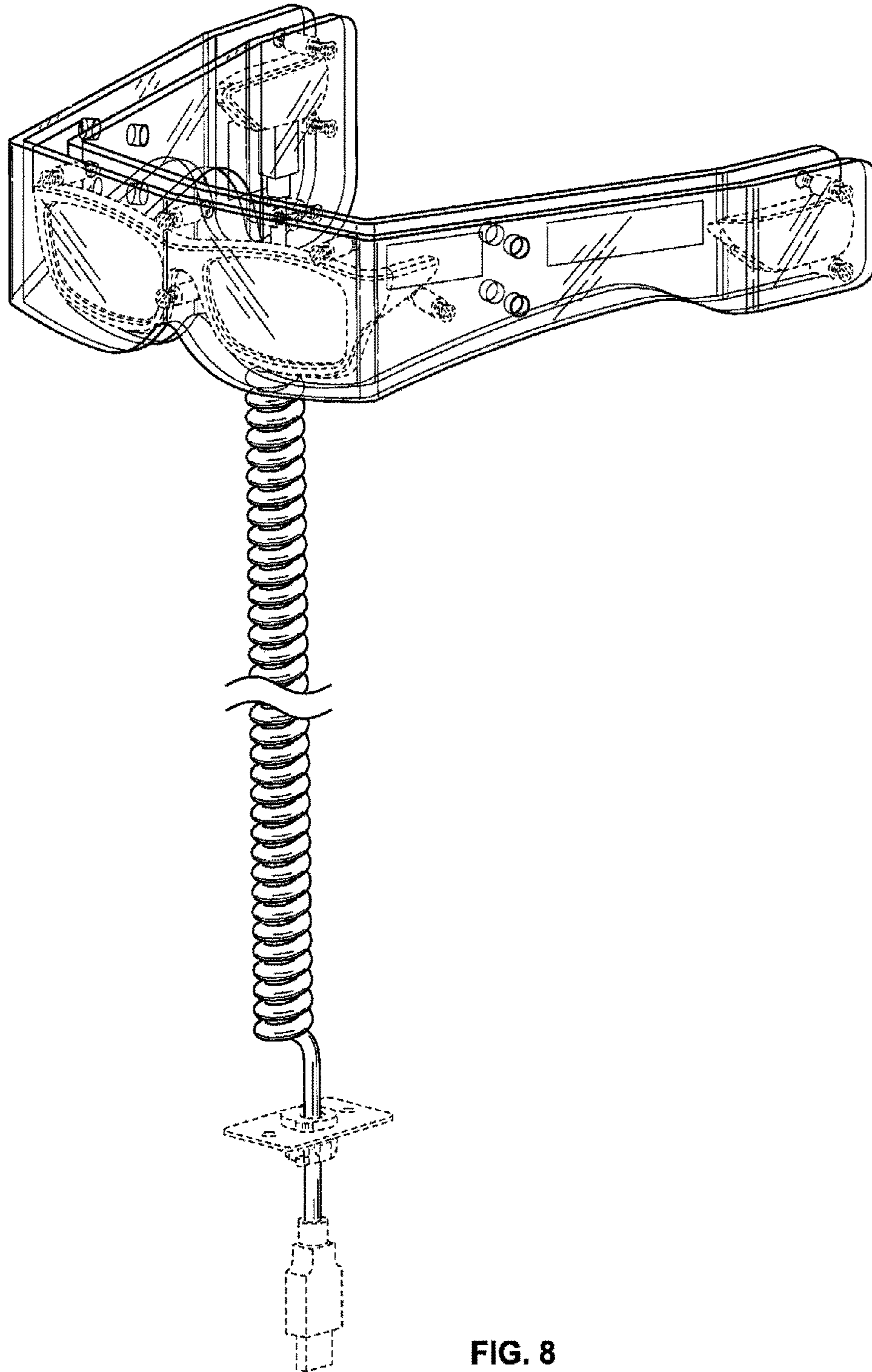


FIG. 8