

US00D660630S

(12) **United States Design Patent**
Soller et al.

(10) **Patent No.:** **US D660,630 S**
(45) **Date of Patent:** **** May 29, 2012**

(54) **HOLDER FOR A CLEANING IMPLEMENT**
(75) Inventors: **Douglas A. Soller**, Racine, WI (US);
Ann Marie Przepasniak, Sturtevant, WI
(US); **Peter M. Neumann**, Racine, WI
(US); **Eric S. Schwartz**, Grayslake, IL
(US); **Christopher Peterson**, Chippewa
Falls, WI (US); **Aaron J. Munsinger**,
Elk Mound, WI (US)

(73) Assignee: **S.C. Johnson & Son, Inc.**, Racine, WI
(US)

(**) Term: **14 Years**

(21) Appl. No.: **29/398,011**

(22) Filed: **Jul. 25, 2011**

(51) **LOC (9) Cl.** **23-02**

(52) **U.S. Cl.** **D6/524**

(58) **Field of Classification Search** D6/524,
D6/525, 527, 551; D34/1, 7, 10, 11; 220/908,
220/908.1, 909, 910, 911; 206/207, 349,
206/361; 312/206, 207; 4/255.05, 255.11

See application file for complete search history.

(56) **References Cited**

U.S. PATENT DOCUMENTS

D272,874 S	3/1984	Cohen
D297,292 S	8/1988	Plymale
D298,712 S	11/1988	Mattei
D329,561 S	9/1992	Nyorkor
D413,419 S	8/1999	Arbak et al.
D414,064 S	9/1999	Shafik
D421,169 S	2/2000	Demore et al.
D450,964 S	11/2001	Johnson
D471,393 S	3/2003	Hutchinson
D477,483 S	7/2003	Brown et al.
D482,920 S	12/2003	Libman et al.
D483,164 S	12/2003	Lin
D484,292 S	12/2003	Lin

D488,902 S	4/2004	Yang et al.	
D491,404 S	* 6/2004	Dotterman et al. D6/551
D493,590 S	7/2004	Chen	
D493,994 S	8/2004	Belt et al.	
D495,182 S	8/2004	Vitantonio et al.	
D500,223 S	12/2004	Libman et al.	
D501,347 S	2/2005	Conway et al.	
D525,467 S	* 7/2006	Michelson et al. D6/524
D528,333 S	9/2006	Wildauer et al.	
D547,987 S	8/2007	Yang et al.	
D566,922 S	4/2008	Lee	
D575,086 S	* 8/2008	Savran D6/524
D578,266 S	* 10/2008	Yang et al. D34/7
D589,734 S	4/2009	Weis et al.	
D596,820 S	* 7/2009	Yang et al. D34/10
D603,119 S	* 10/2009	Yang et al. D34/7
D629,635 S	12/2010	Raven	
D636,960 S	* 4/2011	Duvigneau D34/7
D644,390 S	* 8/2011	Smeets et al. D34/7
D652,189 S	* 1/2012	Morand D34/7

* cited by examiner

Primary Examiner — Brian N Vinson

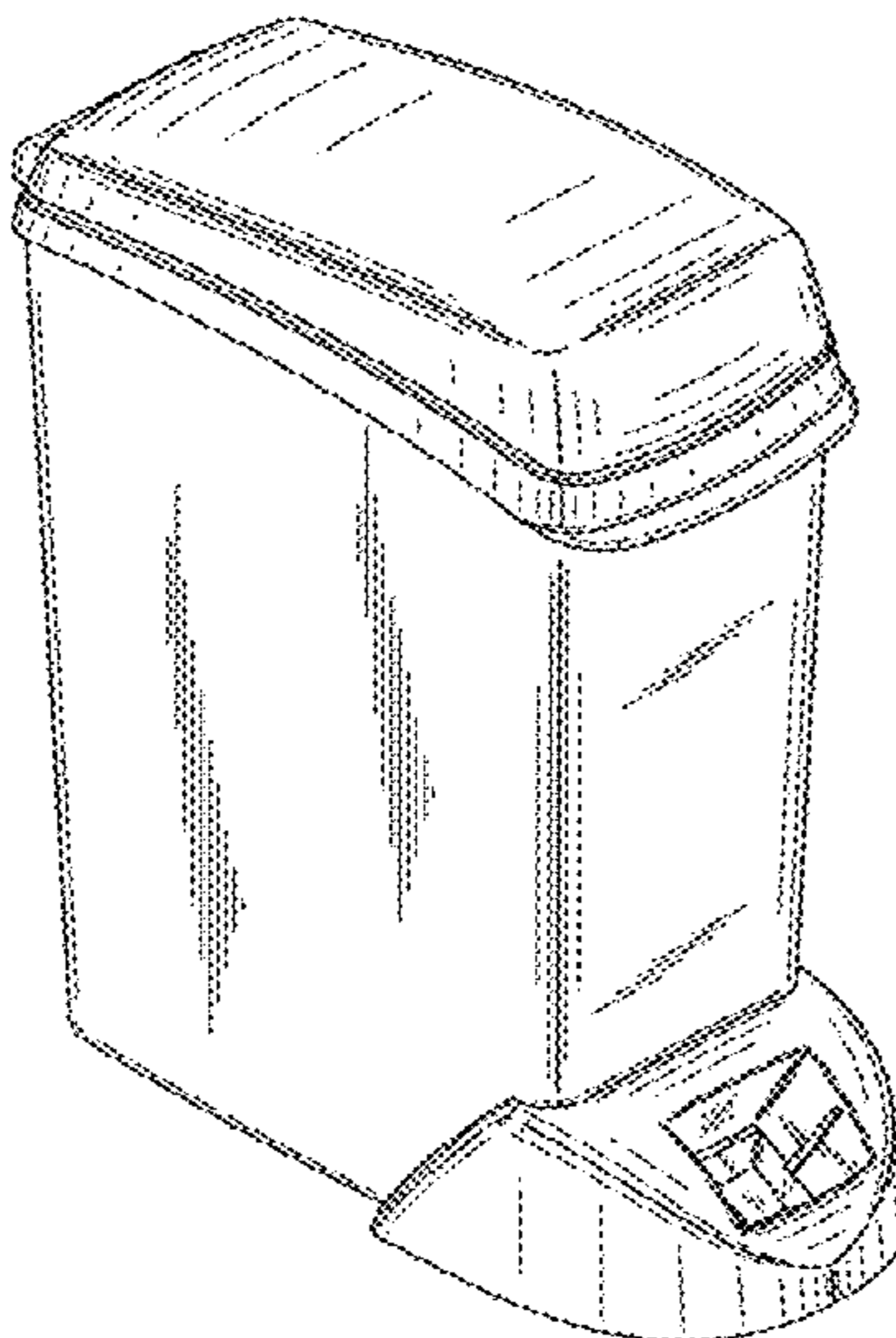
(57) **CLAIM**

The ornamental design for a holder for a cleaning implement, as shown and described.

DESCRIPTION

FIG. 1 is a top, left, front perspective view of a holder for a cleaning implement showing our new design; FIG. 2 is a top, right, rear perspective view thereof; FIG. 3 is a front elevational view thereof; FIG. 4 is a left side elevational view thereof, the right side elevational view being a mirror image of the left side shown; FIG. 5 is a rear elevational view thereof; FIG. 6 is a top plan view thereof; and, FIG. 7 is a bottom plan view thereof. The broken-line disclosure in the views is understood to represent portions of the article in which the claimed design is embodied, but which form no part of the claimed design.

1 Claim, 6 Drawing Sheets



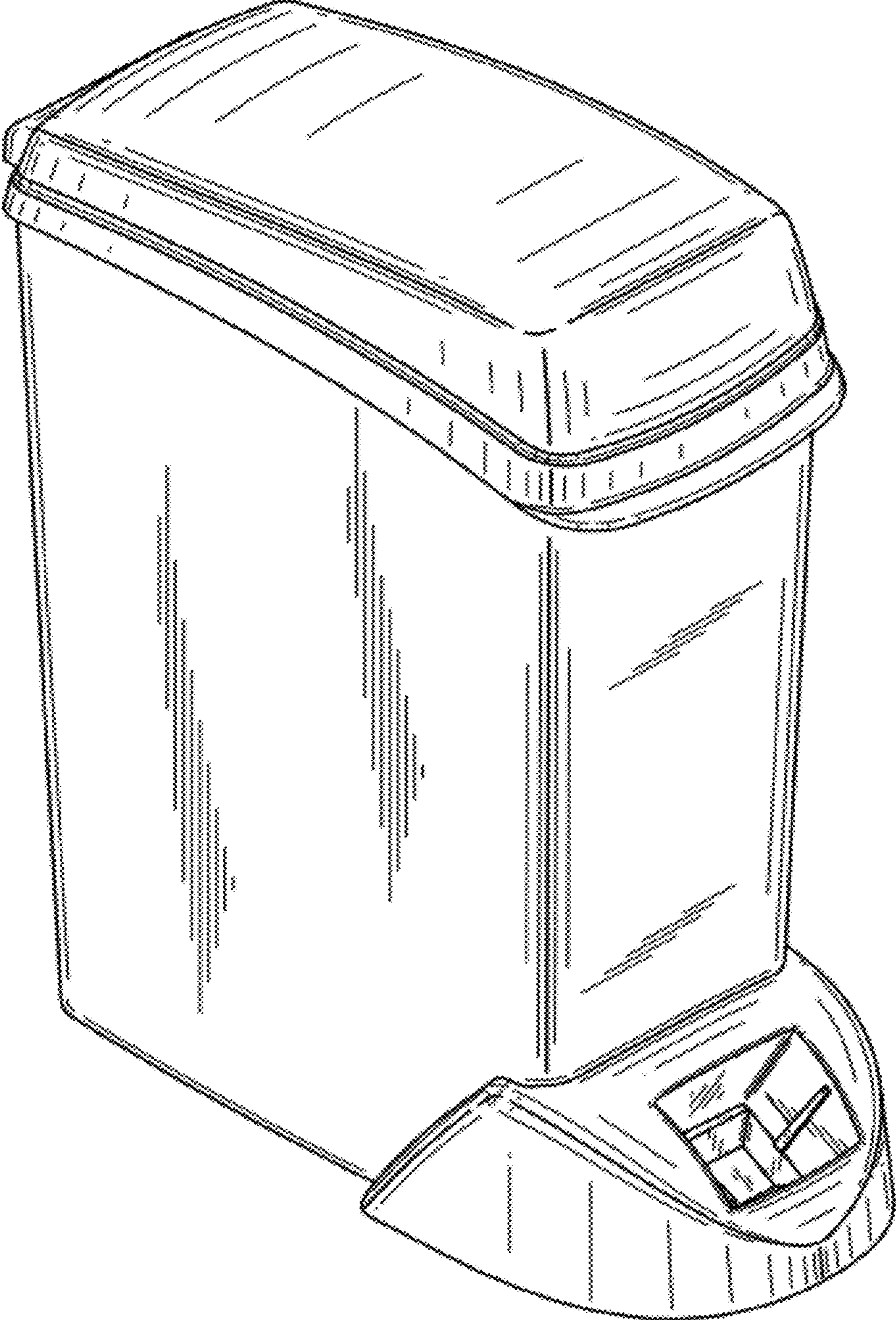


FIG. 1

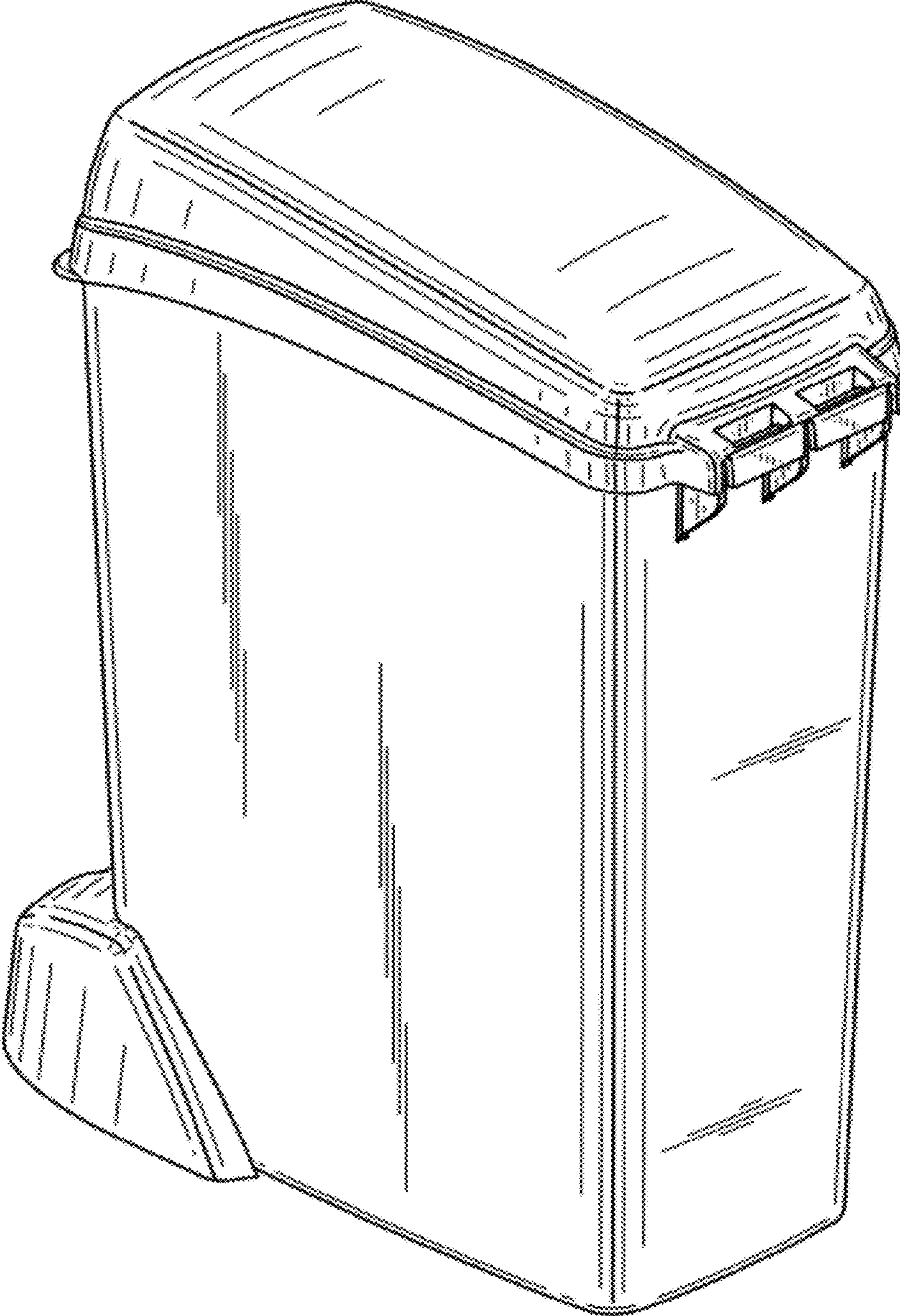


FIG. 2

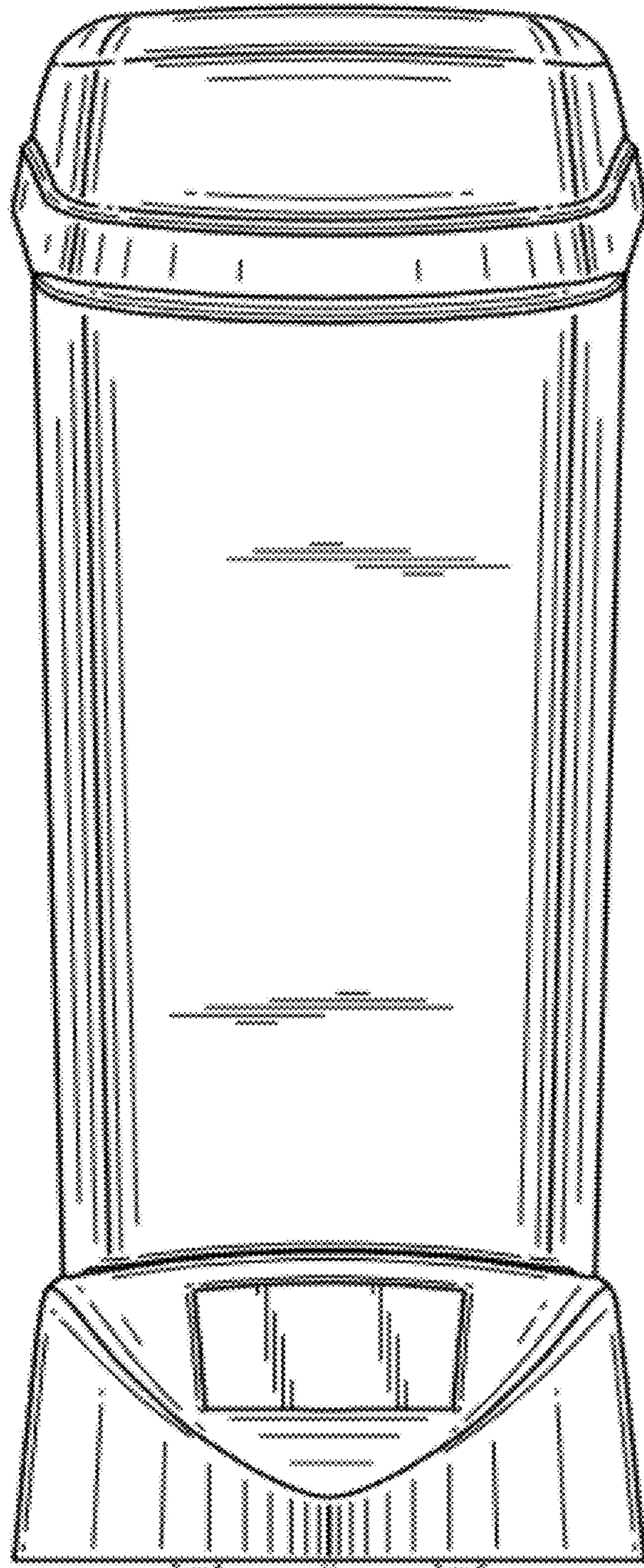


FIG. 3

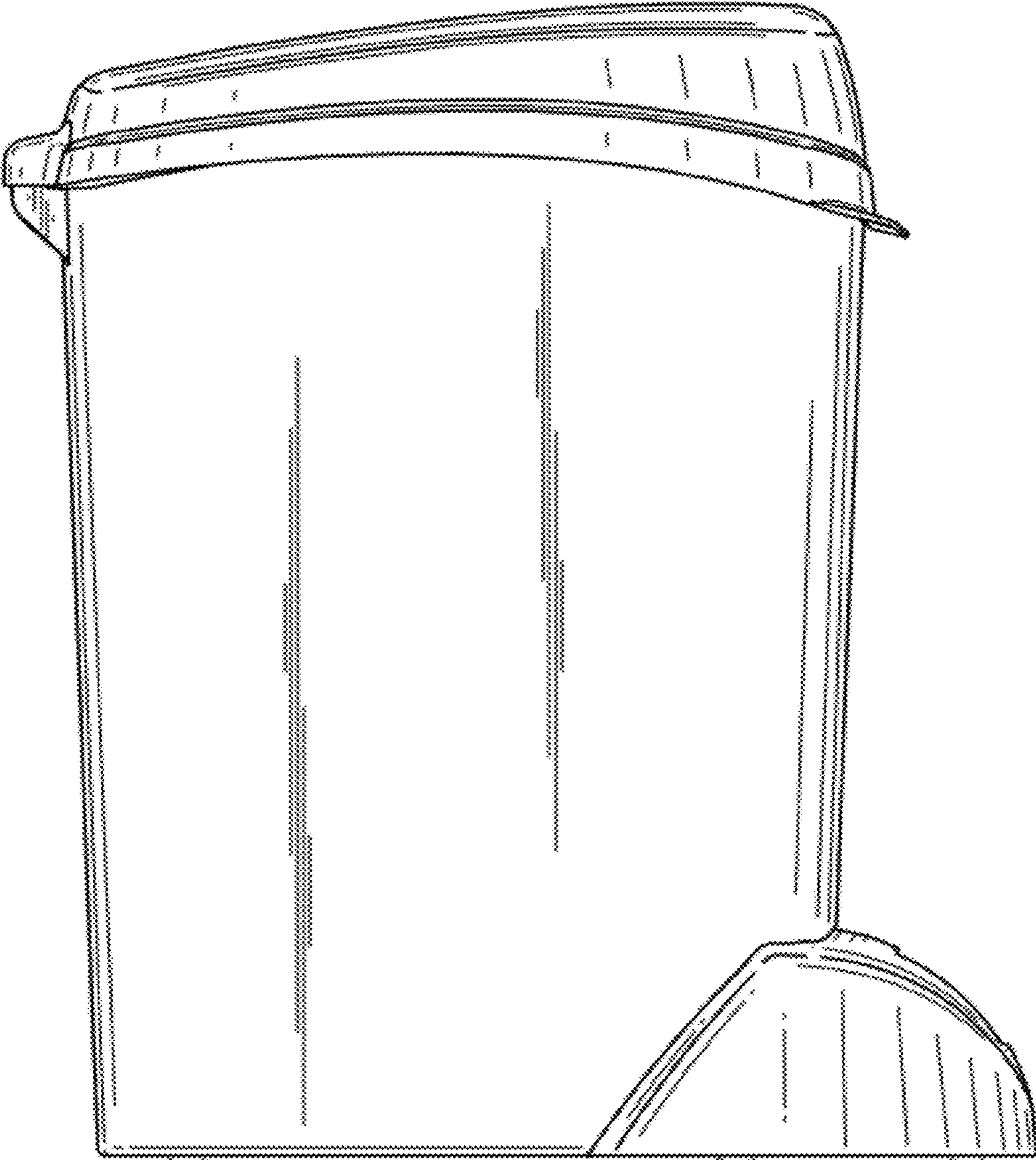


FIG. 4

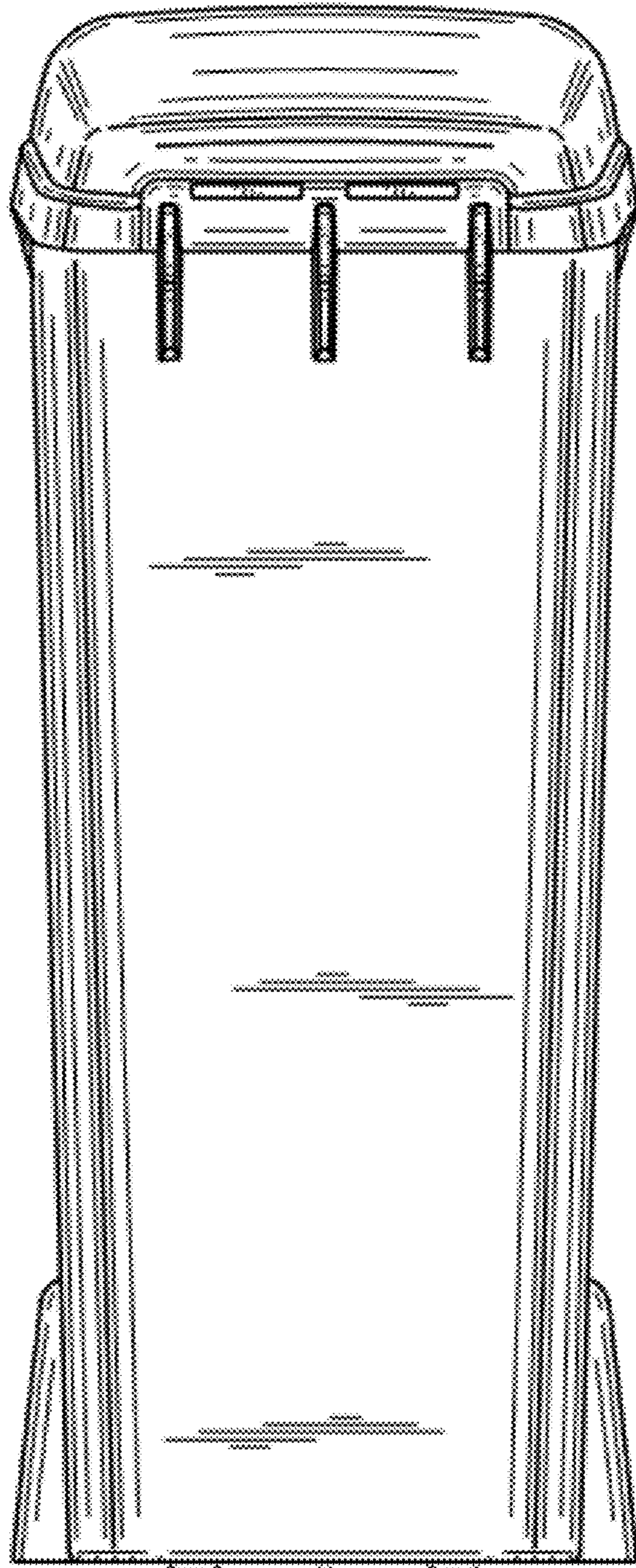


FIG. 5

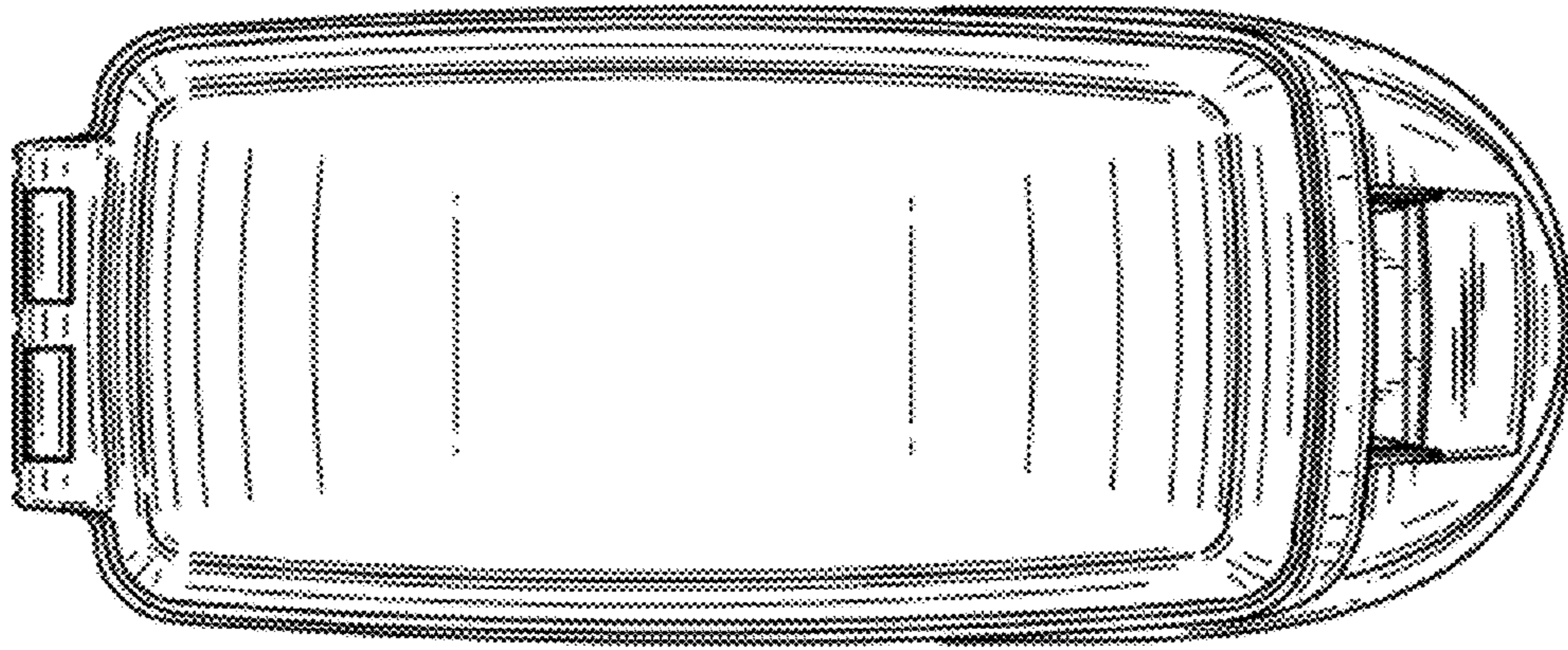


FIG. 6

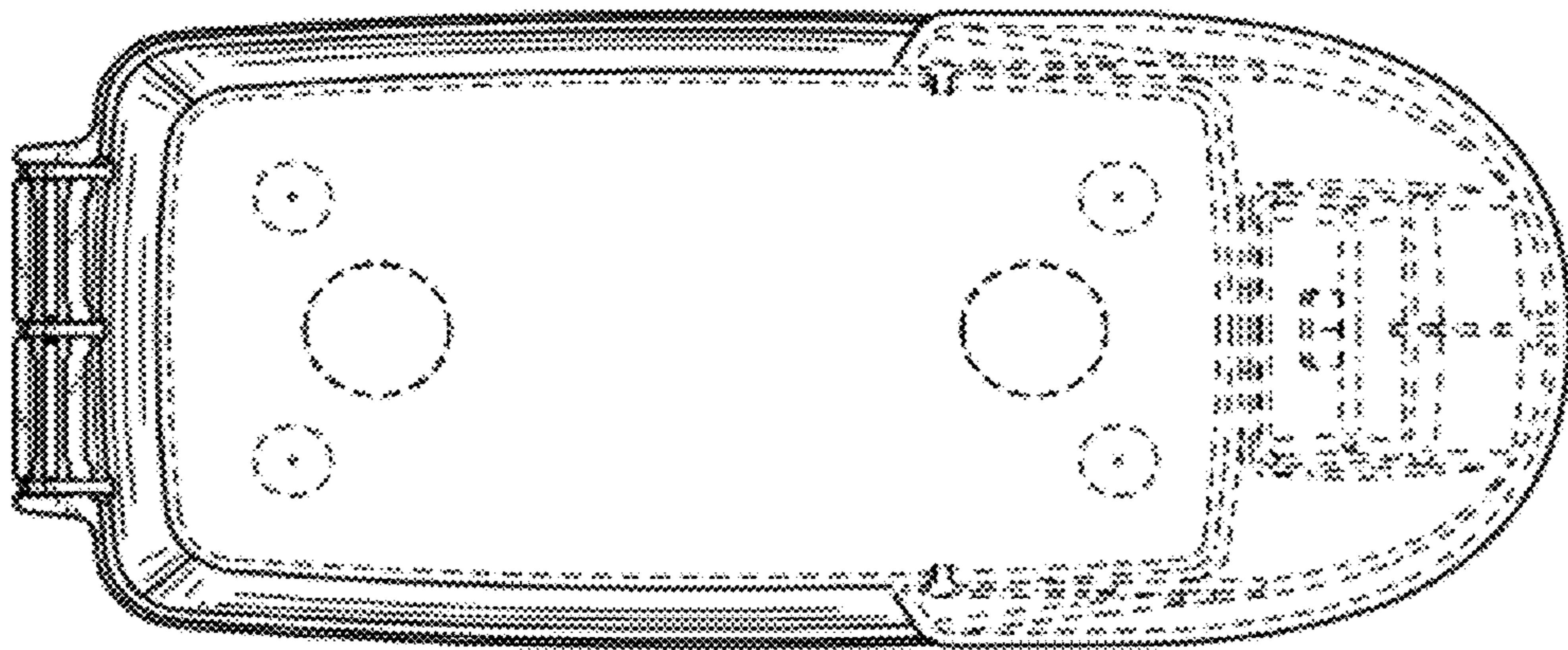


FIG. 7