

US00D660629S

(12) **United States Design Patent**
Goodman et al.

(10) **Patent No.:** **US D660,629 S**

(45) **Date of Patent:** **** May 29, 2012**

(54) **PAPER TOWEL HOLDER**

(75) Inventors: **Sheldon H. Goodman**, Solon, OH (US);
Phaysouk Xayoiphonh, Akron, OH
(US)

(73) Assignee: **Spectrum Diversified Designs, Inc.**,
Streetsboro, OH (US)

(**) Term: **14 Years**

(21) Appl. No.: **29/412,699**

(22) Filed: **Feb. 7, 2012**

(51) **LOC (9) Cl.** **20-02**

(52) **U.S. Cl.** **D6/521; D6/522**

(58) **Field of Classification Search** D6/518-523;
206/389, 391; 211/13.1, 59.1, 45, 890.1;
242/570, 590, 597.7; 248/309.1, 309.2

See application file for complete search history.

(56) **References Cited**

U.S. PATENT DOCUMENTS

D474,634 S *	5/2003	Ancona	D6/522
D522,292 S *	6/2006	Goodman et al.	D6/521
D582,709 S *	12/2008	Goodman et al.	D6/521
D628,836 S *	12/2010	Guindi	D6/521
D628,838 S *	12/2010	Goodman et al.	D6/521
D631,271 S *	1/2011	Goodman et al.	D6/521

OTHER PUBLICATIONS

Aladdin Shelf Lamp, www.aladdinkerosenelamps.com.
Hammered Silver Candlestick Holder, www.nova68.com.

* cited by examiner

Primary Examiner — Brian N Vinson

(74) *Attorney, Agent, or Firm* — Pearne & Gordon LLP

(57) **CLAIM**

The ornamental design for a paper towel holder, as shown and described.

DESCRIPTION

FIG. 1 is a perspective view of a paper towel holder showing our new design;

FIG. 2 is a front elevational view thereof;

FIG. 3 is a rear elevational view thereof;

FIG. 4 is a right side elevational view thereof;

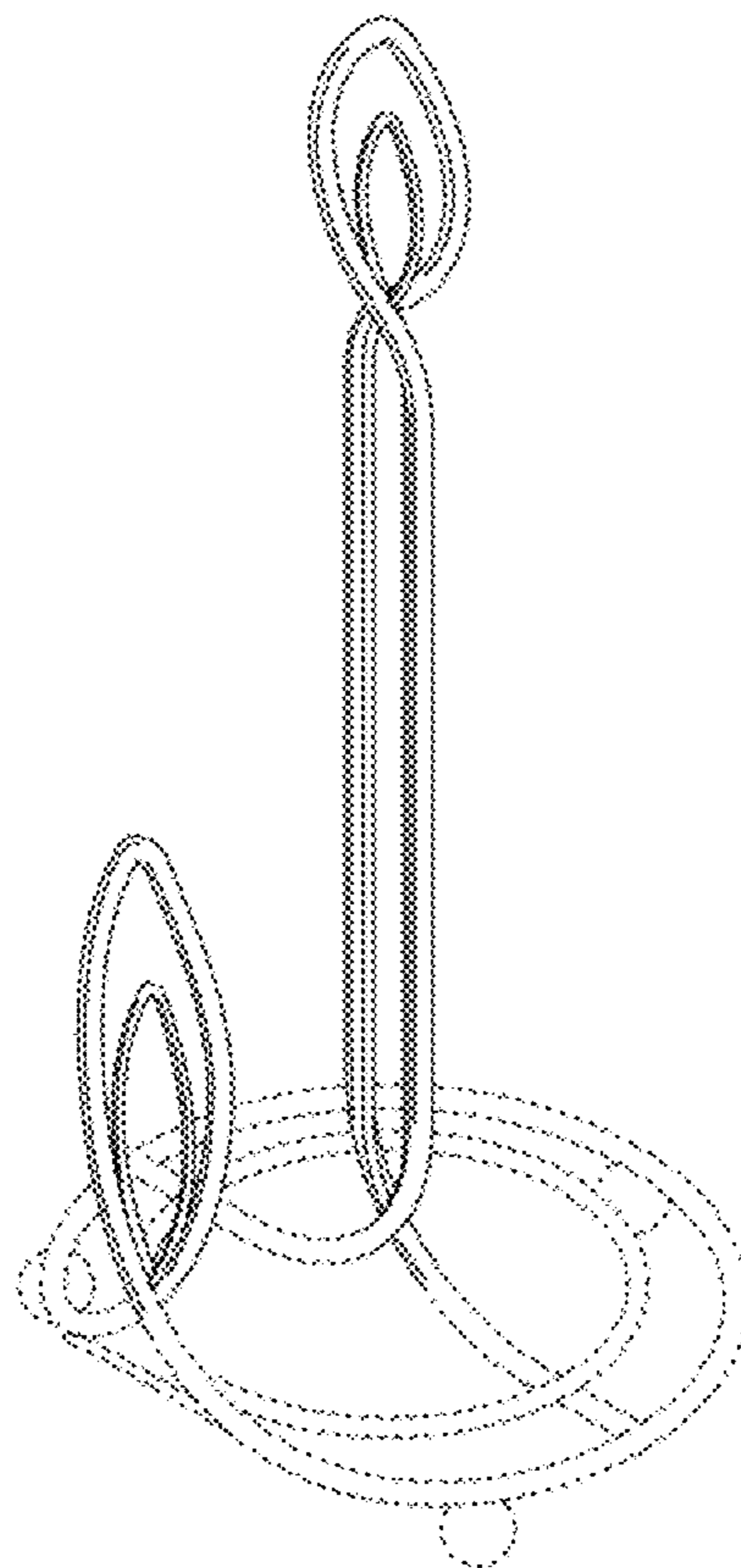
FIG. 5 is a left side elevational view thereof;

FIG. 6 is a top plan view thereof; and,

FIG. 7 is a bottom plan view thereof.

The broken-line disclosure represents portions of the article in which the claimed design is embodied, but which form no part of the claimed design.

1 Claim, 4 Drawing Sheets



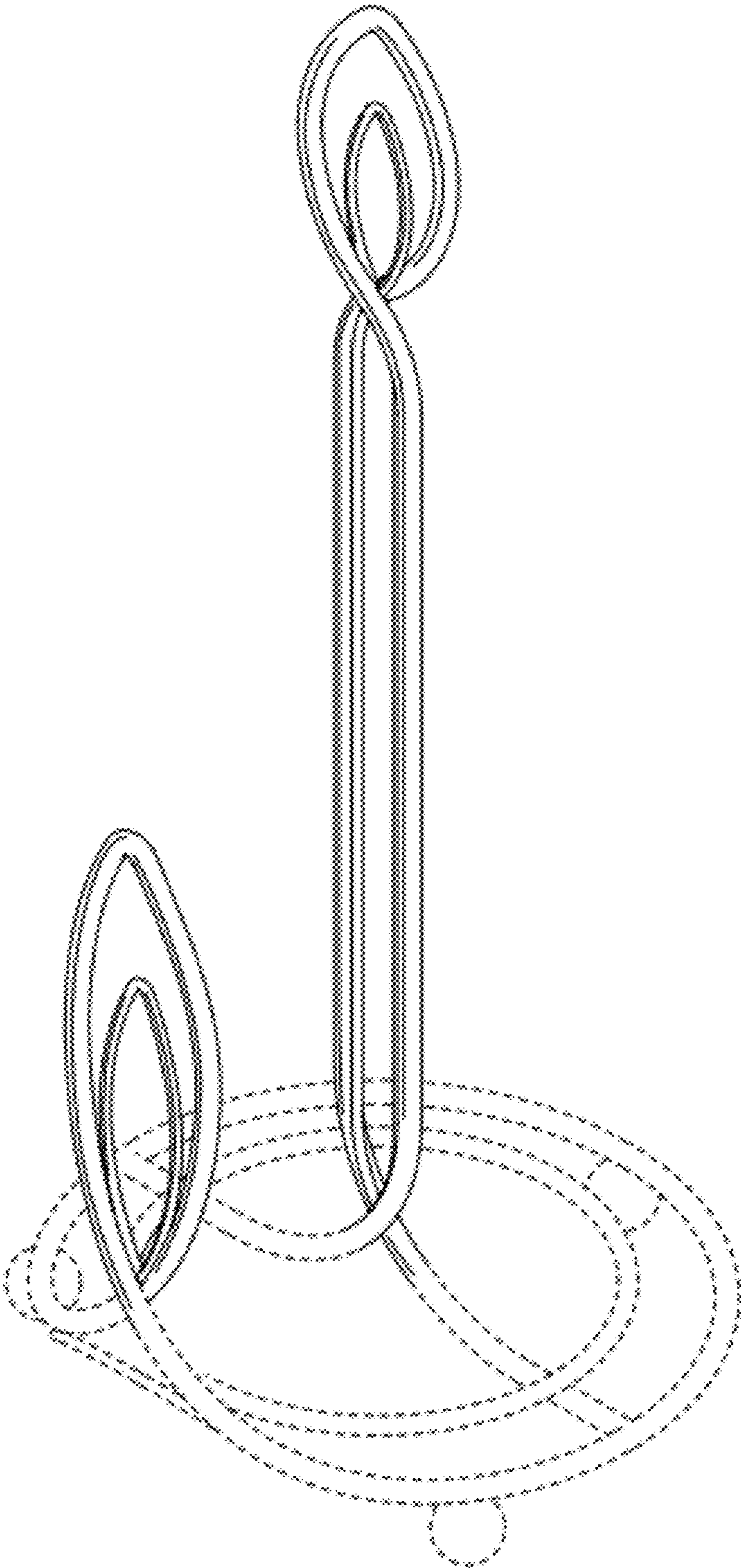


FIG. 1

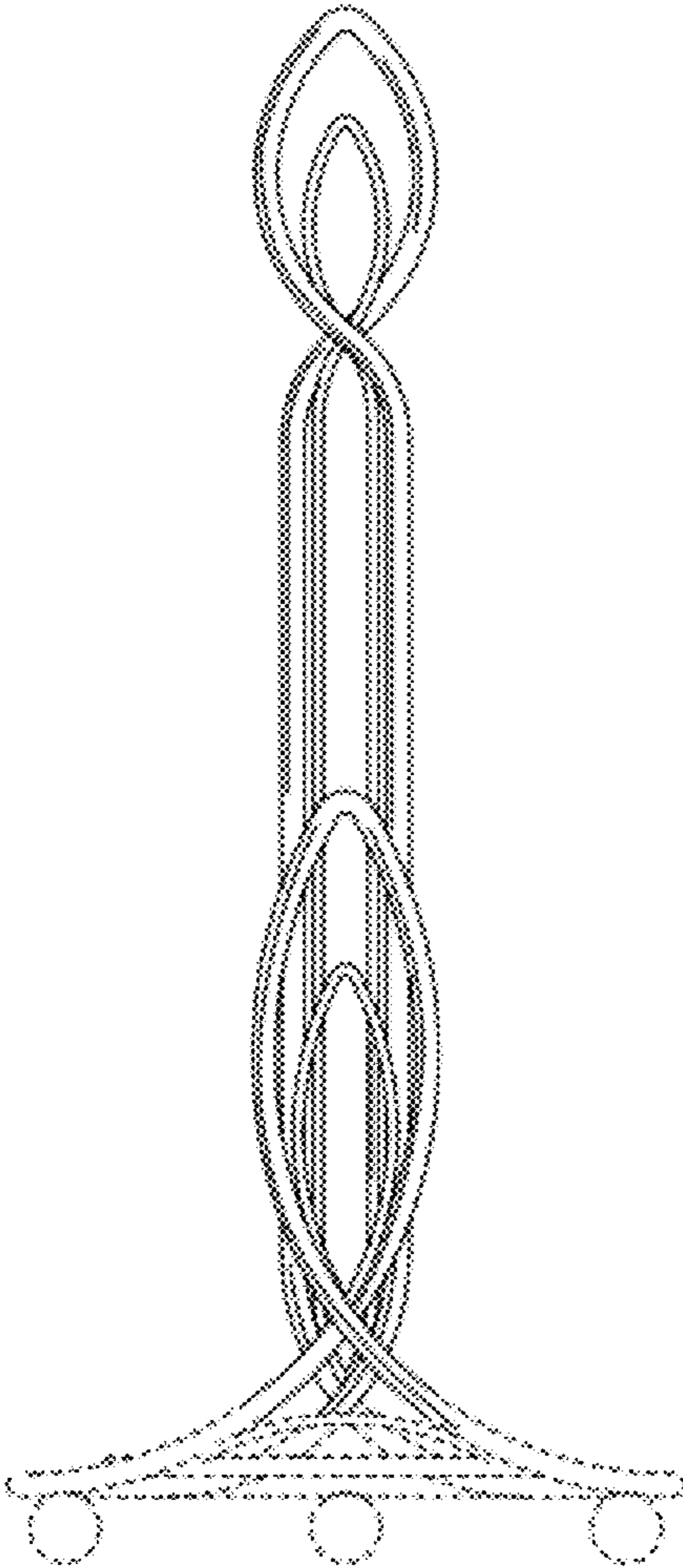


FIG. 2

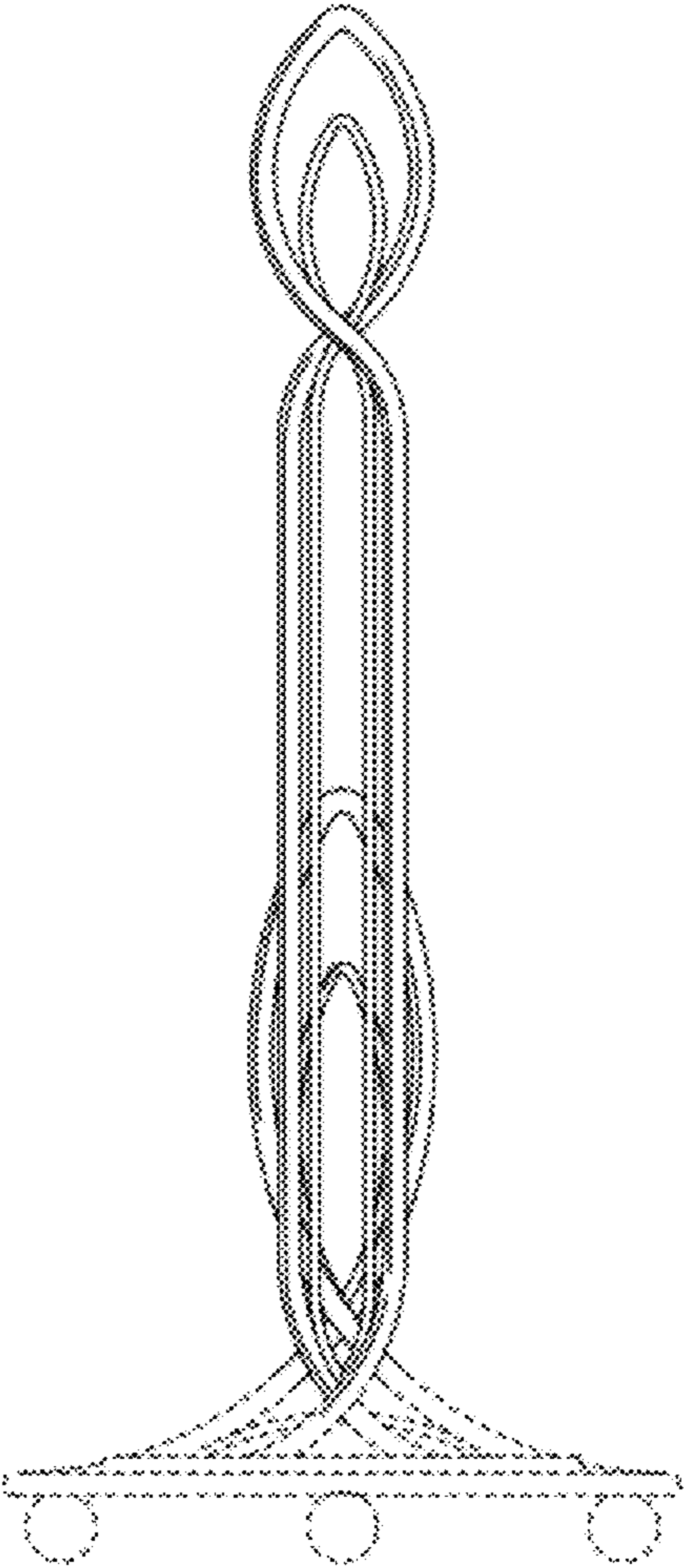


FIG. 3

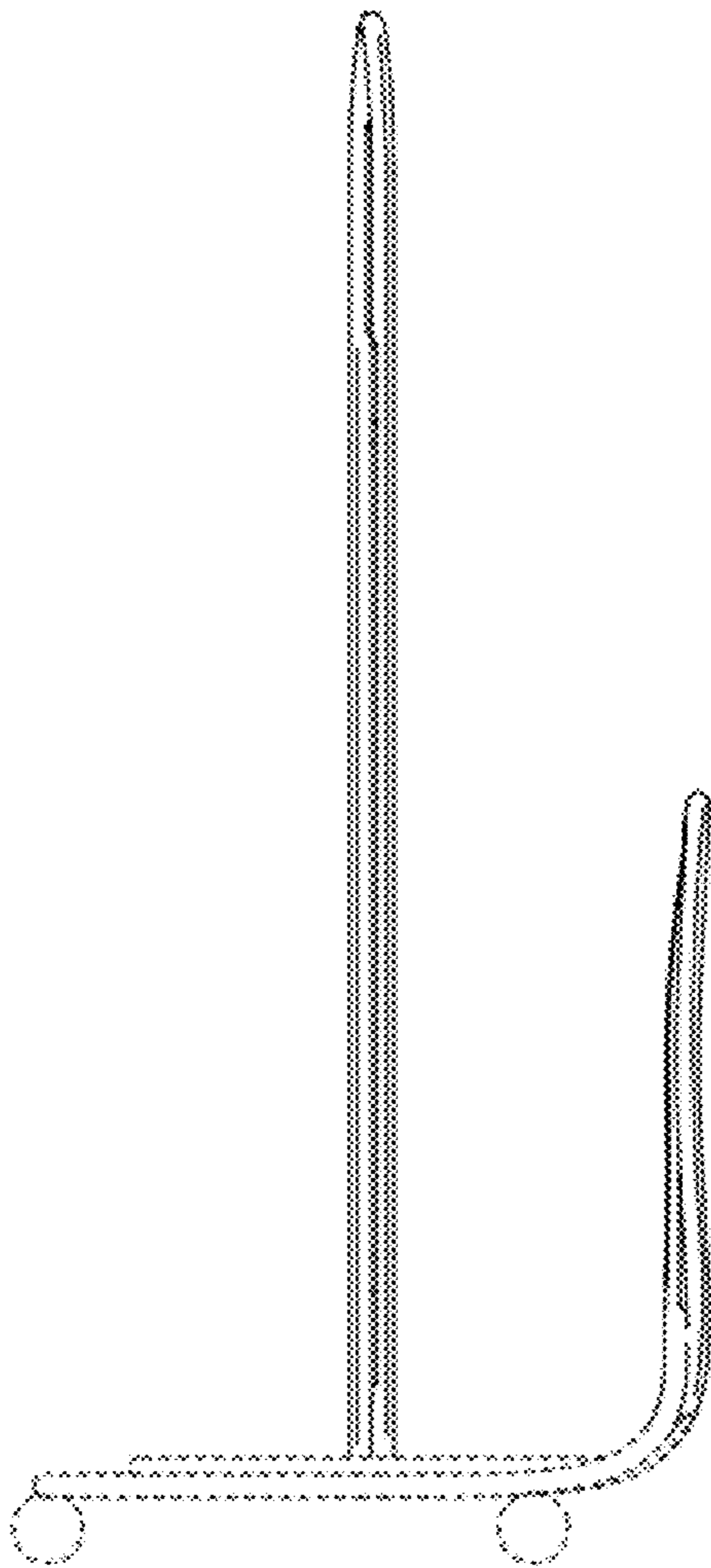


FIG. 4

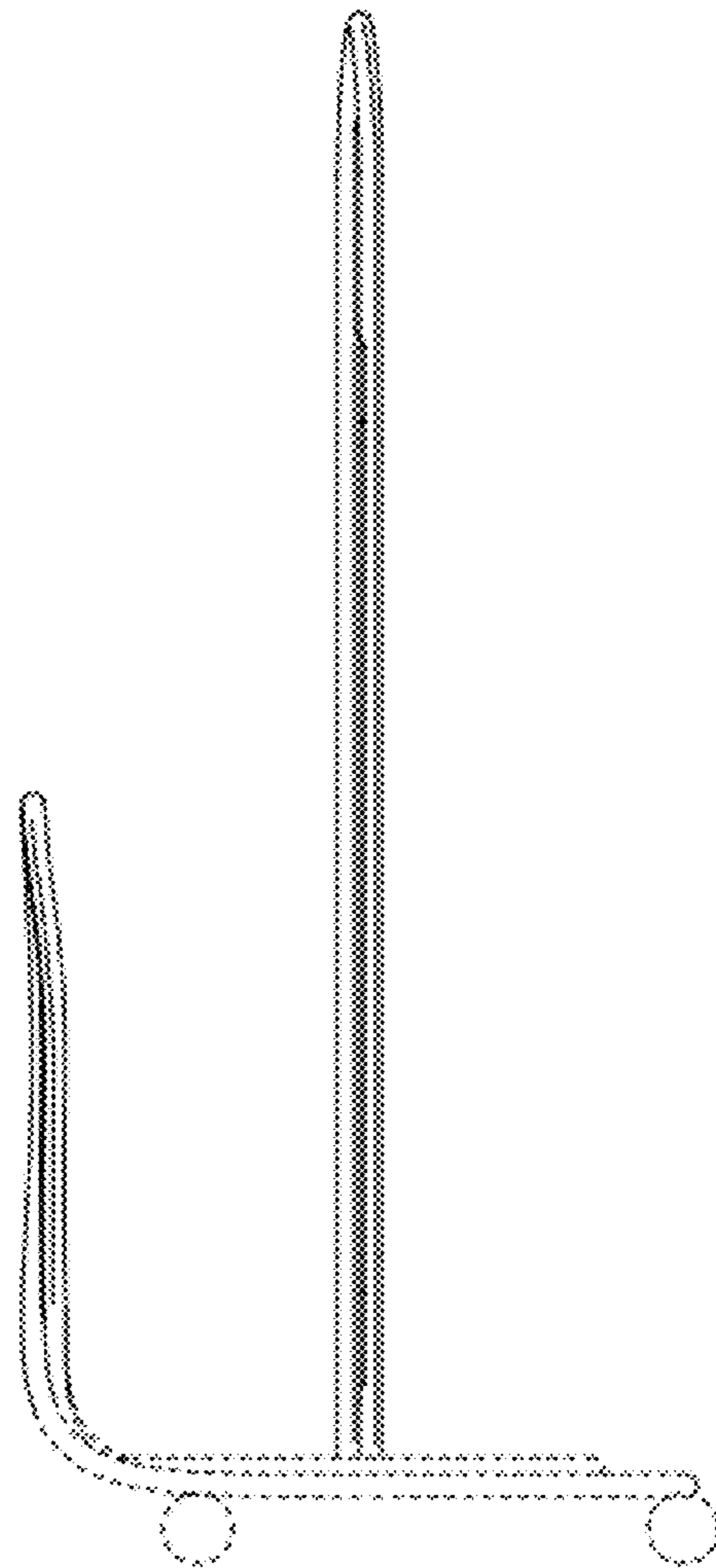


FIG. 5

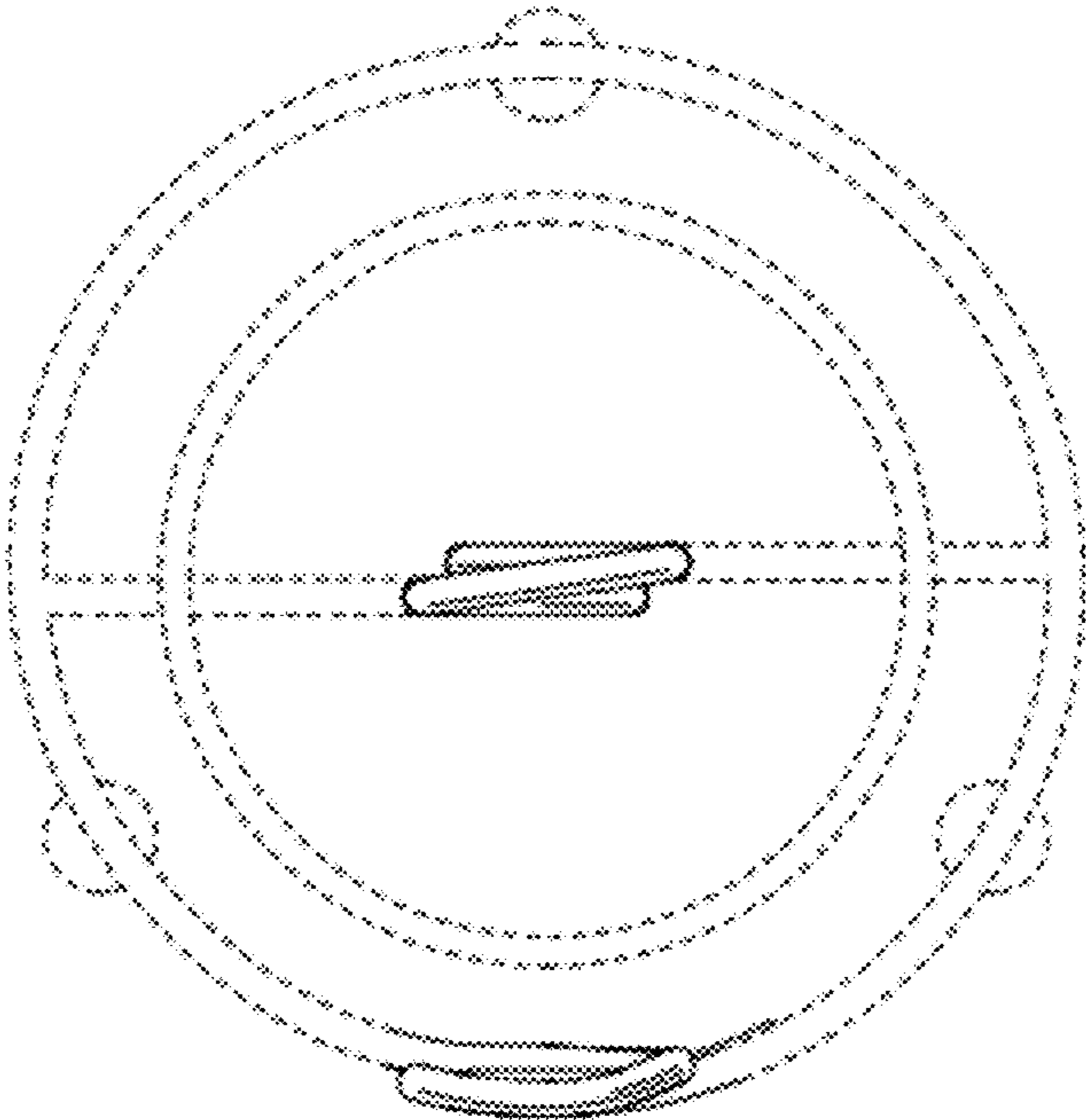


FIG. 6

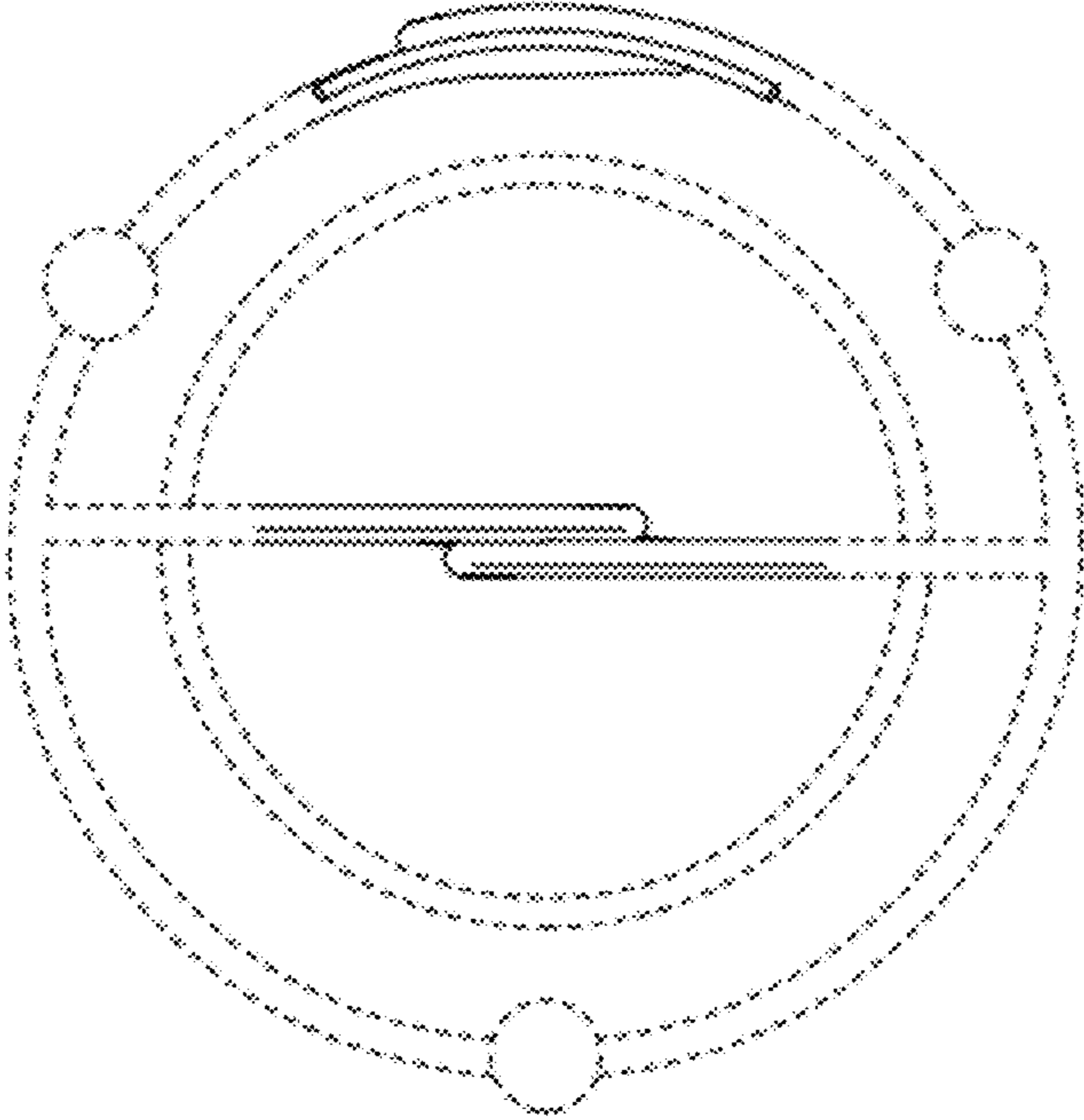


FIG. 7