

US00D660628S

(12) **United States Design Patent**
Tawil

(10) **Patent No.:** **US D660,628 S**

(45) **Date of Patent:** **** May 29, 2012**

(54) **PAPER ROLL HOLDER**

(75) **Inventor:** **Joseph Tawil**, Brooklyn, NY (US)

(73) **Assignee:** **IDP L.L.C.**, New York, NY (US)

(**) **Term:** **14 Years**

(21) **Appl. No.:** **29/406,013**

(22) **Filed:** **Nov. 9, 2011**

(51) **LOC (9) Cl.** **20-02**

(52) **U.S. Cl.** **D6/520; D3/306**

(58) **Field of Classification Search** D6/515-523,
D6/566, 552; D3/201, 304, 305, 306; 206/389,
206/391; 211/13.1, 86.01, 87.01, 71.01,
211/181.1; 242/580, 590; 248/309.1; D34/1;
D11/148; 220/489

See application file for complete search history.

(56) **References Cited**

U.S. PATENT DOCUMENTS

1,599,243	A *	9/1926	Parker	220/489
2,121,403	A *	6/1938	Lapinskas	220/489
D382,710	S *	8/1997	Henderson	D3/305
D540,083	S *	4/2007	Snell	D6/523

D542,581	S *	5/2007	Goodman et al.	D6/520
D564,814	S *	3/2008	Snider	D6/520
D601,770	S *	10/2009	Skalka	D34/1
D618,021	S *	6/2010	Guindi	D6/520
D619,839	S *	7/2010	Guindi	D6/520
D639,589	S *	6/2011	Tawil	D6/520
D647,744	S *	11/2011	Guindi	D6/520

* cited by examiner

Primary Examiner — Brian N Vinson

(74) *Attorney, Agent, or Firm* — Kirschstein, et al.

(57) **CLAIM**

The ornamental design for a paper roll holder, as shown and described.

DESCRIPTION

FIG. 1 is a front elevational view of a paper roll holder according to my new design;

FIG. 2 is a top plan view thereof;

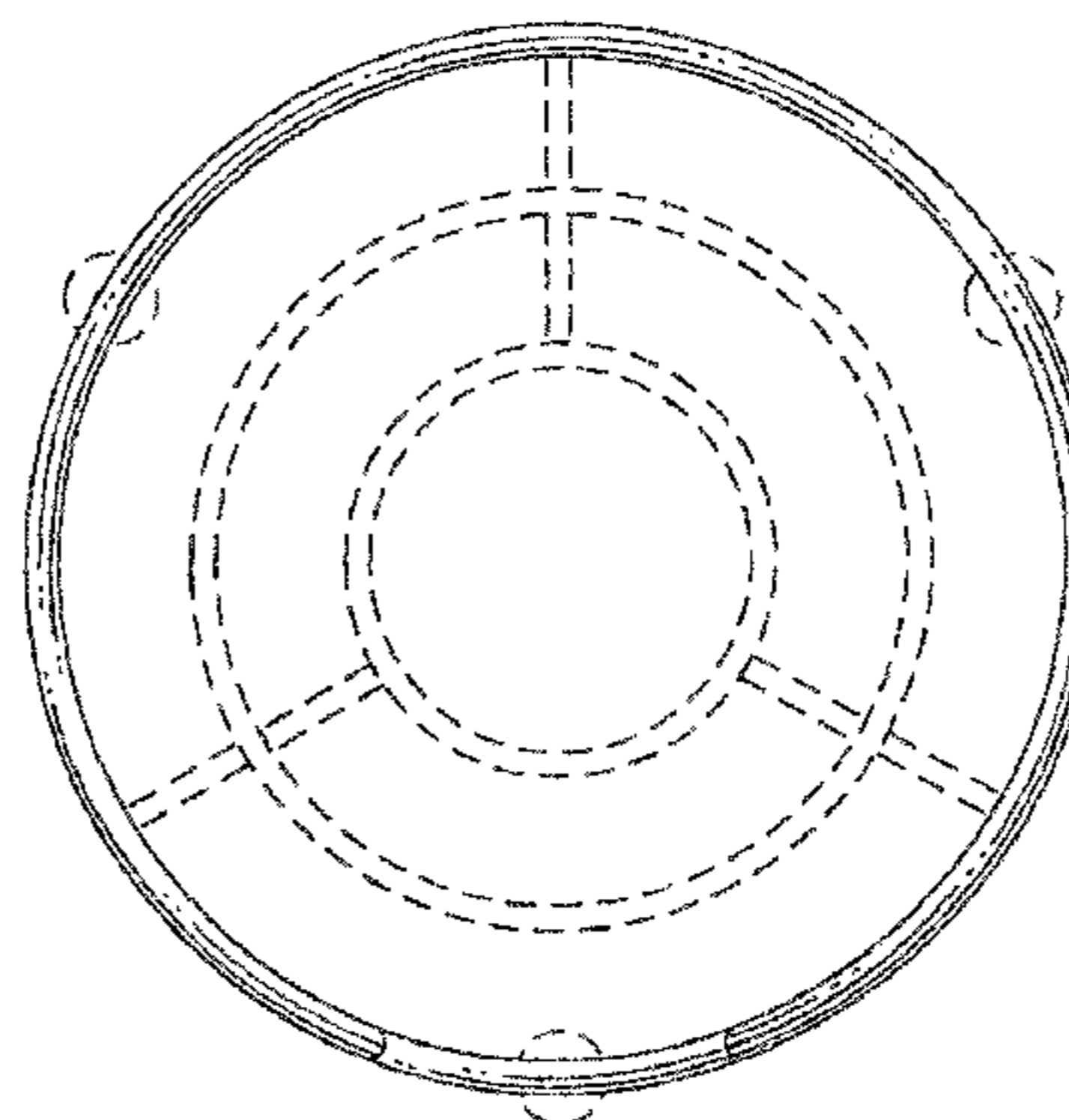
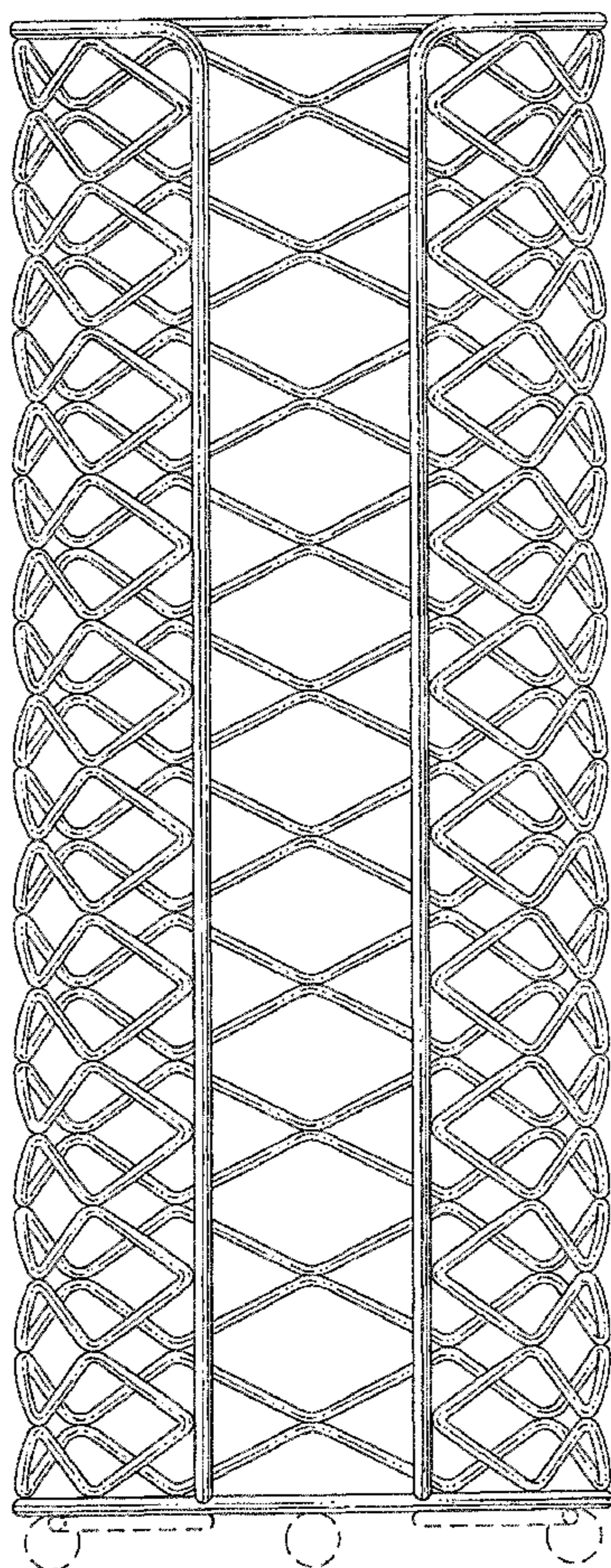
FIG. 3 is a side elevational view thereof;

FIG. 4 is a rear elevational view thereof; and,

FIG. 5 is a bottom plan view thereof.

The broken-line disclosure is understood to represent portions of the article in which the claimed design is embodied, but which form no part of the claimed design.

1 Claim, 4 Drawing Sheets



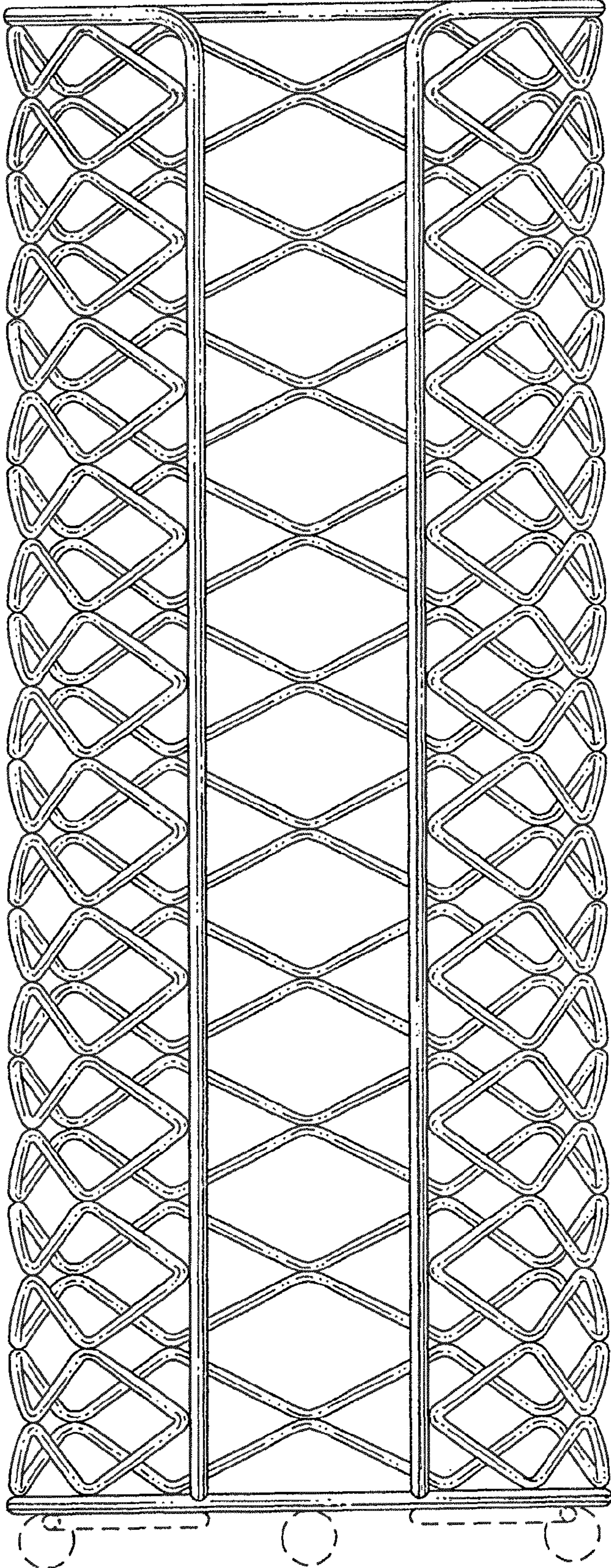


FIG. 1

FIG. 2

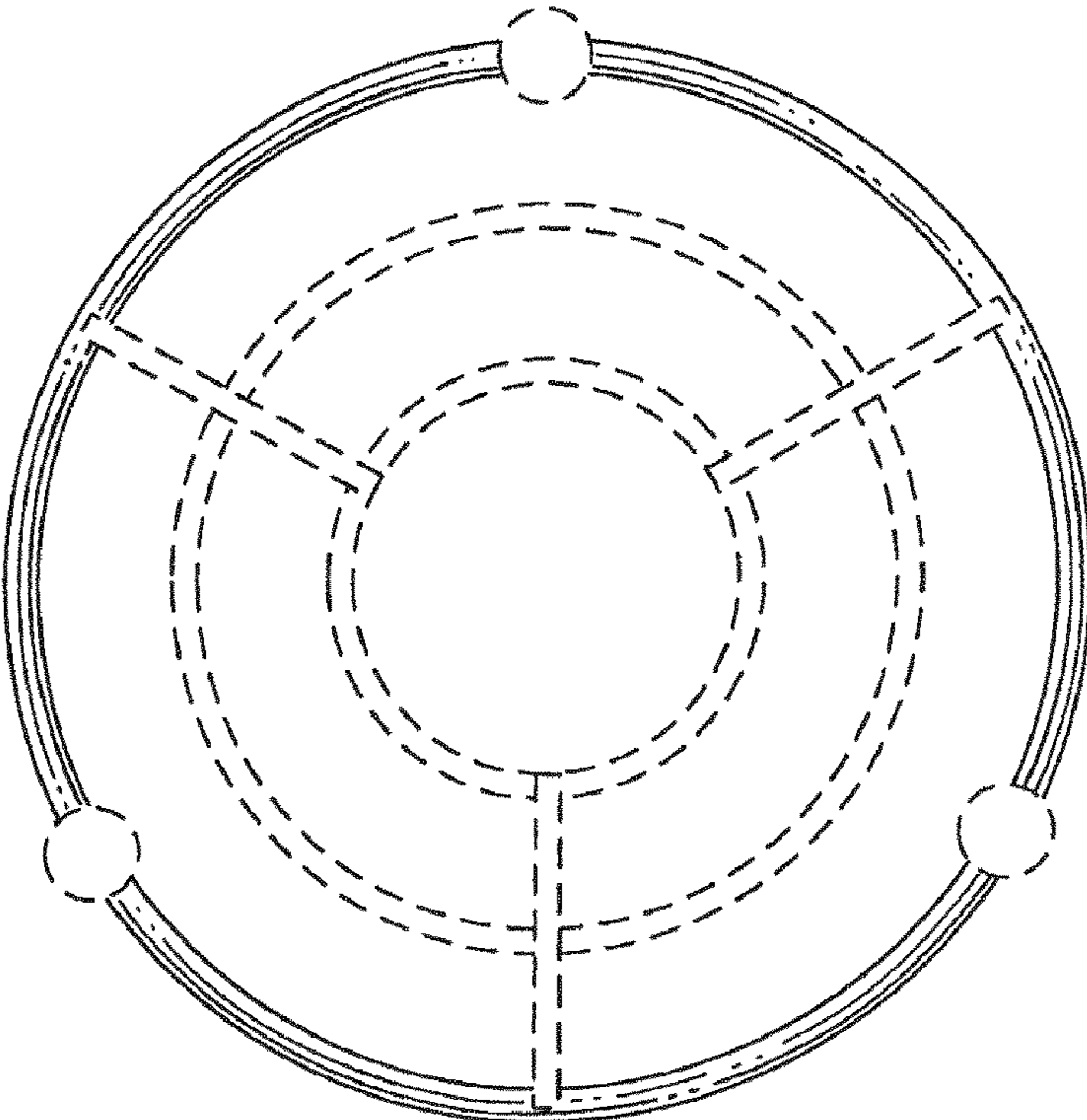
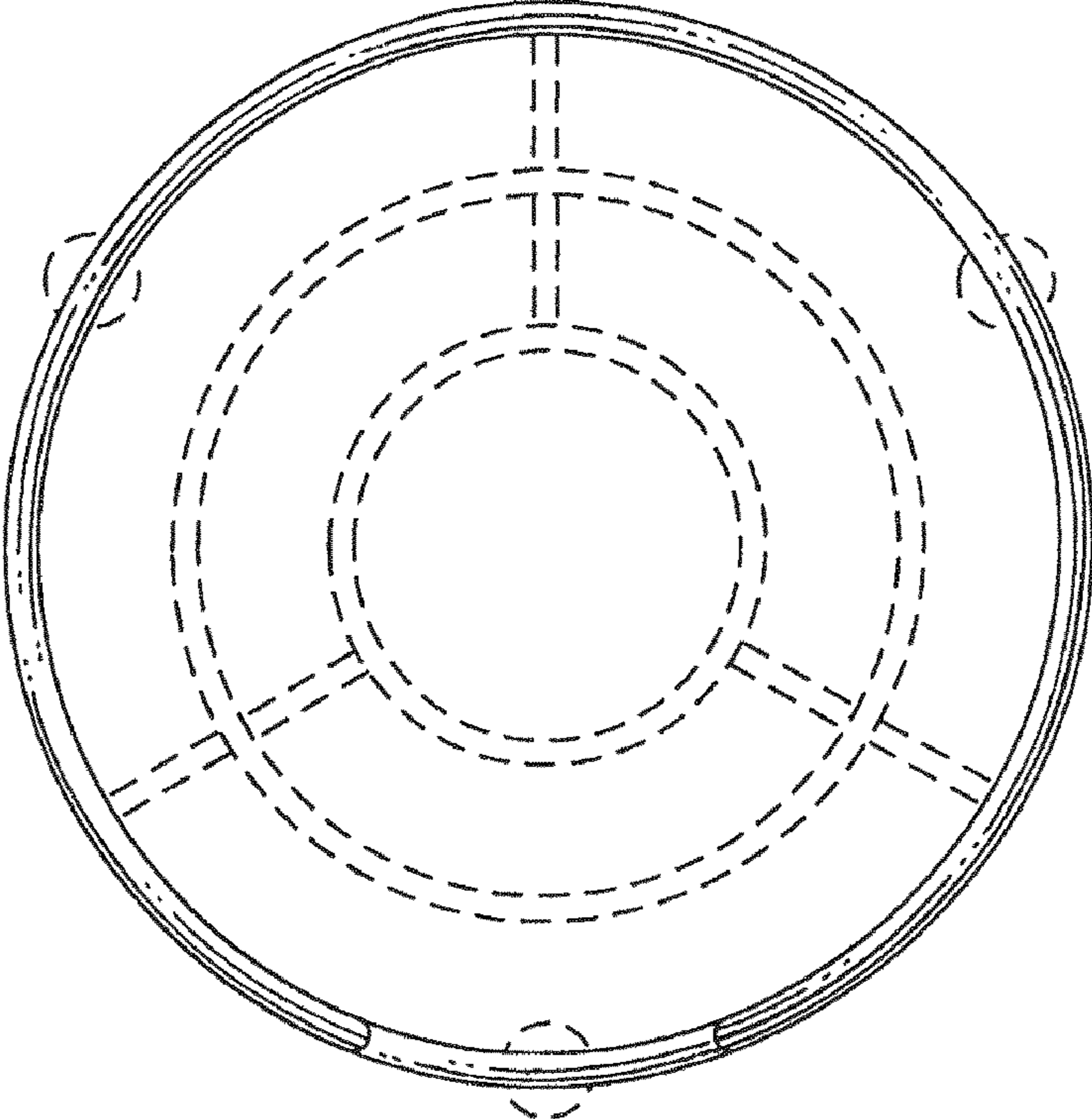
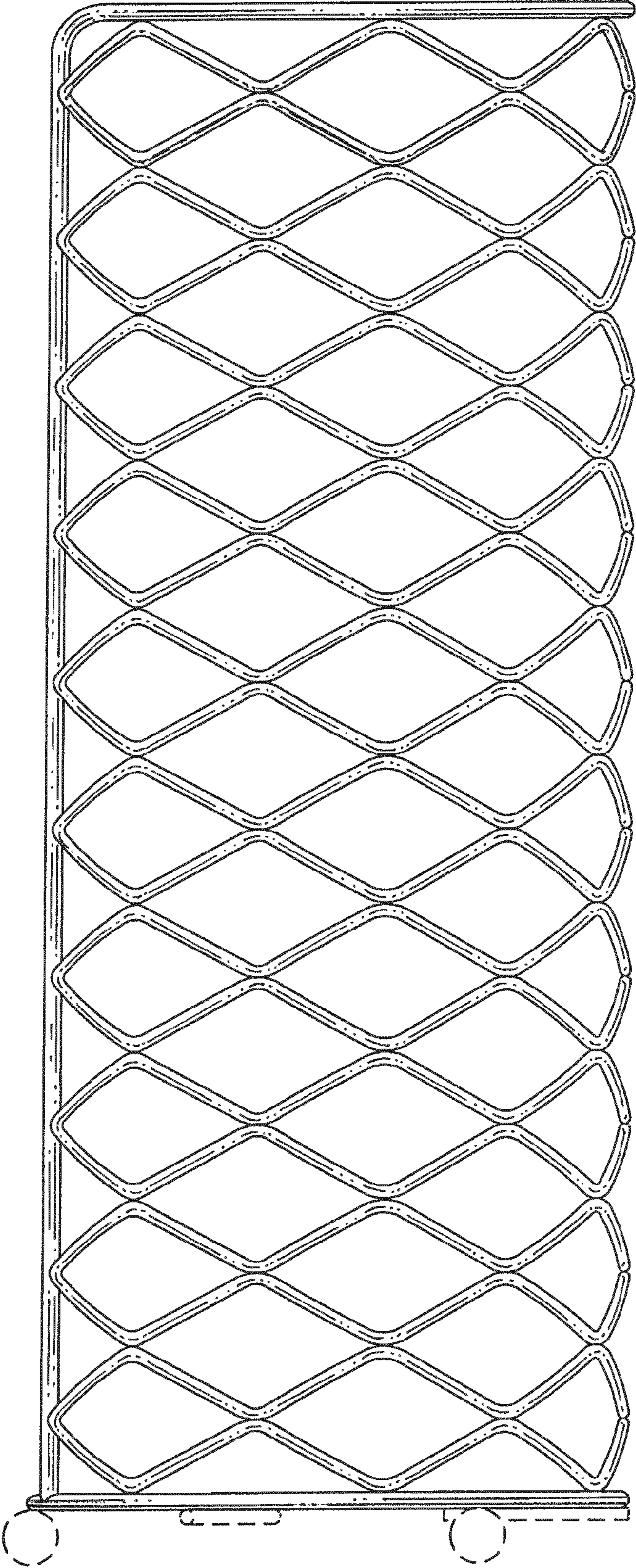


FIG. 5

FIG. 3



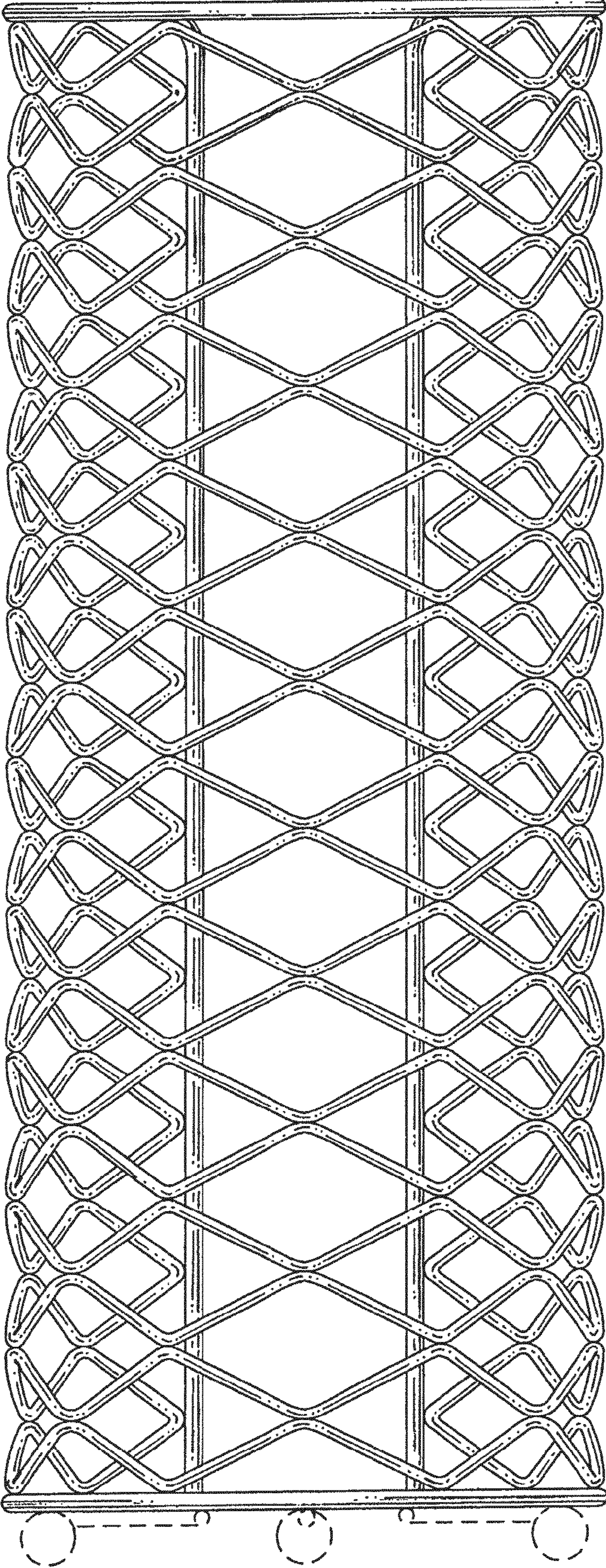


FIG. 4