

US00D660624S

(12) **United States Design Patent**
Ogawa

(10) **Patent No.:** **US D660,624 S**

(45) **Date of Patent:** **** May 29, 2012**

(54) **PORTION OF A KITCHEN COUNTER**

EM	000922653-0005	5/2008
EM	000922653-0006	5/2008
EM	000922653-0001	2/2009

(76) Inventor: **Hirohisa Ogawa**, Zushi (JP)

(**) Term: **14 Years**

(21) Appl. No.: **29/367,412**

(22) Filed: **Aug. 6, 2010**

(30) **Foreign Application Priority Data**

Feb. 12, 2010	(JP)	2010-003261
Feb. 12, 2010	(JP)	2010-003262
Feb. 12, 2010	(JP)	2010-003263

(51) **LOC (9) Cl.** **06-06**

(52) **U.S. Cl.** **D6/511**

(58) **Field of Classification Search** D6/511,
D6/495, 492, 429-431, 406.3, 480-489;
108/150, 152, 153.1, 157.1, 161, 43; D7/698;
D21/397, 484; 248/188, 188.1, 188.8; 126/211;
414/12

See application file for complete search history.

(56) **References Cited**

U.S. PATENT DOCUMENTS

D207,713	S *	5/1967	Sullivan	D6/511
D401,791	S *	12/1998	Schwab	D6/486
D610,380	S *	2/2010	Momeny	D6/511
D620,731	S	8/2010	Ogawa		
D626,361	S	11/2010	Ogawa		
D627,997	S *	11/2010	Ogawa	D6/511
2007/0169770	A1 *	7/2007	Kuwamura	126/211
2009/0180843	A1 *	7/2009	Jackson et al.	414/12

FOREIGN PATENT DOCUMENTS

EM	000922653-0002	5/2008
EM	000922653-0003	5/2008
EM	000922653-0004	5/2008

OTHER PUBLICATIONS

U.S. Appl. No. 29/359,823, filed Apr. 15, 2010, Ogawa.

* cited by examiner

Primary Examiner — Philip S Hyder

Assistant Examiner — Sydney Buffalow

(74) *Attorney, Agent, or Firm* — Fitch Even Tabin & Flannery, LLP

(57) **CLAIM**

I claim the ornamental design for a portion of a kitchen counter, as shown and described.

DESCRIPTION

FIG. 1 is a perspective view of a portion of a kitchen counter, showing my new design;

FIG. 2 is a front elevational view thereof;

FIG. 3 is a rear elevational view thereof;

FIG. 4 is a top plan view thereof;

FIG. 5 is a bottom plan view thereof;

FIG. 6 is a right side elevational view thereof;

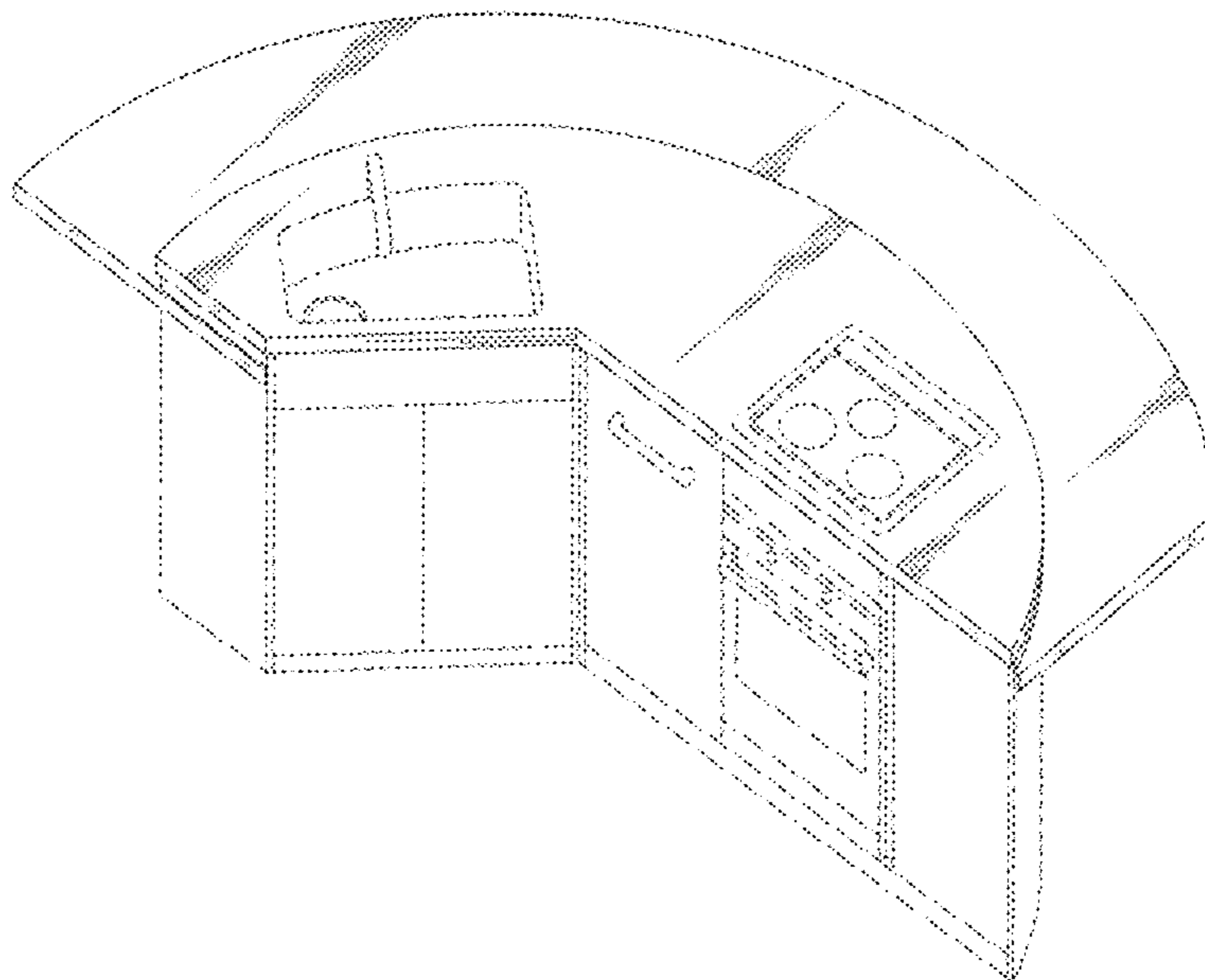
FIG. 7 is a left side elevational view thereof;

FIG. 8 is a cross sectional view thereof, taken along line 8-8 in FIG. 2; and,

FIG. 9 is a cross sectional view thereof, taken along line 9-9 in FIG. 2.

The broken lines are for illustrative purposes only and form no part of the claimed design.

1 Claim, 7 Drawing Sheets



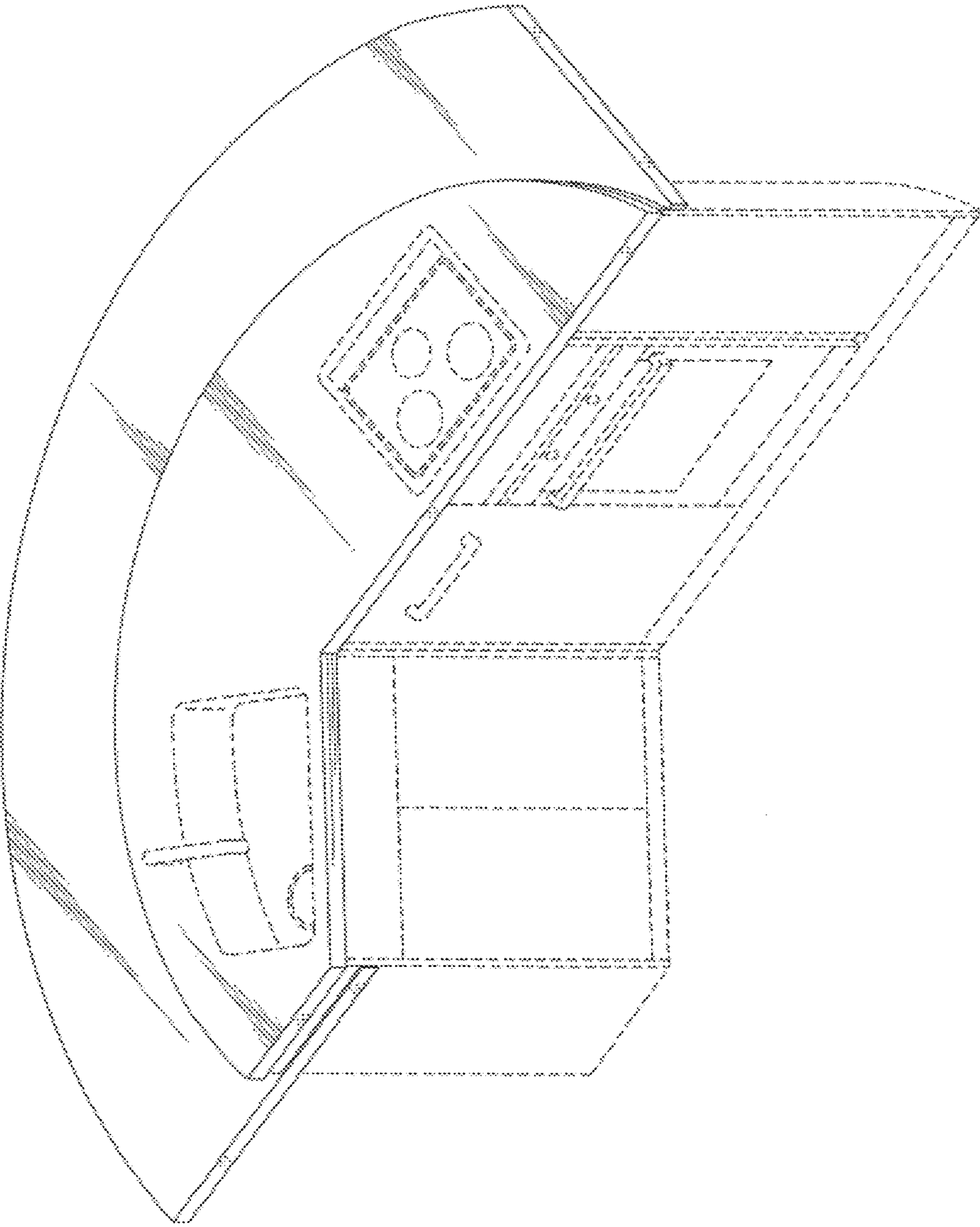


FIG.1

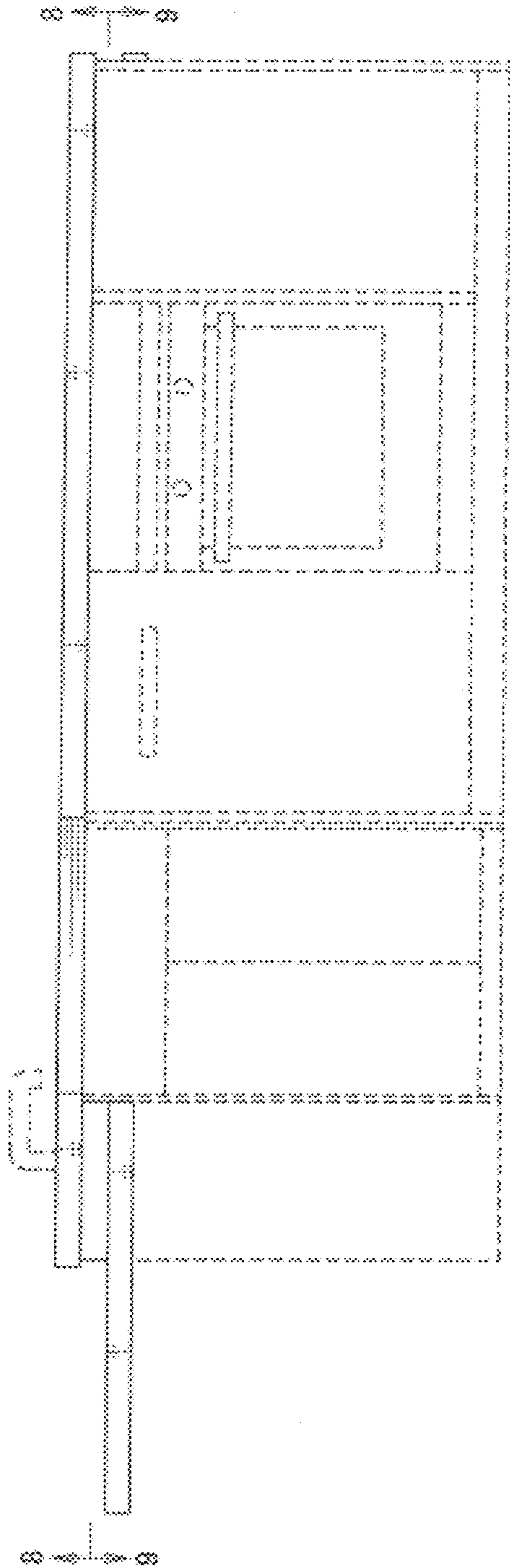


FIG. 2

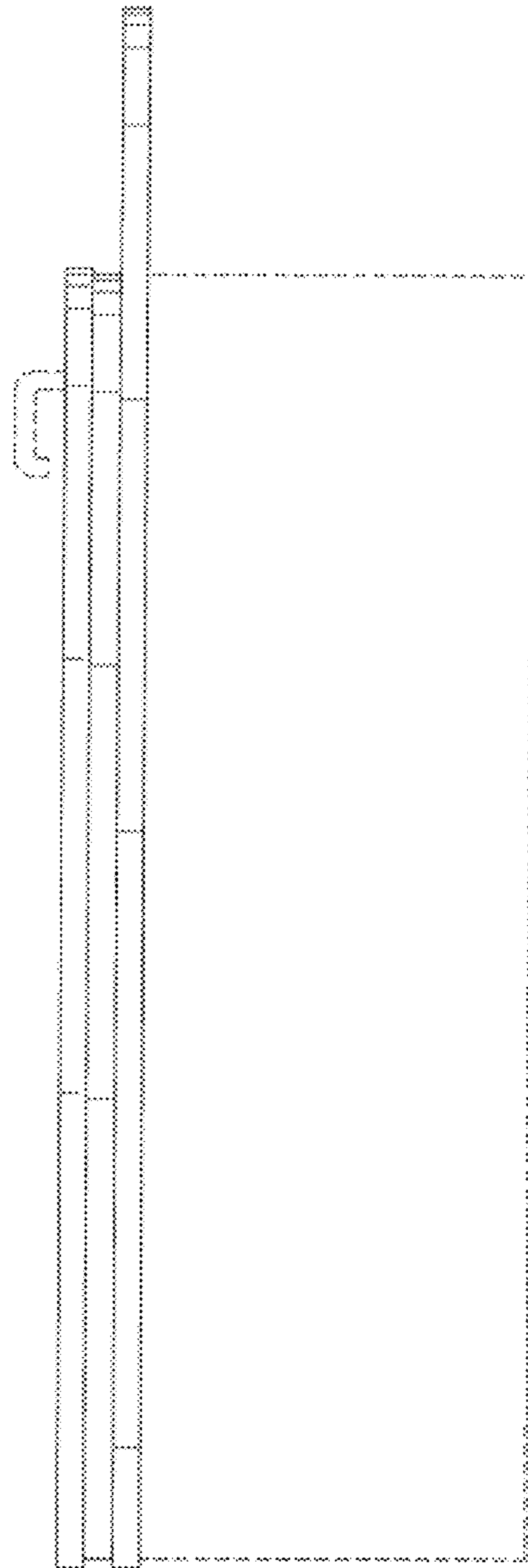


FIG. 3

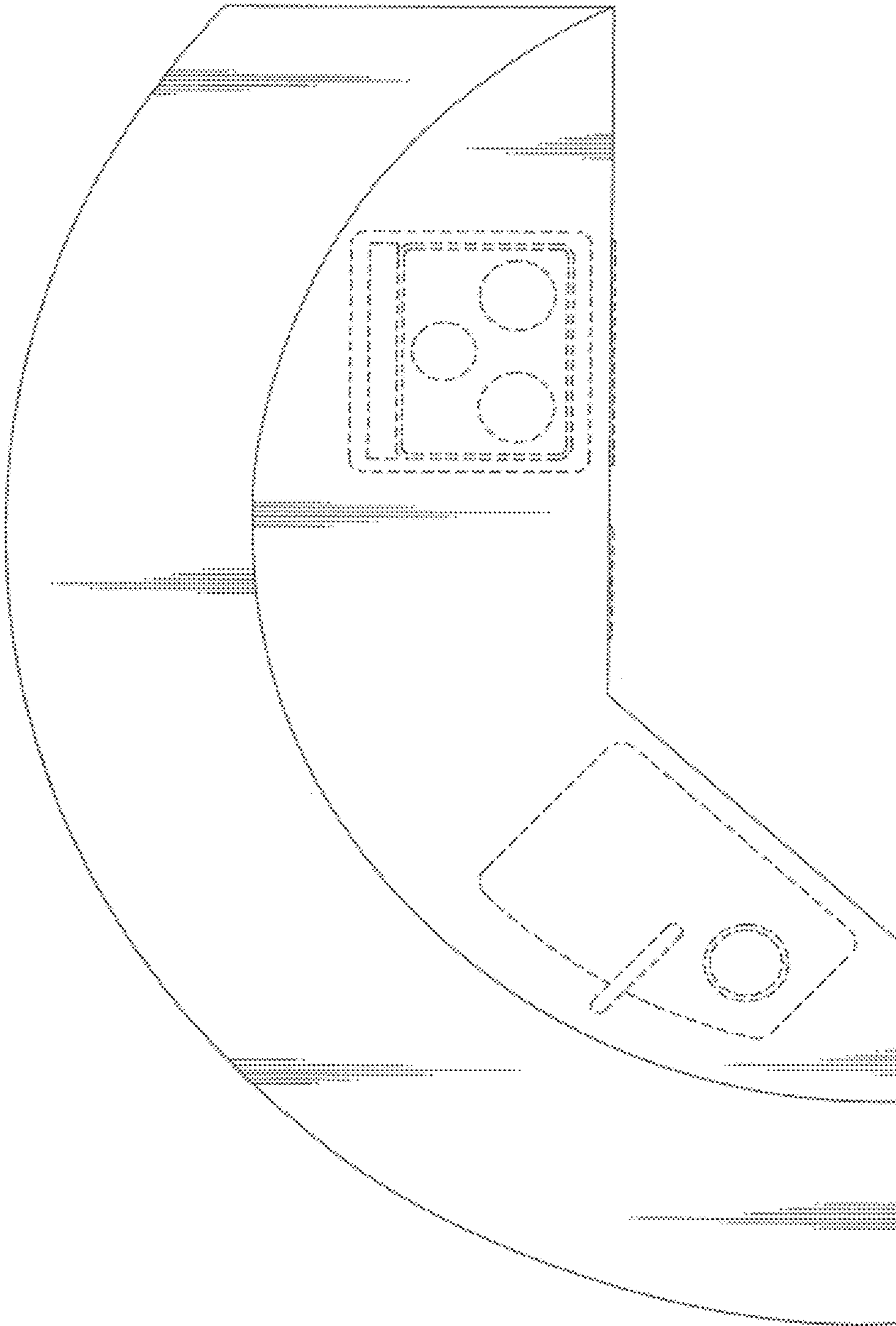


FIG. 4

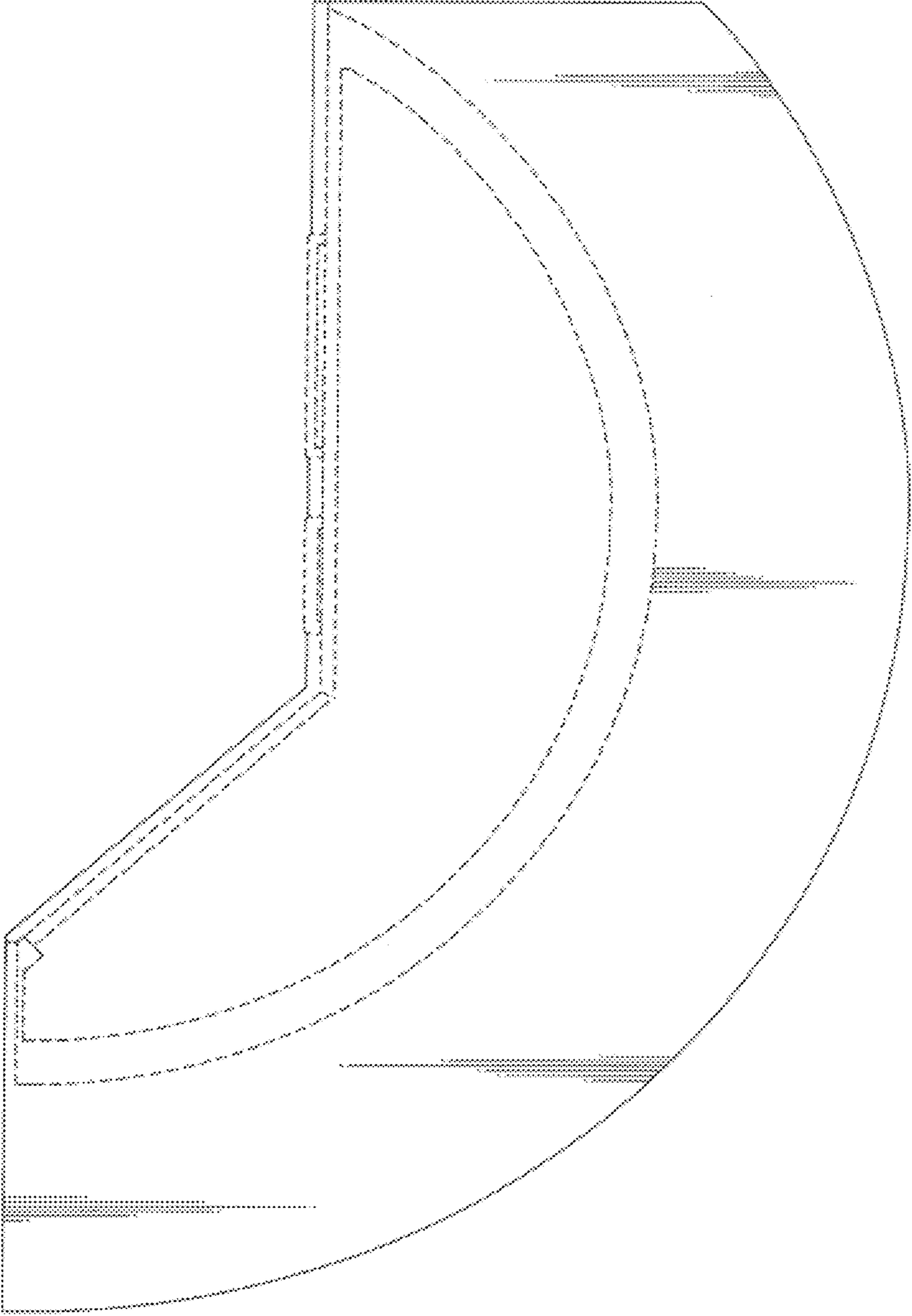


FIG. 5

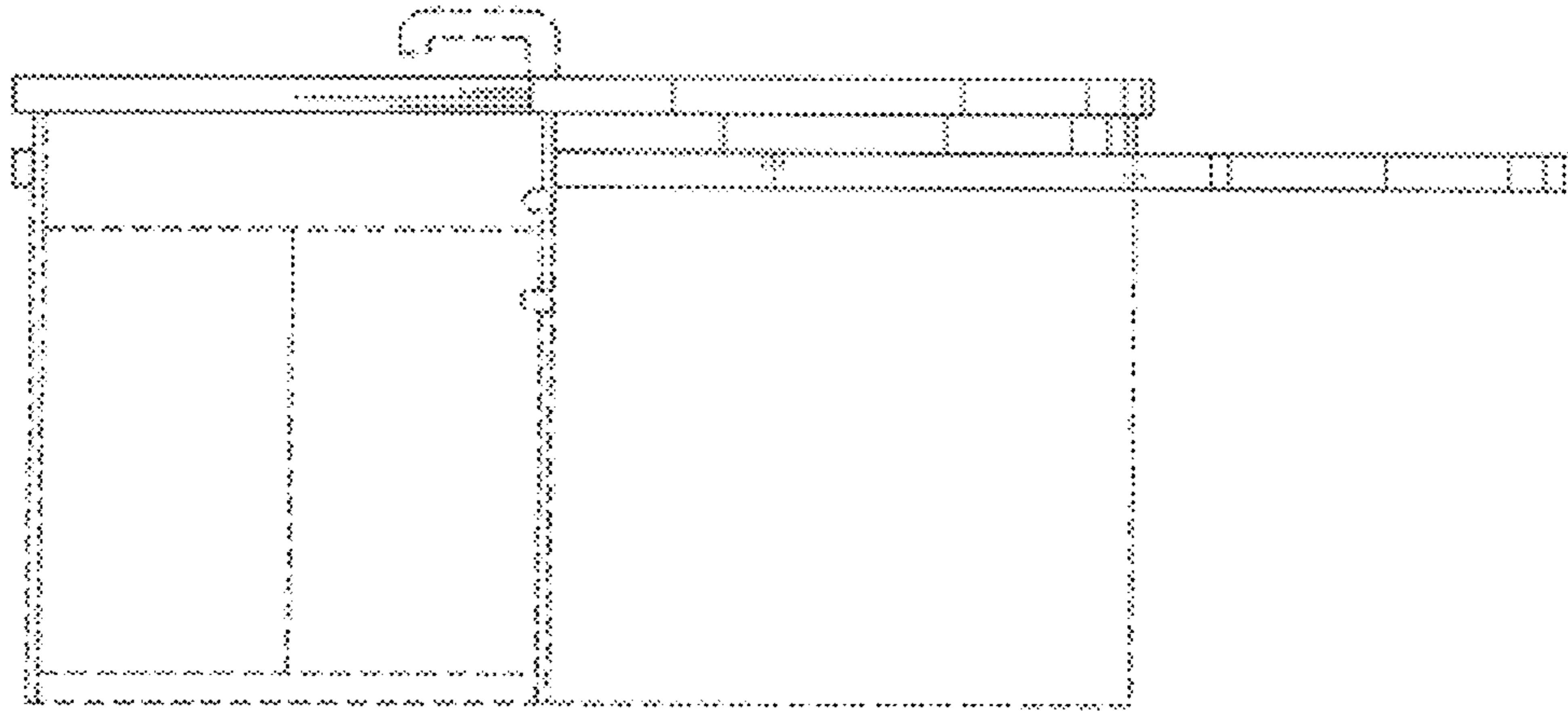


FIG. 6

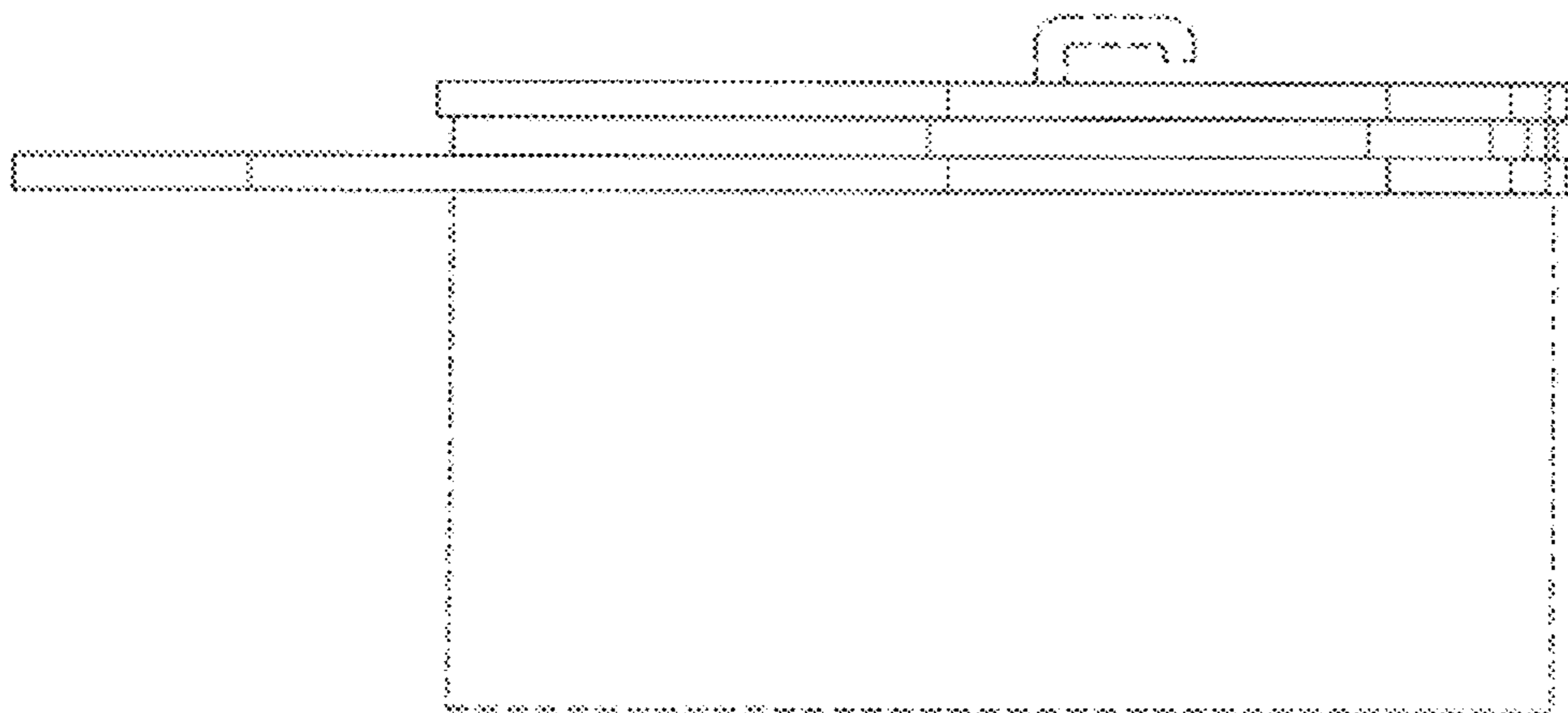


FIG. 7

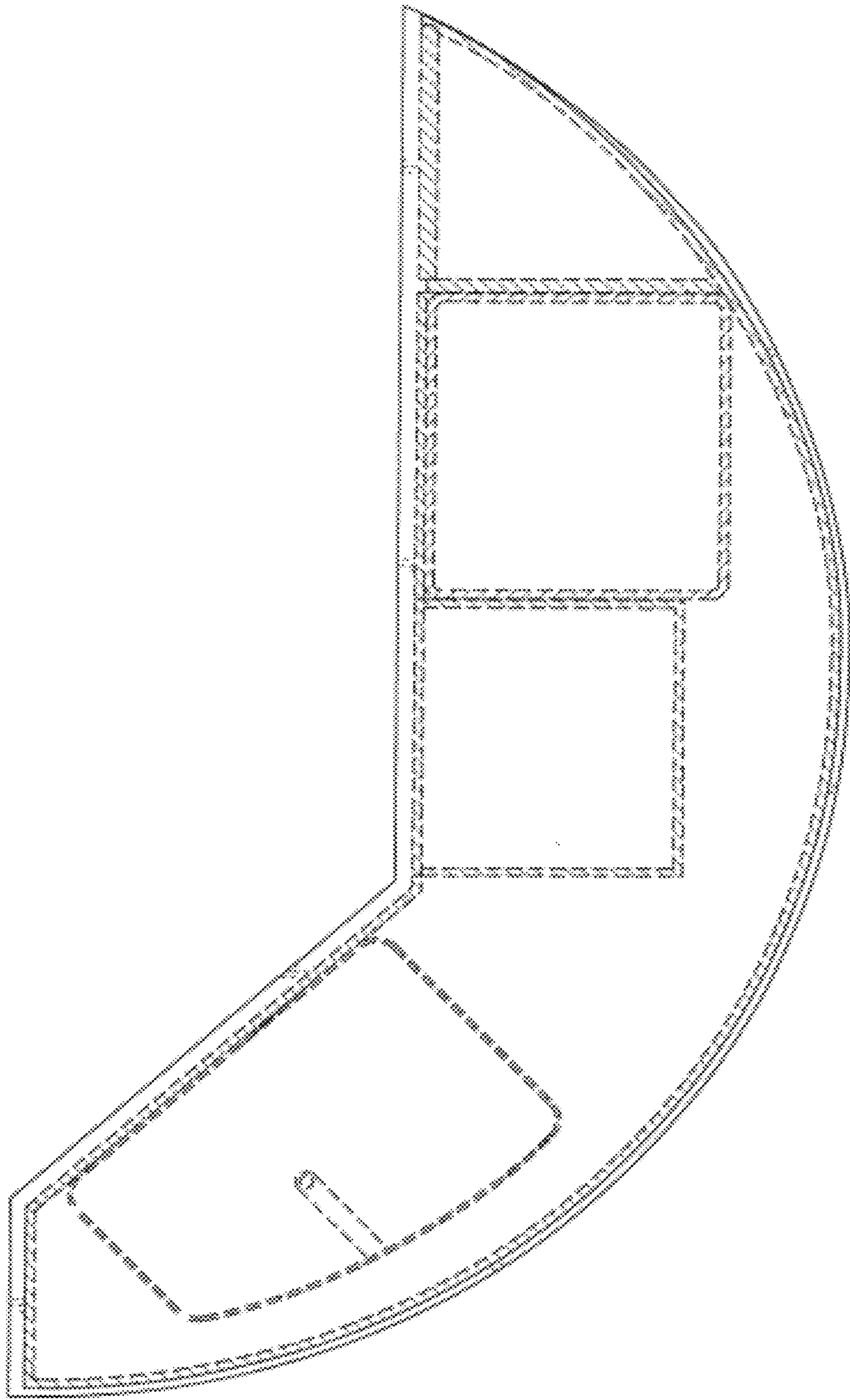


FIG. 8

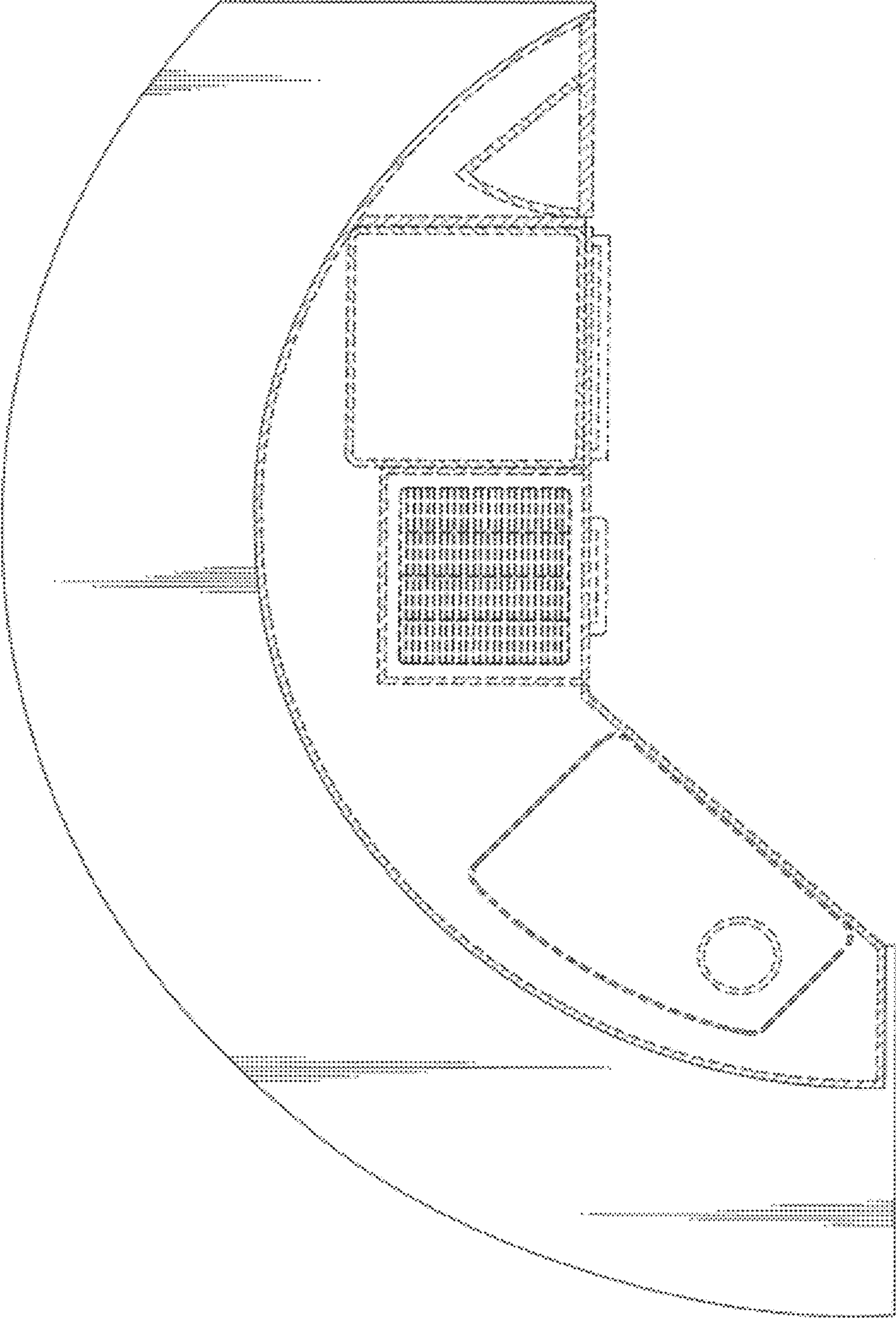


FIG. 9