

US00D660618S

(12) **United States Design Patent**
Chinuki et al.

(10) **Patent No.:** **US D660,618 S**

(45) **Date of Patent:** **** May 29, 2012**

(54) **COMPUTER TABLE**

(75) Inventors: **Motonari Chinuki**, Inzai (JP); **Gen Minagi**, Tokyo (JP); **Maiko Kawarai**, Tokyo (JP)

(73) Assignee: **The Bank of Tokyo-Mitsubishi UFJ, Ltd.**, Tokyo (JP)

(**) Term: **14 Years**

(21) Appl. No.: **29/357,155**

(22) Filed: **Mar. 8, 2010**

(30) **Foreign Application Priority Data**

Oct. 6, 2009 (JP) 2009-023385

(51) **LOC (9) Cl.** **06-03**

(52) **U.S. Cl.** **D6/487; D6/426**

(58) **Field of Classification Search** D6/480-489,
D6/495-499, 429, 426; 108/150, 50.01,
108/50.02, 155, 153.1, 156, 157.13, 161,
108/64, 93, 124; 248/188, 188.1

See application file for complete search history.

(56) **References Cited**

U.S. PATENT DOCUMENTS

D318,386 S * 7/1991 Polidoros D6/429
D474,624 S * 5/2003 Ross et al. D6/426
D520,267 S * 5/2006 Berger et al. D6/474

2003/0213415 A1* 11/2003 Ross et al. 108/50.02
2011/0094422 A1* 4/2011 Chinuki et al. 108/50.02

* cited by examiner

Primary Examiner — Janice Seeger

(74) *Attorney, Agent, or Firm* — Banner & Witcoff, Ltd.

(57) **CLAIM**

The ornamental design for a computer table, as shown and described.

DESCRIPTION

FIG. 1 is a front elevational view of a computer table showing our new design;

FIG. 2 is a rear elevational view thereof;

FIG. 3 is a top plan view thereof;

FIG. 4 is a bottom view thereof;

FIG. 5 is a left side elevational view thereof;

FIG. 6 is a right side elevational view thereof;

FIG. 7 is a perspective top view thereof;

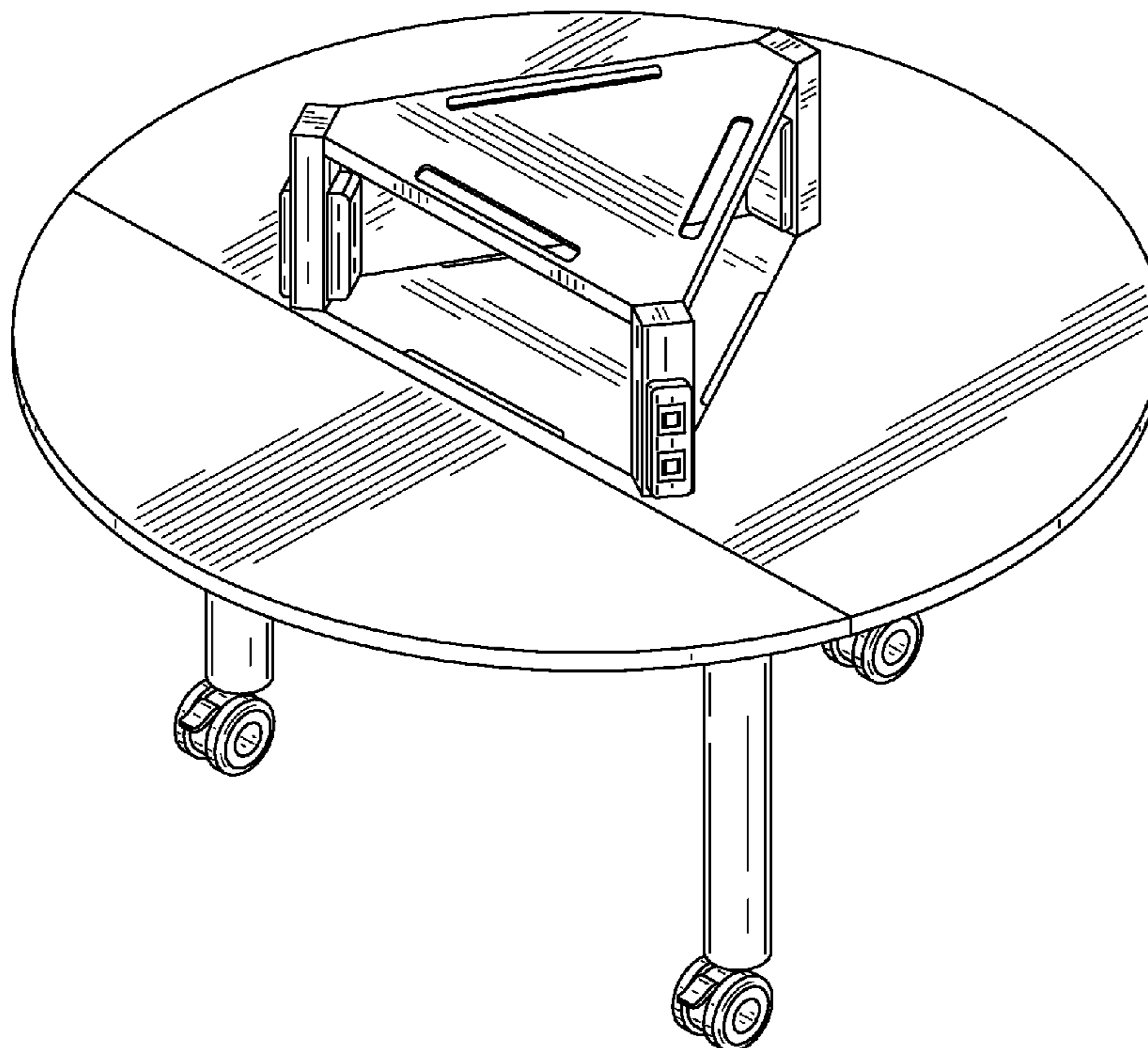
FIG. 8 is a perspective bottom view thereof;

FIG. 9 is a top perspective view of the computer table of FIGS. 1-8 shown with a portion of the table surface shown in an alternative position, and with disclaimed computer monitors positioned on the table; and,

FIG. 10 is a rear view of the computer table in the alternative state shown in FIG. 9.

The broken line showing of the computer monitors and other structure in FIGS. 9 and 10 is for environmental purposes only and forms no part of the claimed design.

1 Claim, 10 Drawing Sheets



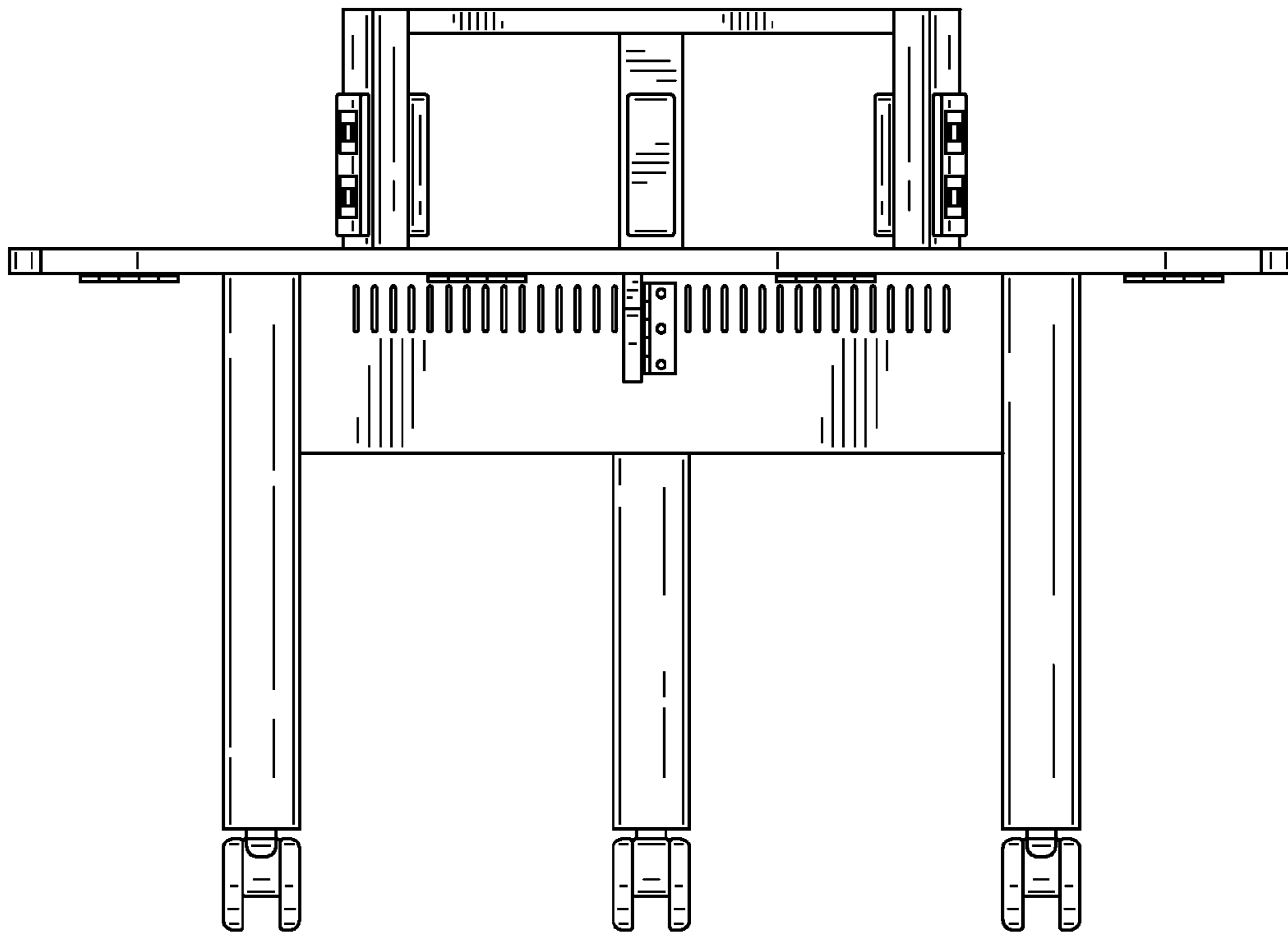


FIG. 1

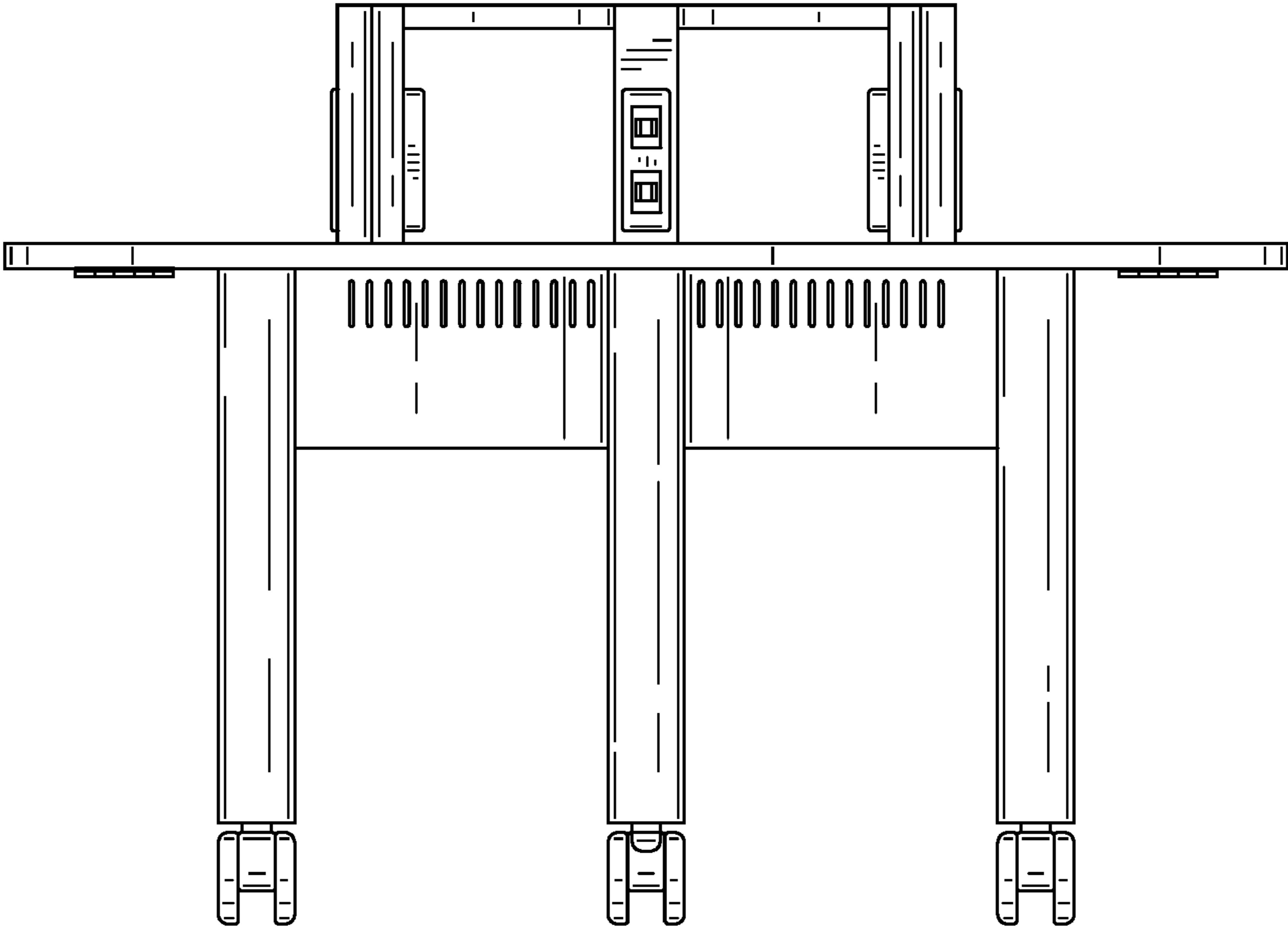


FIG. 2

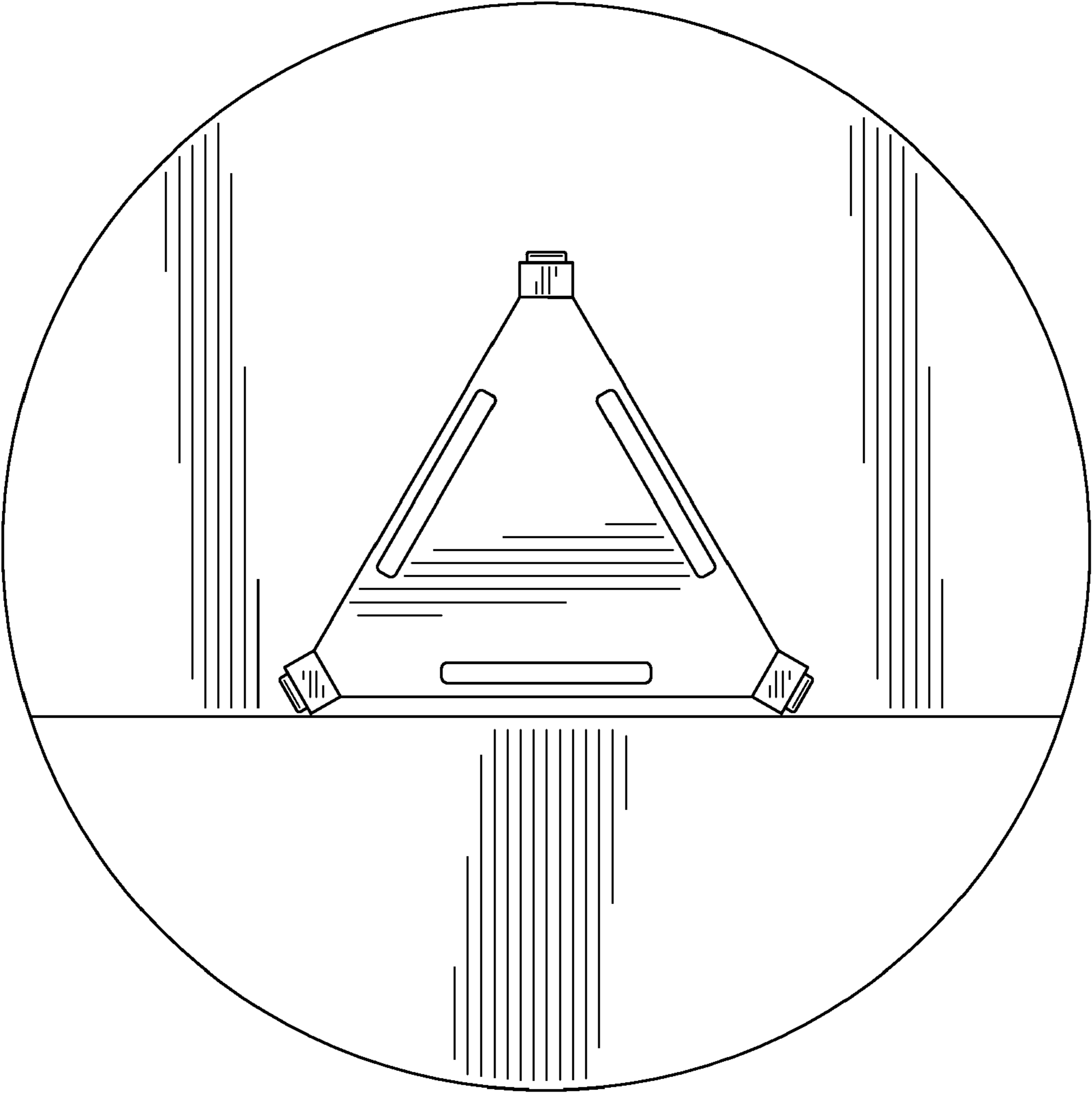


FIG. 3

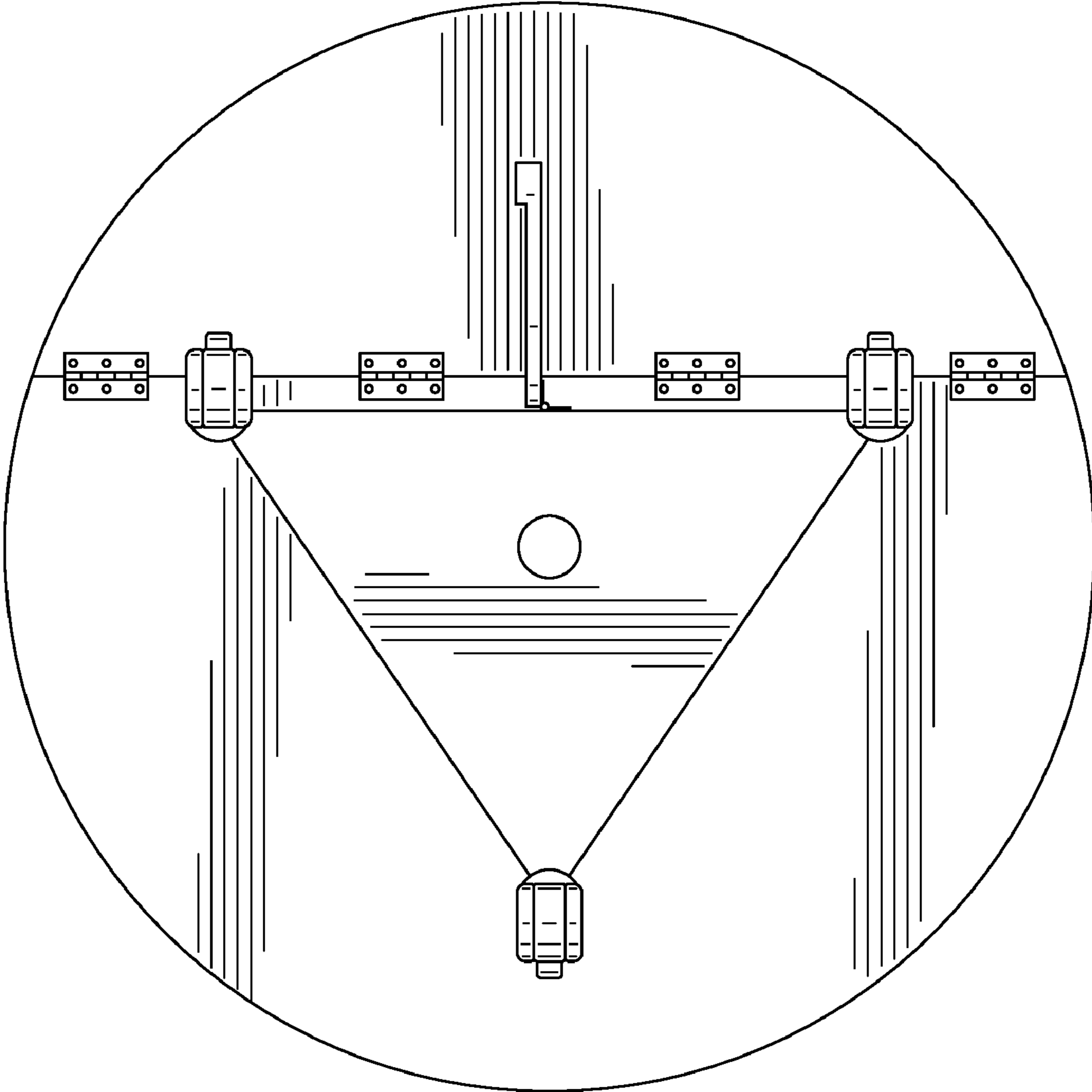


FIG. 4

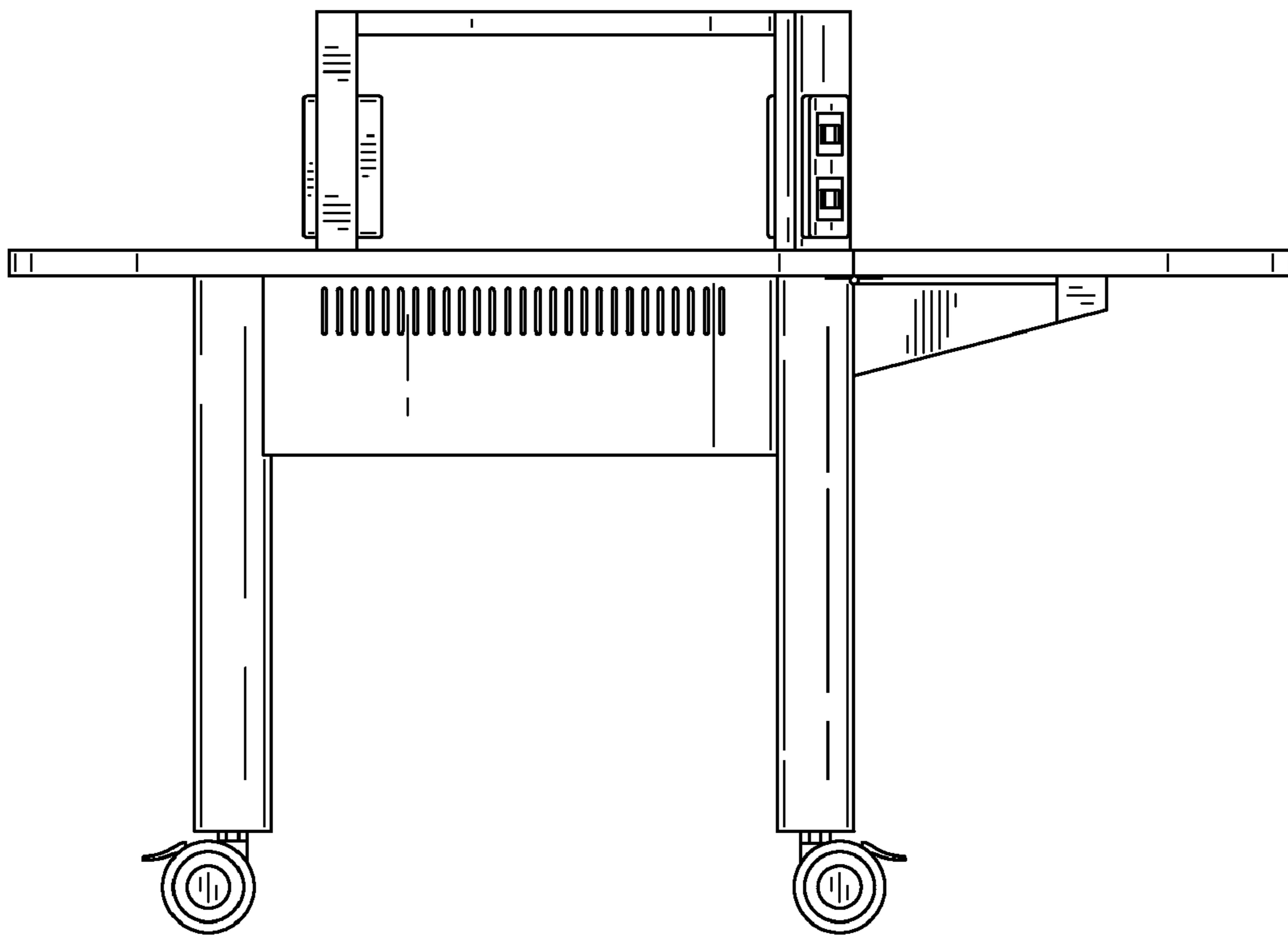


FIG. 5

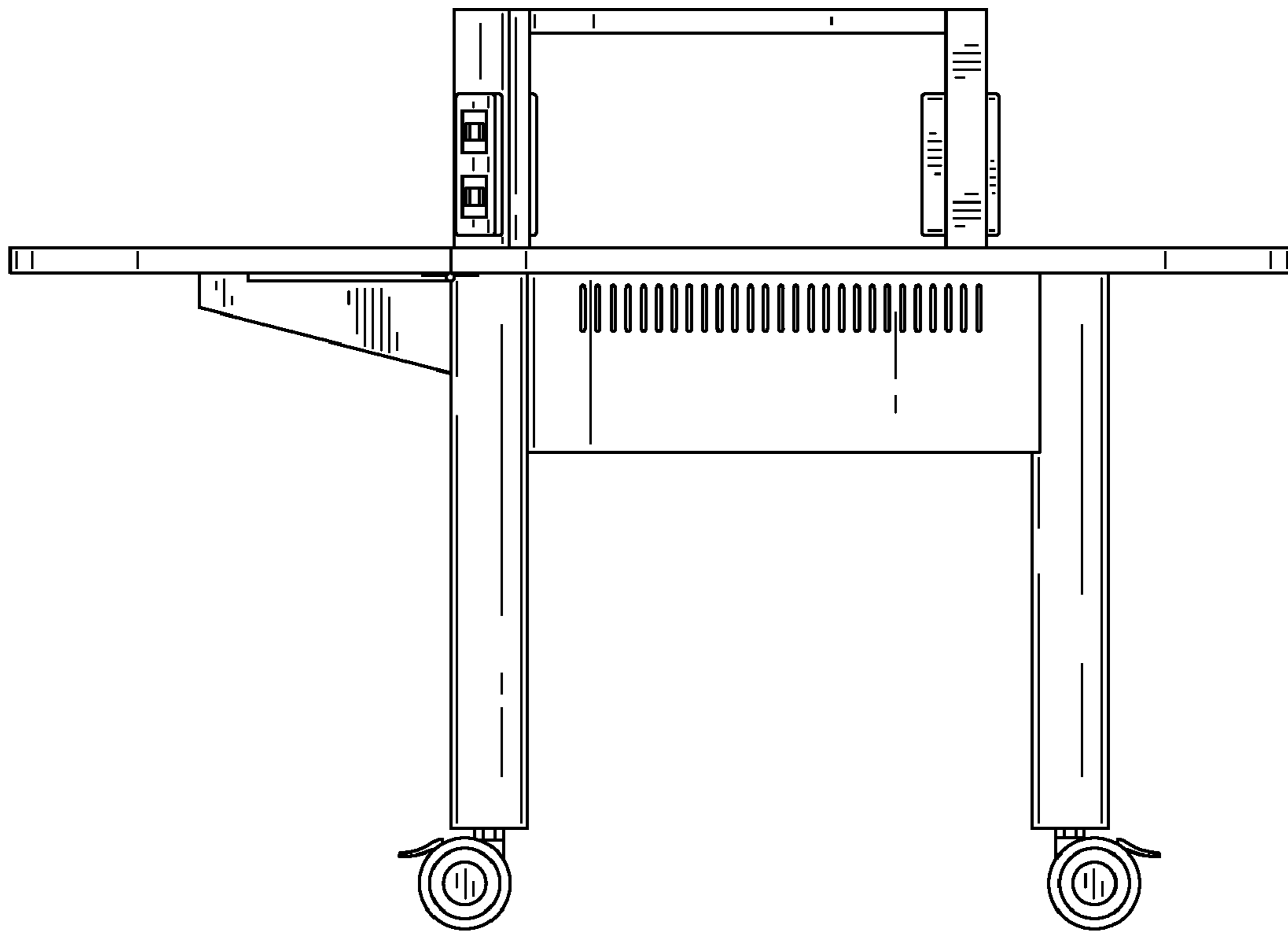


FIG. 6

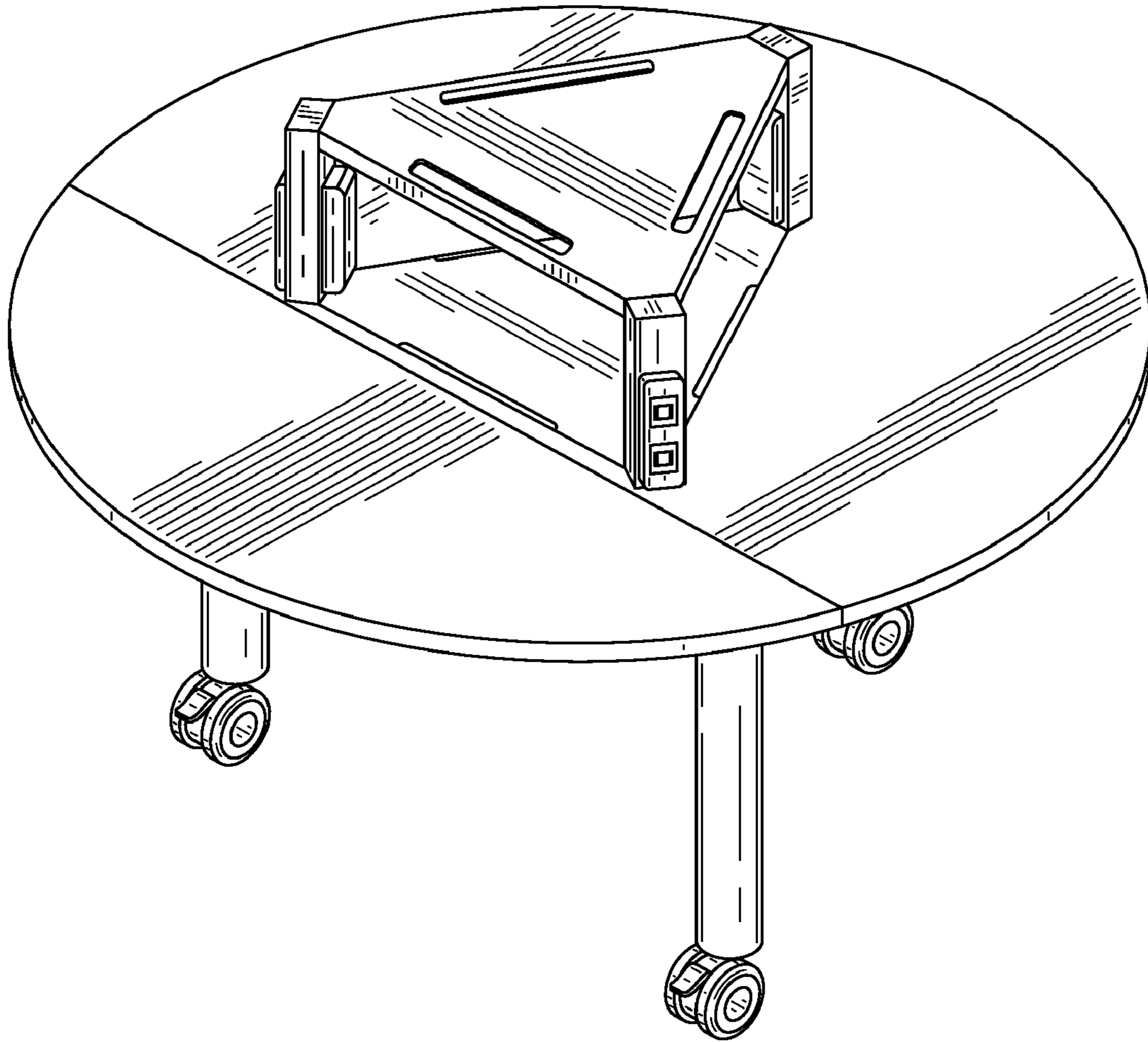


FIG. 7

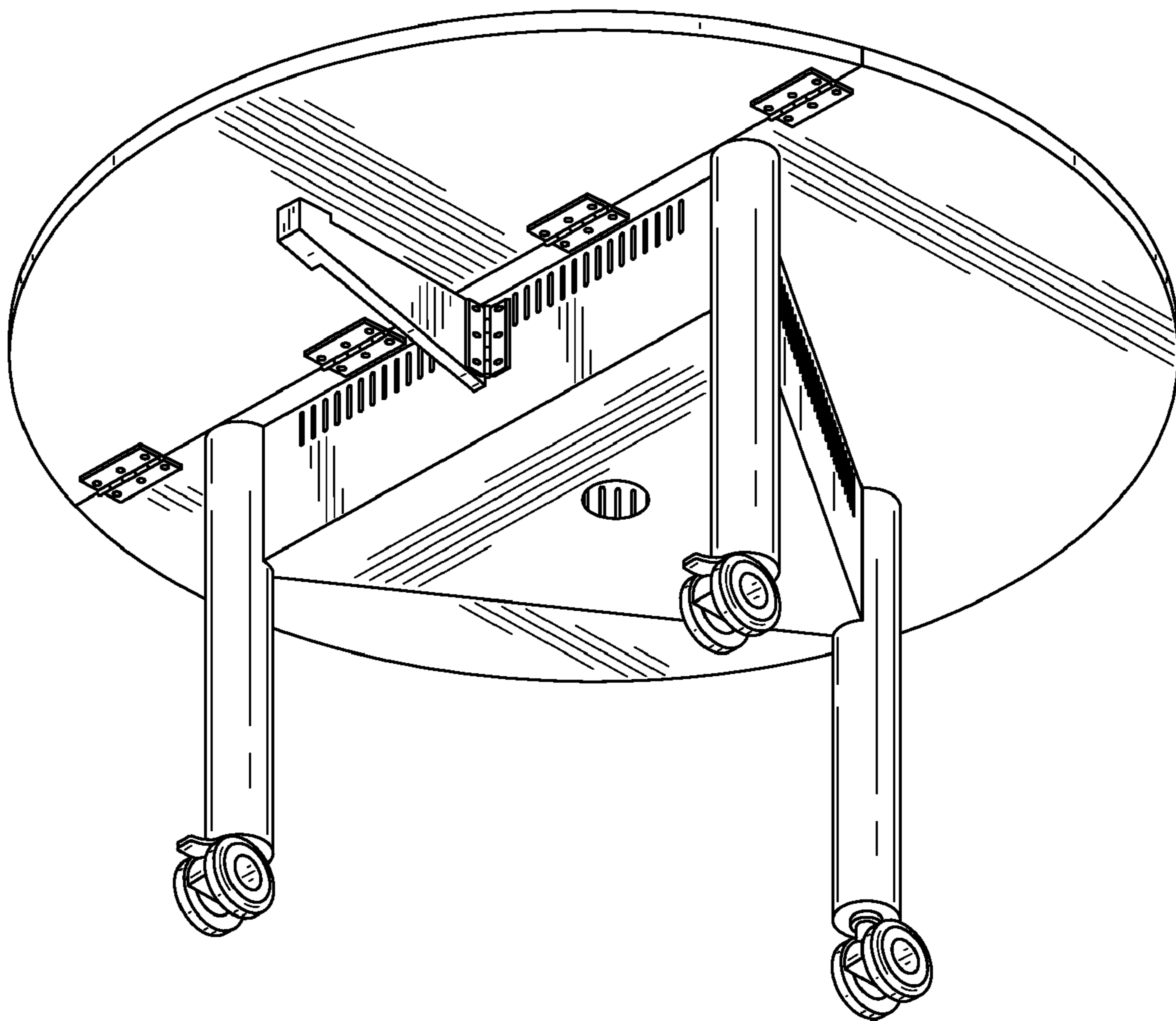


FIG. 8

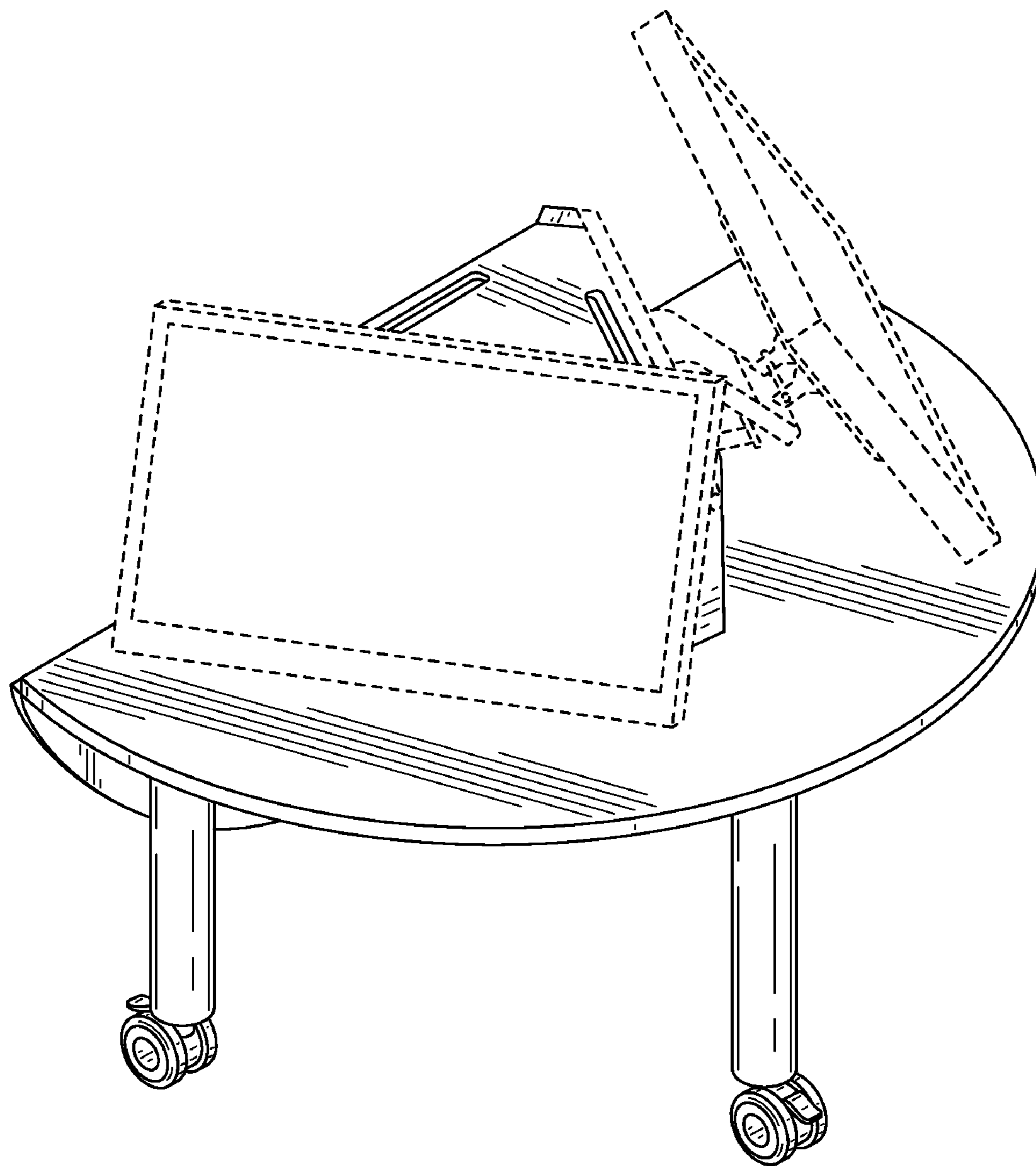


FIG. 9

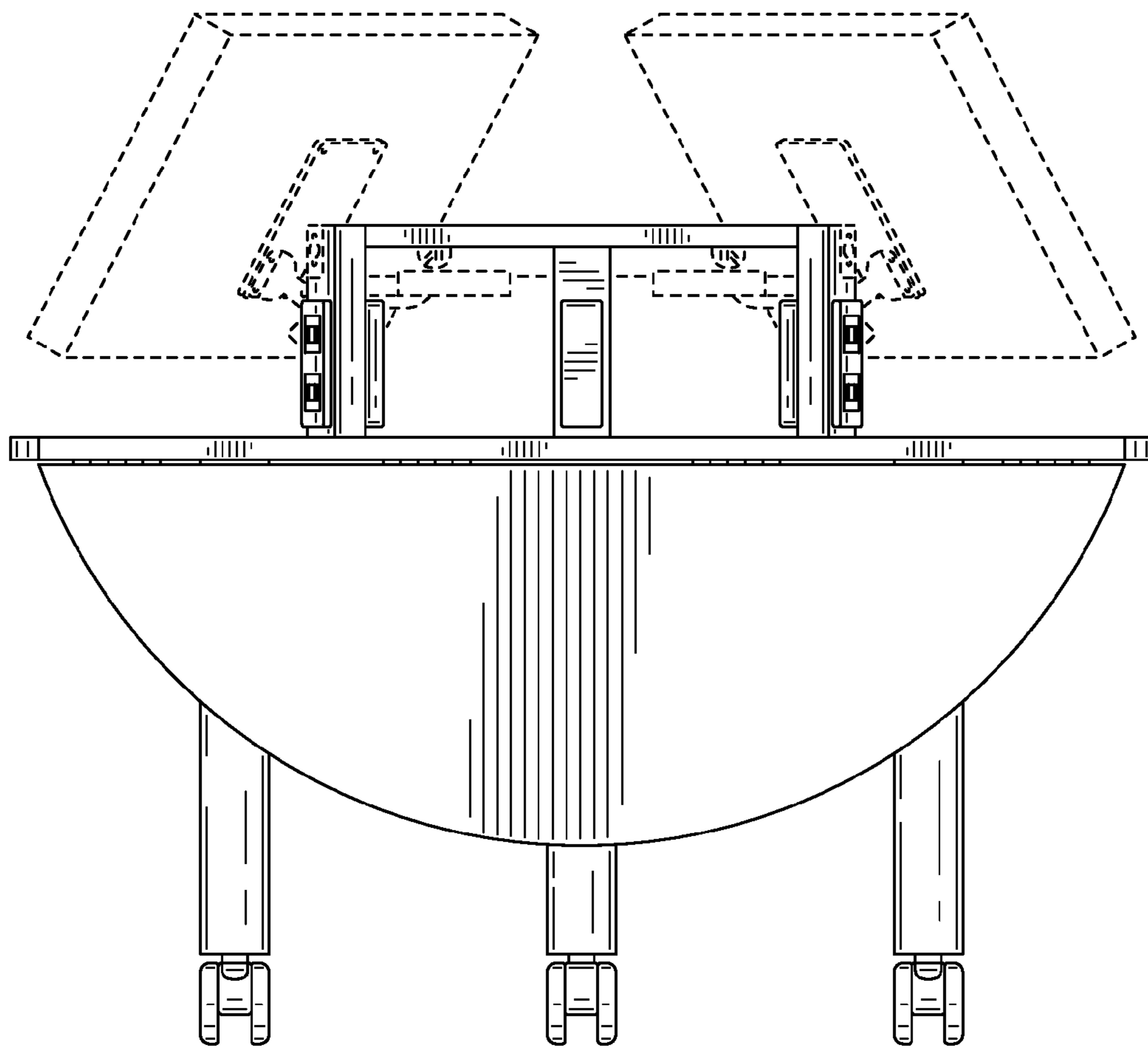


FIG. 10