

US00D660616S

(12) **United States Design Patent**
Kitagawara

(10) **Patent No.:** **US D660,616 S**

(45) **Date of Patent:** **** May 29, 2012**

(54) **TABLE**

D575,081 S * 8/2008 Miyakawa D6/484
D590,185 S * 4/2009 Karashima D6/484

(75) Inventor: **Atsushi Kitagawara**, Tokyo (JP)

* cited by examiner

(73) Assignee: **Okamura Corporation**, Kanagawa (JP)

Primary Examiner — Janice Seeger

(**) Term: **14 Years**

(74) *Attorney, Agent, or Firm* — Sughrue Mion, PLLC

(21) Appl. No.: **29/391,168**

(22) Filed: **May 4, 2011**

(57) **CLAIM**

The ornamental design for a table, as shown and described.

(30) **Foreign Application Priority Data**

Nov. 8, 2010 (JP) 2010-026804

(51) **LOC (9) Cl.** **06-03**

(52) **U.S. Cl.** **D6/480**

(58) **Field of Classification Search** D6/480-489,
D6/495-499, 429, 511; 108/150, 153.1,
108/156, 157.1, 161, 144.11, 147.19; 248/188,
248/188.1, 188.7, 188.8
See application file for complete search history.

DESCRIPTION

FIG. 1 is a perspective view of a table.

FIG. 2 is a front elevation view thereof. A rear elevation view, a left side elevation view and a right side elevation view are omitted because they are respectively identical to the front elevation view.

FIG. 3 is a top plan view thereof.

FIG. 4 is a bottom plan view thereof; and,

FIG. 5 is a cross sectional view thereof taken along Line 5-5 in FIG. 2.

(56) **References Cited**

U.S. PATENT DOCUMENTS

D246,216 S * 11/1977 Heumann D6/484
D362,983 S * 10/1995 Magnusson D6/480
D448,216 S * 9/2001 Kolberg D6/484
D573,374 S * 7/2008 Vasileiou D6/484

1 Claim, 5 Drawing Sheets

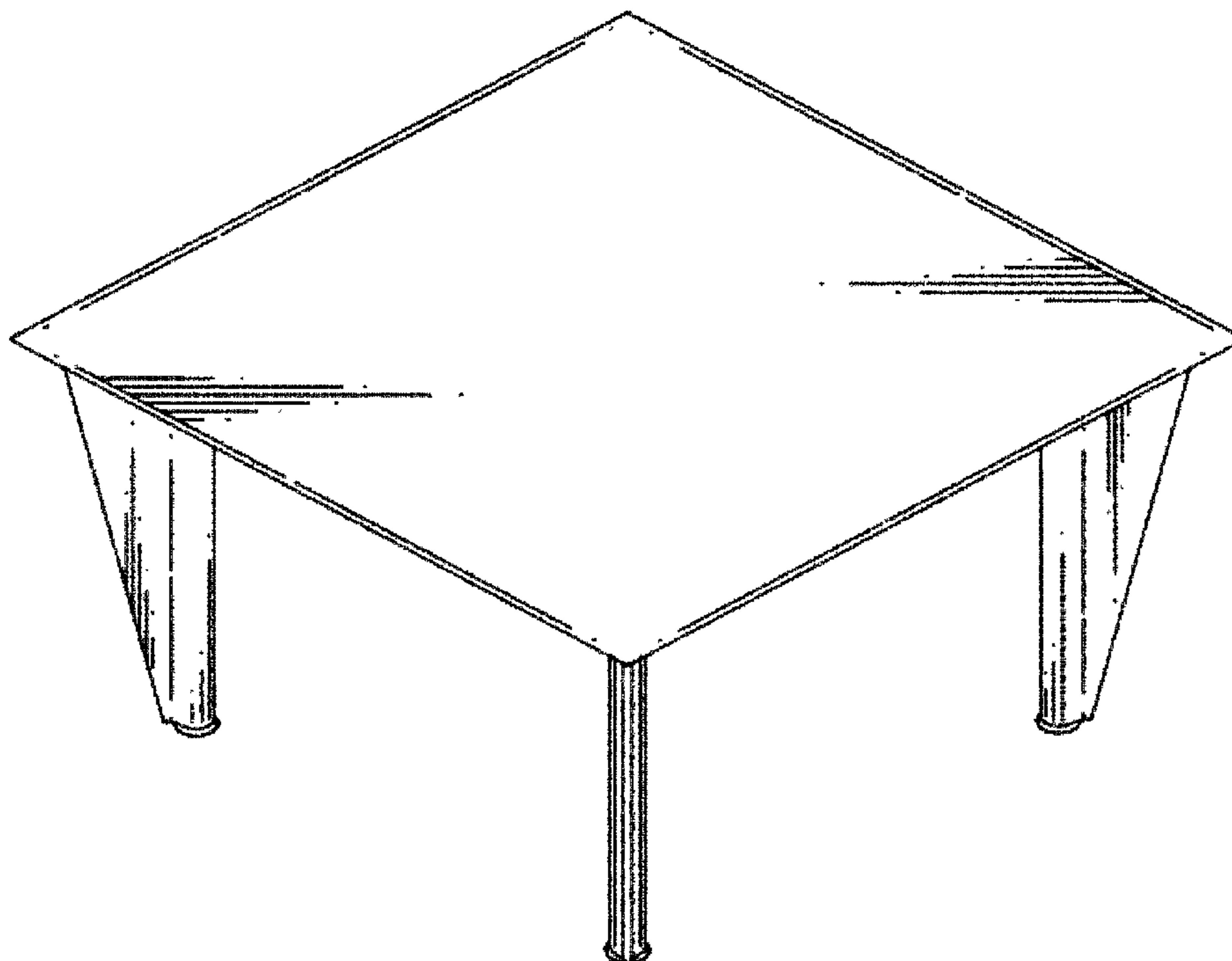


FIG. 1

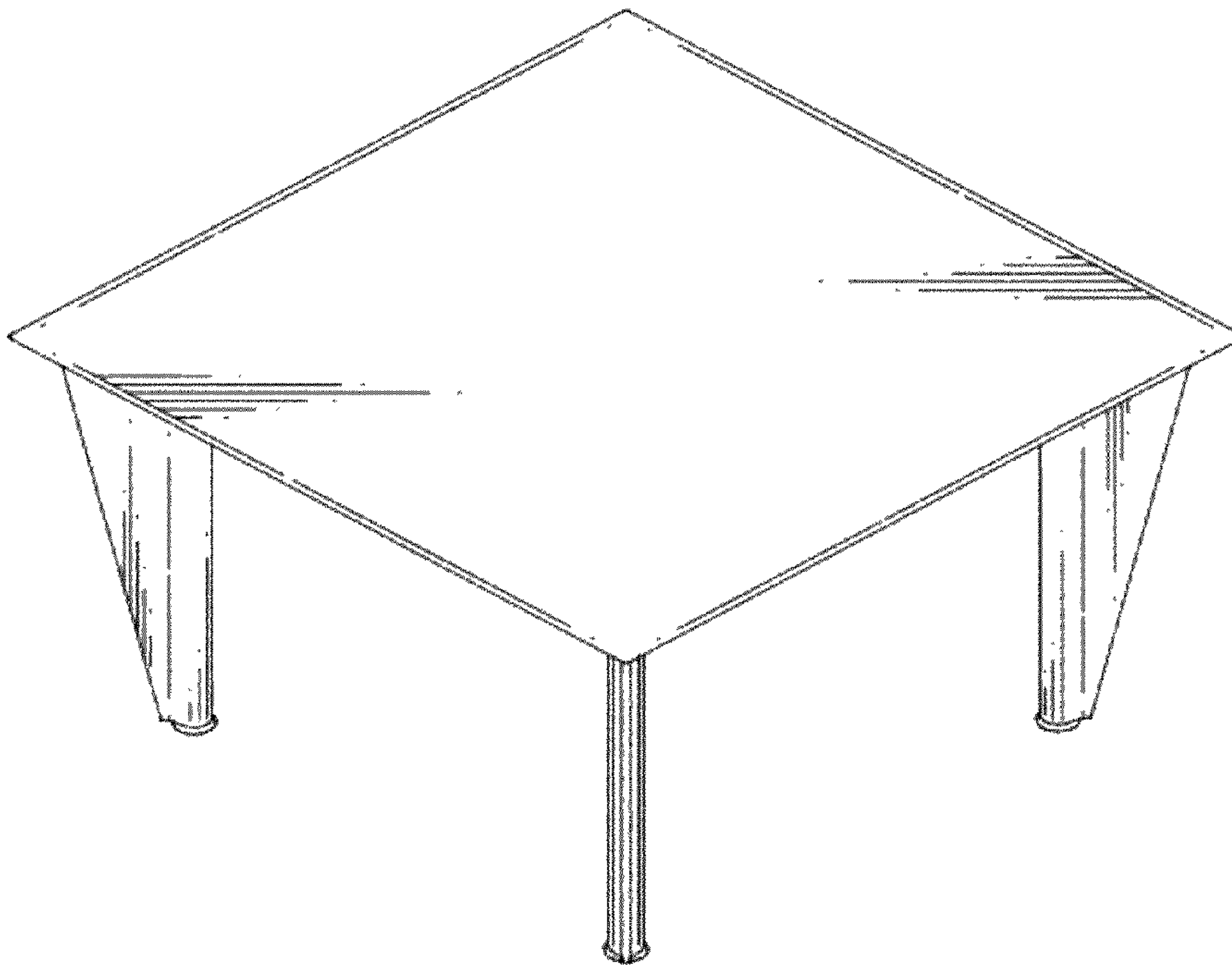


FIG. 2

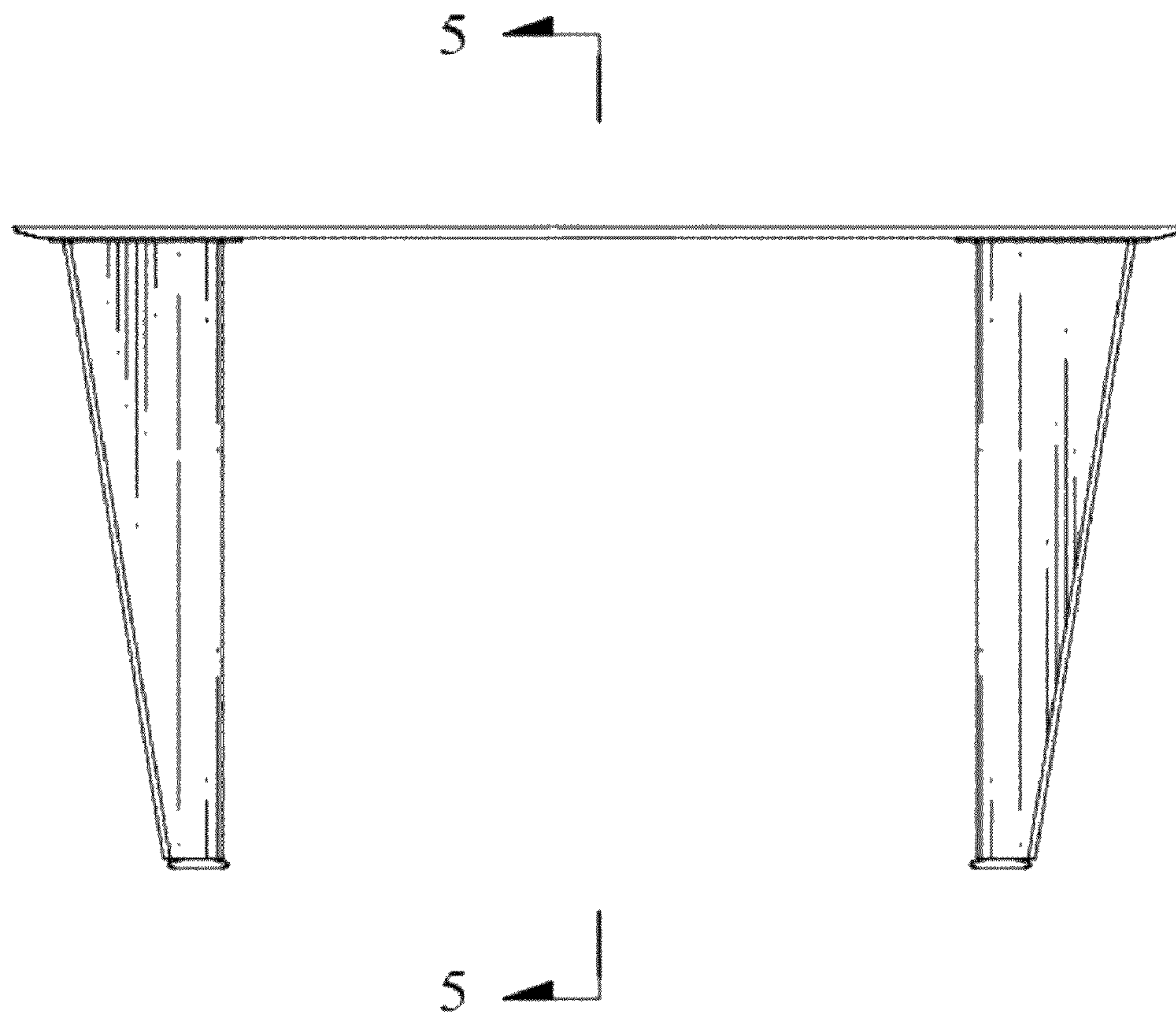


FIG. 3

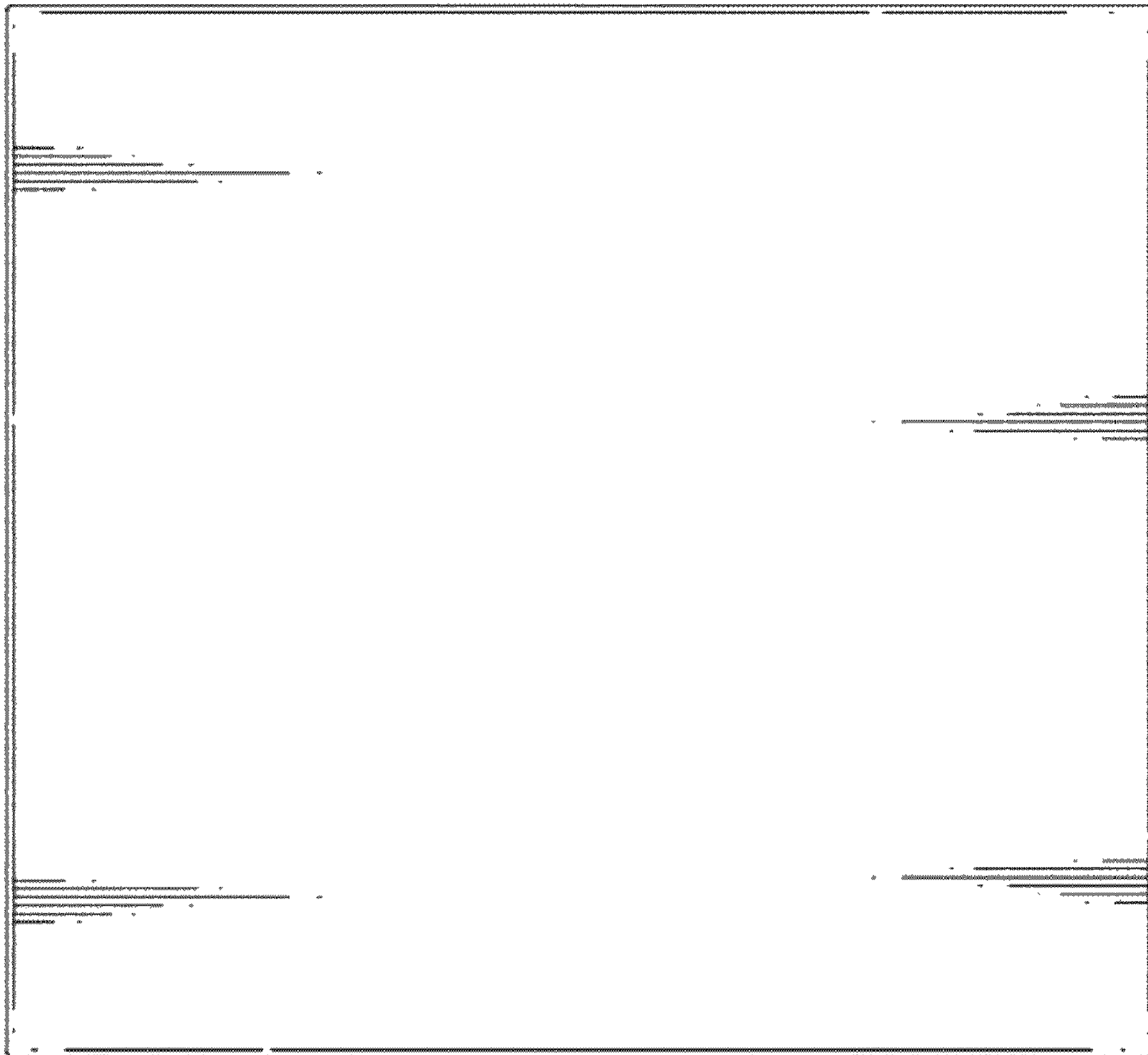


FIG. 4

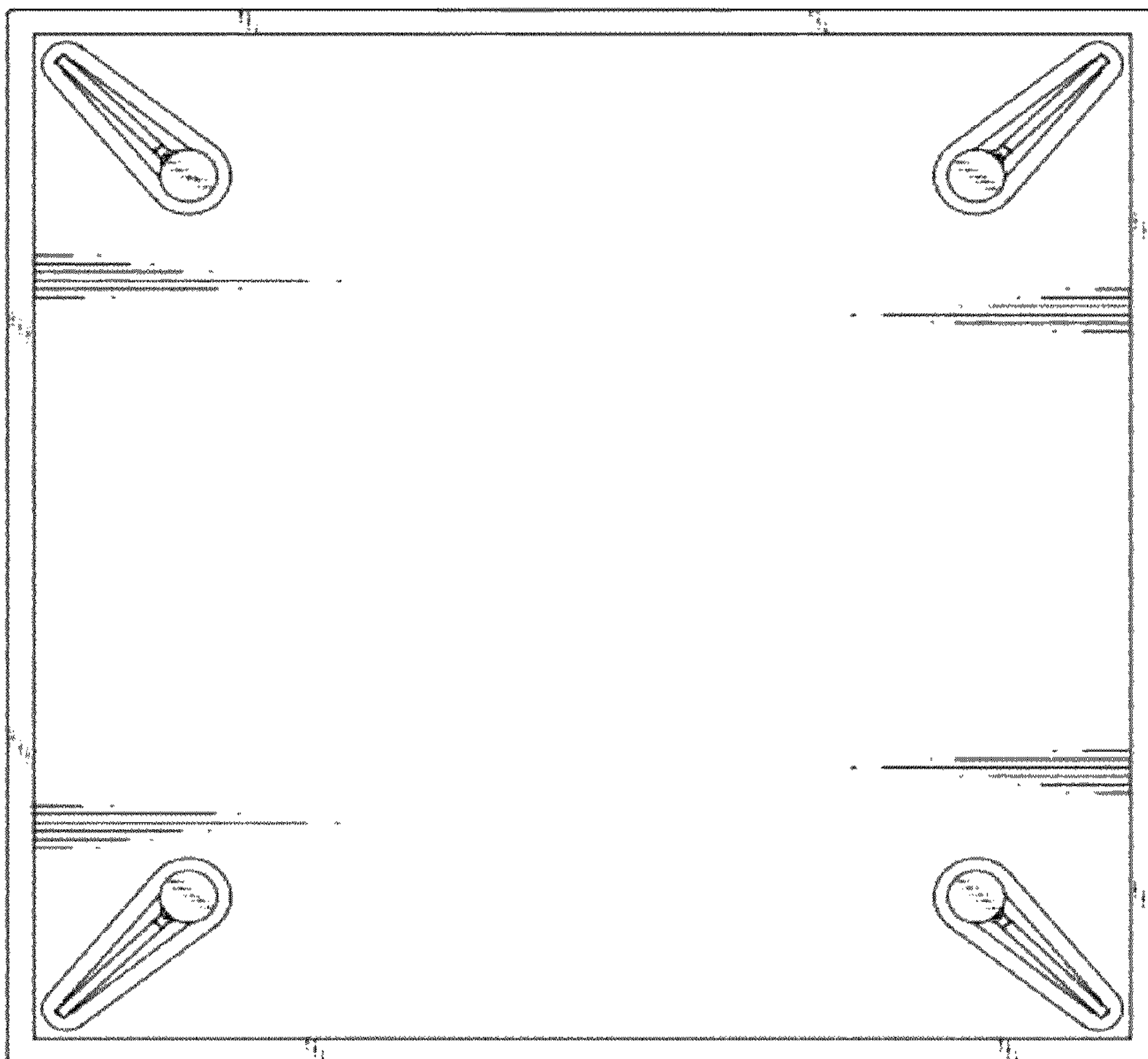


FIG. 5

