

US00D660615S

(12) **United States Design Patent**
Cadwell

(10) **Patent No.:** **US D660,615 S**

(45) **Date of Patent:** **** May 29, 2012**

(54) **RACK**

(75) Inventor: **Tanya Cadwell**, Kissimmee, FL (US)

(73) Assignee: **Tanya Cadwell**, Kissimmee, FL (US)

(**) Term: **14 Years**

(21) Appl. No.: **29/374,344**

(22) Filed: **Aug. 1, 2011**

(51) **LOC (9) Cl.** **06-06**

(52) **U.S. Cl.** **D6/473**

(58) **Field of Classification Search** D6/407,
D6/422-428, 417, 419, 449, 473; 206/387,
206/45, 23; D3/35; 211/40-43

See application file for complete search history.

D309,998 S	8/1990	Sumrell	
5,031,783 A	7/1991	Goudreau	
D322,724 S *	12/1991	Stravitz	D6/407
D323,591 S *	2/1992	Stravitz	D6/487
D348,366 S *	7/1994	Stravitz	D6/476
D358,508 S	5/1995	Levine	
D389,869 S *	1/1998	Stravitz	D19/75
D390,377 S *	2/1998	Whitehead et al.	D6/449
D393,961 S *	5/1998	Whitehead et al.	D6/464
D400,587 S *	11/1998	Stravitz	D19/75
5,871,105 A *	2/1999	Whitehead et al.	211/14
D451,705 S	12/2001	Rankin	
D543,730 S	6/2007	Bonaventura	

* cited by examiner

Primary Examiner — Kelley Donnelly

(57) **CLAIM**

The ornamental design for a rack, as shown and described.

DESCRIPTION

FIG. 1 is a left perspective view of a rack showing the new design;

FIG. 2 is a front elevation view thereof;

FIG. 3 is a rear elevation view of the rack;

FIG. 4 is a left side elevation view thereof; a right side being a mirror image of the left side view;

FIG. 5 is a top plan view thereof; and,

FIG. 6 is a bottom plan view thereof of the rack.

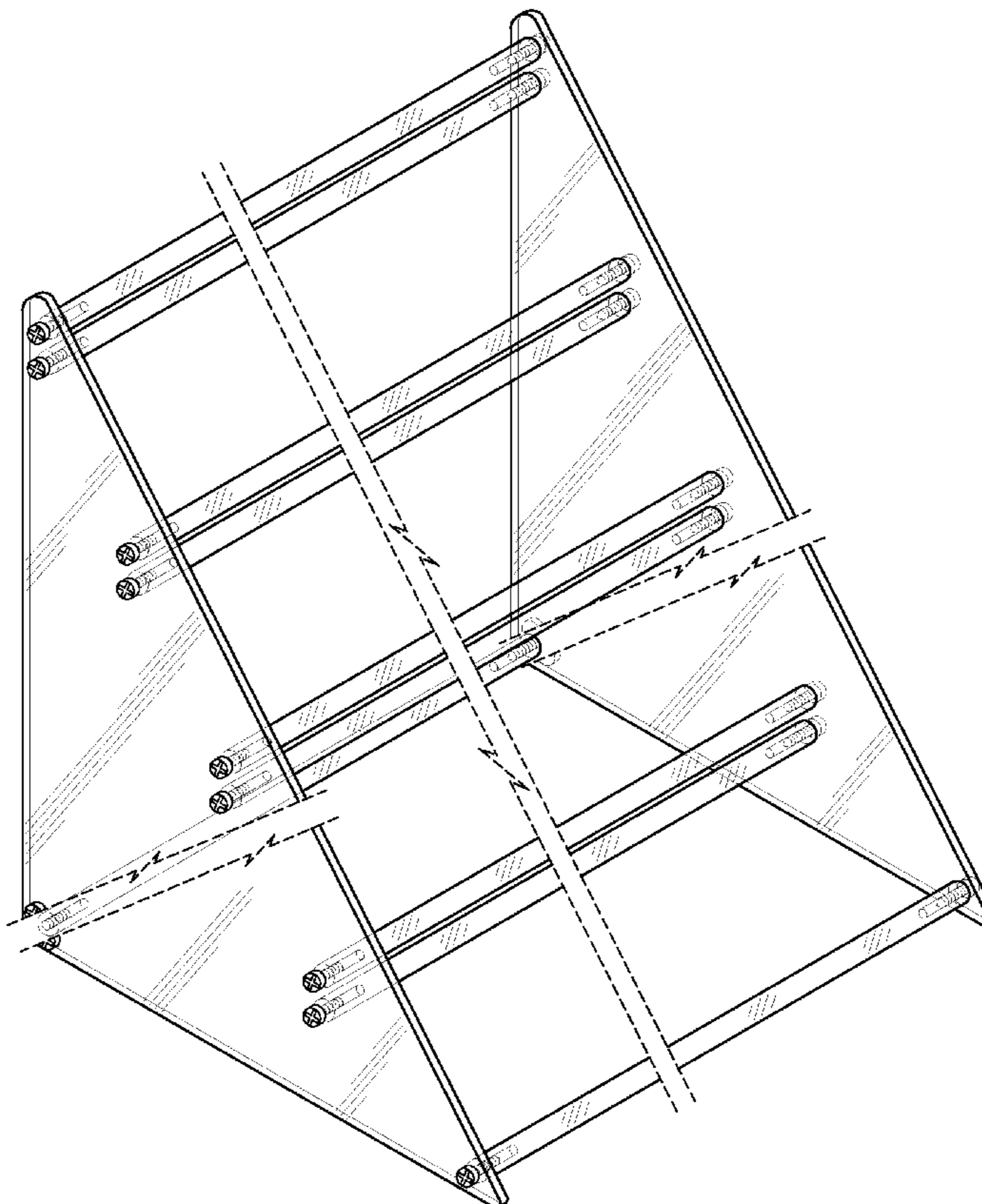
The broken lines illustrated in FIG. 1-6 indicate no particular length or width claimed and forms no part thereof.

(56) **References Cited**

U.S. PATENT DOCUMENTS

D13,521 S	1/1883	Brown	
D28,772 S	5/1898	Morrow	
D163,266 S	5/1951	Dululio	
D180,575 S	7/1957	Brass	
D190,501 S	6/1961	Von Meyer	
D197,449 S	2/1964	Travis	
D237,231 S	10/1975	Wells	
D244,412 S	5/1977	Messenger	
4,282,977 A	8/1981	Di Lorenzo	
D283,472 S *	4/1986	Wattles	D6/463
D283,570 S	4/1986	Penner	

1 Claim, 3 Drawing Sheets



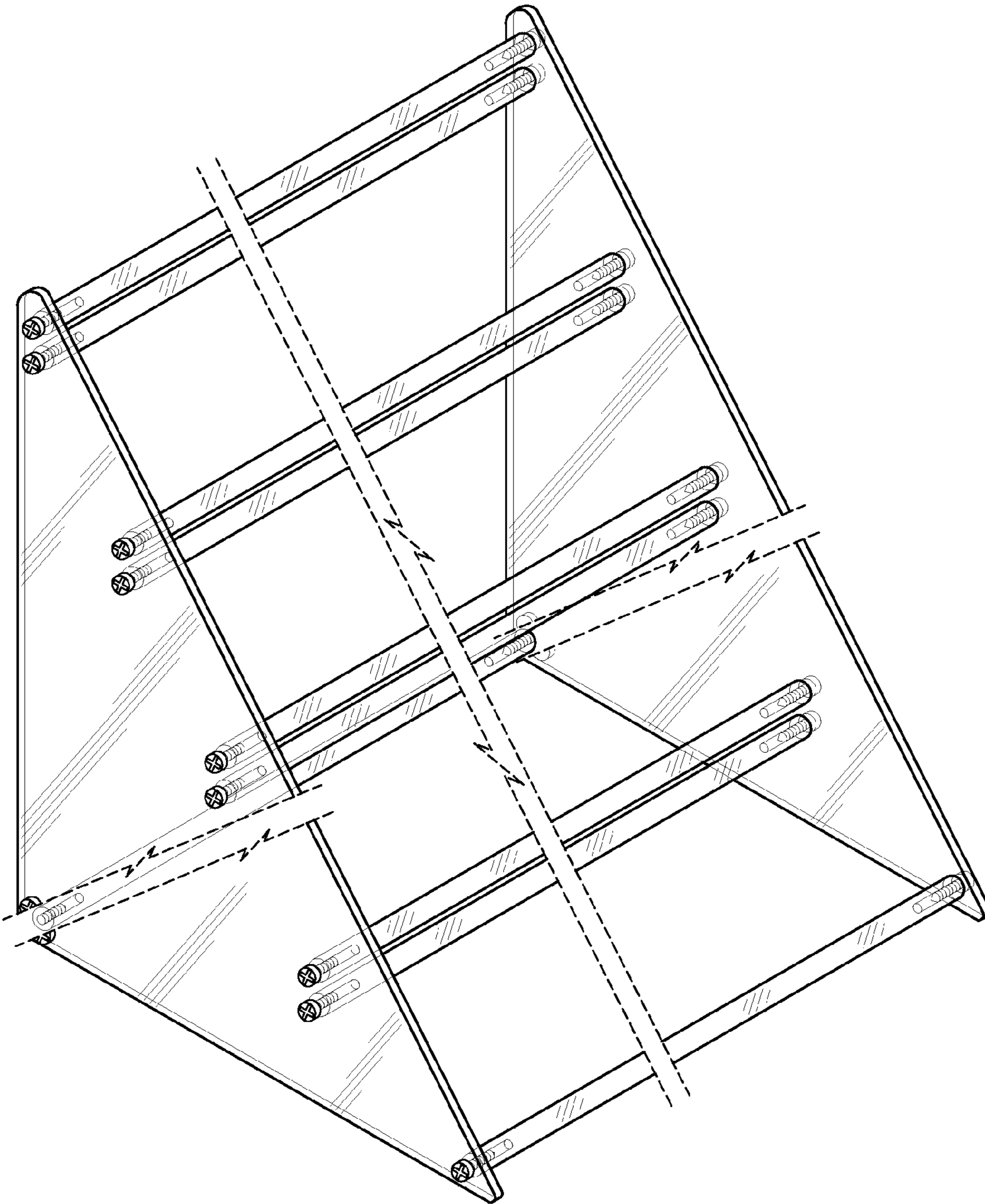


FIG. 1

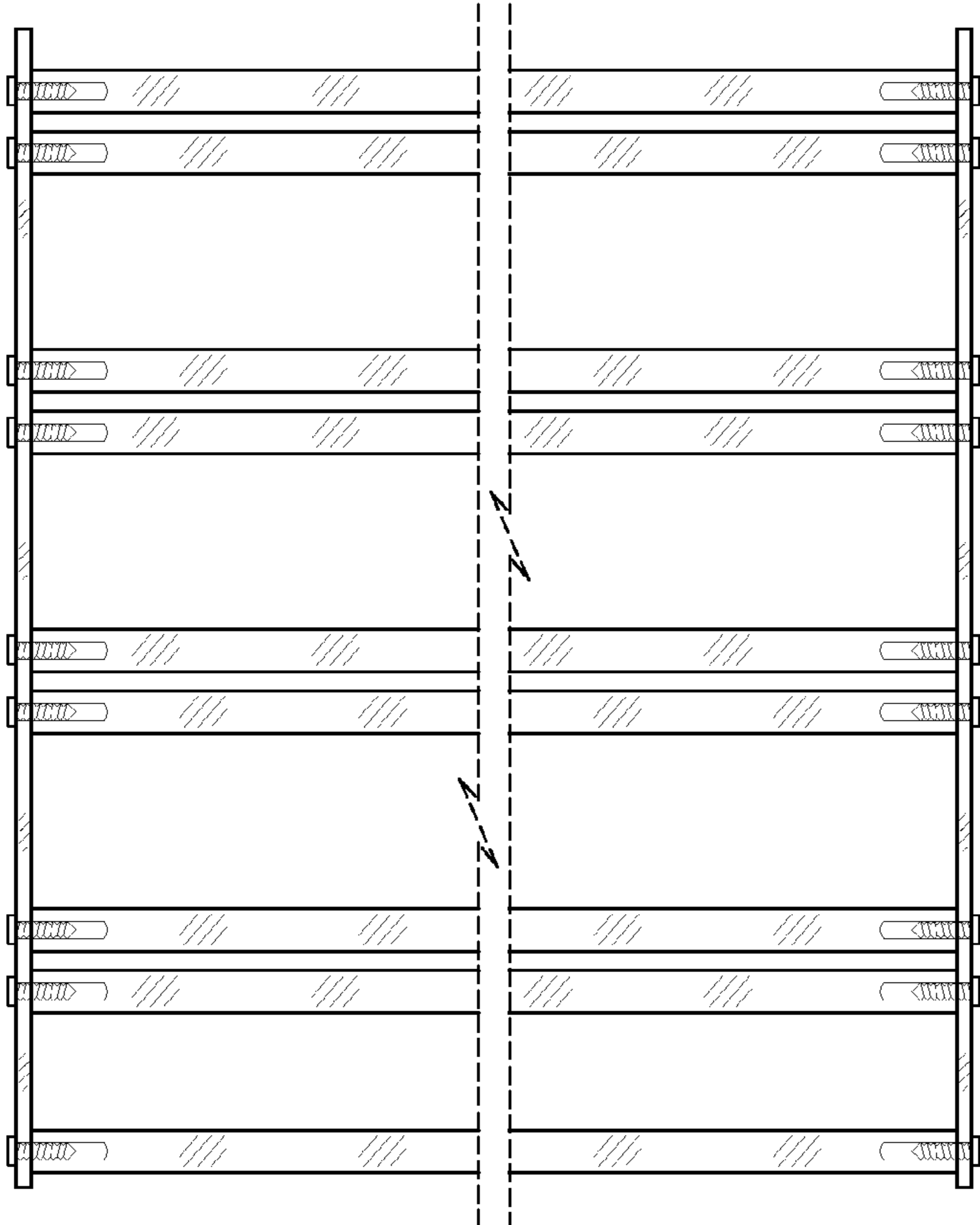


FIG. 2

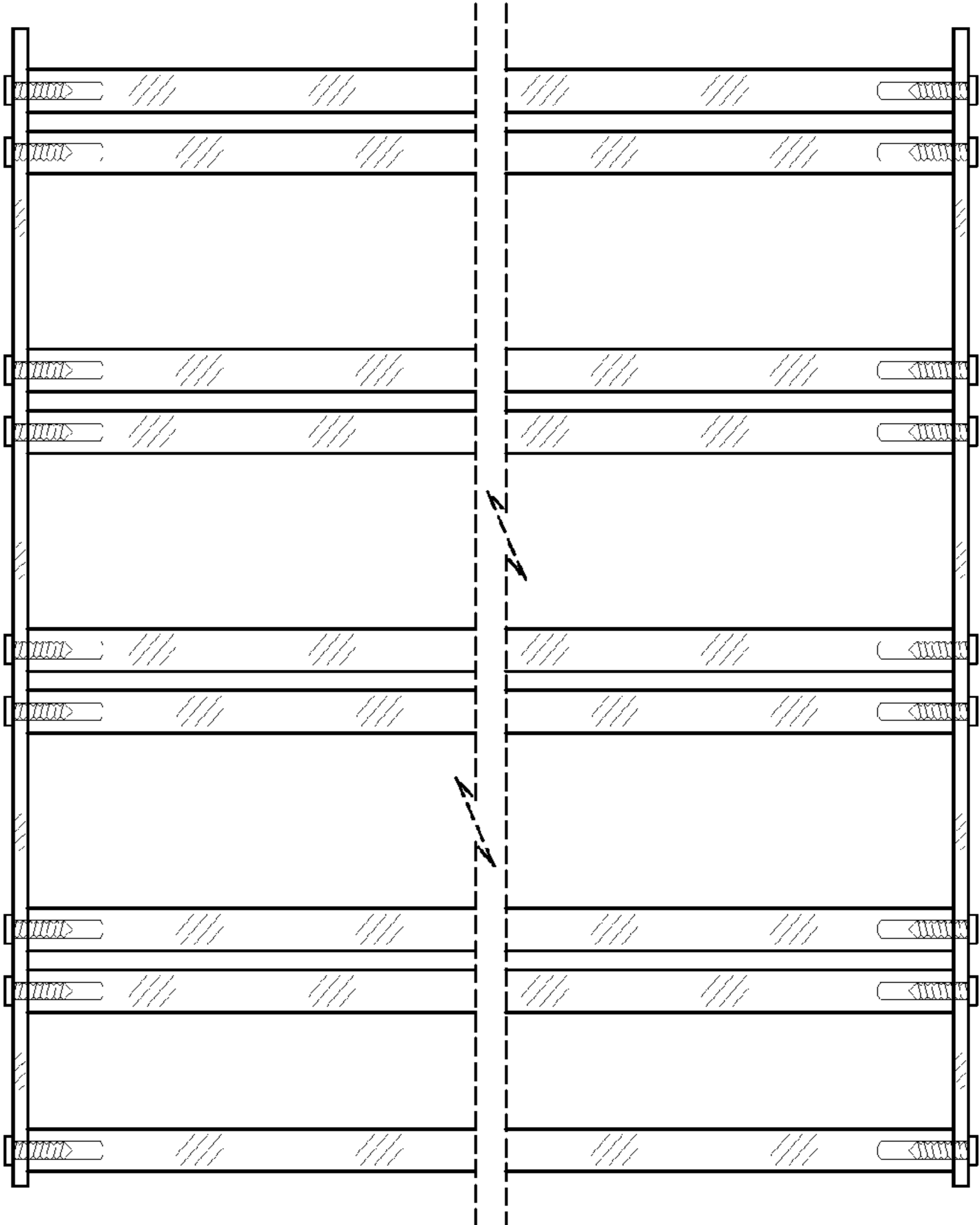


FIG. 3

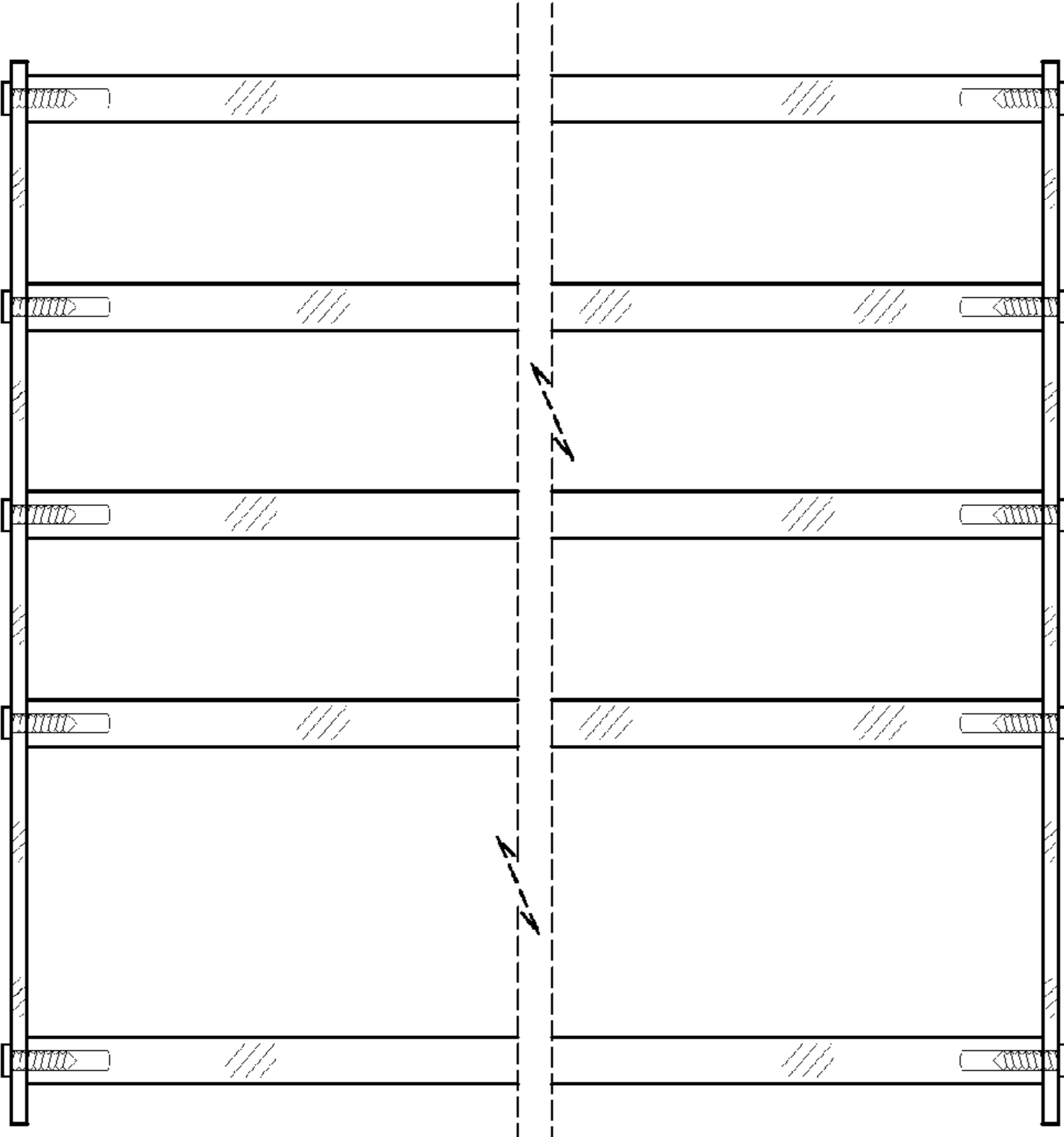


FIG. 5

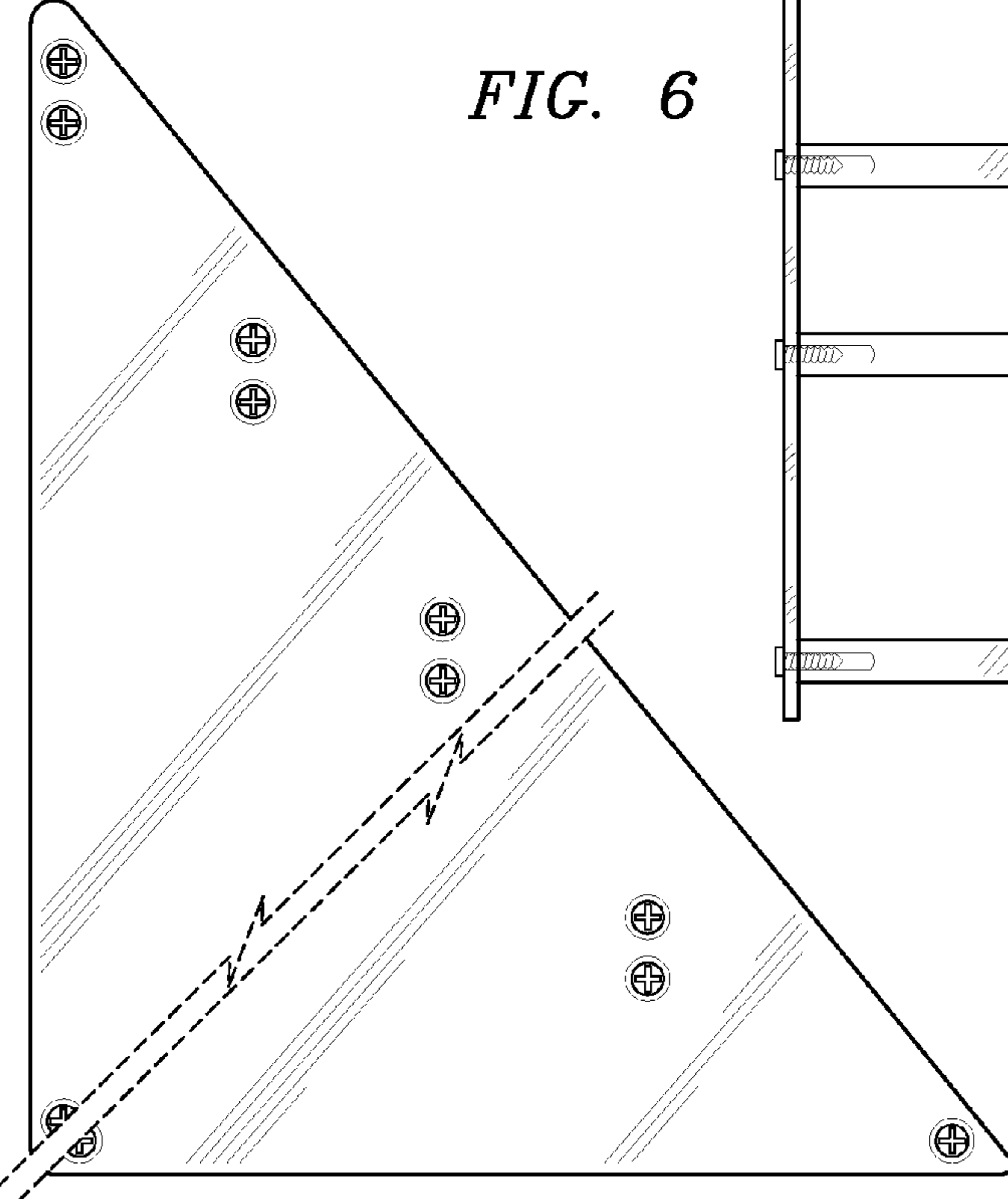


FIG. 6

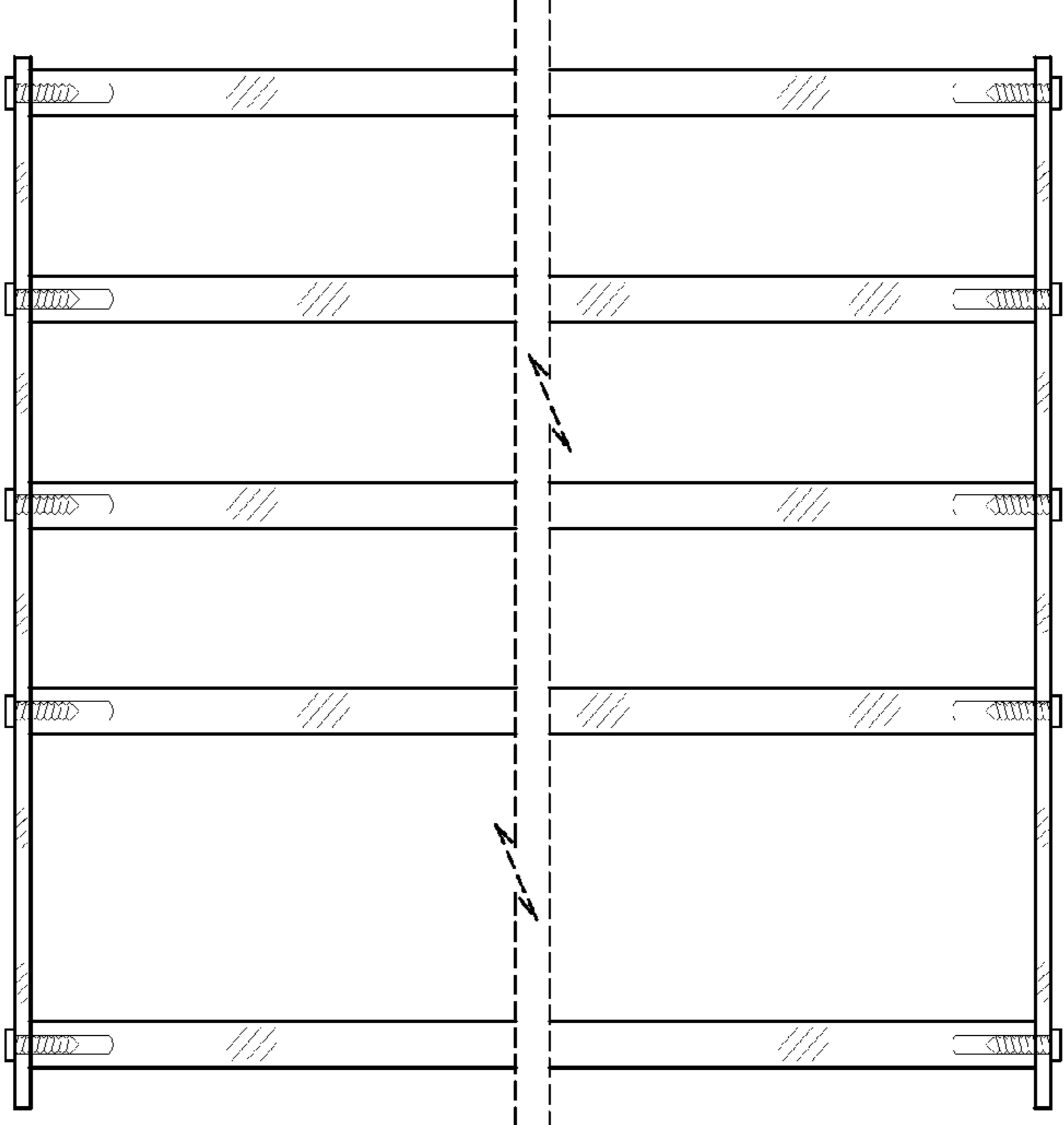


FIG. 4