



US00D660613S

(12) **United States Design Patent**  
**Lenney**

(10) **Patent No.:** **US D660,613 S**

(45) **Date of Patent:** **\*\* May 29, 2012**

(54) **BED**

(75) Inventor: **Joseph P. Lenney**, San Francisco, CA  
(US)

(73) Assignee: **Restoration Hardware, Inc.**, Corte  
Madera, CA (US)

(\*\*) Term: **14 Years**

(21) Appl. No.: **29/399,809**

(22) Filed: **Aug. 18, 2011**

(51) **LOC (9) Cl.** ..... **06-02**

(52) **U.S. Cl.** ..... **D6/393**

(58) **Field of Classification Search** ..... D6/382,  
D6/383, 389, 393-395, 505-508, 503; 5/53.1,  
5/279.1, 280, 281, 907; D21/520  
See application file for complete search history.

(56) **References Cited**

**U.S. PATENT DOCUMENTS**

D460,634 S \* 7/2002 Kreiss ..... D6/393  
D463,156 S \* 9/2002 Lenger ..... D6/393

D466,328 S \* 12/2002 Risdon ..... D6/393  
D503,860 S \* 4/2005 Peterson et al. .... D6/393  
D525,046 S \* 7/2006 Mohundro ..... D6/393  
D564,777 S \* 3/2008 Mohundro ..... D6/393

\* cited by examiner

*Primary Examiner* — Janice Seeger

(74) *Attorney, Agent, or Firm* — Duane Morris, LLP; Guy  
W. Chambers

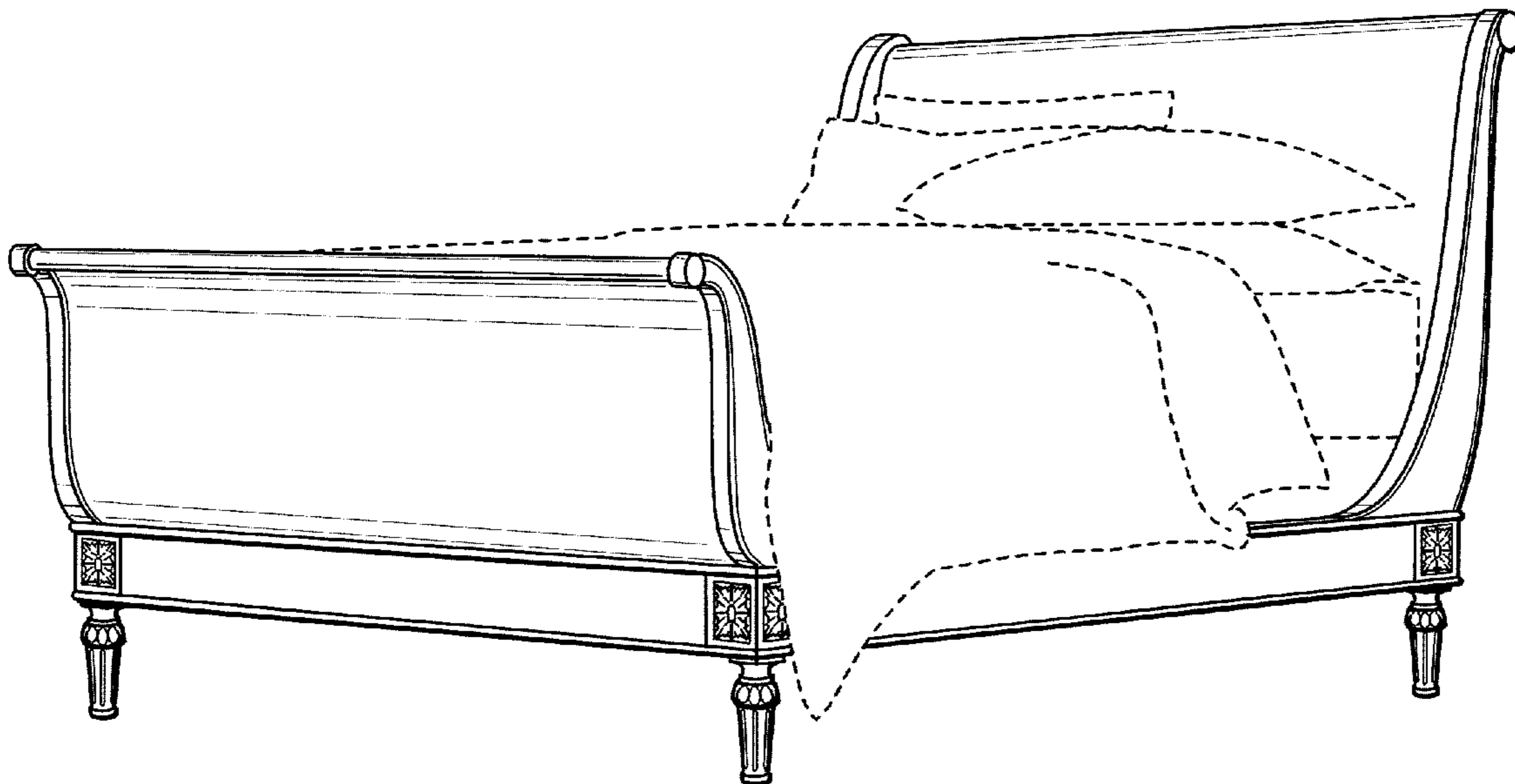
(57) **CLAIM**

The ornamental design for a bed, as shown and described.

**DESCRIPTION**

FIG. 1 is a perspective view of an embodiment of a bed showing my new design;  
FIG. 2 is a top view thereof;  
FIG. 3 is a right side elevational view (left side elevational view is a mirror image thereof); and,  
FIG. 4 is a front elevational view thereof.  
The broken lines are for environmental purposes only and form no part of the claimed design.

**1 Claim, 3 Drawing Sheets**



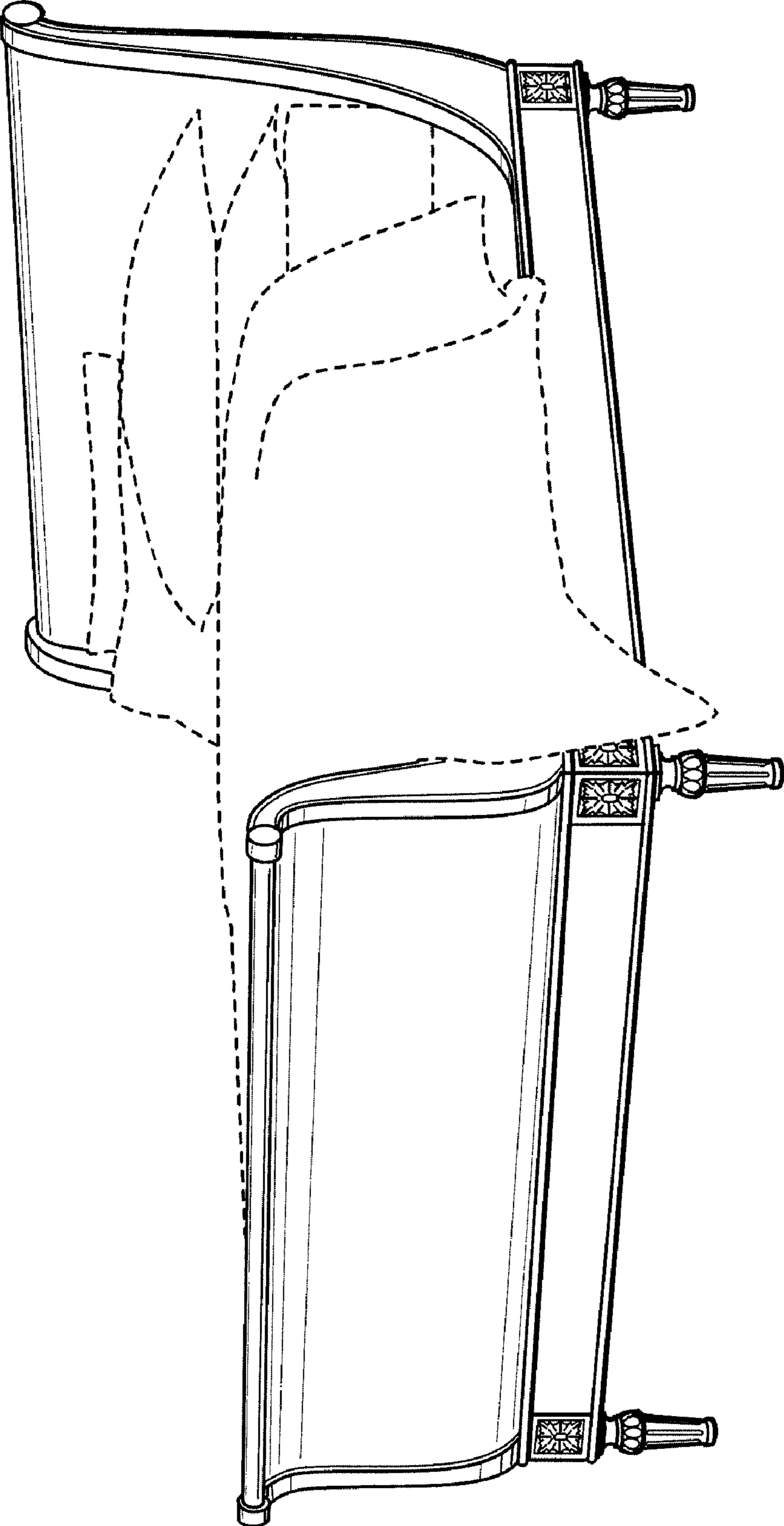
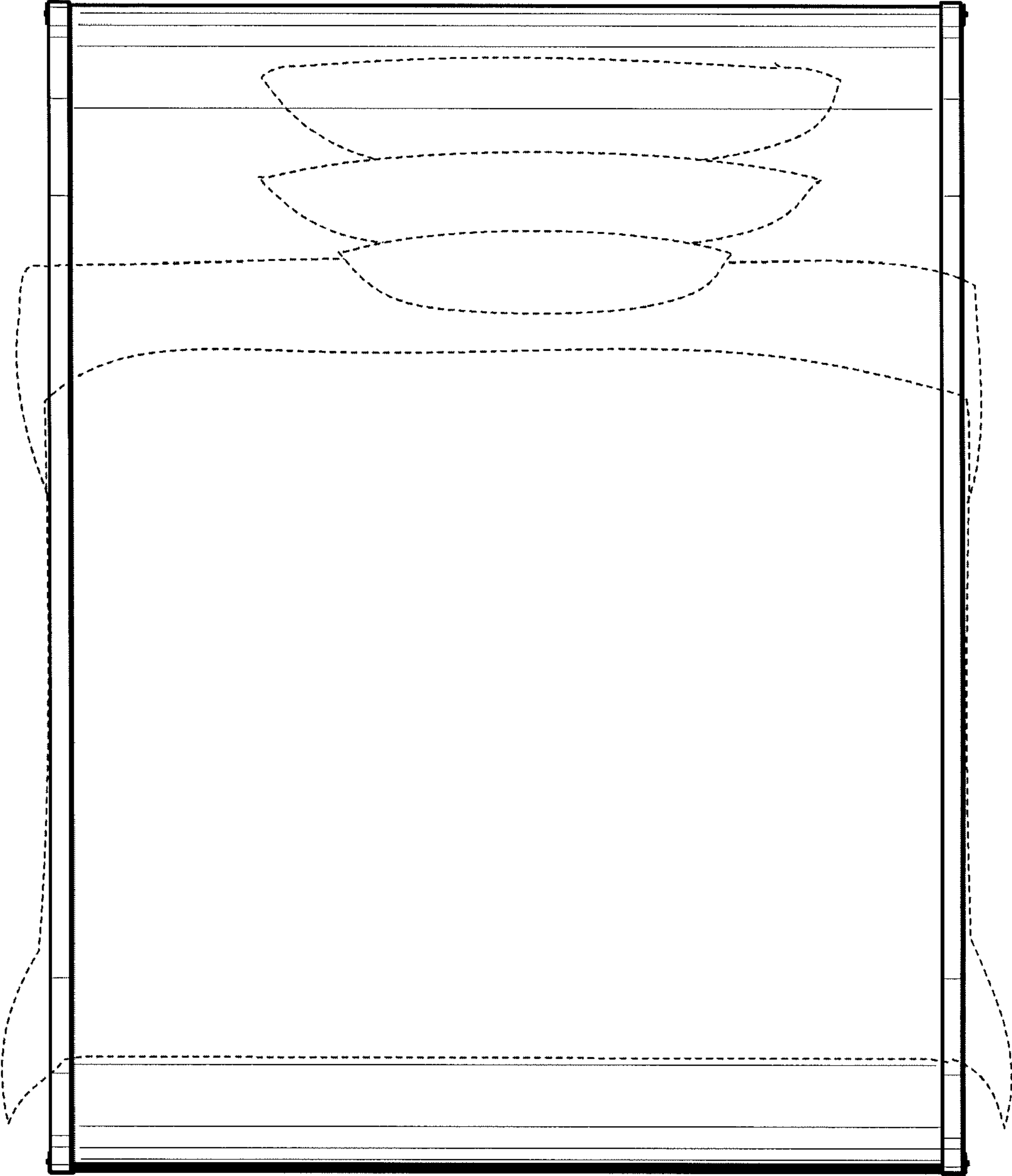
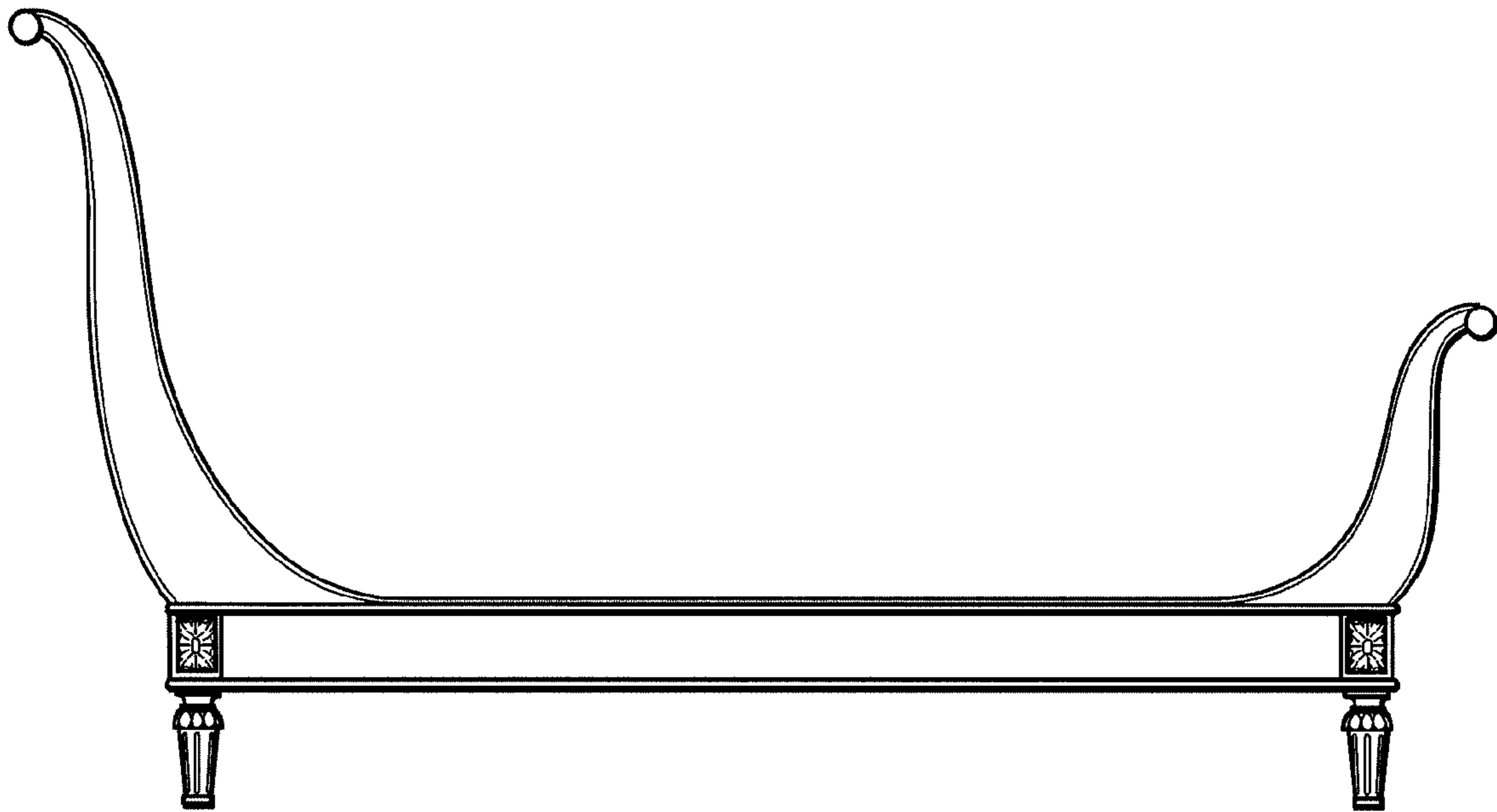


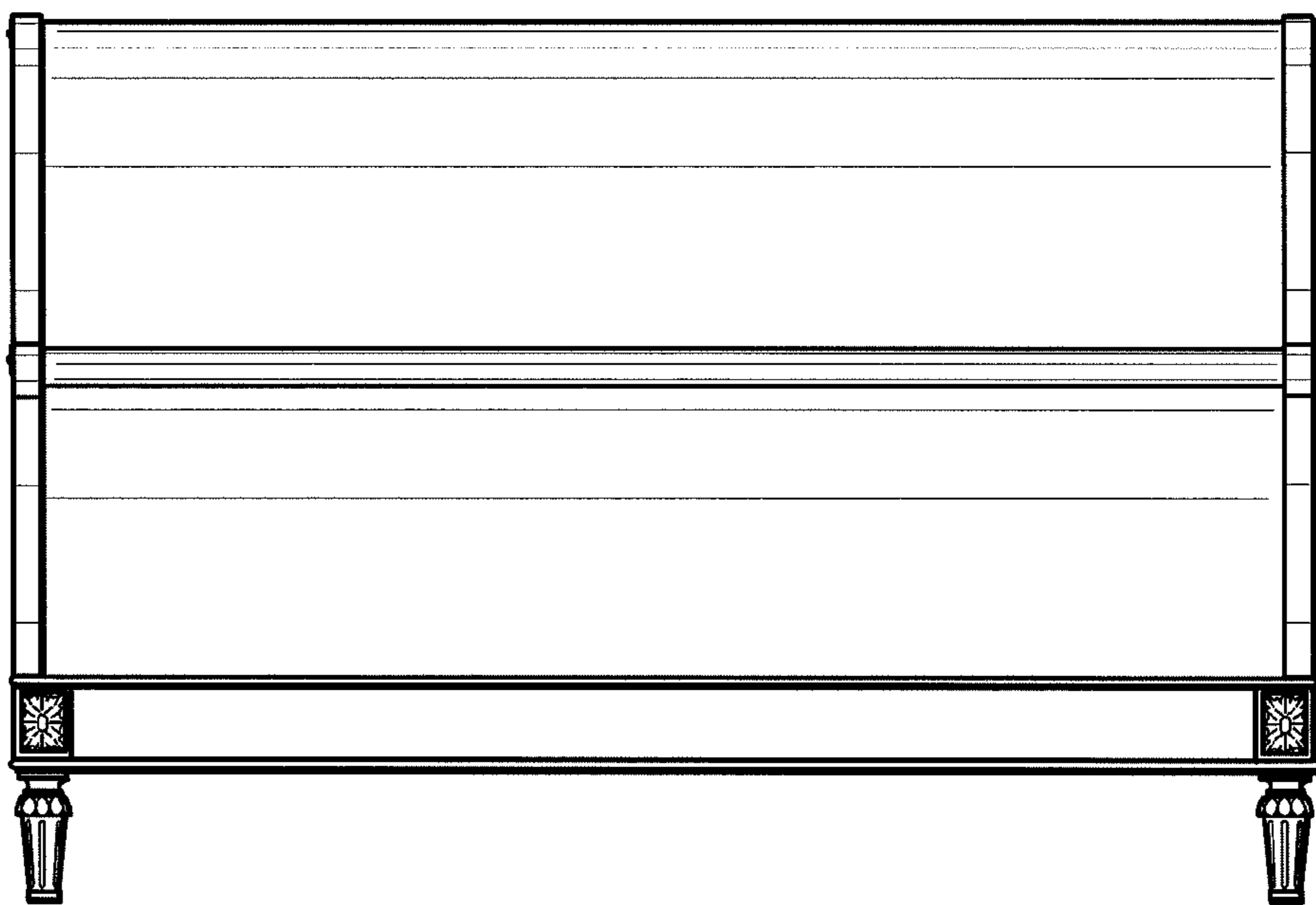
FIG. 1



**FIG. 2**



**FIG. 3**



**FIG. 4**