

US00D660612S

(12) **United States Design Patent**  
**Smith**

(10) **Patent No.:** **US D660,612 S**  
(45) **Date of Patent:** **\*\* May 29, 2012**

- (54) **MESH BANQUET CHAIR**
- (75) Inventor: **Richard D. Smith**, Spanish Fork, UT (US)
- (73) Assignee: **Mity-Lite, Inc.**, Orem, UT (US)
- (\*\*) Term: **14 Years**
- (21) Appl. No.: **29/379,237**

- 1,181,357 A 5/1916 Thonet
- 1,291,551 A 1/1919 Kirk
- 1,355,669 A 10/1920 Henry
- 1,408,114 A 2/1922 Mathieu
- 1,591,550 A 7/1926 Rosenthal
- 1,608,911 A 11/1926 Smith
- D75,556 S 6/1928 Glantz
- 1,701,684 A 2/1929 Lee
- 1,730,916 A 10/1929 Cable

(Continued)

- (22) Filed: **Nov. 16, 2010**
- (51) **LOC (9) Cl.** ..... **06-01**
- (52) **U.S. Cl.** ..... **D6/374; D6/376; D6/380**
- (58) **Field of Classification Search** ..... D6/334-336, D6/369, 370, 371-373, 374, 375, 376, 379, D6/380, 500-502; 297/239, 445.1, 446.1, 297/451.9, 452.13, 452.29, 452.56, 452.64  
See application file for complete search history.

**FOREIGN PATENT DOCUMENTS**

- DE 3824515 1/1990
- (Continued)

**OTHER PUBLICATIONS**

U.S. Appl. No. 12/422,811, filed Apr. 13, 2009; Richard D. Smith; Notice of Allowance issued Jun. 29, 2011.

(Continued)

(56) **References Cited**

**U.S. PATENT DOCUMENTS**

- 30,858 A 12/1860 Pratt
- 71,045 A 11/1867 Nicolai
- 105,253 A 7/1870 Rodgers
- 116,811 A 7/1871 Collignon
- 128,767 A 7/1872 Viele
- 133,503 A 11/1874 Savoral
- 157,028 A 11/1874 Savoral
- 169,748 A 11/1875 Wakefield
- 190,827 A 5/1877 Closterman, Jr.
- 198,421 A 12/1877 Smith
- 210,842 A 12/1878 Dick
- 276,881 A 5/1883 Roberts
- 328,838 A 10/1885 Chichester
- 451,556 A 5/1891 Hallett
- 473,704 A 1/1892 Le Count
- 481,816 A 8/1892 Perry
- 504,446 A 9/1893 Dodd
- 77,327 A 1/1905 Stiggleman
- 779,327 A 1/1905 Stiggleman
- 898,235 A 9/1908 Lloyd
- 945,032 A 1/1910 Gillespie
- 976,786 A 11/1910 Moulin

*Primary Examiner* — Mimoso De  
(74) *Attorney, Agent, or Firm* — Thorpe North & Western LLP

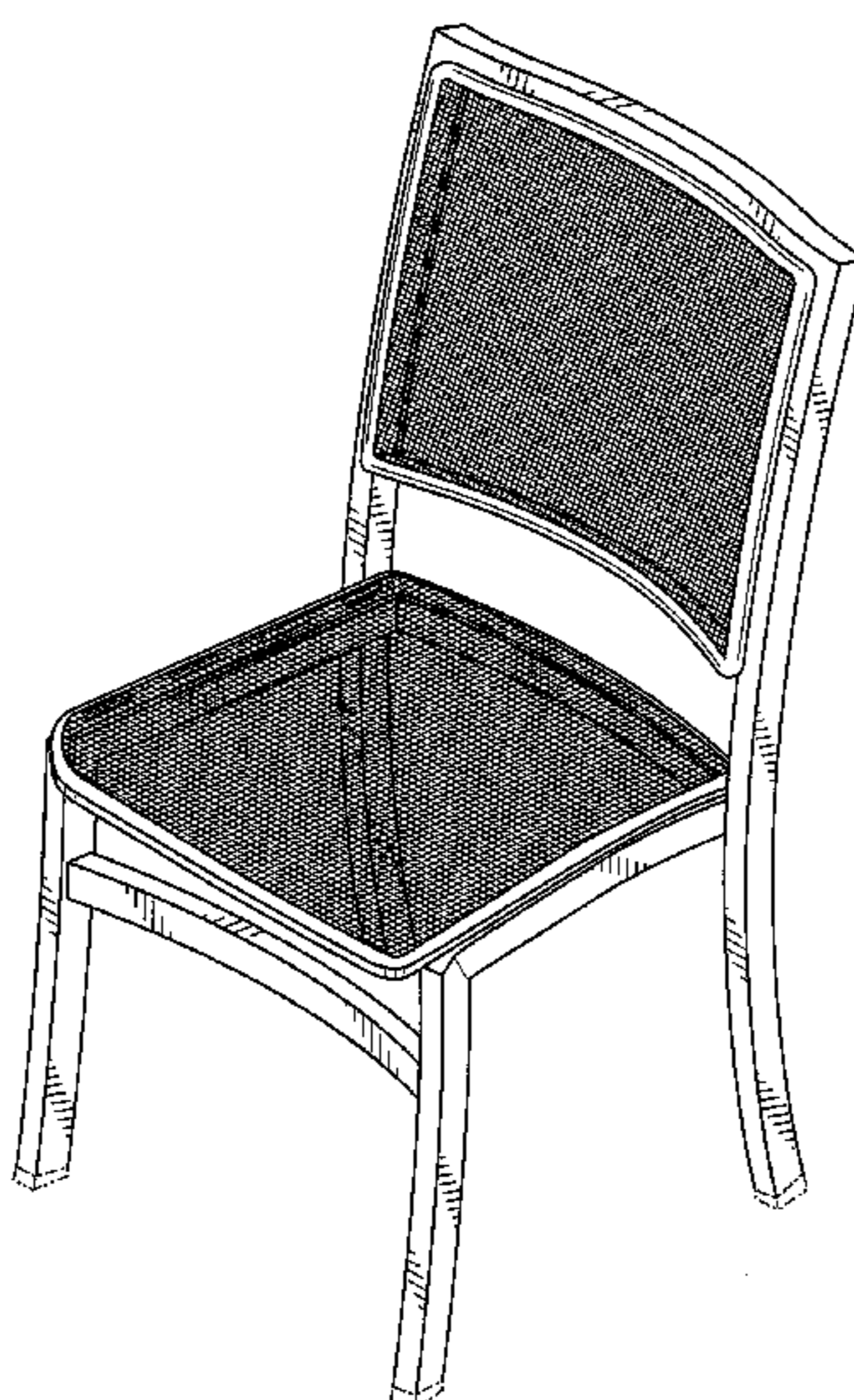
(57) **CLAIM**

The ornamental design for the mesh banquet chair, as shown and described.

**DESCRIPTION**

FIG. 1 is a front perspective view of the mesh banquet chair in accordance with my invention;  
FIG. 2 is a front elevation view thereof;  
FIG. 3 is a rear elevation view thereof;  
FIG. 4 is a left side elevation view thereof;  
FIG. 5 is a right side elevation view thereof;  
FIG. 6 is a top plan view thereof; and,  
FIG. 7 is a bottom plan view thereof.  
The broken lines shown in FIGS. 1-7 are for illustrative purposes only and form no part of the claimed design.

**1 Claim, 7 Drawing Sheets**



# US D660,612 S

Page 2

U.S. PATENT DOCUMENTS							
1,740,806	A	12/1929	Clarín	3,586,277	A	6/1971	Voris, Jr.
1,746,952	A	2/1930	Marwell	3,610,686	A	10/1971	Caruso
1,789,295	A	1/1931	Bauer	3,614,157	A	10/1971	Hendrickson
1,815,643	A	7/1931	Allerding	3,630,572	A	12/1971	Homler
1,825,358	A	9/1931	Scully	3,639,001	A	2/1972	Anderson
1,825,368	A	9/1931	Scully	3,669,496	A	6/1972	Chisholm
1,838,213	A	12/1931	Buffington	3,669,497	A	6/1972	Massonnet
1,873,768	A	8/1932	Kux	3,695,687	A	10/1972	Uyeda
1,874,434	A	8/1932	Brown	3,695,964	A	10/1972	Shaines et al.
1,900,486	A	3/1933	Clarín	3,697,130	A	10/1972	Barecki et al.
1,934,307	A	11/1933	Hardester	3,708,202	A	1/1973	Barecki et al.
1,975,622	A	10/1934	Schermerhorn	3,712,666	A	1/1973	Stoll
1,989,865	A	2/1935	Johanson	3,730,465	A	1/1973	Stoll
1,993,601	A	3/1935	Goldberg	3,730,465	A	5/1973	Gonzalez
2,174,224	A	9/1937	Geller	3,755,853	A	9/1973	Barile
2,098,888	A	11/1937	Schadler	3,758,155	A	9/1973	Straits
D107,545	S	12/1937	O'Connor	3,774,967	A	11/1973	Rowland
2,126,439	A	8/1938	Zerbee	3,802,734	A	4/1974	Lindley
2,127,710	A	8/1938	Baker	3,813,149	A	5/1974	Lawrence et al.
2,179,516	A	11/1939	Patrick	3,838,884	A	10/1974	Faiks et al.
2,186,301	A	1/1940	La More	3,840,269	A	10/1974	Ambrose
2,262,500	A	11/1941	Johannsen	3,844,517	A	10/1974	Fraser
2,303,189	A	11/1942	Adler	3,845,984	A	11/1974	Rowland
2,364,093	A	12/1944	O'Connor	3,847,433	A	11/1974	Acton et al.
2,364,647	A	12/1944	O'Connor	3,899,207	A	8/1975	Mueller
2,381,574	A	8/1945	Clarín	3,904,242	A	9/1975	Koepke et al.
2,470,113	A	5/1949	Sebel	3,906,592	A	9/1975	Sakasegawa et al.
2,514,125	A	7/1950	Evans	3,924,893	A	12/1975	Ferrara
2,568,269	A	9/1951	Burnham et al.	3,939,565	A	2/1976	Bush
3,021,175	A	2/1952	Norquist	3,982,785	A	9/1976	Ambasz
2,666,478	A	1/1954	Shwayder	4,057,288	A	11/1977	Schwartz et al.
2,699,814	A	1/1955	Kahm	4,062,589	A	12/1977	Klein et al.
2,706,517	A	4/1955	Dexter et al.	4,064,815	A	12/1977	Baum
2,745,181	A	5/1956	Czerniewicz	4,066,295	A	1/1978	Severson
D178,900	S	10/1956	O'Neill	D249,417	S	9/1978	Ambasz
2,788,531	A	4/1957	Dye et al.	4,155,592	A	5/1979	Tsuda et al.
2,865,437	A	12/1958	Shwayder	4,235,473	A	11/1980	Aginar
2,874,755	A	2/1959	Smith	4,278,287	A	7/1981	Homestead
2,877,829	A	3/1959	Ferar et al.	4,291,855	A	9/1981	Schenkel et al.
D186,505	S	11/1959	King et al.	4,318,570	A	3/1982	Adam et al.
2,924,830	A	2/1960	De Long	4,319,779	A	3/1982	Leonhart
2,964,092	A	12/1960	Rassier	4,325,577	A	4/1982	Thebaud
2,982,339	A	5/1961	Clarín	4,359,809	A	11/1982	Fraser
3,001,816	A	9/1961	Clarín	4,368,917	A	1/1983	Urai
3,009,738	A	11/1961	Piker	4,382,453	A	5/1983	Bujan et al.
3,025,102	A	3/1962	Nash	4,383,486	A	5/1983	Reineman et al.
3,031,227	A	4/1962	Van Buren, Jr.	4,386,804	A	6/1983	Ware et al.
3,057,660	A	10/1962	Schneider	4,400,031	A	8/1983	DeDecker
3,059,919	A	10/1962	Marchino	4,407,479	A	10/1983	Combe
3,087,755	A	4/1963	Boman	4,451,085	A	5/1984	Franck et al.
3,094,357	A	6/1963	Shwayder	4,456,296	A	6/1984	Rowland
3,111,344	A	11/1963	Hoven et al.	D275,533	S	9/1984	Lantz
3,123,399	A	3/1964	Wilson	4,498,702	A	2/1985	Raftery
3,125,156	A	3/1964	Grimshaw	4,502,731	A	3/1985	Snider
3,133,762	A	5/1964	Newman	4,510,634	A	4/1985	Diedrich et al.
3,159,425	A	12/1964	Engstrom	4,533,174	A	8/1985	Fleishman
3,165,359	A	1/1965	Ashkouti	4,536,102	A	8/1985	Doyle
D200,532	S	3/1965	Williams	4,541,150	A	9/1985	Brokmann
D202,264	S	9/1965	Albinson	4,549,764	A	10/1985	Haedo
3,205,010	A	9/1965	Schick	4,557,521	A	12/1985	Lange
3,207,551	A	9/1965	Axtell	4,558,904	A	12/1985	Schultz
3,220,764	A	11/1965	Duer	4,561,622	A	12/1985	Heinzel
3,227,487	A	1/1966	Blanchard, Jr. et al.	4,564,163	A	1/1986	Barnett
3,233,885	A	2/1966	Propst	4,569,496	A	2/1986	Fleishman
3,246,927	A	4/1966	Klassen	4,580,836	A	4/1986	Verney
3,246,928	A	4/1966	Haynes et al.	4,583,778	A	4/1986	Liebhold
3,278,227	A	10/1966	Rowland	4,585,272	A	4/1986	Ballarini
3,291,523	A	12/1966	Kreuger	4,601,516	A	7/1986	Klein
3,291,529	A	12/1966	Straits	4,603,904	A	8/1986	Tolleson et al.
3,363,943	A	1/1968	Getz et al.	4,603,907	A	8/1986	Witzke
3,383,738	A	5/1968	Fox et al.	4,617,869	A	10/1986	Denomey
3,402,963	A	9/1968	Fujioka et al.	4,624,432	A	11/1986	Salacuse
3,419,295	A	12/1968	Small	4,630,865	A	12/1986	Ahs
3,463,547	A	8/1969	Brennan et al.	4,639,042	A	1/1987	Lange
3,529,866	A	9/1970	Getz	4,648,653	A	3/1987	Rowland
3,531,157	A	9/1970	Duckett et al.	4,655,504	A	4/1987	Weber
D219,032	S	* 10/1970	Christenson, Jr. .... D6/374	4,660,887	A	4/1987	Fleming et al.
3,540,776	A	11/1970	Wilson	D290,070	S	6/1987	Lange
				4,684,172	A	8/1987	Lundquist
				4,747,569	A	5/1988	Hoshino



# US D660,612 S

4,756,575 A	7/1988	Dicks	5,871,258 A	2/1999	Batthey et al.
4,790,595 A	12/1988	Hensel et al.	D406,195 S	3/1999	Gamberini
D300,885 S	5/1989	Ochsner	5,887,946 A	3/1999	Raftery
4,830,250 A	5/1989	Newbold et al.	5,902,012 A	5/1999	Han
4,837,878 A	6/1989	Huemer	5,904,397 A	5/1999	Fismen
4,852,944 A	8/1989	Hartmann	5,934,758 A	8/1999	Ritch et al.
4,869,552 A	9/1989	Tolleson et al.	5,947,562 A	9/1999	Christofferson et al.
4,881,705 A	11/1989	Kraus	5,954,391 A	9/1999	Gray
4,883,320 A	11/1989	Izumida et al.	5,961,184 A	10/1999	Balderi et al.
4,900,183 A	2/1990	Souchko	5,964,443 A	10/1999	Leveille
4,913,493 A	4/1990	Heidmann	5,967,605 A	10/1999	Stanfield
4,923,158 A	5/1990	Saisho	5,975,626 A	11/1999	Aycock
4,953,913 A	9/1990	Graebe	5,975,634 A	11/1999	Knoblock et al.
4,962,964 A	10/1990	Snodgrass	5,988,746 A	11/1999	Raftery
4,978,168 A	12/1990	Piretti	5,988,757 A	11/1999	Vishey et al.
5,002,337 A	3/1991	Engel et al.	5,997,084 A	12/1999	Barile et al.
5,013,089 A	5/1991	Abu-Isa et al.	6,003,948 A	12/1999	Holbrook
5,020,749 A	6/1991	Kraus	D418,322 S	1/2000	Hock
5,039,163 A	8/1991	Tolleson	6,012,679 A	1/2000	Auestad
5,040,848 A	8/1991	Irie et al.	6,030,037 A	2/2000	Ritch et al.
5,056,699 A	10/1991	Newbold et al.	6,035,901 A	3/2000	Stumpf et al.
5,062,179 A	11/1991	Huang	6,050,646 A	4/2000	Stenzel et al.
5,064,247 A	11/1991	Clark et al.	D425,717 S	5/2000	Tseng
5,071,191 A	12/1991	Leib	6,056,354 A	5/2000	Tseng
5,096,259 A	3/1992	Stanfield	6,059,368 A	5/2000	Stumpf et al.
5,108,149 A	4/1992	Ambasz	6,065,803 A	5/2000	Li et al.
5,110,186 A	5/1992	Clark et al.	6,070,940 A	6/2000	Wu
5,113,717 A	5/1992	Plamper	6,095,597 A	8/2000	Huang
5,123,702 A	6/1992	Caruso	6,099,073 A	8/2000	Bruschi
5,131,607 A	7/1992	Arnold et al.	6,102,482 A	8/2000	Dettoni et al.
5,146,656 A	9/1992	Huang	6,106,061 A	8/2000	Caruso et al.
5,154,485 A	10/1992	Fleishman	6,113,186 A	9/2000	Holmes et al.
5,183,314 A	2/1993	Lorbiecki	6,116,692 A	9/2000	Tarnay et al.
5,211,323 A	5/1993	Chimenti et al.	6,116,694 A	9/2000	Bullard
5,213,004 A	5/1993	Hoblingre	D431,400 S	10/2000	Grove
D337,444 S	7/1993	Lamalle	D432,805 S	10/2000	Sith
5,234,185 A	8/1993	Hoffman et al.	6,125,521 A	10/2000	Stumpf et al.
5,265,969 A	11/1993	Chuang	6,135,562 A	10/2000	Infanti
5,277,387 A	1/1994	Lewis et al.	D435,977 S	1/2001	Ambasz
5,282,669 A	2/1994	Barile	D436,457 S	1/2001	Ambasz
5,297,851 A	3/1994	Van Hekken	D437,501 S *	2/2001	Rehmert et al. .... D6/376
5,323,713 A	6/1994	Luyk et al.	6,206,469 B1	3/2001	Caruso et al.
5,356,204 A	10/1994	McDonough	D440,784 S	4/2001	Ambasz
5,367,815 A	11/1994	Liou	6,234,571 B1	5/2001	Atkins et al.
5,382,080 A	1/1995	Gamberini et al.	6,234,578 B1	5/2001	Barton et al.
5,383,712 A	1/1995	Perry	6,254,190 B1	7/2001	Gregory
5,393,126 A	2/1995	Boulva	D446,661 S	8/2001	Ambasz
D357,365 S	4/1995	Ward et al.	6,279,991 B1	8/2001	Atkins et al.
5,413,015 A	5/1995	Zentmyer	6,279,998 B1	8/2001	Chu et al.
5,427,469 A	6/1995	Galarnyk	6,305,742 B1	10/2001	Spendlove et al.
5,497,537 A	3/1996	Robinson et al.	6,305,750 B1	10/2001	Buono et al.
5,498,098 A	3/1996	Cairns	D452,619 S	1/2002	Piretti
5,499,883 A	3/1996	Heinzl	6,338,587 B1	1/2002	Kuo
5,503,455 A	4/1996	Yang	6,345,863 B1	2/2002	Laws et al.
5,513,899 A	5/1996	Michaels et al.	6,349,992 B1	2/2002	Knoblock et al.
5,520,474 A	5/1996	Liu	6,378,944 B1	4/2002	Weisser
5,524,963 A	6/1996	Barile	6,382,728 B1	5/2002	Buono
5,524,966 A	6/1996	Piretti	6,386,627 B1	5/2002	Tsai
5,542,159 A	8/1996	Schultz et al.	6,386,634 B1	5/2002	Stumpf et al.
5,549,358 A	8/1996	Muller	6,406,096 B1	6/2002	Barile, Sr.
5,560,678 A	10/1996	Eppelt	6,409,268 B1	6/2002	Cvek
5,611,598 A	3/1997	Knoblock	D460,300 S	7/2002	Fifield et al.
5,662,383 A	9/1997	Hand	6,412,869 B1	7/2002	Pearce
5,681,093 A	10/1997	Pfister	6,422,645 B1	7/2002	Smith et al.
5,701,971 A	12/1997	Rchid	6,439,665 B1	8/2002	Cvek
5,738,408 A	4/1998	Wu	6,471,293 B2	10/2002	Ware et al.
5,747,140 A	5/1998	Heerklotz	D465,938 S	11/2002	Huang
5,762,403 A	6/1998	Robinson	D465,940 S	11/2002	Nien
5,779,317 A	7/1998	Neal	6,481,789 B1	11/2002	Ambasz
5,785,287 A	7/1998	Hoshino	D466,712 S	12/2002	Haney et al.
5,820,221 A	10/1998	Greaves et al.	D469,969 S	2/2003	Glass et al.
5,825,095 A	10/1998	Albecker, III	D469,971 S	2/2003	Piretti
5,826,312 A	10/1998	Schroder et al.	6,523,898 B1	2/2003	Ball et al.
5,842,739 A	12/1998	Noble	6,533,352 B1	3/2003	Glass et al.
5,845,589 A	12/1998	Pfister	6,536,079 B2	3/2003	Hill
5,845,970 A	12/1998	Schwartz	D473,727 S	4/2003	Tsai
5,860,697 A	1/1999	Fewchuk	6,543,842 B2	4/2003	Haney
5,860,700 A	1/1999	Lance	6,547,321 B2	4/2003	Wu
5,863,096 A	1/1999	Bartlmae	6,550,866 B1	4/2003	Su



# US D660,612 S

6,561,580 B1	5/2003	Bergey		D580,673 S *	11/2008	Wright et al. ....	D6/374
D476,162 S	6/2003	Finazzi		D581,708 S	12/2008	Su	
D477,470 S	7/2003	Haney et al.		7,458,918 B1	12/2008	Clark	
6,585,323 B2	7/2003	Gaylord et al.		7,472,962 B2	1/2009	Caruso et al.	
6,588,842 B2	7/2003	Stumpf et al.		7,513,567 B2	4/2009	Huang	
6,598,544 B2	7/2003	Laws et al.		D594,669 S	6/2009	Asano	
6,604,784 B1	8/2003	Bosman et al.		7,552,968 B2	6/2009	Smith et al.	
6,612,654 B2	9/2003	Laws et al.		D599,127 S	9/2009	Smith	
D481,879 S	11/2003	Su		D600,936 S	9/2009	Koh	
6,644,749 B2	11/2003	VanDeRiet et al.		7,717,511 B2	5/2010	Huang	
6,666,518 B2	12/2003	Bruschi et al.		7,758,112 B2	7/2010	Huang	
6,669,281 B1	12/2003	Huang		7,810,882 B2	10/2010	Bartlmae	
6,688,698 B1	2/2004	Chou et al.		7,896,431 B2	3/2011	Cui et al.	
6,702,390 B2	3/2004	Stumpf et al.		7,988,228 B2	8/2011	Cui et al.	
6,709,050 B2	3/2004	Huang		2001/0028188 A1	10/2001	Stumpf et al.	
6,722,741 B2	4/2004	Stumpf et al.		2001/0030457 A1	10/2001	Gregory	
6,722,742 B2	4/2004	Potes et al.		2001/0033100 A1	10/2001	Haney	
6,726,285 B2	4/2004	Caruso et al.		2002/0053822 A1	5/2002	Ware et al.	
6,726,286 B2	4/2004	Stumpf et al.		2002/0109380 A1	8/2002	VanDeRiet et al.	
6,729,691 B2	5/2004	Koepke et al.		2002/0117883 A1	8/2002	Gevaert	
6,733,080 B2	5/2004	Stumpf et al.		2002/0145326 A1	10/2002	Liu	
6,742,839 B2	6/2004	Piretti		2002/0195863 A1	12/2002	Su	
6,755,468 B1	6/2004	Pan		2003/0071509 A1	4/2003	Neil et al.	
D494,792 S	8/2004	Schmitz et al.		2003/0090137 A1	5/2003	Piretti	
6,779,846 B2	8/2004	Spendlove et al.		2003/0108385 A1	6/2003	Finco et al.	
D495,509 S	9/2004	Breen		2003/0127887 A1	7/2003	Laws et al.	
D495,891 S	9/2004	Ambasz		2003/0168894 A1	9/2003	Lin	
6,837,546 B2	1/2005	VanDeRiet et al.		2003/0218372 A1	11/2003	Falgueras	
D501,613 S	2/2005	Kaltenmark et al.		2003/0234563 A1	12/2003	Huang	
D503,291 S	3/2005	Lucci et al.		2004/0076465 A1	4/2004	Geiger	
6,863,341 B1	3/2005	Wen		2004/0245842 A1	12/2004	Nardi	
6,866,338 B2	3/2005	Mendenhall et al.		2004/0262975 A1	12/2004	Su	
6,871,906 B2	3/2005	Haney		2005/0001464 A1	1/2005	Caruso et al.	
6,886,890 B2	5/2005	Rowland et al.		2005/0077773 A1	4/2005	Chen	
6,890,026 B1	5/2005	Shin		2005/0146193 A1	7/2005	Shieh	
6,899,053 B2	5/2005	Hawkins		2005/0175403 A1	8/2005	Herb et al.	
6,899,396 B2	5/2005	Bales		2005/0206210 A1	9/2005	Coffield	
D505,800 S	6/2005	Lucci et al.		2005/0264087 A1	12/2005	Diffrient	
D506,325 S	6/2005	Farber et al.		2006/0006715 A1	1/2006	Chadwick et al.	
6,908,159 B2	6/2005	Prince et al.		2006/0091715 A1	5/2006	Schmitz et al.	
D507,425 S	7/2005	Ashby et al.		2006/0138849 A1	6/2006	Wilkerson et al.	
6,923,505 B2	8/2005	Siminovitch et al.		2006/0284469 A1	12/2006	Lowsky	
6,935,698 B1	8/2005	Chen		2007/0000112 A1	1/2007	Johnson et al.	
6,942,300 B2	9/2005	Numa et al.		2007/0132291 A1	6/2007	Smith et al.	
6,957,861 B1	10/2005	Chou et al.		2007/0132302 A1	6/2007	Smith et al.	
6,966,606 B2	11/2005	Coffield		2007/0222266 A1	9/2007	Lucci et al.	
D513,456 S	1/2006	Smith		2008/0277982 A1	11/2008	Bartlmae	
6,983,997 B2	1/2006	Wilkerson et al.		2008/0315645 A1	12/2008	Hock	
6,988,774 B1	1/2006	Elzenbeck		2008/0315646 A1	12/2008	Hock	
7,021,712 B2	4/2006	Spendlove et al.		2009/0079235 A1	3/2009	Huang	
7,029,064 B2	4/2006	Chen		2009/0146467 A1	6/2009	Waite et al.	
D523,254 S	6/2006	Nye et al.		2009/0184548 A1	7/2009	Vickers et al.	
7,059,670 B2	6/2006	Mills et al.		2009/0236895 A1	9/2009	Bottemiller	
7,066,536 B2	6/2006	Williams et al.		2010/0156148 A1	6/2010	Smith et al.	
7,066,550 B1	6/2006	Su		2010/0156149 A1	6/2010	Smith et al.	
7,073,864 B2	7/2006	Olsen		2010/0156150 A1	6/2010	Smith et al.	
D526,136 S *	8/2006	Kettler et al. ....	D6/376	2010/0156151 A1	6/2010	Smith et al.	
D526,138 S *	8/2006	Rech .....	D6/376	2010/0156155 A1	6/2010	Smith	
7,104,604 B1	9/2006	Kang		2010/0156156 A1	6/2010	Smith	
7,107,915 B2	9/2006	Laws et al.		2010/0176633 A1	7/2010	Brncick et al.	
7,111,906 B2	9/2006	Heisey et al.		2010/0181807 A1	7/2010	Smith	
D532,986 S *	12/2006	Kettler et al. ....	D6/376	2010/0194160 A1	8/2010	Machael et al.	
D533,000 S	12/2006	Lu et al.		2010/0237582 A1	9/2010	Belenkov et al.	
7,147,286 B2	12/2006	Cesaroni et al.		2011/0025104 A1	2/2011	Fusao et al.	
7,152,929 B2	12/2006	Wu		2011/0175412 A1	7/2011	Piretti	
7,156,459 B2	1/2007	Ambasz		2011/0187169 A1	8/2011	Stewart et al.	
D539,557 S	4/2007	Doughty					
D541,068 S *	4/2007	Foster .....	D6/374				
D544,225 S	6/2007	Cantarutti					
D544,235 S	6/2007	Chen					
7,249,802 B2	7/2007	Schmitz et al.					
7,303,230 B2	12/2007	Munn et al.					
7,303,235 B1	12/2007	Fongers					
D558,999 S	1/2008	Cantarutti					
D567,524 S	4/2008	Marin					
D569,121 S	5/2008	Rizzi					
7,396,076 B1	7/2008	Hock					
7,396,078 B2	7/2008	Weber et al.					
7,406,733 B2	8/2008	Coffield et al.					

### FOREIGN PATENT DOCUMENTS

DE	4135603	5/1992
EP	210710	2/1987
JP	06269330	9/1994
WO	WO 2004/037046	5/2004

### OTHER PUBLICATIONS

U.S. Appl. No. 12/422,821, filed Apr. 13, 2009; Richard D. Smith; Notice of Allowance issued Jul. 7, 2011.  
 U.S. Appl. No. 12/422,801, filed Apr. 13, 2009; Richard D. Smith; Notice of Allowance issued Jul. 13, 2011.

# US D660,612 S

Page 5

U.S. Appl. No. 12/422,792, filed Apr. 13, 2009; Richard D. Smith; Notice of Allowance issued Jul. 17, 2011.

U.S. Appl. No. 29/346,705, filed Nov. 4, 2009; Richard D. Smith; Notice of Allowance issued Jul. 18, 2011.

Smith, Richard et al., U.S. Appl. No. 29/346,705, filed Nov. 4, 2009.

Smith, Richard et al., U.S. Appl. No. 12/757,218, filed Apr. 9, 2010.

Smith, Richard et al., U.S. Appl. No. 12/755,954, filed Apr. 7, 2010.

Smith, Richard et al., U.S. Appl. No. 12/755,995, filed Apr. 7, 2010.

Aeron chairs, Herman Miller aeron chair, aeron loaded chairs & aeron chair accesso . . . , www.hermanmillerseating.com/aeron%AE-C79906.html?refid=G2772.%22herman...accessed Jan. 29, 2009, 4 pages.

DuraMesh Folding Chair, KI A versatile folding chair with a comfortable, durable mesh seat, www.ki.com, accessed Oct. 2009, 2 pages.

Ergo Mesh Folding Guest Chair (Set of 2) from Overstock.com, www.overstock.com/Office-Furniture/Ergo-Mesh-Folding-Guest-Chair-Set of 2/308..., accessed Jan. 29, 2009 3 pages.

Herman Miller—for buisness—aeron chairs, www.hermanmiller.com/CDA/SSA/Product/1,1592,a10-c440-p8,00.html, accessed Jan. 29, 2009, 4 page.

Herman Miller for business—Mirra Chairs, www.hermanmiller.com/CDA/SSA/Product?0,,a10-c440-p205,00.html, accessed Apr. 8, 2009, 3 pages.

Home Alexander Folding Rockers Set of 2: Target, www.target.com/Home-Alexander-Folding-Rockers-Set/dp/B001CS96AY/qid=1233...accessed Jan. 29, 2009, 4 pages.

Home wrought iron fold chair—set of 4: Target, www.target.com/Home-Wrought-Iron-Fold-Chari/dp/B001IZS8WS/qid=123326645...,accessed Jan. 29, 2009 2 pages.

http://sstores.advancesinteriordesings.com/-strse-972/Mesh-Folding-Chair,-Suave/Detail.bok, Advances Interior Designs—Modern HHome and Office FUrnitue, accessed Oct. 2009, 1 page.

Mesh folding chair, mesh chairs, custom chairs, folding camp chairs, custom foldin . . . , www.staplespromotionalproducts.com/ProductDetail.aspx?id=358, accessed Jan. 29, 2009, 1 page.

U.S. Appl. No. 12/422,811, filed Apr. 13, 2009; Richard D. Smith; office action issued Jan. 24, 2011.

U.S. Appl. No. 12/422,821, filed Apr. 13, 2009; Richard D. Smith; office action issued Jan. 7, 2011.

U.S. Appl. No. 12/422,801, filed Apr. 13, 2009; Richard D. Smith; office action issued Jan. 19, 2011.

U.S. Appl. No. 29/346,705, filed Nov. 4, 2009; Richard D. Smith; office action issued Feb. 3, 2011.

U.S. Appl. No. 12/422,792, filed Apr. 13, 2009; Richard D. Smith; office action issued Jan. 19, 2011.

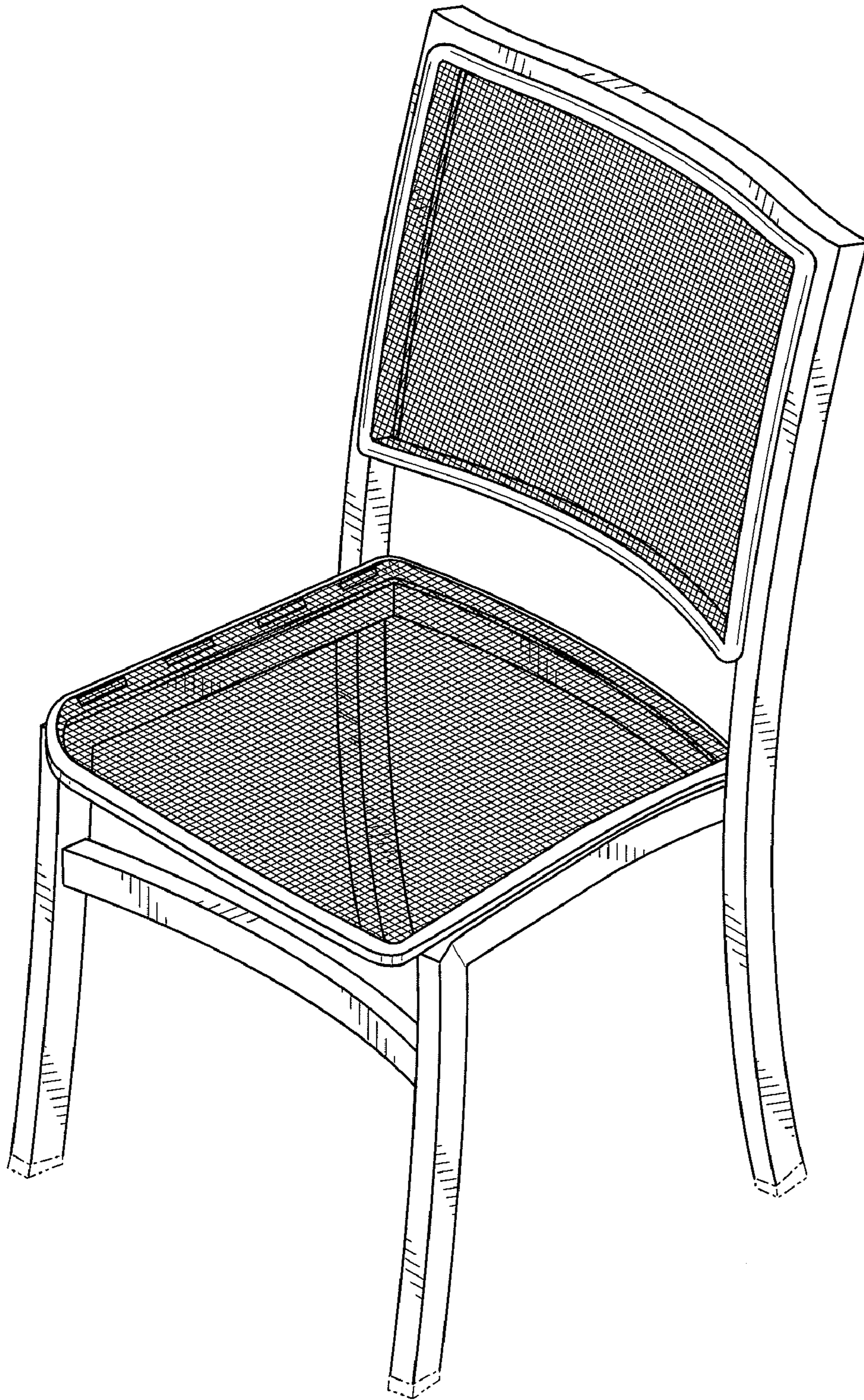
U.S. Appl. No. 12/612,252; filed Nov. 4, 2009; Richard D. Smith; Office Action issued Feb. 13, 2012.

U.S. Appl. No. 13/245,339; filed Sep. 26, 2011; Richard D. Smith; Office Action issued Jan. 19, 2012.

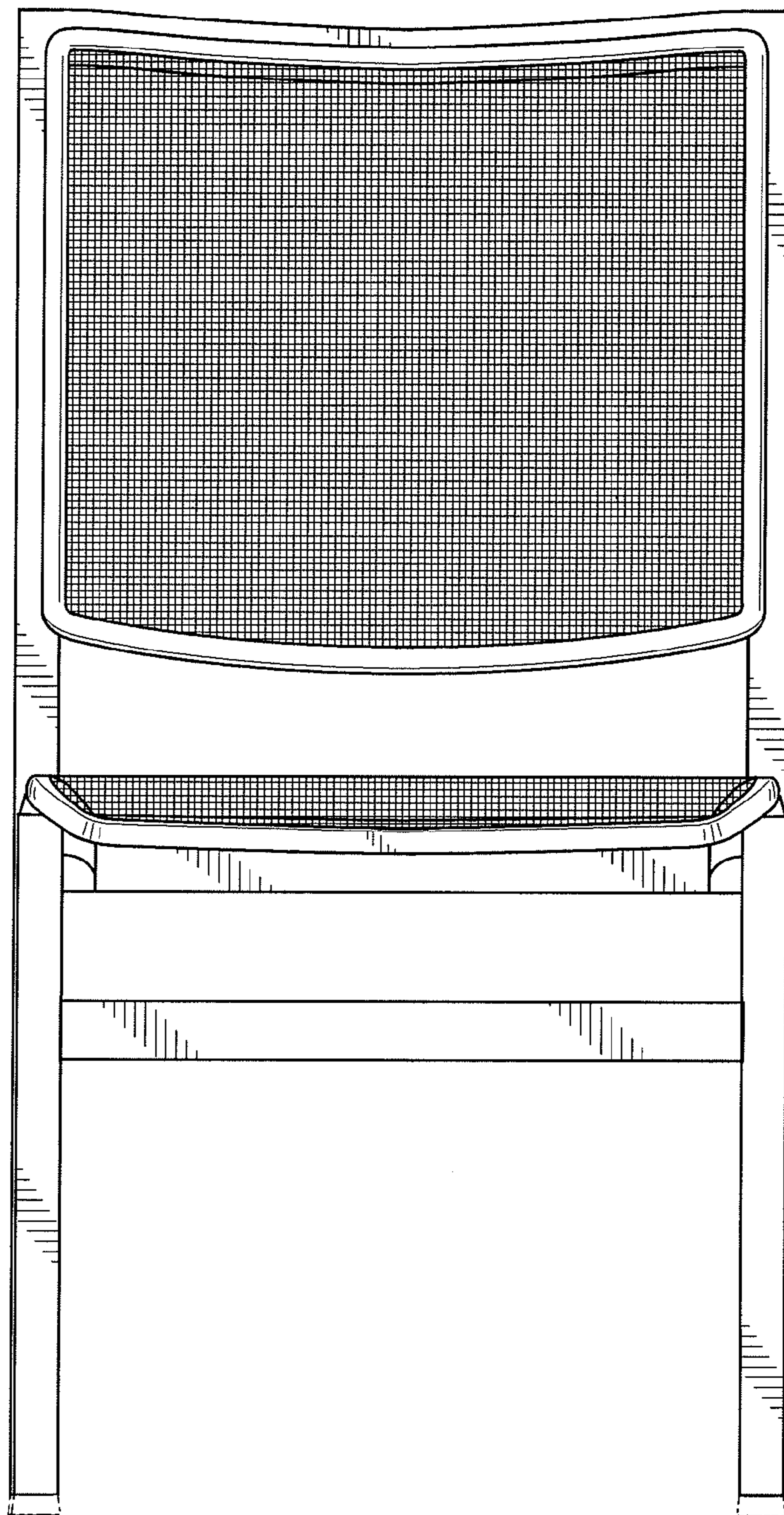
U.S. Appl. No. 12,612,257; filed Jan. 4, 2009; Richard D. Smith; Office Action issued Feb. 13, 2012.

\* cited by examiner



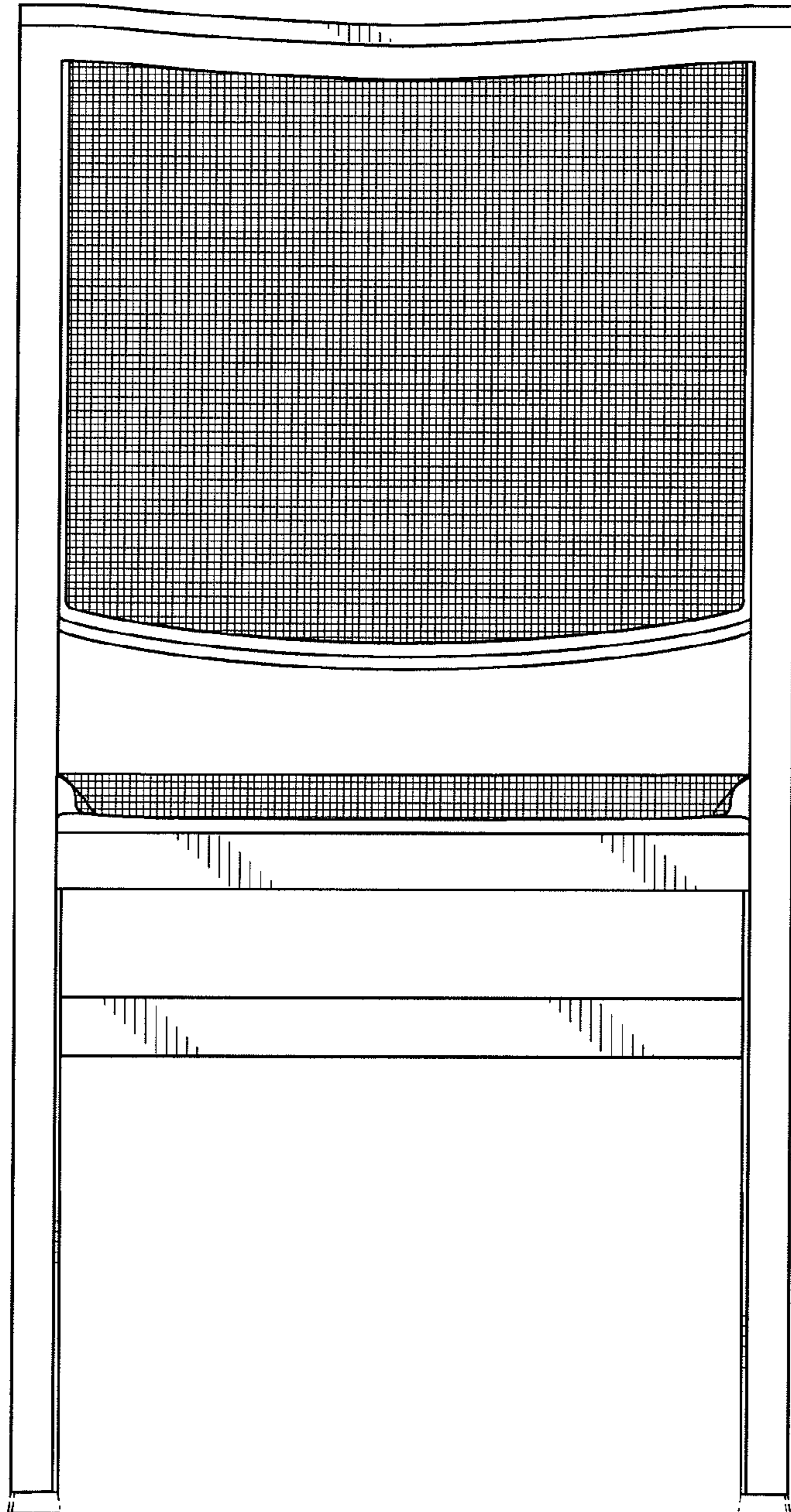


**FIG. 1**



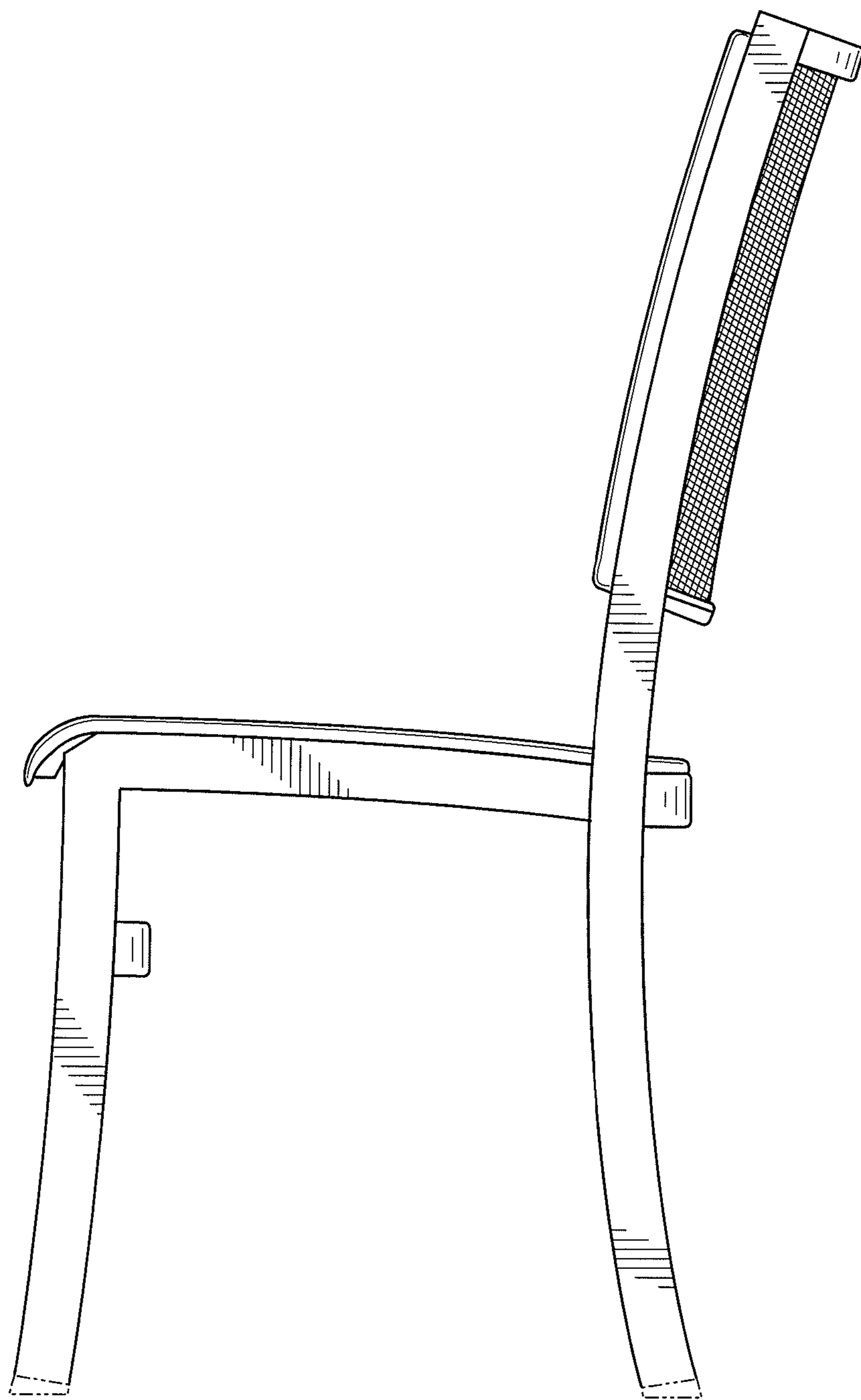
**FIG. 2**



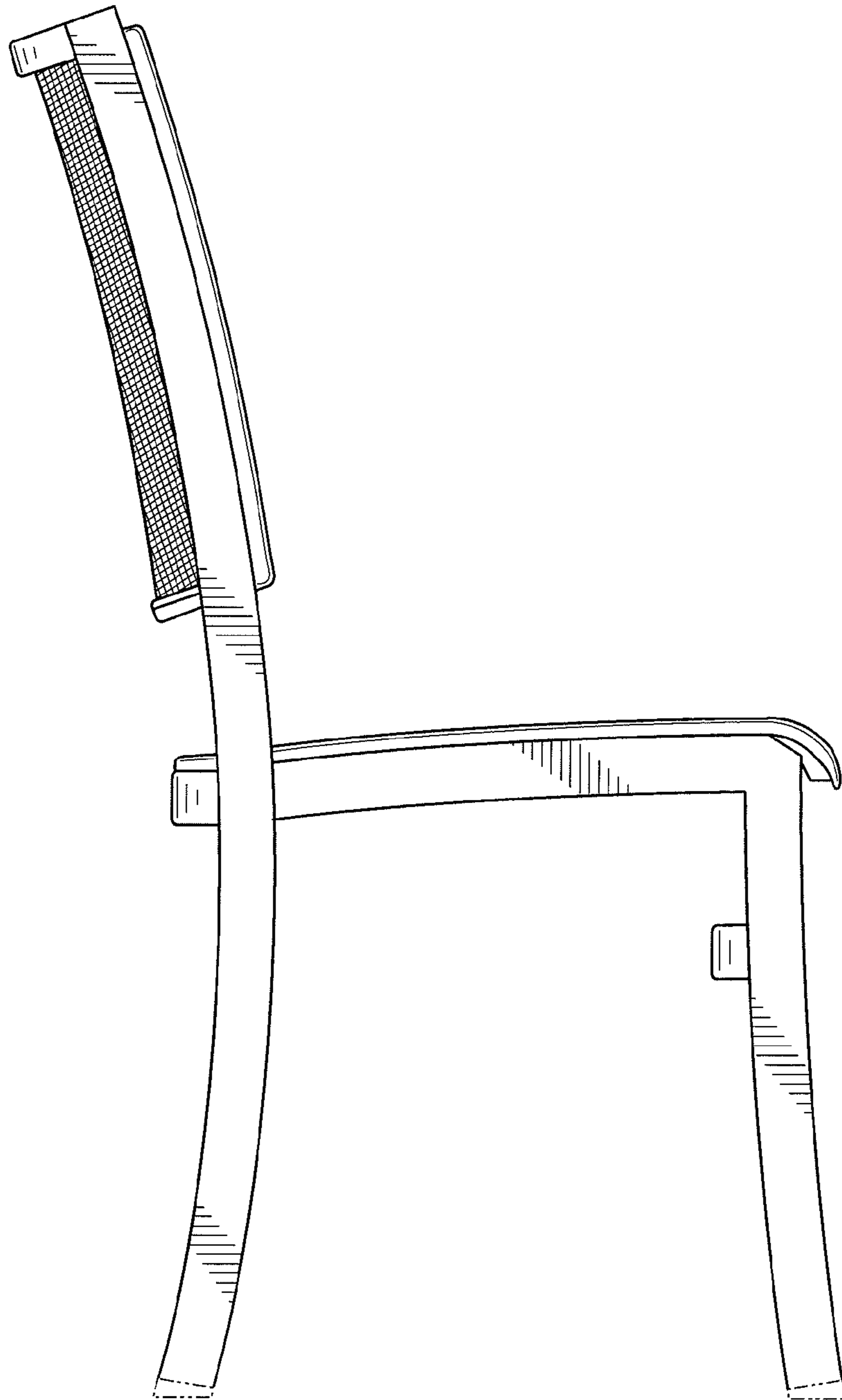


**FIG. 3**



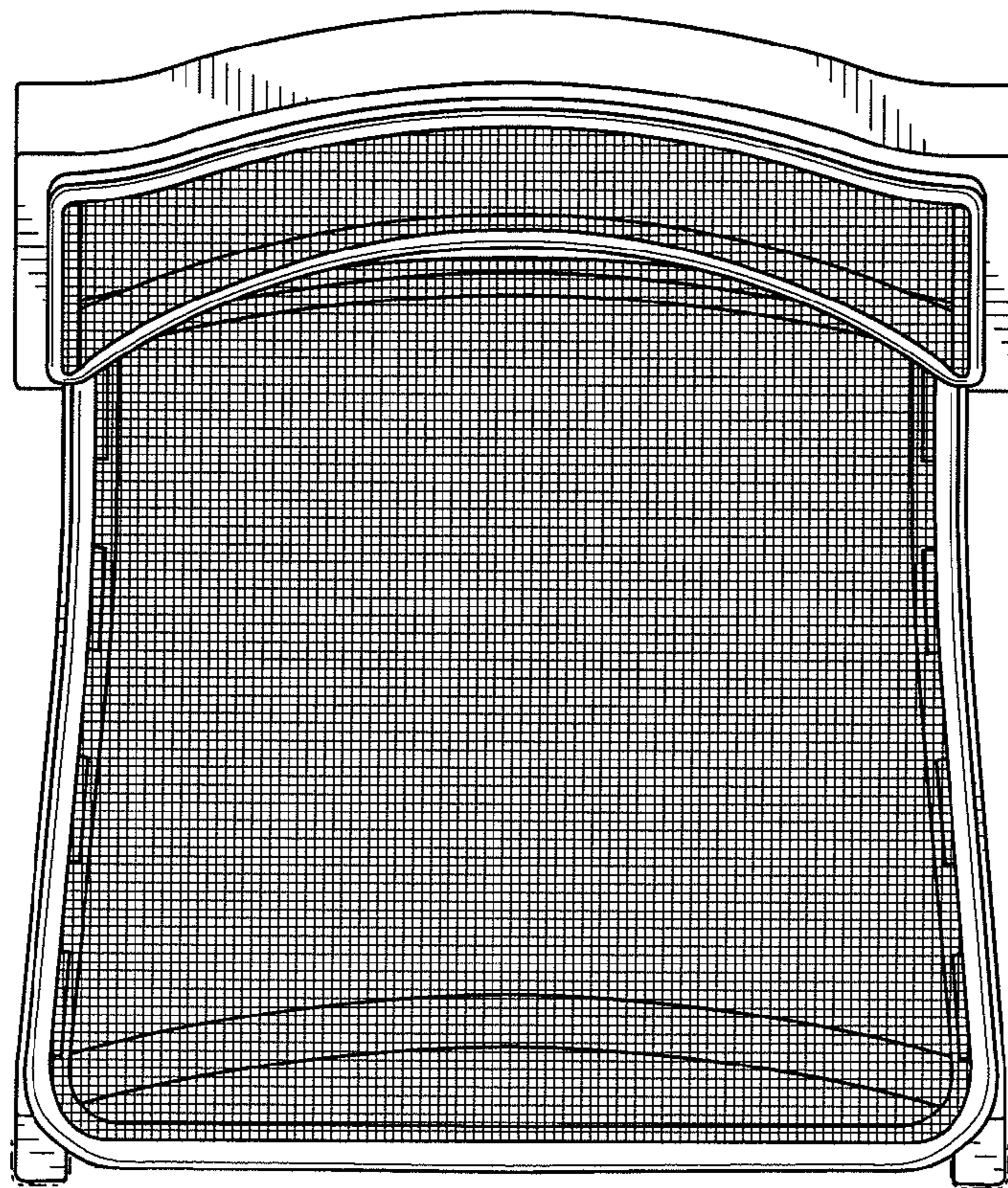


**FIG. 4**

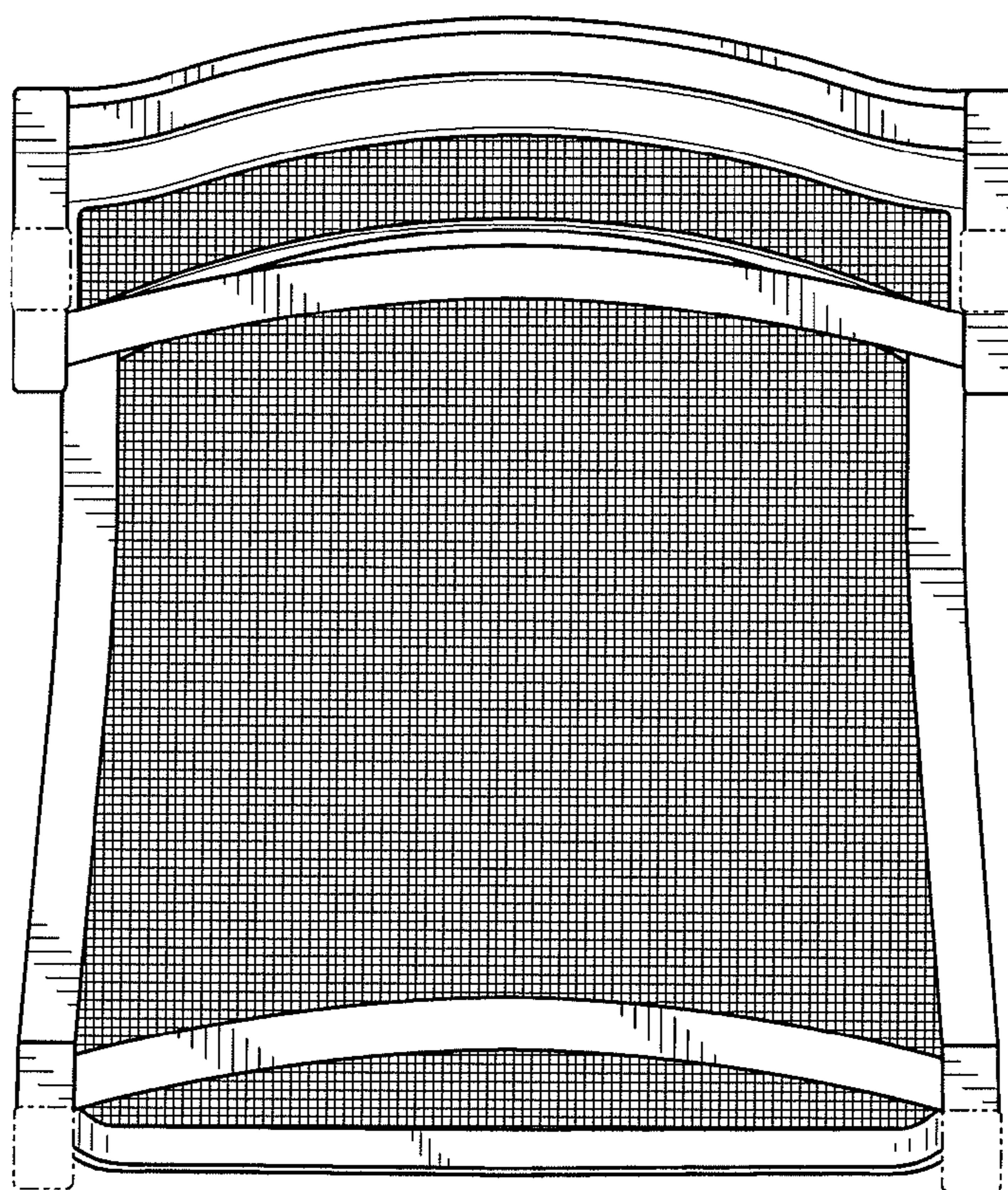


**FIG. 5**





**FIG. 6**



**FIG. 7**